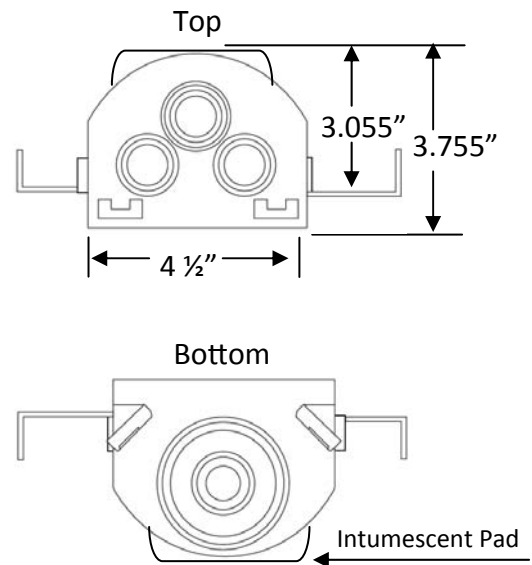
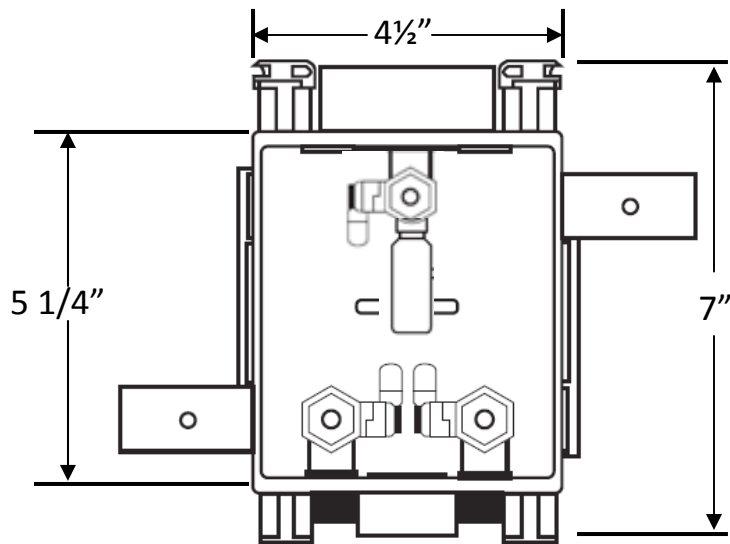




“FR” MultiBox™, Kitchen Box with Qtr. Turn Valves and Hammer Arrester Valve



Specification:

Furnish and install fire-rated MultiBox Kitchen Box, combination dishwasher/commercial ice & angle stop outlet box. Unit shall be Water-Tite product code checked below, as manufactured by IPS Corporation.

Box/Frame Material:

PVC & Intumescent Pad attached

Valves:

Lead free Qtr. Turn Valves with 3/8" Compression Outlet available for Sweat, CPVC, PEX or Wirsbo connection as checked below. Valves comply with ASME A112.18.1/CSA B125.1-05, NSF61-NSF/ANSI 372, and meets No Lead Plumbing Law. Arrester complies with ASSE 1010.

Available Accessories:

3 Universal Faceplates: Open, Solid and Louvered
Stabilizer Bar

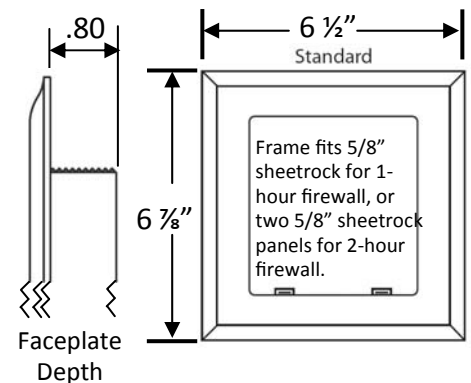
Certifications:



Boxes have been certified with the following ratings:

ASTM E814, 1 Hr (F), 41 Min (T) and 2 Hr (F), 101 Min (T)

CAN/ULC-S115-1 Hr (F/FH), 41 Min (FT/FTH) and 2 Hr (F/FH), 101 Min (FT/FTH)



✓	Product Code #	Model #	Product Description	Units/Case
	83314	FRASDW1200HA	FR Combination AS & DW-HA 3/8" Sweat	10
	83315	FRASDW1201HA	FR Combination AS & DW-HA 3/8" CPVC	10
	83316	FRASDW1202HA	FR Combination AS & DW-HA 3/8" F1807	10
	83317	FRASDW1211HA	FR Combination AS & DW-HA 3/8" F1960	10

