



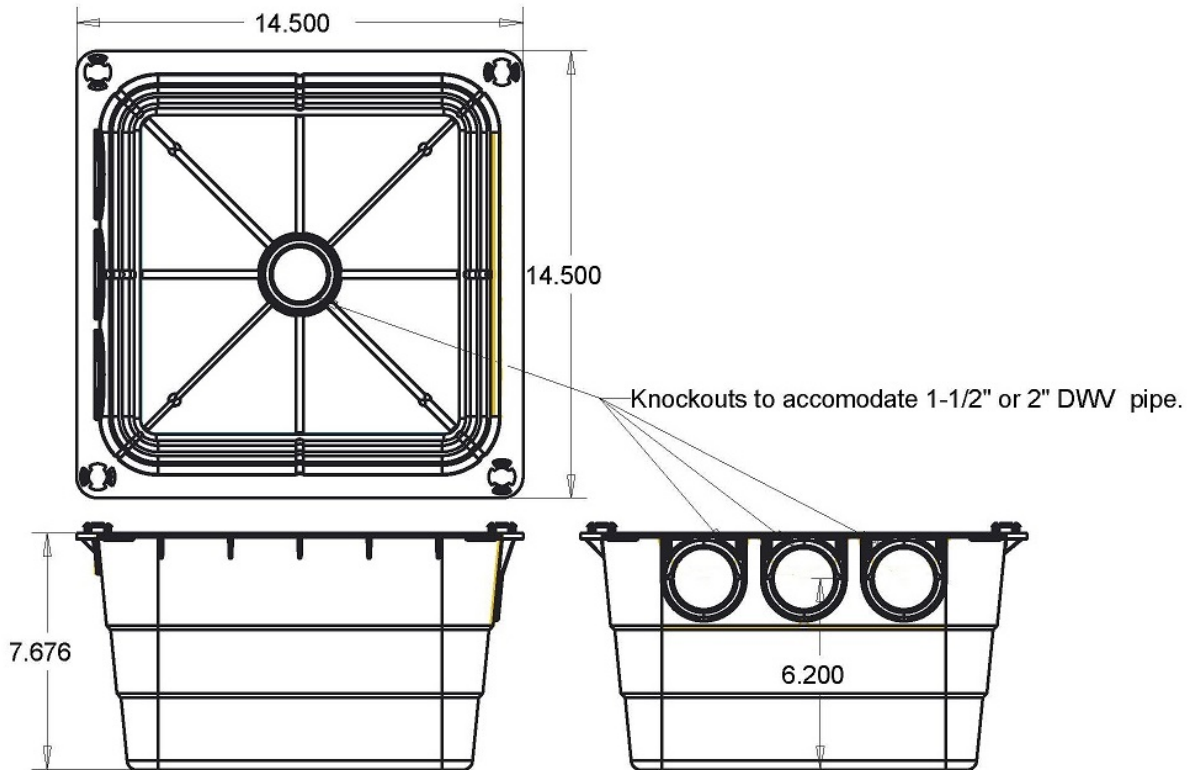
HEAVY DUTY TUB BOX

Specification:

Furnish and install Water-Tite Heavy Duty Tub Box to create access for tub trap and drain in slab foundation. No chiseling of concrete is required, simply Invert box over drain rough, pour slab and cut out box bottom prior to tub installation. Product shall be Water-Tite product code as listed below, manufactured by IPS Corporation.

FEATURES

- Injection Molded
- High Impact Plastic
- Pipe Knockouts are compatible with 1 1/2" and 2" Pipe
- Bottom Panel Scored for Easy Breakout



✓	Product Code #	Product Description	Model #	Units/Case
	83302	Heavy Duty Deep Box	TX3	5 pair

