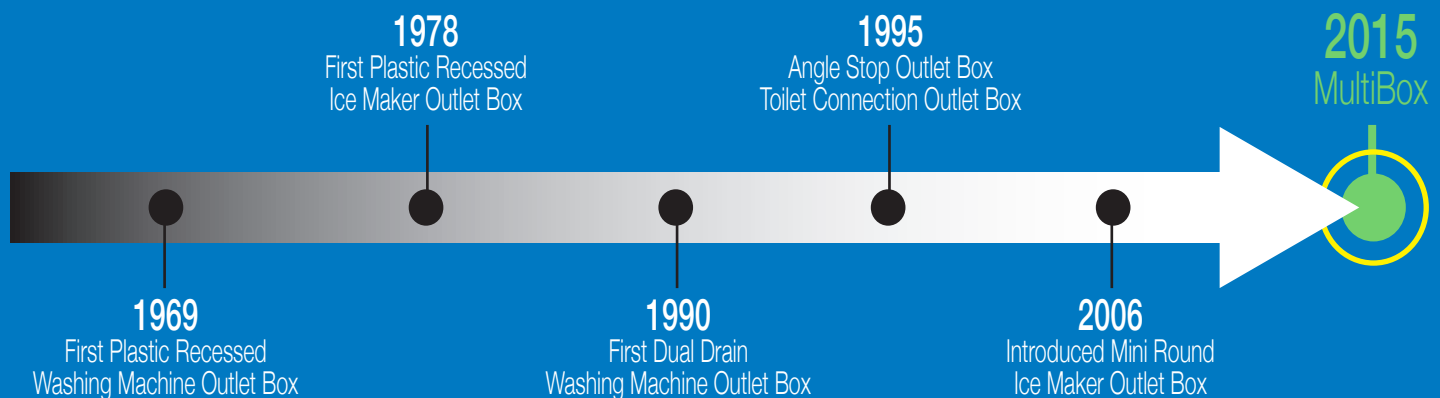




# MultiBox™ System



# QUALITY INNOVATION PERFORMANCE

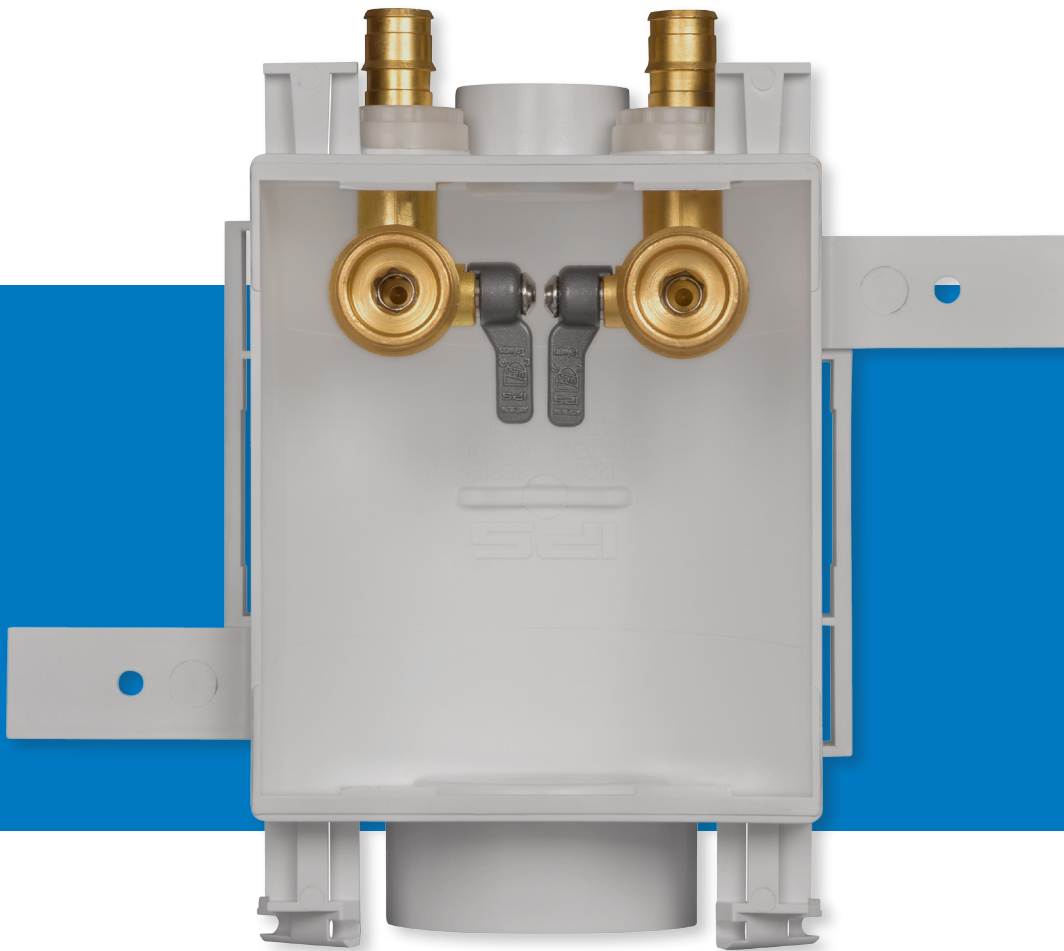


The Plumbing Professional can depend on the industry's widest offering of Outlet Boxes from Water-Tite to meet all their installation needs. Water-Tite brought you the first recessed, plastic Washing Machine Outlet Box, and now we're bringing you the most versatile and strongest box ever. The MultiBox™ can be installed in virtually any application to recess a plumbing connection.

Beginning in 1969, Water-Tite standardized laundry connections... then in 1978, Water-Tite revolutionized Ice Maker connections. Water-Tite's culture of innovation has continued to bring the professional plumber outlet boxes that help them do a better job, faster.

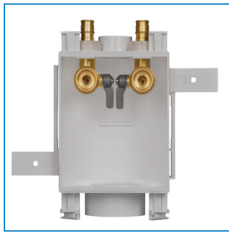
The Water-Tite brand has a 45 year legacy of innovation with efficiency of the plumber foremost in mind. Save time and money with products like the MultiBox, DU-ALL™ Washing Machine Outlet Box, 3N1® Roof Flashing, and Single Shot® clamp. Water-Tite is dedicated to continuing this tradition of innovation by bringing smart products to today's professional plumber.





**Water-Tite's MultiBox™ System** can be installed in multiple configurations, with numerous valve options, for the most stringent design specifications. As a single-box washing machine outlet box system, with top mount valves, to a three-box washing machine system including a Studor® Air Admittance Valve, **the MultiBox is the most versatile and robust choice of contractors.** The MultiBox™ Washing Machine Outlet Box can conveniently house both valves and a drain in the same box. Plus, for a system with separate valve and drain boxes, the MultiBox™ valve box can be piped to the DWV system to capture any hose leaks, maintaining an original purpose for recessed outlet boxes.

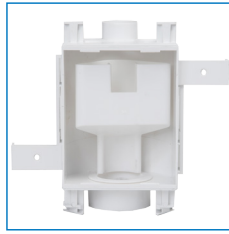
# Applications



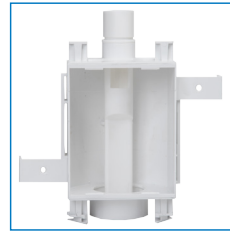
Washing Machine



Auxiliary Drain



Condensate Drain Adapter



Water Softener Drain Adapter



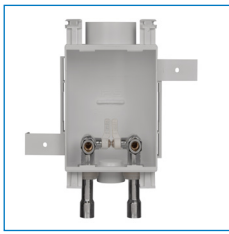
Ice Maker



Studor® Air Admittance Valve



Gas Outlet



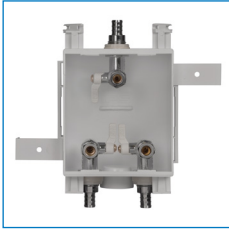
Angle Stop



Toilet Connection



Dishwasher/  
Commercial  
Ice Maker



Kitchen Box



Fire Rated Options

# Installation Configurations



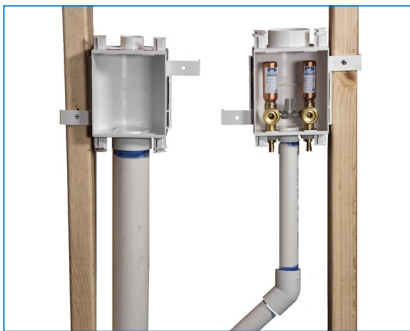
On Stud



Straddle Stud



Inside Stud Bay



Between Studs

(valve box piped to drain box to capture possible hose leaks - optional)



Corner



Three Box System

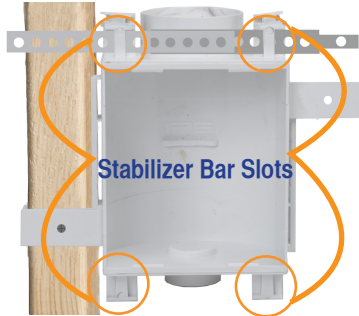
## Features

### Integrated Mounting Options:



Integrated Mounting Flanges

Mounting flanges - no clips to lose or hassle with



Stabilizer Bar Slots

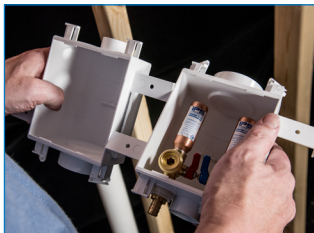
Top & bottom stabilizer bar slots



Nail Slots for Extra Support

Nail slots

### Attaching Multiple Boxes:



Hold boxes at an angle



Slide integrated mounting flanges into opposing box



Twist to secure

### Knock-outs:



○ Nine valve knock-outs



○ Two drain knock-outs  
 • 2" in standard washing machine drain  
 • Optional 1" to pipe valve box to DWV system



Integrated drain knock-outs will not fall down the drain after DWV test

### Raised Drip Guard:

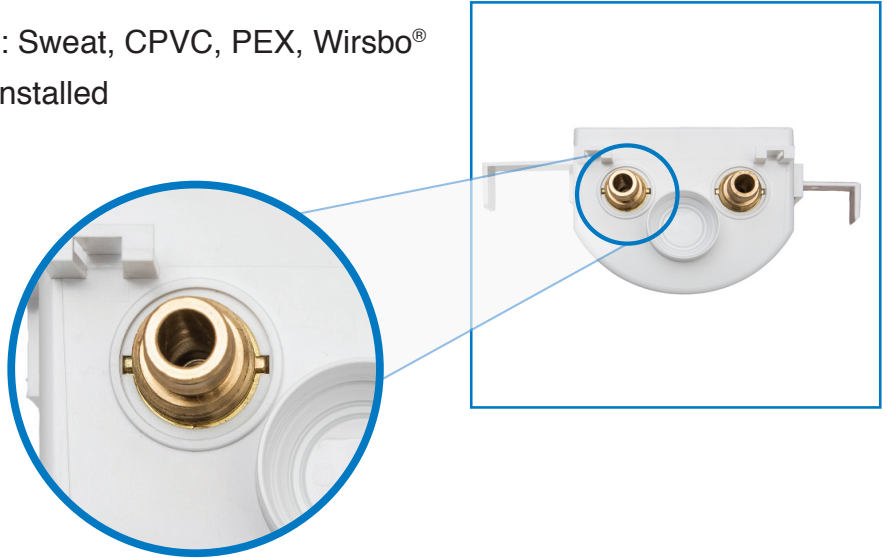
Raised drip guard captures hose leaks inside the box and sends them down the drain



Raised Drip Guards on Top and Bottom

# Valves

- Anti-rotational design; box and valves have integrated locking feature
- Forged brass valve bodies; provides superior strength and durability
- Easy to operate quarter-turn ball valve
- Valve options include: Standard and Hammer Arrester for Washing Machine and Ice Maker, and Angle Stop Valves
- Valve connection options include: Sweat, CPVC, PEX, Wirsbo®
- Boxes come with valves factory installed



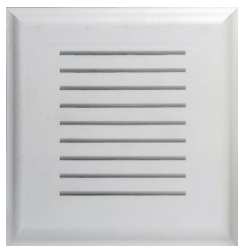
# Faceplates

- Available in Standard, Louvered or Solid
- Standard faceplate is available in an extra deep option
- Extra deep faceplate comes standard with Kitchen Box
- All faceplates fit any box configuration, including fire-rated
- All faceplates fit up to two sheets of 5/8" drywall
- Separate adapter NOT required for 2-hour fire wall



Standard Faceplate

Includes cable tie bosses to secure drain hose



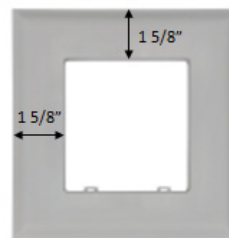
Louvered Faceplate

Ideal for Air Admittance Valves



Solid Faceplate

Ideal for main shut-off valves



Extra Large Faceplate

Trim flange provides extra 1" coverage for potential cabinet rough cuts



Top View

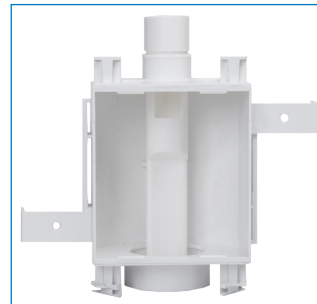
Three optional break lines allow for custom fit to cabinetry

## Accessories

Choose from two auxiliary drain adapters. Each is one piece, provides a 1" air gap and can be used with the washing machine drain hose.

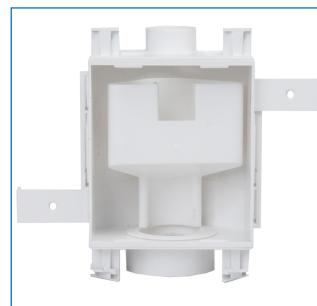
### Water Softener Drain Adapter

contains integral pipe retainer,  
can accommodate one drain line  
up to 7GPM



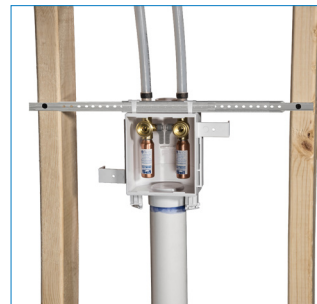
### Condensate Drain Adapter

snaps into drain box, can  
accommodate up to three  
auxiliary drain lines from low  
volume discharge appliances



### Adjustable Stabilizer Bar

Expands from 10" to 16"  
Adjustable stabilizer bar  
included with all contractor  
packs of Washing Machine  
Outlet Boxes and Ice Maker  
Outlet Boxes.



## Washing Machine Outlet Boxes, Single Box System



Product Code	Description	Model Number	UPC	Cu. Ft./ Case	Units/ Case	Lbs/ Case
<b>Standard Packs</b>						
82890	MultiBox WMOB TM Sweat Conx	MBS1200	012181-828908	1.49	10	14
82891	MultiBox WMOB TM CPVC Conx	MBS1201	012181-828915	1.49	10	12
82892	MultiBox WMOB TM F1807 Conx	MBS1202	012181-828922	1.49	10	10
82893	MultiBox WMOB TM F1960 Conx	MBS1211	012181-828939	1.49	10	13
<b>Contractor Packs</b>						
82894	MultiBox WMOB TM Sweat CP	MBS1200CP	012181-828946	2.30	10	14
82895	MultiBox WMOB TM CPVC CP	MBS1201CP	012181-828953	2.30	10	12
82896	MultiBox WMOB TM F1807 CP	MBS1202CP	012181-828960	2.30	10	11
82897	MultiBox WMOB TM F1960 CP	MBS1211CP	012181-828977	2.30	10	14
82953	MultiBox SingleLvr WMOB F1960 ConxCP	MBS1211SLCP	012181-829530	2.14	10	23
<b>Hammer Arresters</b>						
82898	MultiBox WMOB TM Sweat HA Conx	MBS1200HA	012181-828984	1.49	10	17
82899	MultiBox WMOB TM CPVC HA Conx	MBS1201HA	012181-828991	1.49	10	15
82900	MultiBox WMOB TM F1807 HA Conx	MBS1202HA	012181-829004	1.49	10	17
82901	MultiBox WMOB TM F1960 HA Conx	MBS1211HA	012181-829011	1.49	10	17
<b>Contractor Packs with Hammer Arresters</b>						
82902	MultiBox WMOB TM Sweat HA CP	MBS1200HACP	012181-829028	2.30	10	18
82903	MultiBox WMOB TM CPVC HA CP	MBS1201HACP	012181-829035	2.30	10	16
82904	MultiBox WMOB TM F1807 HA CP	MBS1202HACP	012181-829042	2.30	10	17
82905	MultiBox WMOB TM F1960 HA CP	MBS1211HACP	012181-829059	2.30	10	17



## Washing Machine Outlet Boxes with Auxiliary Drain Boxes



Product Code	Description	Model Number	UPC	Cu. Ft./ Case	Units/ Case	Lbs/ Case
<b>Standard Packs</b>						
82906	MultiBox WMOB Sweat Conx	MB1200	012181-829066	2.81	10	20
82907	MultiBox WMOB CPVC Conx	MB1201	012181-829073	2.81	10	18
82908	MultiBox WMOB F1807 Conx	MB1202	012181-829080	2.81	10	17
82909	MultiBox WMOB F1960 Conx	MB1211	012181-829097	2.81	10	20
<b>Contractor Packs</b>						
82910	MultiBox WMOB Sweat Conx CP	MB1200CP	012181-829103	4.33	10	21
82911	MultiBox WMOB CPVC Conx CP	MB1201CP	012181-829110	4.33	10	19
82912	MultiBox WMOB F1807 Conx CP	MB1202CP	012181-829127	4.33	10	18
82913	MultiBox WMOB F1960 Conx CP	MB1211CP	012181-829134	4.33	10	21
<b>Hammer Arresters</b>						
82914	MultiBox WMOB Sweat HA Conx	MB1200HA	012181-829141	2.81	10	24
82915	MultiBox WMOB CPVC HA Conx	MB1201HA	012181-829158	2.81	10	22
82916	MultiBox WMOB F1807 HA Conx	MB1202HA	012181-829165	2.81	10	24
82917	MultiBox WMOB F1960 HA Conx	MB1211HA	012181-829172	2.81	10	23
<b>Contractor Packs with Hammer Arresters</b>						
82918	MultiBox WMOB Sweat HA Conx CP	MB1200HACP	012181-829189	4.33	10	25
82919	MultiBox WMOB CPVC HA Conx CP	MB1201HACP	012181-829196	4.33	10	23
82920	MultiBox WMOB F1807 HA Conx CP	MB1202HACP	012181-829202	4.33	10	25
82921	MultiBox WMOB F1960 HA Conx CP	MB1211HACP	012181-829219	4.33	10	24
82954	MultiBox SingleLvr WMOB F1960 HA Conx CP	MB1211SLHACP	012181-829547	4.33	10	34





## Ice Maker Outlet Boxes



Product Code	Description	Model Number	UPC	Cu. Ft./ Case	Units/ Case	Lbs/ Case
Standard Packs						
82922	MultiBox IMOB Sweat Conx	AB1200	012181-829226	1.49	10	16
82923	MultiBox IMOB CPVC Conx	AB1201	012181-829233	1.49	10	15
82924	MultiBox IMOB F1807 Conx	AB1202	012181-829240	1.49	10	16
82925	MultiBox IMOB F1960 Conx	AB1211	012181-829257	1.49	10	16
Contractor Packs						
82926	MultiBox IMOB Sweat Conx CP	AB1200CP	012181-829264	2.30	10	11
82927	MultiBox IMOB CPVC Conx CP	AB1201CP	012181-829271	2.30	10	10
82928	MultiBox IMOB F1807 Conx CP	AB1202CP	012181-829288	2.30	10	11
82929	MultiBox IMOB F1960 Conx CP	AB1211CP	012181-829295	2.30	10	11
Hammer Arresters						
82930	MultiBox IMOB Sweat HA Conx	AB1200HA	012181-829301	1.49	10	12
82931	MultiBox IMOB CPVC HA Conx	AB1201HA	012181-829318	1.49	10	11
82932	MultiBox IMOB F1807 HA Conx	AB1202HA	012181-829325	1.49	10	12
82933	MultiBox IMOB F1960 HA Conx	AB1211HA	012181-829332	1.49	10	12
Contractor Packs with Hammer Arresters						
82934	MultiBox IMOB Sweat HA Conx CP	AB1200HACP	012181-829349	2.30	10	13
82935	MultiBox IMOB CPVC HA Conx CP	AB1201HACP	012181-829356	2.30	10	11
82936	MultiBox IMOB F1807 HA Conx CP	AB1202HACP	012181-829363	2.30	10	12
82937	MultiBox IMOB F1960 HA Conx CP	AB1211HACP	012181-829370	2.30	10	12



## Toilet Connection Boxes



Product Code	Description	Model Number	UPC	Cu. Ft./ Case	Units/ Case	Lbs/ Case
83183	MultiBox TCB 3/8" Valve Sweat	TC1200	012181-831830	1.49	10	10
83184	MultiBox TCB 3/8" Valve CPVC	TC1201	012181-831847	1.49	10	9
83185	MultiBox TCB 3/8" Valve F1807	TC1202	012181-831854	1.49	10	10
83186	MultiBox TCB 3/8" Valve F1960	TC1211	012181-831861	1.49	10	10

## Kitchen Boxes



Product Code	Description	Model Number	UPC	Cu. Ft./ Case	Units/ Case	Lbs/ Case
Standard Packs						
83195	MultiBox AS & DW 3/8" Sweat	ASDW1200	012181-831953	1.49	10	18
83196	MultiBox AS & DW 3/8" CPVC	ASDW1201	012181-831960	1.49	10	14
83197	MultiBox AS & DW 3/8" F1807	ASDW1202	012181-831977	1.49	10	17
83198	MultiBox AS & DW 3/8" F1960	ASDW1211	012181-831984	1.49	10	17
Hammer Arresters						
83199	MultiBox AS & DW-HA 3/8" Sweat	ASDW1200HA	012181-831991	1.49	10	19
83206	MultiBox AS & DW-HA 3/8" CPVC	ASDW1201HA	012181-832066	1.49	10	16
83207	MultiBox AS & DW-HA 3/8" F1807	ASDW1202HA	012181-832073	1.49	10	18
83208	MultiBox AS & DW-HA 3/8" F1960	ASDW1211HA	012181-832080	1.49	10	18



## Angle Stop Boxes



Product Code	Description	Model Number	UPC	Cu. Ft./ Case	Units/ Case	Lbs/
Standard Pack						
83187	MultiBox AS 3/8" Valve Sweat	AS1200	012181-831878	1.49	10	14
83188	MultiBox AS 3/8" Valve CPVC	AS1201	012181-831885	1.49	10	11
83189	MultiBox AS 3/8" Valve F1807	AS1202	012181-831892	1.49	10	13
83190	MultiBox AS 3/8" Valve F1960	AS1211	012181-831908	1.49	10	13
Hammer Arresters						
83209	MultiBox AS 3/8" Vlv Sweat HA	AS1200HA	012181-832097	1.49	10	13
83210	MultiBox AS 3/8" Vlv CPVC HA	AS1201HA	012181-832103	1.49	10	12
83213	MultiBox AS 3/8" Vlv F1807 HA	AS1202HA	012181-832134	1.49	10	13
83214	MultiBox AS 3/8" Vlv F1960 HA	AS1211HA	012181-832141	1.49	10	13

## Dishwasher/Commercial Ice Maker Outlet Boxes



Product Code	Description	Model Number	UPC	Cu. Ft./ Case	Units/ Case	Lbs/ Case
83191	MultiBox DW CommIce 3/8" Sweat	DW1200HA	012181-831915	1.49	10	12
83192	MultiBox DW CommIce 3/8" CPVC	DW1201HA	012181-831922	1.49	10	11
83193	MultiBox DW CommIce 3/8" F1807	DW1202HA	012181-831939	1.49	10	12
83194	MultiBox DW CommIce 3/8" F1960	DW1211HA	012181-831946	1.49	10	12

## Studor® Air Admittance Valve Box Kit



Product Code	Description	Model Number	UPC	Cu. Ft./ Case	Units/ Case	Lbs/ Case
82939	MultiBox Redi-Vent Kit	MBS1200AAV	012181-829394	1.49	10	10

## Gas Outlet Boxes



Product Code	Description	Model Number	UPC	Cu. Ft./ Case	Units/ Case	Lbs/ Case
82940	MultiBox 1/2" Gas Valve	MBG1212IP	012181-829400	1.49	10	17
82941	MultiBox 1/2" Gas Valve	MBG1212CSST	012181-829417	1.49	10	14
82942	MultiBox 3/4" Gas Valve	MBG1234IP	012181-829424	1.49	10	18

## Box Only



Product Code	Description	Model Number	UPC	Cu. Ft./ Case	Units/ Case	Lbs/ Case
82938	MultiBox Box Only Open Frame	MBS1200DB1	012181-829387	1.49	10	7
82948	MultiBox Box Only Solid Frame	MBS1200DB2	012181-829486	1.49	10	8
82949	MultiBox Box Only LouverdFrame	MBS1200DB3	012181-829493	1.49	10	8
Contractor Pack						
82952	MultiBox Box Only Open FrameCP	MBS1200DB1CP	012181-829523	2.14	10	7

## Auxilliary Drain Adapter



Product Code	Description	Model Number	UPC	Cu. Ft./ Case	Units/ Case	Lbs/ Case
82943	Aux Drain Adapter	MB1250AD	012181-829431	0.75	10	2

## Water Softener Drain Adapter



Product Code	Description	Model Number	UPC	Cu. Ft./ Case	Units/ Case	Lbs/ Case
82944	Water Softener Drain	MB1250WS	012181-829448	0.75	10	3

## Adjustable Stabilizer Bar



Product Code	Description	Model Number	UPC	Cu. Ft./ Case	Units/ Case	Lbs/ Case
86651	Adj. Stabilizer Bar for 16" Stud Bays	MBSSB	012181-86651	0.230	100	10

## Faceplates



Product Code	Description	Model Number	UPC	Cu. Ft./ Case	Units/ Case	Lbs/ Case
82945	MultiBox Faceplate Open	MBF1200	012181-829455	0.5	10	2
82946	MultiBox Faceplate Solid	MBF1211	012181-829462	0.5	10	2
82947	MultiBox Faceplate Louvered	MBF1222	012181-829479	0.5	10	2
82974	MultiBox Faceplate Open, Extra Deep	MBF1233	012181-829745	0.5	10	2
83182	MultiBox Faceplate Kit*	MBF1200K	012181-831823	0.5	4	5

\*Each kit includes (1) Standard, (1) Solid, and (1) Louvered faceplate

## Fire-Rated Washing Machine Outlet Boxes, Single Box System



Product Code	Description	Model Number	UPC	Cu. Ft./ Case	Units/ Case	Lbs/ Case
<b>Standard Packs</b>						
83036	FR MultiBox WMOB TM Sweat Conx	MBFRS1200	012181-830369	1.49	10	17
83037	FR MultiBox WMOB TM CPVC Conx	MBFRS1201	012181-830376	1.49	10	14
83038	FR MultiBox WMOB TM F1807 Conx	MBFRS1202	012181-830383	1.49	10	13
83039	FR MultiBox WMOB TM F1960 Conx	MBFRS1211	012181-830390	1.49	10	16
<b>Contractor Packs</b>						
83040	FR MultiBox WMOB TM Sweat CP	MBFRS1200CP	012181-830406	2.30	10	17
83041	FR MultiBox WMOB TM CPVC CP	MBFRS1201CP	012181-830413	2.30	10	15
83042	FR MultiBox WMOB TM F1807 CP	MBFRS1202CP	012181-830420	2.30	10	13
83043	FR MultiBox WMOB TM F1960 CP	MBFRS1211CP	012181-830437	2.30	10	16
<b>Hammer Arresters</b>						
83044	FR MultiBox WMOB TM Sweat HA	MBFRS1200HA	012181-830444	1.49	10	20
83045	FR MultiBox WMOB TM CPVC HA	MBFRS1201HA	012181-830451	1.49	10	18
83046	FR MultiBox WMOB TM F1807 HA	MBFRS1202HA	012181-830468	1.49	10	20
83047	FR MultiBox WMOB TM F1960 HA	MBFRS1211HA	012181-830475	1.49	10	19
<b>Contractor Packs with Hammer Arresters</b>						
83048	FR MultiBox WMOB TM Sweat HACP	MBFRS1200HACP	012181-830482	2.30	10	20
83049	FR MultiBox WMOB TM CPVC HACP	MBFRS1201HACP	012181-830499	2.30	10	18
83050	FR MultiBox WMOB TM F1807 HACP	MBFRS1202HACP	012181-830505	2.30	10	20
83051	FR MultiBox WMOB TM F1960 HACP	MBFRS1211HACP	012181-830512	2.30	10	20



## Fire-Rated Washing Machine Outlet Boxes and Auxiliary Drain Boxes



Product Code	Description	Model Number	UPC	Cu. Ft./ Case	Units/ Case	Lbs/ Case
<b>Standard Packs</b>						
83052	FR MultiBox WMOB Sweat Conx	MBFR1200	012181-830529	2.81	10	26
83053	FR MultiBox WMOB CPVC Conx	MBFR1201	012181-830536	2.81	10	23
83054	FR MultiBox WMOB F1807 Conx	MBFR1202	012181-830543	2.81	10	22
83055	FR MultiBox WMOB F1960 Conx	MBFR1211	012181-830550	2.81	10	25
<b>Contractor Packs</b>						
83056	FR MultiBox WMOB Sweat Conx CP	MBFR1200CP	012181-830567	4.33	10	27
83057	FR MultiBox WMOB CPVC Conx CP	MBFR1201CP	012181-830574	4.33	10	24
83058	FR MultiBox WMOB F1807 Conx CP	MBFR1202CP	012181-830581	4.33	10	23
83059	FR MultiBox WMOB F1960 Conx CP	MBFR1211CP	012181-830598	4.33	10	26
83321	FR MultiBox SnglLvr WMOB F1960 CP	MBFR1211SLCP	012181-833216	4.33	10	34
<b>Hammer Arresters</b>						
83060	FR MultiBox WMOB Sweat HA Conx	MBFR1200HA	012181-830604	2.81	10	29
83061	FR MultiBox WMOB CPVC HA Conx	MBFR1201HA	012181-830611	2.81	10	27
83062	FR MultiBox WMOB F1807 HA Conx	MBFR1202HA	012181-830628	2.81	10	29
83063	FR MultiBox WMOB F1960 HA Conx	MBFR1211HA	012181-830635	2.81	10	28
<b>Contractor Packs with Hammer Arresters</b>						
83064	FR MultiBox WMOB Sweat HACP	MBFR1200HACP	012181-830642	4.33	10	30
83065	FR MultiBox WMOB CPVC HACP	MBFR1201HACP	012181-830659	4.33	10	28
83066	FR MultiBox WMOB F1807 HACP	MBFR1202HACP	012181-830666	4.33	10	30
83067	FR MultiBox WMOB F1960 HACP	MBFR1211HACP	012181-830673	4.33	10	29
83325	FR MultiBox SnglLvr WMOB F1960 HA CP	MBFR1211SLHACP	012181-833254	4.33	10	34

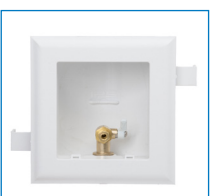


## Fire-Rated Auxiliary Drain Boxes



Product Code	Description	Model Number	UPC	Cu. Ft./ Case	Units/ Case	Lbs./ Case
83068	FR MultiBox Aux Drain Box Open	MBFRS1200DB1	012181-830680	1.49	10	10
83086	FR MultiBox Aux Drain Box Solid	MBFRS1200DB2	012181-830864	1.49	10	10
83087	FR MultiBox Aux Drain Box Louvd	MBFRS1200DB3	012181-830871	1.49	10	10

## Fire-Rated Ice Maker Outlet Boxes



Product Code	Description	Model Number	UPC	Cu. Ft./ Case	Units/ Case	Lbs./ Case
Standard Packs						
83069	FR MultiBox IMOB Sweat Conx	MBFRAB1200	012181-830697	1.49	10	13
83070	FR MultiBox IMOB CPVC Conx	MBFRAB1201	012181-830703	1.49	10	12
83071	FR MultiBox IMOB F1807 Conx	MBFRAB1202	012181-830710	1.49	10	13
83072	FR MultiBox IMOB F1960 Conx	MBFRAB1211	012181-830727	1.49	10	13
Contractor Packs						
83073	FR MultiBox IMOB Sweat Conx CP	MBFRAB1200CP	012181-830734	2.30	10	13
83074	FR MultiBox IMOB CPVC Conx CP	MBFRAB1201CP	012181-830741	2.30	10	12
83075	FR MultiBox IMOB F1807 Conx CP	MBFRAB1202CP	012181-830758	2.30	10	13
83076	FR MultiBox IMOB F1960 Conx CP	MBFRAB1211CP	012181-830765	2.30	10	13
Hammer Arresters						
83077	FR MultiBox IMOB Sweat HA Conx	MBFRAB1200HA	012181-830772	1.49	10	15
83078	FR MultiBox IMOB CPVC HA Conx	MBFRAB1201HA	012181-830789	1.49	10	14
83079	FR MultiBox IMOB F1807 HA Conx	MBFRAB1202HA	012181-830796	1.49	10	14
83080	FR MultiBox IMOB F1960 HA Conx	MBFRAB1211HA	012181-830802	1.49	10	14
Contractor Packs with Hammer Arresters						
83081	FR MultiBox IMOB Sweat HACP	MBFRAB1200HACP	012181-830819	2.30	10	15
83082	FR MultiBox IMOB CPVC HACP	MBFRAB1201HACP	012181-830826	2.30	10	14
83083	FR MultiBox IMOB F1807 HACP	MBFRAB1202HACP	012181-830833	2.30	10	15
83084	FR MultiBox IMOB F1960 HACP	MBFRAB1211HACP	012181-830840	2.30	10	15



## Fire-Rated Toilet Connection Boxes



Product Code	Description	Model Number	UPC	Cu. Ft./ Case	Units/ Case	Lbs./ Case
83088	FR MultiBox TCB 3/8" Vlv Sweat	FRTC1200	012181-830888	1.49	10	13
83089	FR MultiBox TCB 3/8" Vlv CPVC	FRTC1201	012181-830895	1.49	10	12
83090	FR MultiBox TCB 3/8" Vlv F1807	FRTC1202	012181-830901	1.49	10	13
83091	FR MultiBox TCB 3/8" Vlv F1960	FRTC1211	012181-830918	1.49	10	13

## Fire-Rated Kitchen Boxes



Product Code	Description	Model Number	UPC	Cu. Ft./ Case	Units/ Case	Lbs/ Case
Standard Packs						
83310	FR MultiBox AS & DW 3/8" Sweat	FRASDW1200	012181-833100	1.49	10	17
83311	FR MultiBox AS & DW 3/8" CPVC	FRASDW1201	012181-833117	1.49	10	14
83312	FR MultiBox AS & DW 3/8" F1807	FRASDW1202	012181-833124	1.49	10	17
83313	FR MultiBox AS & DW 3/8" F1960	FRASDW1211	012181-833131	1.49	10	16
Hammer Arresters						
83314	FR MultiBox AS & DW HA 3/8" Sweat	FRASDW1200HA	012181-833148	1.49	10	19
83315	FR MultiBox AS & DW HA 3/8" CPVC	FRASDW1201HA	012181-833155	1.49	10	16
83316	FR MultiBox AS & DW HA 3/8" F1807	FRASDW1202HA	012181-833162	1.49	10	18
83317	FR MultiBox AS & DW HA 3/8" F1960	FRASDW1211HA	012181-833179	1.49	10	18



## Fire-Rated Angle Stop Boxes



Product Code	Description	Model Number	UPC	Cu. Ft./ Case	Units/ Case	Lbs/ Case
Standard Packs						
83092	FR MultiBox AS 3/8" Vlv Sweat	FRAS1200	012181-830925	1.49	10	16
83093	FR MultiBox AS 3/8" Vlv CPVC	FRAS1201	012181-830932	1.49	10	14
83094	FR MultiBox AS 3/8" Vlv F1807	FRAS1202	012181-830949	1.49	10	16
83095	FR MultiBox AS 3/8" Vlv F1960	FRAS1211	012181-830956	1.49	10	16
Hammer Arresters						
83318	FR MultiBox AS 3/8" Vlv Sweat HA	FRAS1200HA	012181-833186	1.49	10	14
83319	FR MultiBox AS 3/8" Vlv CPVC HA	FRAS1201HA	012181-833193	1.49	10	12
83320	FR MultiBox AS 3/8" Vlv F1807 HA	FRAS1202HA	012181-833209	1.49	10	13
83322	FR MultiBox AS 3/8" Vlv F1960 HA	FRAS1211HA	012181-833223	1.49	10	13

## Fire-Rated Dishwasher/Commercial Ice Maker Outlet Boxes



Product Code	Description	Model Number	UPC	Cu. Ft./ Case	Units/ Case	Lbs/ Case
83096	FR MB DW CommIce 3/8" Sweat	FRDW1200HA	012181-830963	1.49	10	15
83097	FR MB DW CommIce 3/8" CPVC	FRDW1201HA	012181-830970	1.49	10	14
83098	FR MB DW CommIce 3/8" F1807	FRDW1202HA	012181-830987	1.49	10	14
83099	FR MB DW CommIce 3/8" F1960	FRDW1211HA	012181-830994	1.49	10	14

## Fire-Rated Studor® Air Admittance Valve Box Kit



Product Code	Description	Model Number	UPC	Cu. Ft./ Case	Units/ Case	Lbs/ Case
83085	FR MultiBox Redi-Vent Kit	MBFRS1200AAV	012181-830857	1.49	10	12

## Fire-Rated Gas Outlet Boxes



Product Code	Description	Model Number	UPC	Cu. Ft./ Case	Units/ Case	Lbs/ Case
83347	FR MultiBox 1/2" Gas Valve	FRMBG1212IP	012181-833476	1.49	10	17
83348	FR MultiBox 1/2" Gas Valve	FRMBG1212CSST	012181-833483	1.49	10	14
83349	FR MultiBox 3/4" Gas Valve	FRMBG1234IP	012181-833490	1.49	10	18



[Scan to watch Feature Video](#)



[Scan to watch Installation Video](#)

# IPS<sup>®</sup> CORPORATION

500 Distribution Parkway  
Collierville, TN 38017  
ipscorp.com  
plumbing@ipscorp.com  
800-888-8312  
901-853-5008 fax

