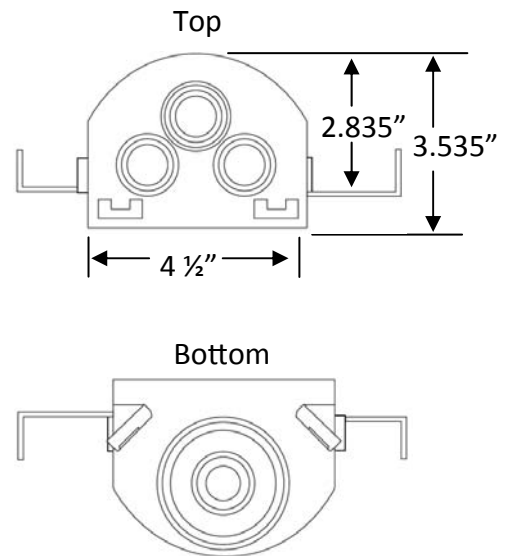
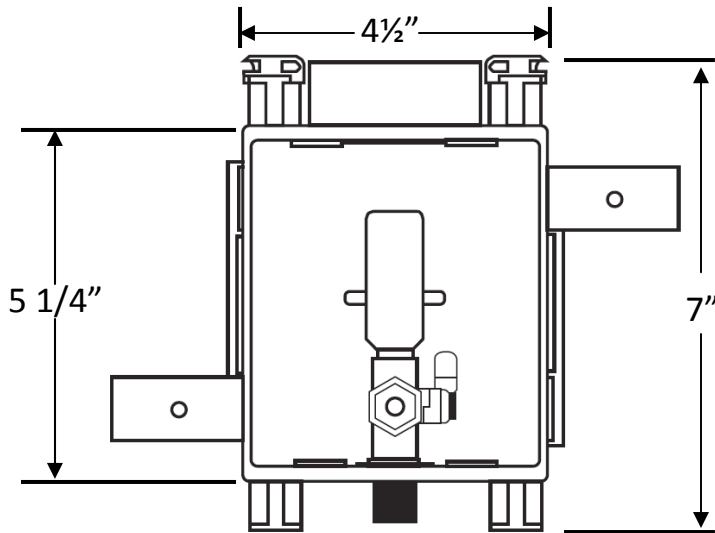




MultiBox™, Ice Maker Outlet Box System
with Quarter Turn Arrester Valve



Specification:

Furnish and install MultiBox Ice Maker Outlet Box. Unit shall be Water-Tite product code checked below, as manufactured by IPS Corporation.

Box Material:

PVC

Valve:

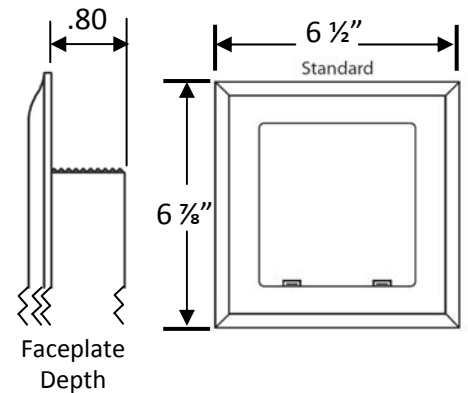
Lead free Qtr. Turn Valve with Sweat, CPVC, PEX or Wirsbo connection as checked below. Valve complies with ASME A112.18.1/CSA B125.1-05, NSF61-NSF/ANSI 372, and meets California No Lead Plumbing Law. Arrester complies with ASSE 1010.

Available Accessories:

3 Universal Faceplates: Open, Solid and Louvered
Stabilizer Bar

Certifications:

Box 
Valve  



✓	Product Code #	Model #	Product Description	Units/Case
	82930	AB1200HA	IMOB, Qtr-turn Arrester Valve, 1/2" Sweat Connection	10
	82931	AB1201HA	IMOB, Qtr-turn Arrester Valve, 1/2" CPVC Connection	10
	82932	AB1202HA	IMOB, Qtr-turn Arrester Valve, 1/2" PEX Connection	10
	82933	AB1211HA	IMOB, Qtr-turn Arrester Valve, 1/2" Wirsbo Connection	10
Contractor Packs				
	82934	AB1200HACP	IMOB, Qtr-turn Arrester Valve, 1/2" Sweat Connection, CP	10
	82935	AB1201HACP	IMOB, Qtr-turn Arrester Valve, 1/2" CPVC Connection, CP	10
	82936	AB1202HACP	IMOB, Qtr-turn Arrester Valve, 1/2" PEX Connection, CP	10
	82937	AB1211HACP	IMOB, Qtr-turn Arrester Valve, 1/2" Wirsbo Connection, CP	10

