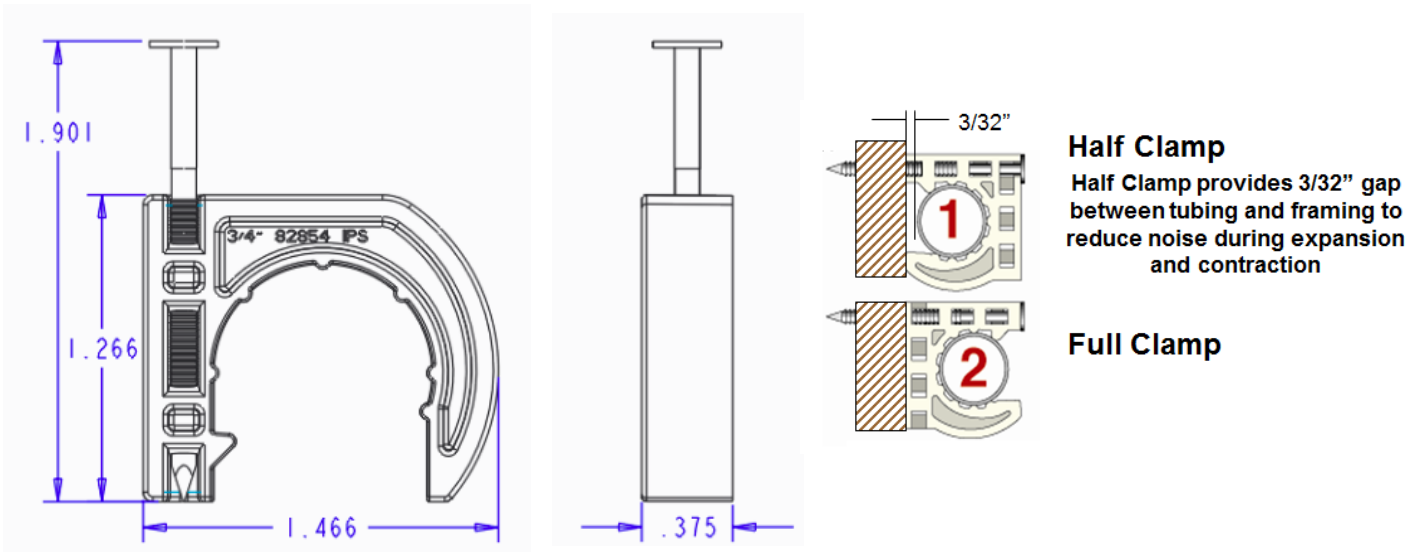




RIGHT STRAP™

Specifications:

Furnish and install Water-Tite Right Strap through a stud or hanging below a ceiling or basement floor joist to allow for expansion and contraction of supply tubing. RightStrap Multi-Functional Pipe Clamp supports copper, PEX, polybutylene and ideally isolates CPVC tubing from wood framing. Right Strap can be used as a Half Clamp or Full Clamp. Unit shall be Water-Tite product code as checked below, manufactured by IPS Corporation.



✓ Product Code	Product Description	UNITS/ CASE
82852	Supports 1/2" CTS, with Preloaded Nail (50/Bag)	2000
82854	Supports 3/4" CTS, with Preloaded Nail (50/Bag)	1000
82856	Supports 1" CTS, with Preloaded Nail (50/Bag)	500
Display Packs		
82841	Supports 1/2" CTS, with Preloaded Nail (5/Bag)	10
82842	Supports 3/4" CTS, with Preloaded Nail (5/Bag)	10

