

## 5000 Series Zone Valves

### V8043 QUICKFIT®

#### SUBMITTAL SHEET

### APPLICATION

Use this valve in closed loop hydronic systems that do not contain dissolved oxygen in system water, such as fresh water from frequent source of makeup water. Valve designed for cycling (not constantly powered on) applications.

QuickFit® actuator provides an easy snap on and off connection to the valve assembly.

### SPECIFICATIONS

**Application:** Hydronic Control

**Type:** 2 Position

**Body Pattern:** Two-way, Straight-Through

**Voltage:** 24 Vac

**Power Consumption:** 7.2 Va

**Frequency:** 60 Hz

**De-energized Position:** Normally Closed

**Maximum Ambient Temperature:** 125 F (52 C)

**Nominal Timing (sec, min):** 15 sec

**Static Pressure:** 300 Psi (2068 kPa)

**Warranty:** 3 year limited warranty

### MODELS

**V8043 (Straight-Through, Normally Closed)**

V8043A: Leadwires

V8043E: Leadwires and End Switch

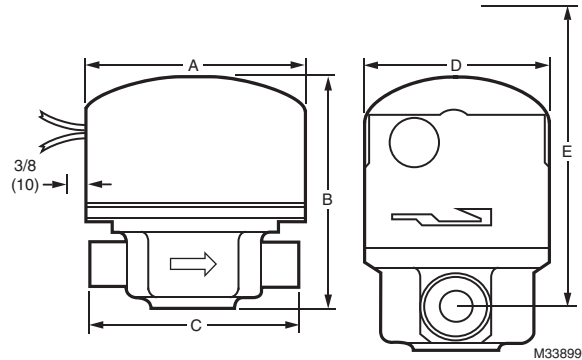
V8043F: Terminal Board and End Switch

### Valve Materials

Body	Brass
Stem	Stainless Steel
Seat	Brass
Packing O-Ring	EPDM Rubber
Ball Plug	Buna-N (NBR) Rubber Ball

### Actuator Materials

Case	Brass
Cover	Stainless Steel
Sector Gears	Brass



### Dimensions

Product Number	Dimensions				
	A	B	C	D	E
V8043A5011	3 1/2"	4"	3 1/8"	2 3/8"	5 1/4"
V8043A5029	3 1/2"	4"	3 1/2"	2 3/8"	5 1/4"
V8043E5004	3 1/2"	4"	3 1/8"	2 3/8"	5 1/4"
V8043E5012	3 1/2"	4"	3 1/2"	2 3/8"	5 1/4"
V8043E5020	3 1/2"	4"	3 11/16"	2 3/8"	5 1/4"
V8043E5061	3 1/2"	4"	3 1/2"	2 3/8"	5 1/4"
V8043E5079	3 1/2"	4"	3 11/16"	2 3/8"	5 1/4"
V8043F5036	3 1/2"	4"	3 1/2"	2 3/8"	5 1/4"
V8043F5051	3 1/2"	4"	3 11/16"	2 3/8"	5 1/4"
V8043F5093	3 1/2"	4"	3 1/2"	2 3/8"	5 1/4"

### Maximum Close-Off Pressure & Capacity

Product number	Max Pressure		Capacity	
	Psi	kPa	Cv	Kv
V8043A5011	20	138	3.5	3
V8043A5029	20	138	3.5	3
V8043E5004	20	138	3.5	3
V8043E5012	20	138	3.5	3
V8043E5020	20	138	3.5	3
V8043E5061	8	55	8	6.9
V8043E5079	8	55	8	6.9
V8043F5036	20	138	3.5	3
V8043F5051	20	138	3.5	3
V8043F5093	8	55	8	6.9

Job Name \_\_\_\_\_  
 Engineer \_\_\_\_\_  
 Mechanical Contractor \_\_\_\_\_  
 Contractor's P.O. No. \_\_\_\_\_  
 Representative \_\_\_\_\_  
 Notes \_\_\_\_\_

#### Model(s)

\_\_\_\_\_ Qty. \_\_\_\_\_ Notes \_\_\_\_\_  
 \_\_\_\_\_ Qty. \_\_\_\_\_ Notes \_\_\_\_\_  
 \_\_\_\_\_ Qty. \_\_\_\_\_ Notes \_\_\_\_\_

#### Approval

\_\_\_\_\_

#### Service

\_\_\_\_\_

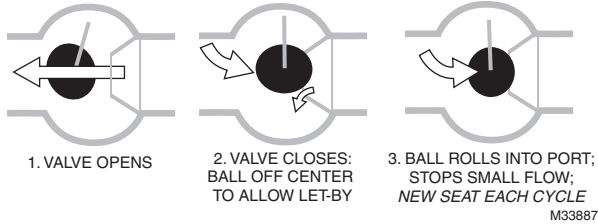
#### Tag No.

\_\_\_\_\_



# BALL VALVE

The 5000 Series Zone Valves use a NBR rubber ball instead of a flange to create a seal. Using a ball versus the traditional flange provides a new sealing surface each time the valve operates, producing a quality seal and significantly increasing service life.



# ADDITIONAL SPECIFICATIONS

**Actuator Electrical Rating:** 24Vac 60 Hz, 0.30 A Current Draw; 5 W, 7.2 VA maximum

**End Switch Rating:** 120 V, 4.4 A running with 26.4 A inrush (60Hz). Pilot duty 50 VA at 24 V

**Humidity Rating:** 5-95% RH (non-condensing)

**Atmosphere:** non-corrosive, non-explosive

**Timing:**  
V8043: Open or close in 15 seconds max.

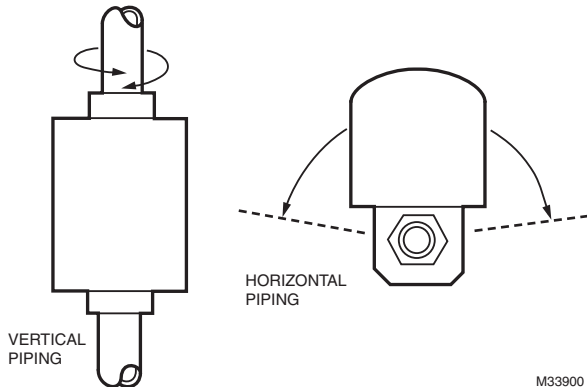
**Fluid Temperature Range:** 50 F to 200 F (10 C to 93 C)

**Manual Opener:** Manual opener allows opening the valve in case of power failer. Valve returns to automatic position when power is restored.

**Approvals:**  
Canadian Standards Association: CSA C/US  
Underwriters Laboratories, Inc.

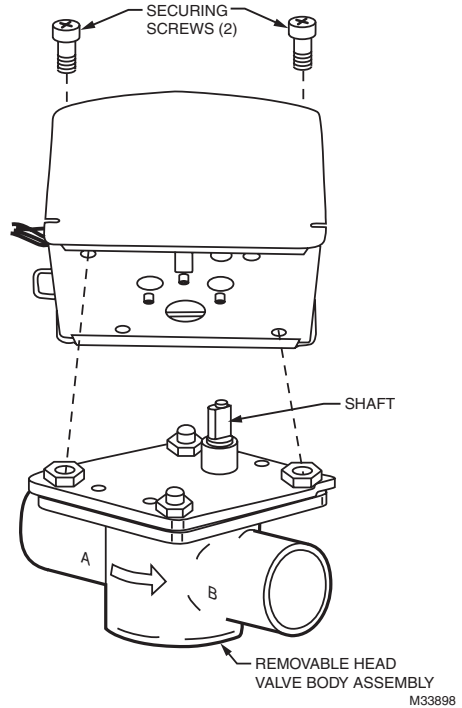
# MOUNTING

The valve can be mounted in any position on a vertical line. See the figure below. If the valve is mounted horizontally, the powerhead must be even with or above the center line of the piping. Make sure to leave enough room above the powerhead to remove the cover for servicing.



# SERVICING 1000 SERIES ZONE VALVES

Install a 5000 Series actuator on a 1000 series valve body. The 5000 Series replacement actuator is backward compatible with the 1000 series zone valve.



For install instructions refer to literature number 67-7184.

# V8043 5000 Series Part Numbers

Product Number	Pipe Size	Connection Type	Electrical Connections	End Switch	Manual Opener
V8043A5011	1/2"	Sweat	18 in. leads (457 mm leads)	—	Yes
V8043A5029	3/4"	Sweat	18 in. leads (457 mm leads)	—	Yes
V8043E5004	1/2"	Sweat	18 in. leads (457 mm leads)	SPST	Yes
V8043E5012	3/4"	Sweat	18 in. leads (457 mm leads)	SPST	Yes
V8043E5020	1"	Sweat	18 in. leads (457 mm leads)	SPST	Yes
V8043E5061	3/4"	Sweat	18 in. leads (457 mm leads)	SPST	Yes
V8043E5079	1"	Sweat	18 in. leads (457 mm leads)	SPST	Yes
V8043F5036	3/4"	Sweat	Screw Terminal Block	SPST	Yes
V8043F5051	1"	Sweat	Screw Terminal Block	SPST	Yes
V8043F5093	3/4"	Sweat	Screw Terminal Block	SPST	Yes

# 1000 Series Zone Valves

## V8043 LOW VOLTAGE NORMALLY OPEN/CLOSED

### SUBMITTAL SHEET

### APPLICATION

Use this valve in closed loop hydronic systems that do not contain dissolved oxygen in system water, such as fresh water from frequent source of makeup water. Valve designed for cycling (not constantly powered on) applications.

### SPECIFICATIONS

**Application:** Hydronic Control

**Type:** 2 Position

**Body Pattern:** Two-way, Straight-Through

**Voltage:** 24 Vac

**Power Consumption:** 7.7 Va

**Nominal Timing (sec, min):** 15 sec

**Static Pressure:** 125 Psi (862 kPa)

**Maximum Ambient Temperature:** 125 F (52 C)

**Warranty:** 1 year limited warranty

#### Normally Open Models

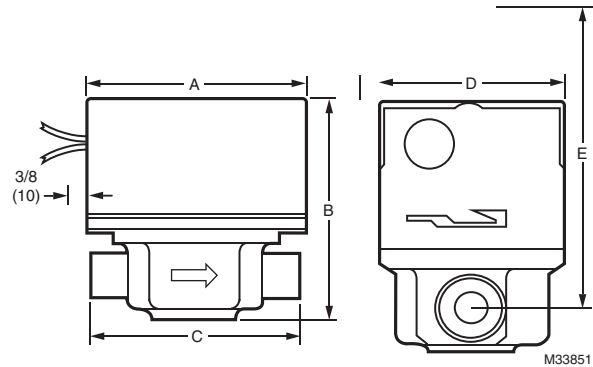
Valve Action	Spring Return to Open
Fluid Temperature Range	40 F to 200 F (5 C to 93 C)
Frequency	60 Hz
Manual Opener	No

#### Normally Closed Models

Valve Action	Spring Return to Close
Fluid Temperature Range	50 F to 200 F (10 C to 93 C)
Frequency	50 Hz, 60 Hz
Manual Opener	Yes

#### Materials

Body	Brass
Stem	Stainless Steel
Seat	Brass
Packing O-Ring	EPDM Rubber
Ball Plug	Buna-N (NBR) Rubber Ball



#### Dimensions

Connection Type	Dimensions				
	A	B	C	D	E
1/2" Sweat	3 1/2"	4"	3 1/8"	2 3/8"	5 1/4"
3/4" Sweat	3 1/2"	4"	3 1/2"	2 3/8"	5 1/4"
1" Sweat	3 1/2"	4"	3 11/16"	2 3/8"	5 1/4"
1/2" Flare	3 1/2"	4"	4 11/16"	2 3/8"	5 1/4"
1/2" Inverted Flare	3 1/2"	4"	3 5/8"	2 3/8"	5 1/4"
1/2" Threaded	3 1/2"	4"	3 23/32"	2 3/8"	5 1/4"
3/4" Threaded	3 1/2"	4"	3 23/32"	2 3/8"	5 1/4"
1" Threaded	3 1/2"	4"	3 23/32"	2 3/8"	5 1/4"

#### Maximum Close-Off Pressure & Capacity

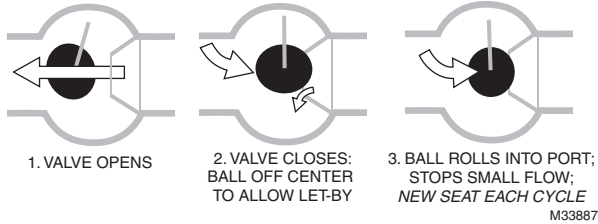
Connection Type	Max Pressure		Capacity	
	Psi	kPa	Cv	Kv
1/2" Sweat	20	138	3.5	3
3/4" Sweat	20	138	3.5	3
3/4" Sweat - V804E1061, V804F1093 only	8	55	8	6.9
1" Sweat	20	138	3.5	3
1" Sweat - V804E1079, V804F1101 only	8	55	8	6.9
1/2" Flare	20	138	3.5	3
1/2" Inverted Flare	20	138	3.5	3
1/2" Threaded	20	138	3.5	3
3/4" Threaded	20	138	3.5	3
1" Threaded	20	138	3.5	3
1" Threaded - V804E1137 only	6.5	45	10	8.6

Job Name \_\_\_\_\_  
 Engineer \_\_\_\_\_  
 Mechanical Contractor \_\_\_\_\_  
 Contractor's P.O. No. \_\_\_\_\_  
 Representative \_\_\_\_\_  
 Notes \_\_\_\_\_

Model(s) \_\_\_\_\_  
 \_\_\_\_\_ Qty. \_\_\_\_\_ Notes \_\_\_\_\_  
 \_\_\_\_\_ Qty. \_\_\_\_\_ Notes \_\_\_\_\_  
 \_\_\_\_\_ Qty. \_\_\_\_\_ Notes \_\_\_\_\_  
 Approval \_\_\_\_\_  
 Service \_\_\_\_\_  
 Tag No. \_\_\_\_\_

# BALL VALVE

The 1000 Series Zone Valves use a NBR rubber ball instead of a flange to create a seal. Using a ball versus the traditional flange provides a new sealing surface each time the valve operates, producing a quality seal and significantly increasing service life.



# ADDITIONAL SPECIFICATIONS

**Changeover Aquastat® Control:** 120V, 3.0 A with 10.0 A inrush

**End Switch:** 120 V, 4.4 A running with 26.4 A inrush (60Hz). Pilot duty 50 VA at 24 V.

**Humidity Rating:** 5-95% RH (non-condensing).

**Atmosphere:** non-corrosive, non-explosive

**Timing:**

V8043: Open or close in 15 seconds max.

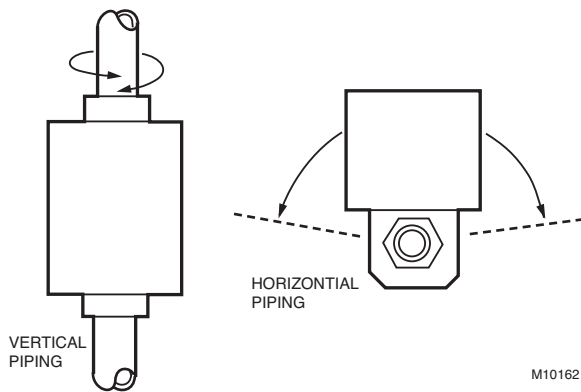
**Manual Opener:** Manual opener (on all except the straight-through, normally open valves) allows opening the valve in case of power failer. Valve returns to automatic position when power is restored.

**Approvals:**

Underwriters Laboratories Inc. Listed: V4043A, B; V8043A, B, E, J; V8044A, B, E; File MH11826. Vol. 1, dated 2-22-88.

# MOUNTING

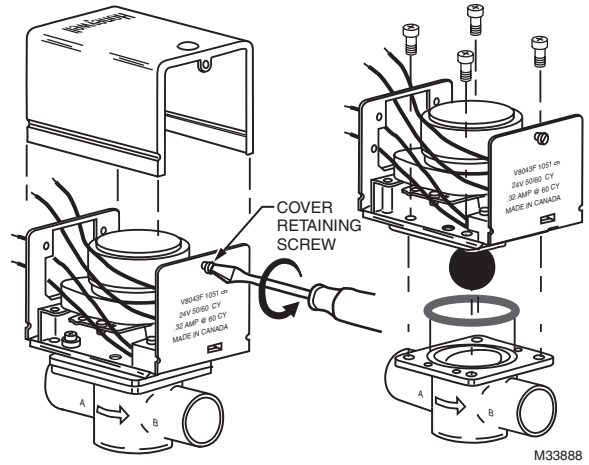
The valve can be mounted in any position on a vertical line. See the figure below. If the valve is mounted horizontally, the powerhead must be even with or above the center line of the piping. Make sure to leave enough room above the powerhead to remove the cover for servicing.



**Automation and Control Solutions**  
 Honeywell International Inc.  
 1985 Douglas Drive North  
 Golden Valley, MN 55422  
 customer.honeywell.com

# POWERHEAD REMOVAL

Converting V8043 valve body for use with a new powerhead does not require removal of the valve body from the pipeline.



For install instructions refer to literature number 60-2133 on page 9.

# V8043 Zone Valve Models

Connection Type	OS Number	Size	End Switch	Electrical Connections
Sweat	V8043A1011	1/2"	N	18 in. leads (457 mm leads)
	V8043E1004	1/2"	Y	18 in. leads (457 mm leads)
	V8043F1028	1/2"	Y	Screw Terminal Block
	V8043B1019	1/2"	N	18 in. leads (457 mm leads)
	V8043A1029	3/4"	N	18 in. leads (457 mm leads)
	V8043E1012	3/4"	Y	18 in. leads (457 mm leads)
	V8043E1061	3/4"	Y	18 in. leads (457 mm leads)
	V8043F1036	3/4"	Y	18 in. leads (457 mm leads)
	V8043F1093	3/4"	Y	Screw Terminal Block
	V8043B1027	3/4"	N	18 in. leads (457 mm leads)
	V8043A1037	1"	N	18 in. leads (457 mm leads)
	V8043E1020	1"	Y	18 in. leads (457 mm leads)
	V8043E1079	1"	Y	18 in. leads (457 mm leads)
	V8043F1051	1"	Y	18 in. leads (457 mm leads)
V8043F1101	1"	Y	Screw Terminal Block	
Flare	V8043A1003	1/2"	N	18 in. leads (457 mm leads)
Inverted Flare	V8043A1193	1/2"	N	18 in. leads (457 mm leads)
	V8043E1129	1/2"	Y	18 in. leads (457 mm leads)
Threaded	V8043A1227	1/2"	N	18 in. leads (457 mm leads)
	V8043E1145	3/4"	Y	18 in. leads (457 mm leads)
	V8043B1076	3/4"	N	18 in. leads (457 mm leads)
	V8043E1137	1"	Y	18 in. leads (457 mm leads)



© U.S. Registered Trademark  
 © 2012 Honeywell International Inc.  
 68-3092—01 M.S. 06-12  
 Printed in United States