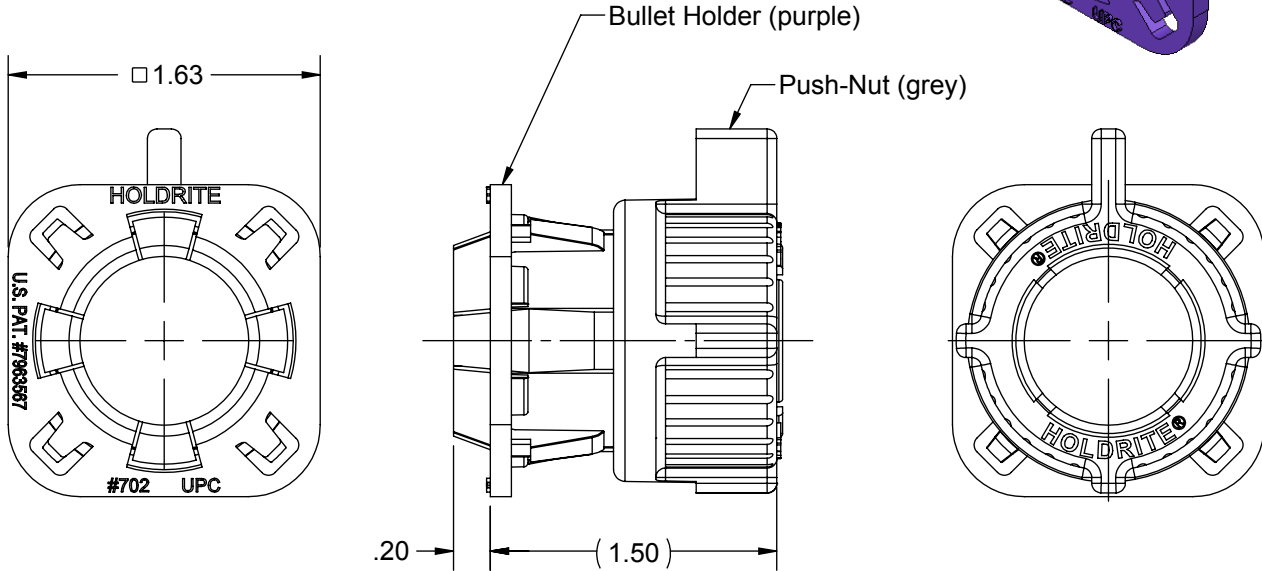
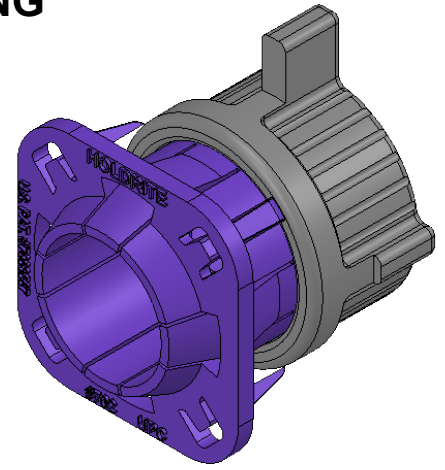


# PRODUCT SPECIFICATION DRAWING

## HOLDRITE LOCK-n-LOAD® #702



The **HOLDRITE LOCK-n-LOAD® #702** is a clamp that mounts into our #103, #709, #110-R or #721 Series Brackets. This clamp requires no hardware to install and is designed to firmly grip fixture stub-outs such as bullets or similar 3/4" CTS tubing. The **HOLDRITE LOCK-n-LOAD #702** is for use with PEXRITE Brackets only.

### Product Information:

- Material: Nylon
- Color: Purple (Bullet Holder), Grey (Push Nut)
- Temperature range: -10°F to +140°F (tentative)
- Load rating: 25 pounds
- UPC / IPC / IAPMO listed
- Materials meet UL94V-2 flame resistance



THIS INFORMATION IS PROPRIETARY TO HOLDRITE AND IS SUBJECT TO CHANGE WITHOUT NOTICE. IT MAY NOT BE REPRODUCED IN PART OR WHOLE WITHOUT WRITTEN AUTHORIZATION.



Product Submittal	
Job Name:	
Date:	
Part Number:	Qty:
Architect / Owner:	
Contractor:	
Notes:	