



325 COMMERCE DRIVE
 MT VERNON, OH 43050
 800-253-8236

SPECIFICATION DATA SHEET

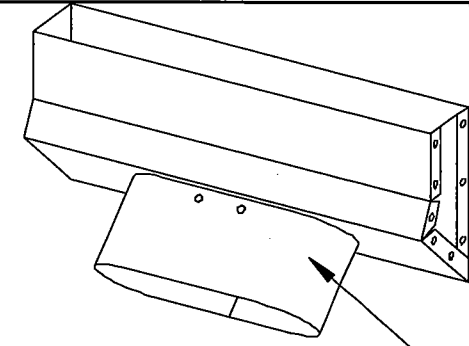
DATE: 4-18-13
 PREPARED BY: RL

MODEL NO. 582 45° OVAL REGISTER BOX

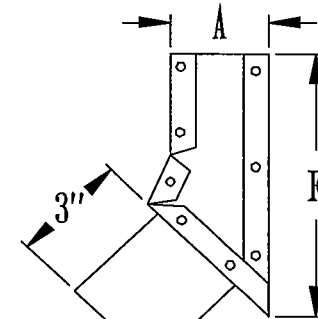
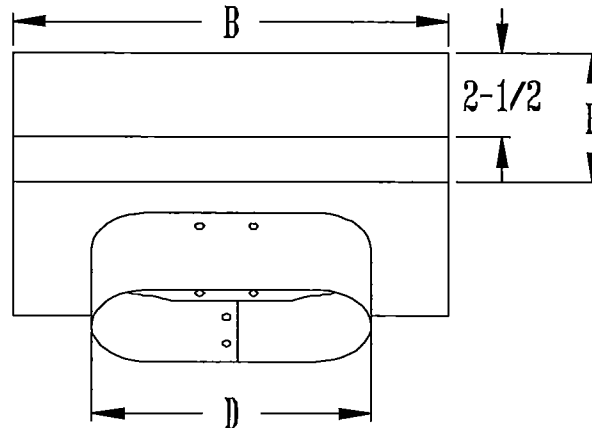
2 1/4" WIDE MODEL

DIMENSIONS

SIZE					
A	B	C	D	E	F
2 1/4" x 10" x 6"			7 5/8"	3 13/16"	6 1/2"
2 1/4" x 10" x 7"			9 1/4"	3 13/16"	6 1/2"
2 1/4" x 12" x 6"			7 5/8"	3 13/16"	6 1/2"
2 1/4" x 12" x 7"			9 1/4"	3 13/16"	6 1/2"



Oval Tube:
 *1.5" Radius



C: OVAL SIZE
 EQUIVALENT

MATERIAL SPECIFICATIONS

HOT DIPPED GALVANIZED STEEL.
 PER ASTM A 653 CSB.

BODY: STD GAUGE CONSTRUCTION
 COLLAR: 5" - 8" = STD GAUGE

STD GAUGE CONSTRUCTION

ASSEMBLED WITH 1/8" ZINC COATED RIVETS.

OPTIONS

JOB: _____
 LOCATION: _____
 CONTRACTOR: _____
 ENGINEER: _____
 NOTES: _____



325 COMMERCE DRIVE
 MT VERNON, OH 43050
 800-253-8236

SPECIFICATION DATA SHEET

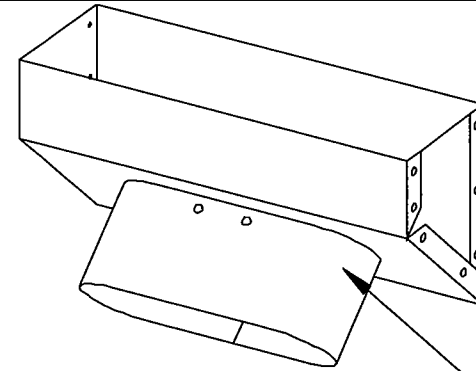
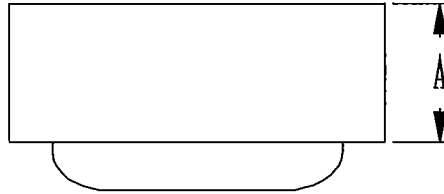
DATE: 4-18-13
 PREPARED BY: RL

MODEL NO. 582 45° OVAL REGISTER BOX

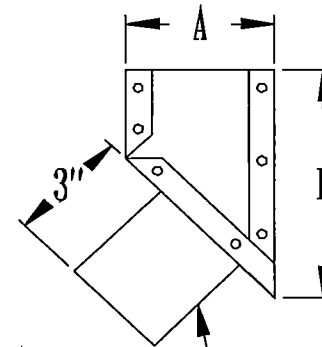
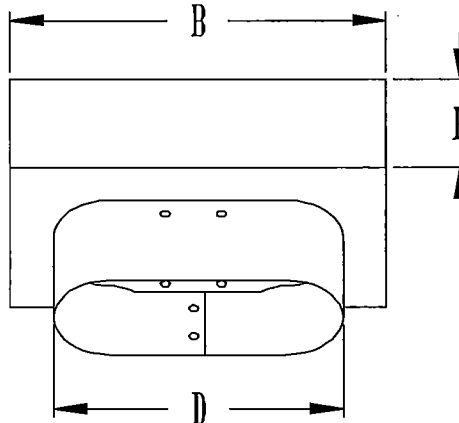
4" WIDE MODEL

DIMENSIONS

SIZE					
A	B	C	D	E	F
4" x 10" x 6"	7 5/8"	2 9/16"	6 1/2"	2 9/16"	6 1/2"
4" x 10" x 7"	9 1/4"	2 9/16"	6 1/2"	2 9/16"	6 1/2"
4" x 12" x 6"	7 5/8"	2 9/16"	6 1/2"	2 9/16"	6 1/2"
4" x 12" x 7"	9 1/4"	2 9/16"	6 1/2"	2 9/16"	6 1/2"



Oval Tube:
 *1.5" Radius



C: OVAL SIZE
 EQUIVALENT

MATERIAL SPECIFICATIONS

HOT DIPPED GALVANIZED STEEL.
 PER ASTM A 653 CSB.

BODY: STD GAUGE CONSTRUCTION
 COLLAR: 5" - 8" = STD GAUGE

STD GAUGE CONSTRUCTION

ASSEMBLED WITH 1/8" ZINC COATED RIVETS.

OPTIONS

JOB: _____
 LOCATION: _____
 CONTRACTOR: _____
 ENGINEER: _____
 NOTES: _____