



325 COMMERCE DRIVE
 MT VERNON, OH 43050
 800-253-8236

SPECIFICATION DATA SHEET

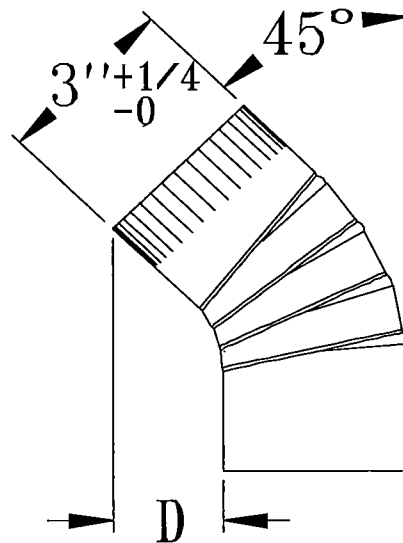
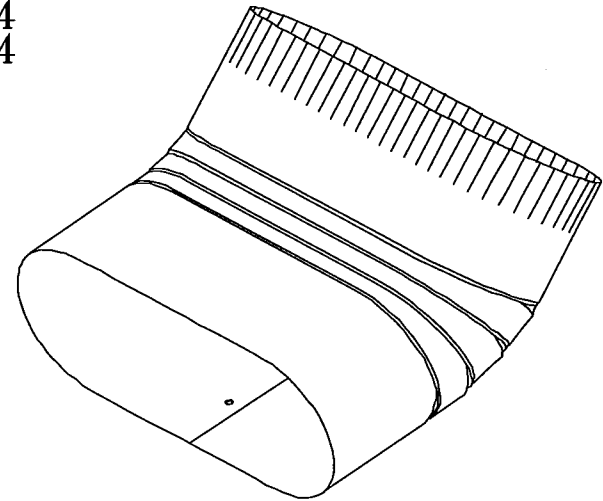
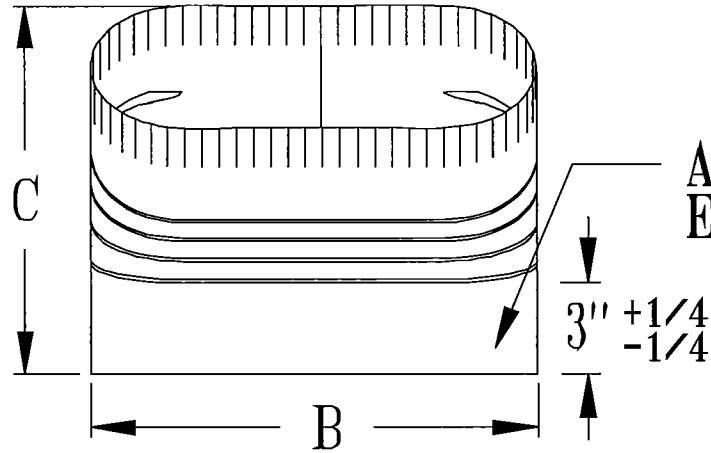
DATE: 9-30-14
 PREPARED BY: RL

MODEL NO. 158 OVAL VERTICAL ANGLE

STANDARD MODEL

DIMENSIONS

SIZE	A	B	C	D
5"	5"	6 1/8"	5"	2"
6"	6"	7 3/8"	5"	2"
7"	7"	9 1/4"	5"	2"
8"	8"	10 3/4"	5"	2"



MATERIAL SPECIFICATIONS

HOT DIPPED GALVANIZED STEEL.
 PER ASTM A 653 CSB.

BODY = STANDARD GAUGE

ASSEMBLED WITH 1/8" ZINC COATED RIVETS.

OPTIONS

JOB: _____
 LOCATION: _____
 CONTRACTOR: _____
 ENGINEER: _____
 NOTES: _____