

Specifications



Certifications



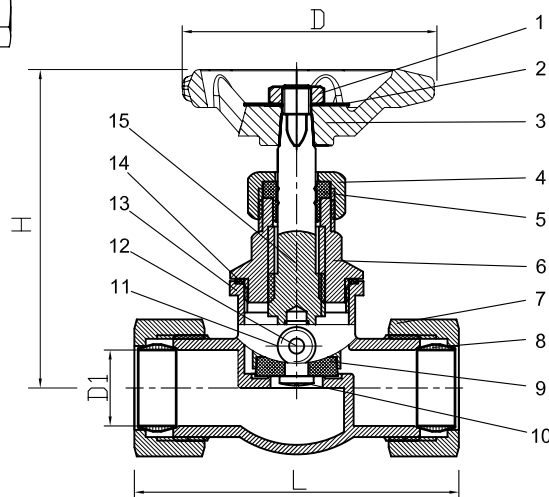
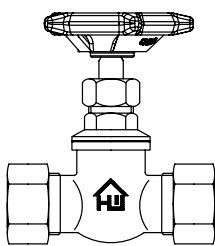
220-1-12-12

220-1-34-34

Physical Characteristics

- Description: Stop and Waste Valve - Brass
- Connection Type: Compression x Compression
- Stop, waste and cap
- Handle Color: Yellow
- Max. Operating Temp. Rating: 82° F
- Max. Operating Pressure Rating: 125 PSI non-shock WOG
- This product complies with 0.25% weighted average lead content on wetted surfaces
- Meets ANSI/NSF 61 Low Lead Requirements

PART NO.	SIZE	L		D1		H		D		WEIGHT g
		mm	In.	mm	In.	mm	In.	mm	In.	
220-1-12-12	1/2"	75	2.95	ø15.93-16.03	ø0.627-0.631	65.7-77.7	2.59-3.06	53.1	2.09	286
220-1-34-34	3/4"	86	3.39	ø22.28-22.38	ø0.877-0.881	65.7-77.7	2.59-3.06	53.1	2.09	402



NO.	DESCRIPTION	MATERIAL
1	Handle nut	Steel
2	Name plate	Aluminum
3	Handle	Cast iron
4	Packing nut	Brass
5	Packing	Rubber
6	Bonnet	Brass
7	Nut	Brass
8	Sleeve	Brass
9	Disc	Rubber
10	Disc Screw	Brass
11	Drain cup nut	Brass
12	Drain packing	Rubber
13	Body	Brass
14	Washer	Teflon
15	Stem	Brass