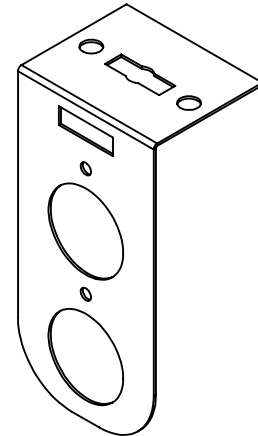
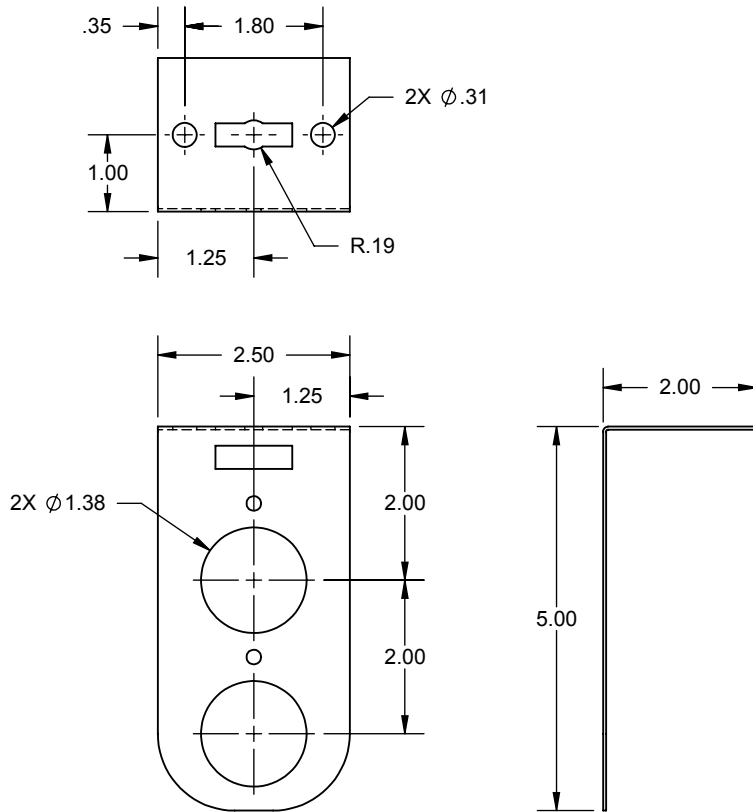


PRODUCT SPECIFICATION DRAWING HOLDRITE® #121-L



ALL DIMENSIONS IN INCHES

The HOLDRITE® #121-L is a 20 gage galvanized steel bracket that supports dual lines of 1/2", 3/4" or 1" Copper, PEX or CPVC tubing at 2" and 4" center line height. The hole pattern on the 90° base allows for attachment to any flat surface. The bracket can also be suspended by 3/8" threaded rod.

Product Information:

- Material: 20 gage CRS, galvanized
- Load rating: 25 pounds
- Supports 1/2", 3/4" and 1" tubing with available inserts
- UPC / IPC / IAPMO listed



THIS INFORMATION IS PROPRIETARY TO HOLDRITE AND IS SUBJECT TO CHANGE WITHOUT NOTICE. IT MAY NOT BE REPRODUCED IN PART OR WHOLE WITHOUT WRITTEN AUTHORIZATION.

HOLDRITE®

CONVERTING MAKESHIFT METHODS INTO ENGINEERED SOLUTIONSSM
800-321-0316 OR 760-744-6944 / FAX: 760-744-0507 / WWW.HOLDRITE.COM
spec_121-L_RevG

Product Submittal	
Job Name:	
Date:	
Part Number:	Qty:
Architect / Owner:	
Contractor:	
Notes:	