



325 COMMERCE DRIVE
 MT VERNON, OH 43050
 800-253-8236

SPECIFICATION DATA SHEET

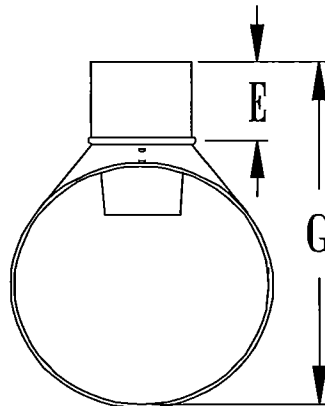
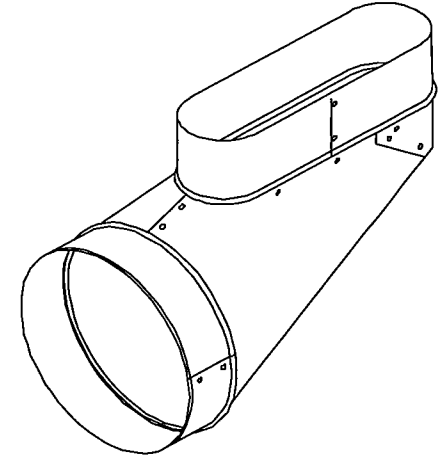
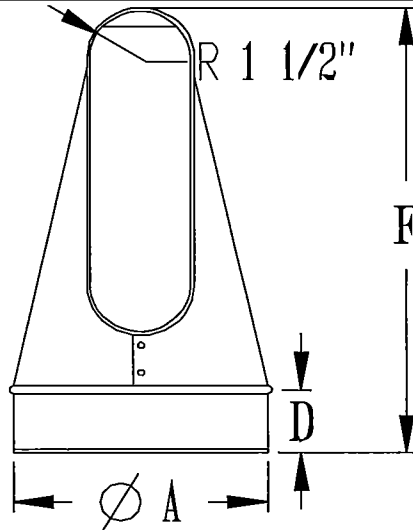
DATE: 8-14-13
 PREPARED BY: RL

MODEL NO. 586
OVAL END BOOT - NO CRIMP

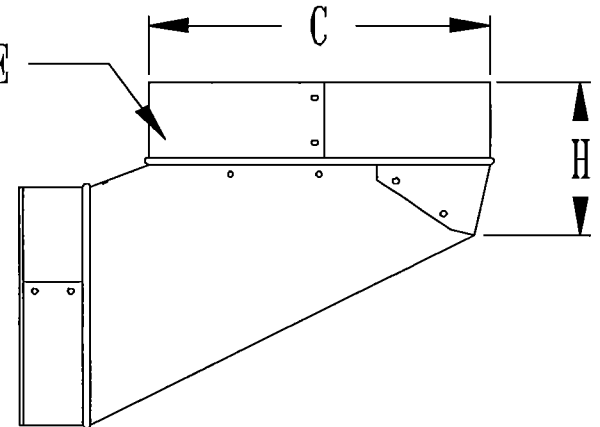
STANDARD MODEL

DIMENSIONS

SIZE	A	B	C	D	E	F	G	H
5"	5"	5"	6 1/8"	2"-HEM	2 1/2"	9 9/16"	8 3/16"	4 7/8"
5" TO 6"	5"	6"	7 5/8"	2"-HEM	2 1/2"	11 1/4"	8 3/16"	4 7/8"
6" TO 7"	6"	7"	9 1/4"	2"-HEM	2 1/2"	12 3/4"	9 3/16"	4 7/8"
7"	7"	7"	9 1/4"	2"-HEM	2 1/2"	12 3/4"	10 3/16"	5 3/8"
7" TO 8"	7"	8"	10 3/4"	2"-HEM	2 1/2"	14 5/8"	10 3/16"	5 3/8"
8"	8"	8"	10 3/4"	2"-HEM	2 1/2"	13 3/4"	12"	5 3/8"



B: OVAL SIZE EQUIVALENT



MATERIAL SPECIFICATIONS

HOT DIPPED GALVANIZED STEEL.
 PER ASTM A 653 CSB.

BODY & COLLARS = STANDARD GAUGE

ASSEMBLED WITH 1/8" ZINC COATED RIVETS.

OPTIONS

AVAILABLE WITH CRIMP
 6" IS AVAILABLE WITH DIE-STAMPED BODY

JOB: _____
 LOCATION: _____
 CONTRACTOR: _____
 ENGINEER: _____
 NOTES: _____



325 COMMERCE DRIVE
 MT VERNON, OH 43050
 800-253-8236

SPECIFICATION DATA SHEET

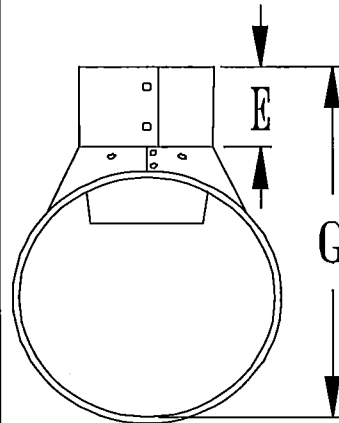
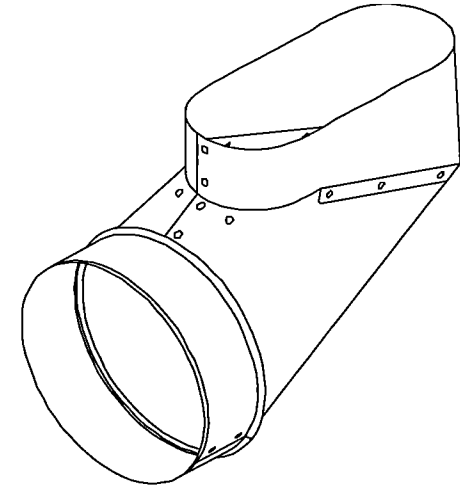
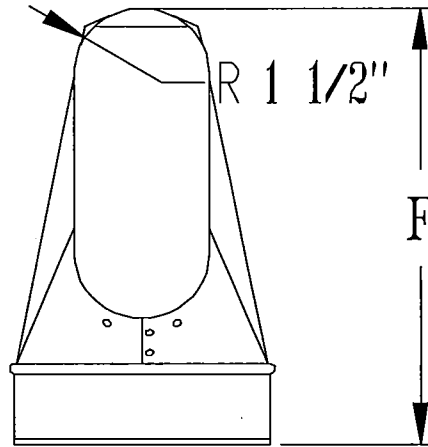
DATE: 8-14-13
 PREPARED BY: RL

MODEL NO. 586
6" OVAL END BOOT - NO CRIMP

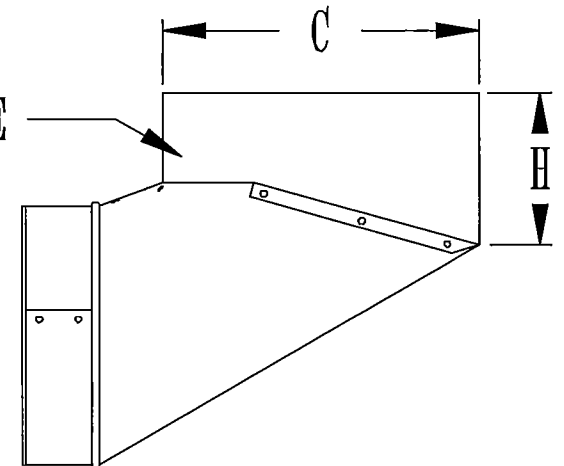
STANDARD MODEL

DIMENSIONS

SIZE	A	B	C	D	E	F	G	H
6"	6"	6"	7 5/8"	2"-HEM	2 1/2"	10 7/16"	8 7/16"	3 7/8"



B: OVAL SIZE EQUIVALENT



MATERIAL SPECIFICATIONS

HOT DIPPED GALVANIZED STEEL.
 PER ASTM A 653 CSB.

BODY & COLLARS = STANDARD GAUGE

ASSEMBLED WITH 1/8" ZINC COATED RIVETS.

OPTIONS

JOB: _____
 LOCATION: _____
 CONTRACTOR: _____
 ENGINEER: _____
 NOTES: _____