

PROJECT: _____	UNIT TAG: _____	QUANTITY: _____
REPRESENTATIVE: _____	TYPE OF SERVICE: _____	DATE: _____
ENGINEER: _____	SUBMITTED BY: _____	DATE: _____
CONTRACTOR: _____	APPROVED BY: _____	DATE: _____
	ORDER NO.: _____	DATE: _____

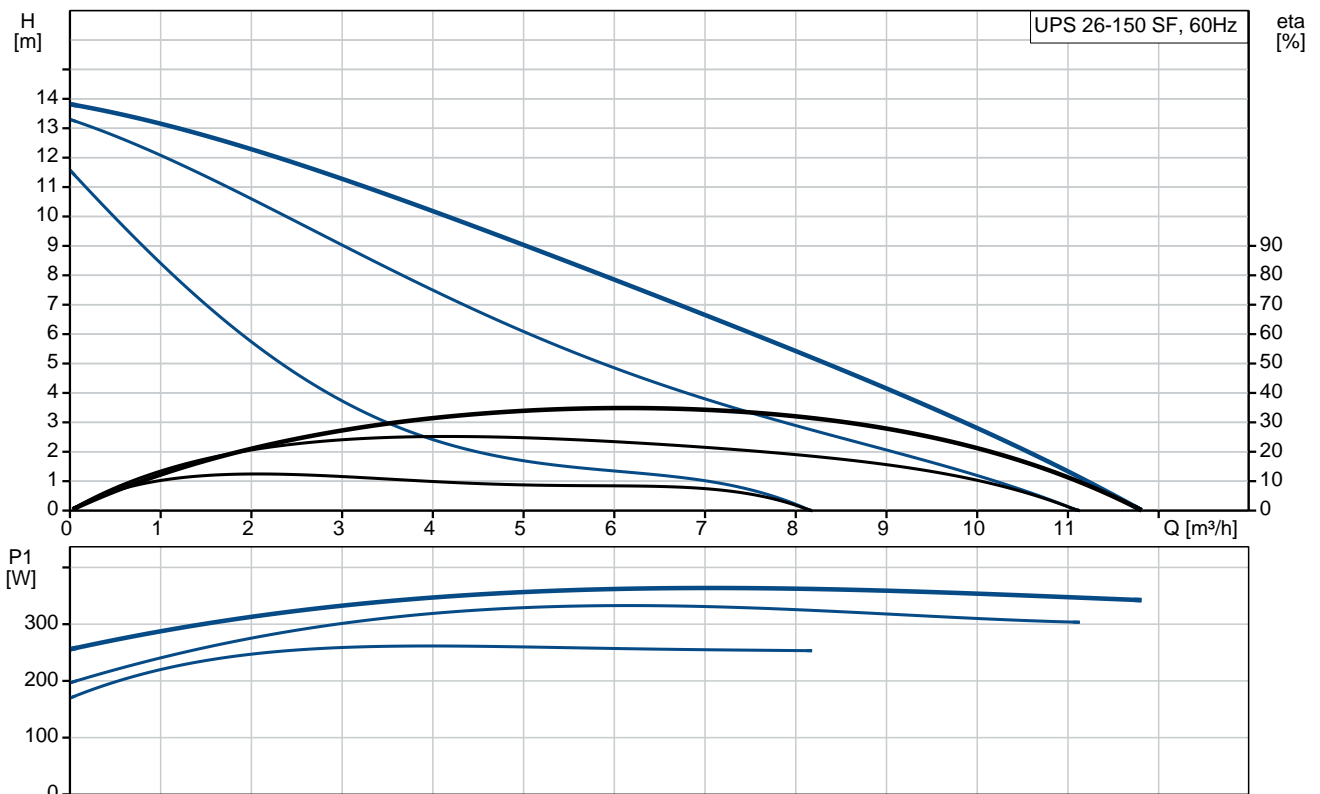
UPS 26-150 SF

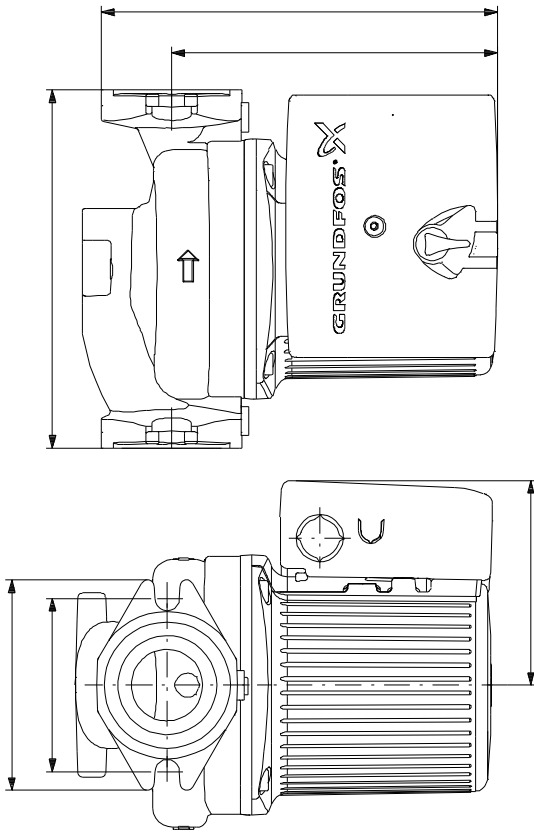
Circulator pumps



Note! Product picture may differ from actual product

Conditions of Service	Pump Data	Motor Data
Flow: _____	Maximum operating pressure: 10 bar	Max. power input: 370 W
Head: _____	Liquid temperature range: 0 .. 110 °C	Rated power - P2: 0.25 kW
Efficiency: _____	Maximum ambient temperature: 40 °C	Rated voltage: 115 V
Liquid: Water	Approvals: ETL, CSA	Mains frequency: 60 Hz
Temperature: 60 °C	Type of connection: S.S. Flange	Insulation class: H
NPSH required: m	Flange standard: USA Oval	Motor protection: CONTACT
Viscosity: _____	Pipe connection: 2 - Bolt Flange	Thermal protection: Internal
Specific Gravity: 0.985	Product number: On request	





Materials:

Pump housing: Stainless steel
DIN W.-Nr. 1.4301
Impeller: Composite, PES

Tender Text



Note! Product picture may differ from actual product

Product No.: On request

UPS 26-150 SF

The pump is of the canned rotor type, i.e. pump and motor form an integral unit without shaft seal and with only two gaskets for sealing.

The bearings are lubricated by the pumped liquid.

The pump has 3-step speed selector.

The pump is characterized by:

- * Ceramic shaft and radial bearings.
- * Carbon axial bearing.
- * Stainless steel rotor can and bearing plate.
- * Corrosion-resistant impeller, Composite, PES.
- * Stainless steel pump housing.

The motor is a 1-phase motor.

No additional motor protection is required.

Liquid:

Pumped liquid: Water
Liquid temperature range: 0 .. 110 °C
Liquid temperature during operation: 60 °C
Density: 983.2 kg/m³

Technical:

Approvals on nameplate: ETL, CSA

Materials:

Pump housing: Stainless steel
DIN W.-Nr. 1.4301
Impeller: Composite, PES

Installation:

Maximum ambient temperature: 40 °C
Amb. max at 80 dgr C liquid: 80 °C
Maximum operating pressure: 10 bar
Flange standard: USA Oval
Type of connection: S.S. Flange
Pipe connection: 2 - Bolt Flange
Pressure rating: 10
Port-to-port length: 165 mm

Electrical data:

Power input in speed 1: 265 W



Company name:

Created by:

Phone:


Date:

28/11/2017

Power input in speed 2: 335 W
Max. power input: 370 W
Rated power - P2: 0.25 kW
Mains frequency: 60 Hz
Rated voltage: 1 x 115 V
Current in speed 1: 2.5 A
Current in speed 2: 3.1 A
Current in speed 3: 3.5 A
Capacitor size - run: 40 μ F/180 V
Number of poles: 2
Insulation class (IEC 85): H

Others:

Gross weight: 7.62 kg

Position	Qty.	Description
	1	<p>UPS 26-150 SF</p>  <p style="text-align: center;">Note! Product picture may differ from actual product</p> <p>Product No.: On request</p> <p>The pump is of the canned rotor type, i.e. pump and motor form an integral unit without shaft seal and with only two gaskets for sealing. The bearings are lubricated by the pumped liquid. The pump has 3-step speed selector. The pump is characterized by:</p> <ul style="list-style-type: none"> * Ceramic shaft and radial bearings. * Carbon axial bearing. * Stainless steel rotor can and bearing plate. * Corrosion-resistant impeller, Composite, PES. * Stainless steel pump housing. <p>The motor is a 1-phase motor. No additional motor protection is required.</p> <p>Liquid: Pumped liquid: Water Liquid temperature range: 0 .. 110 °C Liquid temperature during operation: 60 °C Density: 983.2 kg/m³</p> <p>Technical: Approvals on nameplate: ETL, CSA</p> <p>Materials: Pump housing: Stainless steel DIN W.-Nr. 1.4301 Impeller: Composite, PES</p> <p>Installation: Maximum ambient temperature: 40 °C Amb. max at 80 dgr C liquid: 80 °C Maximum operating pressure: 10 bar Flange standard: USA Oval Type of connection: S.S. Flange Pipe connection: 2 - Bolt Flange Pressure rating: 10 Port-to-port length: 165 mm</p> <p>Electrical data: Power input in speed 1: 265 W Power input in speed 2: 335 W Max. power input: 370 W</p>



Company name:

Created by:

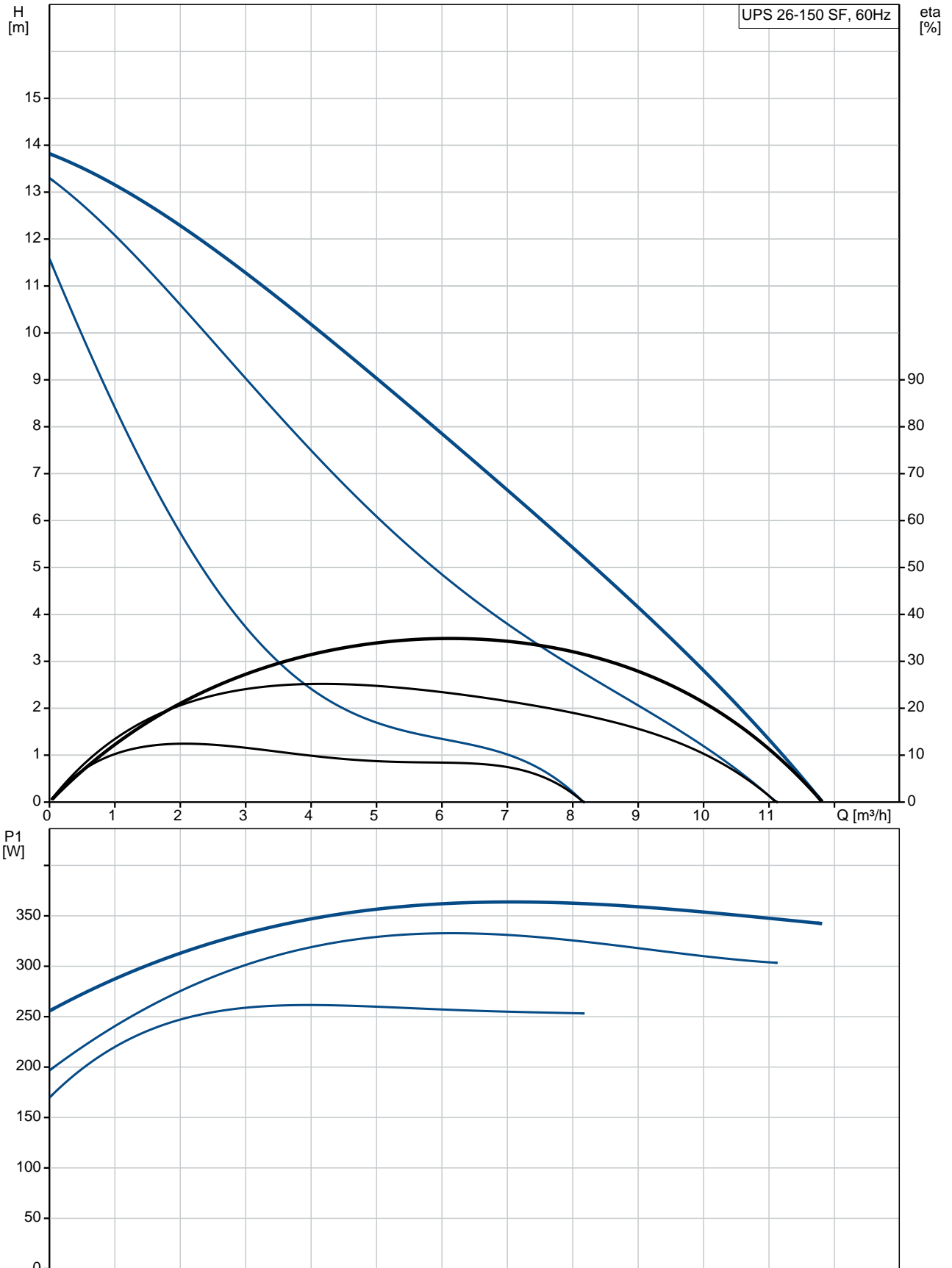
Phone:

Date:

28/11/2017

Position	Qty.	Description
		Rated power - P2: 0.25 kW Mains frequency: 60 Hz Rated voltage: 1 x 115 V Current in speed 1: 2.5 A Current in speed 2: 3.1 A Current in speed 3: 3.5 A Capacitor size - run: 40 µF/180 V Number of poles: 2 Insulation class (IEC 85): H Others: Gross weight: 7.62 kg

On request UPS 26-150 SF 60 Hz



Description	Value
-------------	-------

General information:

Product name:	UPS 26-150 SF
Product No:	On request
EAN number:	On request

Technical:

Speed no:	3
Max flow:	11.8 m ³ /h
Head max:	13.8 m
Approvals on nameplate:	ETL, CSA

Materials:

Pump housing:	Stainless steel
	DIN W.-Nr. 1.4301
Impeller:	Composite, PES

Installation:

Maximum ambient temperature:	40 °C
Amb. max at 80 dgr C liquid:	80 °C
Maximum operating pressure:	10 bar
Flange standard:	USA Oval
Type of connection:	S.S. Flange
Pipe connection:	2 - Bolt Flange
Pressure rating:	10
Port-to-port length:	165 mm

Liquid:

Pumped liquid:	Water
Liquid temperature range:	0 .. 110 °C
Liquid temperature during operation:	60 °C
Density:	983.2 kg/m ³

Electrical data:

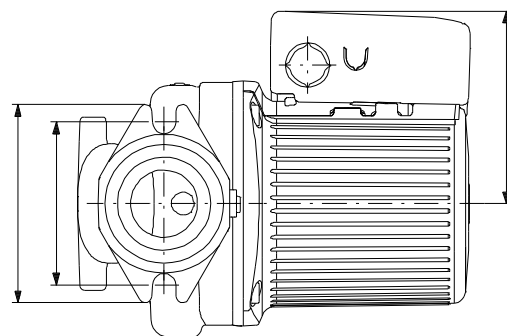
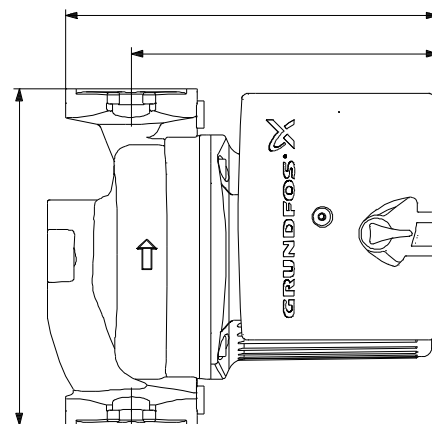
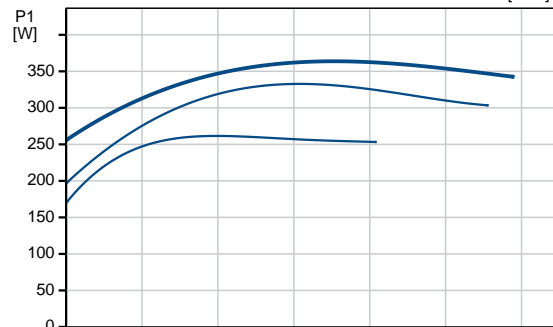
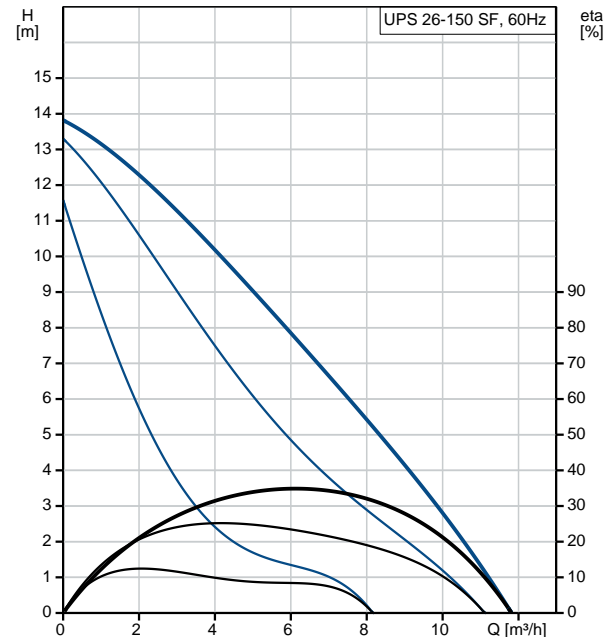
Power input in speed 1:	265 W
Power input in speed 2:	335 W
Max. power input:	370 W
Rated power - P2:	0.25 kW
Mains frequency:	60 Hz
Rated voltage:	1 x 115 V
Current in speed 1:	2.5 A
Current in speed 2:	3.1 A
Current in speed 3:	3.5 A
Capacitor size - run:	40 µF/180 V
Number of poles:	2
Insulation class (IEC 85):	H
Motor protec:	CONTACT
Thermal protec:	Internal

Controls:

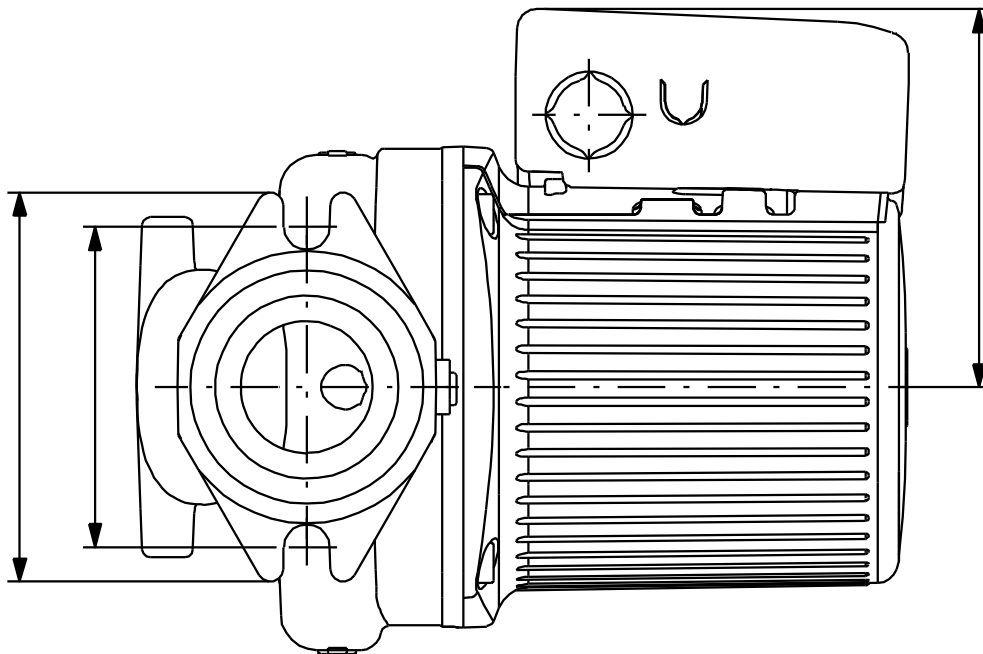
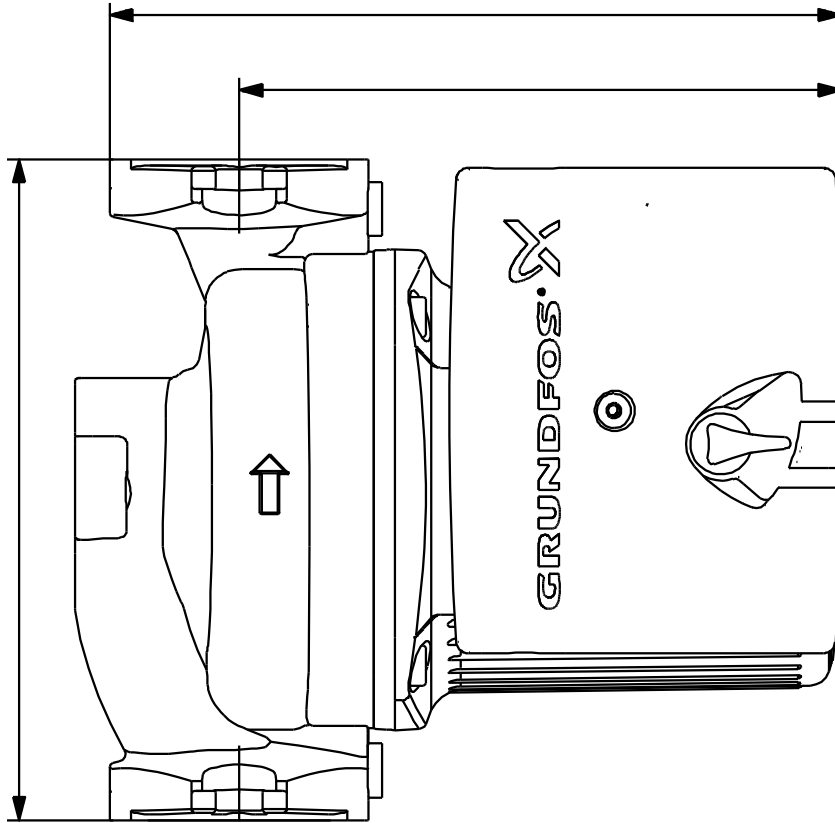
Pos term box:	9H
---------------	----

Others:

Gross weight:	7.62 kg
---------------	---------



On request UPS 26-150 SF 60 Hz



Note! All units are in [mm] unless others are stated.
Disclaimer: This simplified dimensional drawing does not show all details.



Company name:

Created by:

Phone:

Date:

28/11/2017

Order Data:

Product name: UPS 26-150 SF

Amount: 1

Product No: On request

Total: Price on request
