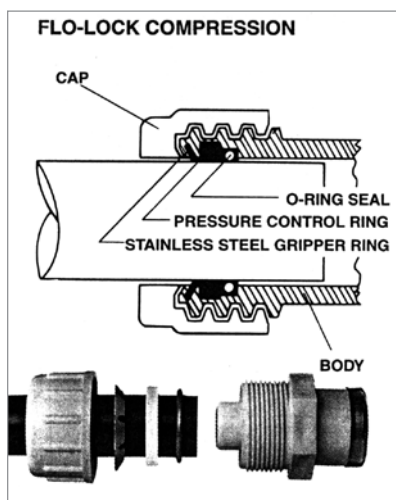




# PVC Flo-Lock Fittings - SDR9 polyethylene pipe



## PVC Flo-Lock Series 700 Features:

- For water service line installations.
- Use on polyethylene pipe - tube size SDR-9, ASTM D2737.
- Reliable connections for polyethylene or copper tube.
- PVC type I material - 160 psi at 72 °F.
- Dry pull test exceeds 400 psi.
- Quick burst test exceeds 600 psi.
- Stainless steel band to reinforce female thread.
- Not for use with compressed air or natural gas lines.



**IAPMO LISTED:** Listed by the International Association of Plumbing and Mechanical Officials Research Committee as meeting the requirements set forth by the Uniform Plumbing Code for potable water systems. \* Female threaded fittings are no longer IAPMO approved.

Series 700 Fittings for:  
Polyethylene tubing SDR-9 CTS - OD -  
ASTM-2666 & ASTM-2737 dimensions.

Tubing Size	Nominal OD	Nominal ID	Pressure Rating - PSI
3/4"	0.875	0.675	160
1"	1.125	0.865	160
1 1/4"	1.375	1.059	160
1 1/2"	1.625	1.253	160
2"	2.125	1.629	160



**NSF LISTED SE-14: ALL**  
Compression fittings are listed by the National Sanitation Foundation as acceptable for use with potable water.



710 Series

NSF/ANSI 61+372

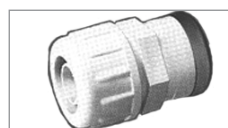
UPC



730 Series

NSF/ANSI 61+372

UPC



731 Series

NSF/ANSI 61+372



733 Series

NSF/ANSI 61+372

UPC

☺ Insert stiffener supplied must be used with this fitting

Part Number	Tube Size	Description	Length	Ctn Qty	List Price
<b>PVC Couplings, ts x ts</b>					
710-07	3/4"	3/4" x 3/4"	4"	35	\$ 29.01
710-10	1"	1" x 1"	4"	24	34.30
710-17	1"	SDR9 x 3/4" SDR11	4"	36	42.21
710-12	1 1/4"	1 1/4" x 1 1/4"	4 1/2"	15	53.96
710-15 ☺	1 1/2"	1 1/2" X 1 1/2"	5"	15	61.42
710-20 ☺	2"	2" x 2"	5"	12	82.43
<b>PVC Male Adapters, mipt x ts</b>					
730-07	3/4"	3/4" x 3/4"	2 5/8"	25	18.28
730-10	1"	1" x 1"	2 7/8"	18	22.27
730-15	1 1/2"	1 1/2" x 1 1/2"	3 1/2"	18	40.71
730-20 ☺	2"	2" x 2"	3 1/2"	12	65.23
730-71	3/4" x 1"	3/4" x 1"	2 7/8"	18	22.48
<b>PVC Female Adapters, fipt x ts</b>					
731-07	3/4"	3/4" x 3/4"	2 5/8"	25	20.25
731-10	1"	1" x 1"	2 7/8"	15	30.47
731-12	1 1/4"	1 1/4" x 1 1/4"	2 7/8"	12	39.95
731-15	1 1/2"	1 1/2" x 1 1/2"	3 1/2"	18	46.74
731-20 ☺	2"	2" x 2"	4"	12	69.06
731-71	3/4" x 1"	3/4" x 1"	2 7/8"	15	29.28
<b>PVC Spigot Adapters, ips spigot x ts, (For use with Sch 40 PVC tees, ells)</b>					
733-07	3/4"	3/4" x 3/4"	2 7/8"	18	17.45
733-10	1"	1" x 1"	2 7/8"	18	18.22
733-12	1 1/4"	1 1/4" x 1 1/4"	2 7/8"	12	33.60
733-15	1 1/2"	1 1/2" x 1 1/2"	3 1/2"	18	38.87
733-20 ☺	2"	2" x 2"	3 1/2"	12	62.25
733-71	3/4" x 1"	3/4" x 1"	3 1/2"	18	17.45



In the United States: Phone (800) 776-2266 Fax (800) 729-3299  
In Canada: Phone (800) 268-7570 Fax (905) 629-3204

www.americangranby.com

12/4/18