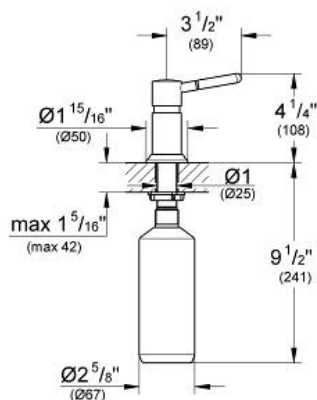


# Soap Dispenser

MODEL # 28751SD1

Pure Freude  
an Wasser

GROHE



## Product Description:

### Soap Dispenser

#### Standard Specification:

- Capacity 15 oz.
- One Piece Cartridge Pump Unit

#### Applicable Codes & Standards:

- Energy Policy Act of 1992
- ASME A112.18.1/CSA B125.1

#### Color:

- 28751SD1 GROHE RealSteel®