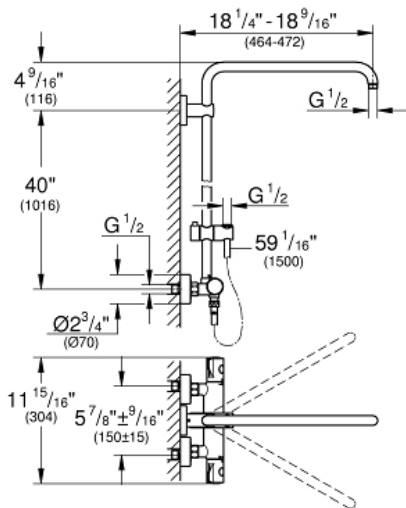


EUPHORIA SYSTEM Shower System with Thermostat for Wall Mount

MODEL # 26419000

Pure Freude
an Wasser

GROHE



ADA

Product Description:
EUPHORIA SYSTEM
Shower System with Thermostat for Wall Mount

Standard Specification:

- 17 3/4" horizontal swivel shower arm
- Exposed thermostat with Aquadimmer that diverts between hand shower and showerhead
- ADA Compliant handles
- Showerhead and hand shower (not included)
- Bar with adjustable height hand shower holder
- Rotaflex shower hose (59") (28 417)
- **GROHE TurboStat** Compact cartridge with wax thermoelement
- Exposed thermostatic temperature control with SafeStop at 100°F/38°C
- GROHE SafeStop Plus optional temperature limiter at 110°F (43°C) included
- **GROHE StarLight** chrome finish
- Exposed thermostatic temperature control with SafeStop at 100°F/38°C
- Inner WaterGuide for a longer life
- Twistfree to prevent hose from twisting
- Min. recommended pressure: 15 psi (1.0 bar)
- CALGreen compliant
- Two discrete functions (non-shared)
- Includes adaptors for easy installation (depth adjustable)
- Protected against backflow

Applicable Codes & Standards:

- ASME A112.18.1/CSA B125.1
- US Federal and State material regulations

Color:

- 26419000 StarLight Chrome