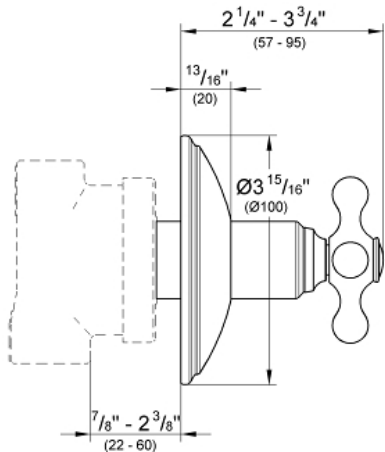


SEABURY
2-Way Diverter
MODEL # 19222EN0

Pure Freude
an Wasser

GROHE



Product Description:

SEABURY
2-Way Diverter

Standard Specification:

- For use with Diverter Rough-In Valve (29 712)
- Adjustable installation depth: 7/8" - 2 3/8"
- For color matching handle/lift rod caps to replace the standard white caps, see item (45 952)
- **GROHE StarLight** finish

Applicable Codes & Standards:

- Energy Policy Act of 1992
- ASME A112.18.1/CSA B125.1

Color:

- 19222EN0 Brushed Nickel InfinityFinish