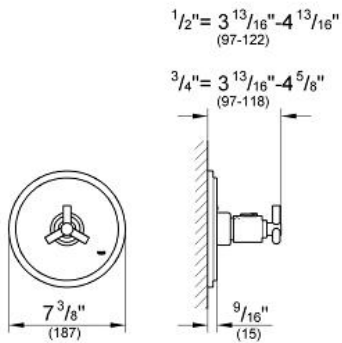


ATRIO
Thermostat Trim
MODEL # 19169000

Pure Freude
an Wasser

GROHE



Product Description:
ATRIO
Thermostat Trim

Standard Specification:

- For use with GrohTherm Rough-In Valve (34 331) or (34 397)

Applicable Codes & Standards:

- Energy Policy Act of 1992
- ASME A112.18.1/CSA B125.1

Color:

- 19169000 StarLight Chrome