

JET PUMPS

Franklin's jet pumps can be configured for a variety of pressures and flow choices, and are ideal for supplying fresh water to homes, cabins, farms, or practically anywhere that has a suction lift of 100 feet or less. In addition, the material options range from cast iron to stainless steel, making the pumps a contractor's choice for any job.

PRODUCT FAMILY

- Shallow Well VersaJet & VersaJet Pro
- SWJ Series
- Convertible VersaJet & VersaJet Pro
- Convertible Pro (RM2) Series
- C Series
- Jet Pump Accessories

APPLICATIONS

- Fresh Water Supply (depths up to 100')



FAMILY COMPARISON CHART

Model	Performance	20	40	60	80	100	120
SW VersaJet	Shut-off PSI	86					
	Max. Lift	25					
VersaJet Pro	Shut-off PSI	73					
	Max. Lift	25					
SWJ (Cyclone) Series	Shut-off PSI	68					
	Max. Lift	25					
Conv. VersaJet	Shut-off PSI	118					
	Max. Lift	90					
Conv. VersaJet Pro	Shut-off PSI	111					
	Max. Lift	90					
Pro (RM2) Series	Shut-off PSI	90					
	Max. Lift	100					
C Series	Shut-off PSI	90					
	Max. Lift	100					

JET PUMPS - SHALLOW WELL VERSAJET

FEATURES

- Revolutionary “Quick-Change” jet nozzle replacement system allows for easy customization of the pump; performance can be quickly changed from a high pressure to high flow set-up without removing the plumbing or opening the case
- Impeller (with stainless steel insert), diffuser, jet nozzle, and venturi all molded with Modified PPO, a material that increases efficiency and hydraulic performance
- Heavy-duty cast iron case ensures optimum durability and long life
- Floating stainless steel eye seal for maximum performance and efficiency
- Powered by high quality, industry proven, UL778 approved, indoor/outdoor square-flange motors
- Pressure switch installed and set at 30/50 psi
- Built-in drain plug for easy winterizing and servicing
- Handles water temperatures up to 120 °F/49 °C and shut-off pressures up to 90 psi



ORDERING INFORMATION

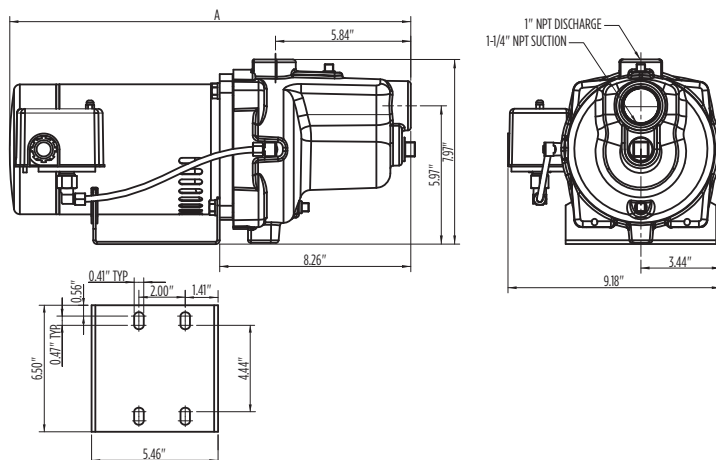
Model	HP	Dis. x Suc. (FNPT)	Voltage	Pump Unit	
				Order No.	Wt. (lbs)
FVJ05CI	1/2	1" x 1-1/4"	115/230	91180005	31
FVJ07CI	3/4			91180007	34
FVJ1CI	1			91180010	51
FVJ15CI	1-1/2			91180015	56

DIMENSIONS

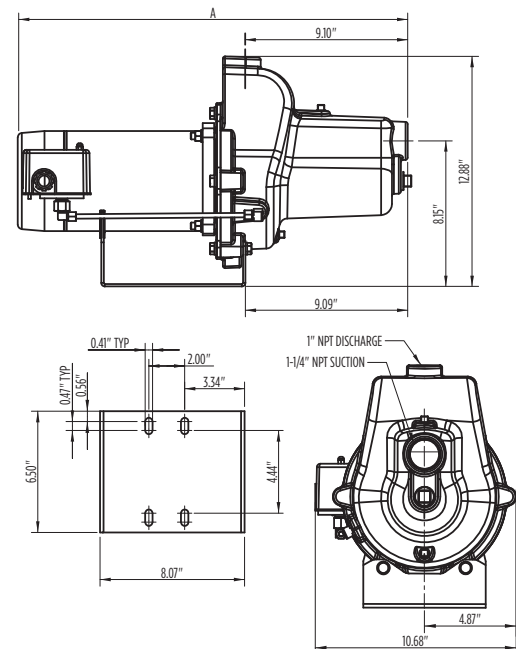
Model	HP	A
FVJ05CI	1/2	17.25"
FVJ07CI	3/4	18.00"
FVJ1CI	1	21.78"
FVJ15CI	1-1/2	22.66"

NOTE: Dimensions will vary according to motor manufacturer

1/2 AND 3/4 HP VERSAJET



1 AND 1.5 HP VERSAJET



JET PUMPS - SHALLOW WELL VERSAJET

PERFORMANCE

1" Dis. x 1-1/4" Suc.			Discharge Pressure (PSI)						Shut-off Pressure (PSI)
Model	Nozzle	Total Suction Lift (ft)	10	20	30	40	50	60	
			Gallons Per Minute (GPM)						
FVJ05CI	Nozzle B (Standard)	5	10.8	10.5	10.1	8.5	4.9	2.1	70
		10	9.4	9.1	8.7	7.5	4.1	1.6	
		15	8.0	7.7	7.4	6.5	3.4	1.1	
		20	6.2	6.0	5.7	5.3	2.6	0.5	
	Nozzle C (High Pressure)	5	9.8	8.9	8.3	7.6	6.3	4.0	86
		10	8.3	7.5	7.1	6.6	5.7	3.5	
		15	6.8	6.2	5.9	5.7	5.1	3.0	
		20	5.3	5.0	4.8	4.6	4.3	2.6	
	Nozzle A (High Flow)	5	3.8	3.8	3.7	3.6	3.5	2.2	47
		10	12.8	12.5	12.1	5.2	-	-	
		15	11.4	11.1	10.8	3.6	-	-	
		20	10.0	9.8	9.6	1.9	-	-	
FVJ07CI	Nozzle C (Standard)	5	12.8	12.5	12.1	5.2	-	-	70
		10	16.3	15.6	15.1	14.1	9.0	3.8	
		15	14.2	13.6	13.1	12.5	7.8	2.9	
		20	12.1	11.6	11.2	10.8	6.5	2.0	
	Nozzle D (High Pressure)	5	9.5	9.1	8.9	8.7	5.0	1.0	73
		10	7.0	6.7	6.7	6.6	3.5	-	
		15	15.8	15.2	14.7	14.1	9.6	4.8	
		20	13.9	13.2	12.8	12.4	8.5	3.9	
	Nozzle A (High Flow)	5	11.9	11.1	10.8	10.6	7.5	3.0	47
		10	9.2	8.8	8.6	8.5	6.2	1.8	
		15	6.5	6.5	6.4	6.4	4.8	0.6	
		20	18.9	18.7	18.4	11.6	-	-	
FVJ1CI	Nozzle B (Standard)	5	16.8	16.6	16.3	8.0	-	-	64
		10	14.8	14.5	14.2	4.4	-	-	
		15	11.8	11.6	11.2	2.2	-	-	
		20	8.8	8.7	8.1	-	-	-	
	Nozzle C (High Pressure)	5	21.5	21.0	20.7	20.4	12.8	3.9	71
		10	19.2	18.8	18.5	18.2	11.3	2.0	
		15	16.9	16.6	16.3	16.0	9.7	-	
		20	13.6	13.4	13.2	13.0	7.4	-	
	Nozzle A (High Flow)	5	10.4	10.3	10.1	10.0	5.0	-	54
		10	20.4	19.8	19.4	19.1	14.6	7.7	
		15	18.1	17.6	17.3	17.1	13.6	6.5	
		20	15.9	15.4	15.2	15.0	12.6	5.2	
FVJ15CI	Nozzle B (Standard)	5	12.7	12.4	12.2	12.1	10.8	3.3	66
		10	9.5	9.3	9.2	9.1	9.0	1.4	
		15	23.3	23.0	22.7	20.2	7.6	-	
		20	20.7	20.3	20.0	17.4	3.8	-	
	Nozzle C (High Pressure)	5	18.1	17.7	17.3	14.6	-	-	72
		10	14.8	14.5	14.2	10.8	-	-	
		15	11.5	11.3	11.1	7.0	-	-	
		20	11.5	11.3	11.1	7.0	-	-	
	Nozzle A (High Flow)	5	29.0	28.6	28.2	27.8	24.0	11.6	59
		10	25.5	25.0	24.8	24.5	21.2	7.7	
		15	21.9	21.5	21.3	21.1	18.5	3.8	
		20	17.6	17.2	16.9	16.7	13.8	1.9	
FVJ15CI	Nozzle C (High Pressure)	5	13.2	12.9	12.6	12.3	9.2	-	72
		10	28.7	28.2	27.9	27.6	26.8	15.5	
		15	25.3	24.8	24.4	24.0	23.4	13.3	
		20	21.9	21.4	20.9	20.5	20.1	11.2	
	Nozzle A (High Flow)	5	17.4	17.1	16.8	16.6	16.3	7.0	59
		10	13.0	12.9	12.7	12.6	12.5	2.8	
		15	30.3	29.9	29.5	29.2	19.5	-	
		20	26.9	26.6	26.2	25.9	15.9	-	
Nozzle A (High Flow)	5	23.6	23.3	22.9	22.6	12.4	-	59	
	10	19.0	18.8	18.5	17.9	6.2	-		
	15	14.5	14.3	14.1	13.2	-	-		
	20	14.5	14.3	14.1	13.2	-	-		

JET PUMPS - SHALLOW WELL VERSAJET PRO

FEATURES

- Revolutionary “Quick-Change” jet nozzle replacement system allows for easy customization of the pump; performance can be quickly changed from a high pressure to high flow set-up without removing the plumbing or opening the case
- Impeller (with stainless steel insert), diffuser, jet nozzle, and venturi all molded with Modified PPO, a material that increases efficiency and hydraulic performance
- Heavy-duty cast iron case ensures optimum durability and long life
- Floating stainless steel eye seal for maximum performance and efficiency
- Powered by high quality, industry proven, UL778 approved, indoor/outdoor square-flange motors
- Pressure switch installed and set at 30/50 psi
- Built-in drain plug for easy winterizing and servicing
- Handles water temperatures up to 120 °F/49 °C and shut-off pressures up to 90 psi



ORDERING INFORMATION

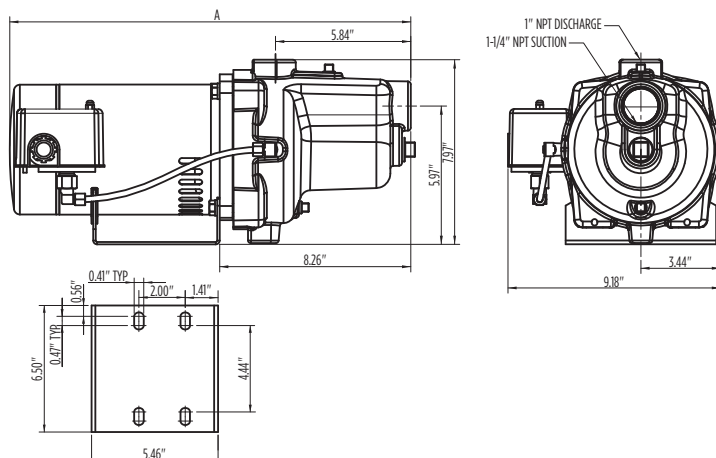
Model	HP	Dis. x Suc. (NPT)	Voltage	Pump Unit	
				Order No.	Wt. (lbs)
FVJ05CI-P	1/2	1" x 1-1/4"	115/230	91181005	34
FVJ07CI-P	3/4			91181007	51
FVJ1CI-P	1			91181010	56

DIMENSIONS

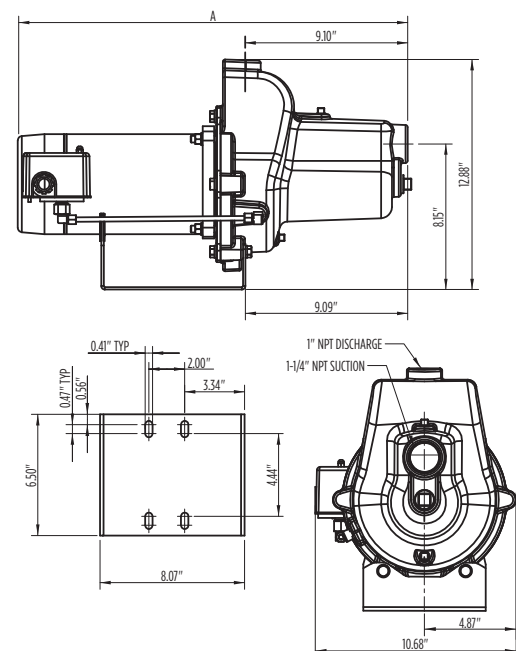
Model	HP	A
FVJ05CI-P	1/2	18.00"
FVJ07CI-P	3/4	21.78"
FVJ1CI-P	1	22.66"

NOTE: Dimensions will vary according to motor manufacturer

1/2 VERSAJET PRO



1 VERSAJET PRO



JET PUMPS - SHALLOW WELL VERSAJET PRO

PERFORMANCE

1" Dis. x 1-1/4" Suc.			Discharge Pressure (PSI)						Shut-off Pressure (PSI)
Model	Nozzle	Total Suction Lift (ft)	10	20	30	40	50	60	
			Gallons Per Minute (GPM)						
FVJ05CI-P	Nozzle C (Standard)	5	16.3	15.6	15.1	14.1	9.0	3.8	70
		10	14.2	13.6	13.1	12.5	7.8	2.9	
		15	12.1	11.6	11.2	10.8	6.5	2.0	
		20	9.5	9.1	8.9	8.7	5.0	1.0	
	Nozzle D (High Pressure)	5	15.8	15.2	14.7	14.1	9.6	4.8	73
		10	13.9	13.2	12.8	12.4	8.5	3.9	
		15	11.9	11.1	10.8	10.6	7.5	3.0	
		20	9.2	8.8	8.6	8.5	6.2	1.8	
	Nozzle A (High Flow)	5	18.9	18.7	18.4	11.6	-	-	47
		10	16.8	16.6	16.3	8.0	-	-	
		15	14.8	14.5	14.2	4.4	-	-	
		20	11.8	11.6	11.2	2.2	-	-	
FVJ07CI-P	Nozzle B (Standard)	5	21.5	21.0	20.7	20.4	12.8	3.9	64
		10	19.2	18.8	18.5	18.2	11.3	2.0	
		15	16.9	16.6	16.3	16.0	9.7	-	
		20	13.6	13.4	13.2	13.0	7.4	-	
	Nozzle C (High Pressure)	5	20.4	19.8	19.4	19.1	14.6	7.7	71
		10	18.1	17.6	17.3	17.1	13.6	6.5	
		15	15.9	15.4	15.2	15.0	12.6	5.2	
		20	12.7	12.4	12.2	12.1	10.8	3.3	
	Nozzle A (High Flow)	5	23.3	23.0	22.7	20.2	7.6	-	54
		10	20.7	20.3	20.0	17.4	3.8	-	
		15	18.1	17.7	17.3	14.6	-	-	
		20	14.8	14.5	14.2	10.8	-	-	
FVJ1CI-P	Nozzle B (Standard)	5	29.0	28.6	28.2	27.8	24.0	11.6	66
		10	25.5	25.0	24.8	24.5	21.2	7.7	
		15	21.9	21.5	21.3	21.1	18.5	3.8	
		20	17.6	17.2	16.9	16.7	13.8	1.9	
	Nozzle C (High Pressure)	5	28.7	28.2	27.9	27.6	26.8	15.5	72
		10	25.3	24.8	24.4	24.0	23.4	13.3	
		15	21.9	21.4	20.9	20.5	20.1	11.2	
		20	17.4	17.1	16.8	16.6	16.3	7.0	
	Nozzle A (High Flow)	5	30.3	29.9	29.5	29.2	19.5	-	59
		10	26.9	26.6	26.2	25.9	15.9	-	
		15	23.6	23.3	22.9	22.6	12.4	-	
		20	19.0	18.8	18.5	17.9	6.2	-	
		25	14.5	14.3	14.1	13.2	-	-	

JET PUMPS - SWJ (CYCLONE) SERIES

FEATURES

- Non-corrosive thermoplastic construction
- Replaceable inline nozzle design for maximum hydraulic efficiency and ease of service
- Self-cleaning, anti-clogging injector screen
- Thermoplastic impeller and diffuser ensure increased hydraulic performance
- Floating stainless steel eye seal for maximum performance and efficiency
- Square-flange mounting provides easy serviceability without disturbing the plumbing
- Built-in drain plug for easy winterizing and servicing
- Mechanical shaft seal allows positive protection against leaking
- Pressure switch is installed and set at 30/50 psi
- Handles water temperatures up to 120 °F/49 °C and working pressure up to 75 psi



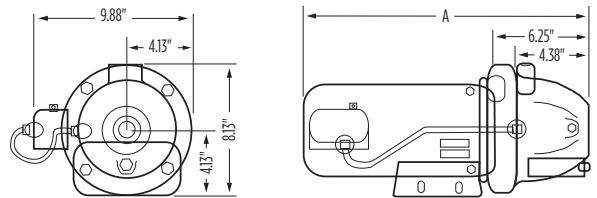
ORDERING INFORMATION

Model	HP	Dis. x Suc. (FNPT)	Voltage	Pump Unit	
				Order No.	Wt. (lbs)
FSWJ05P	1/2	1" x 1-1/4"	115/230	91090005	23
FSWJ07P	3/4			91090007	31

DIMENSIONS

Model	HP	A
FSWJ05P	1/2	17.63"
FSWJ07P	3/4	18.25"

NOTE: Dimensions will vary according to motor manufacturer



PERFORMANCE

Model	HP	Total Suction Lift (ft)	Discharge Pressure (PSI)								Shut-off Pressure (PSI)
			30	35	40	45	50	55	60	65	
			Gallons Per Minute (GPM)								
FSWJ05P	1/2	5	12.0	10.7	9.1	7.2	4.9	2.8	0.9	-	62
		10	-	10.0	8.4	6.3	3.9	1.9	-	-	60
		15	-	-	7.7	5.3	3.0	0.9	-	-	57
		20	-	-	6.4	4.3	2.2	0.2	-	-	55
		25	-	-	5.0	3.3	1.4	-	-	-	53
FSWJ07P	3/4	5	-	16.0	14.4	12.6	10.6	8.3	5.0	1.8	68
		10	-	-	13.5	11.8	9.7	6.9	3.6	0.2	65
		15	-	-	-	11.0	8.8	5.4	2.2	-	63
		20	-	-	-	9.0	7.2	3.9	0.8	-	60
		25	-	-	-	-	5.6	2.3	-	-	58

JET PUMPS - CONVERTIBLE VERSAJET

FEATURES

- Heavy-duty cast iron case ensures optimum durability and long life
- Modular suction flange system to retrofit current installations without disturbing the existing plumbing
- Thermoplastic impeller and diffuser precision molded for high efficiency and dependability
- Phenolic/Ceramic mechanical shaft seal ensures leakproof fit and maximum pressure handling capability
- Adjustable pressure switch is factory set at 30/50 psi
- Powered by high quality, industry proven, UL778 approved, indoor/outdoor square-flange motors
- Built-in drain plug for easy winterization and servicing



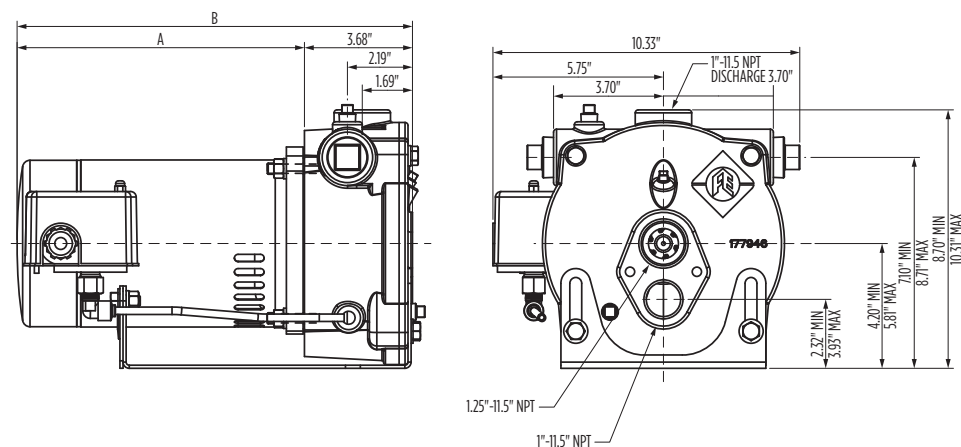
ORDERING INFORMATION

Model	HP	Dis. x Suc. (FNPT)	Voltage	Shallow-Well Kits			Deep-Well Kits		
				Order No.	Incl. Injector	Wt. (lbs)	Order No.	Incl. Injector	Wt. (lbs)
FCVJ05CI	1/2	1" x 1-1/4"	115/230	96130005SW	SW2	48	96130005DW	DW5	49
FCVJ07CI	3/4			96130007SW	SW6	51	96130007DW	DW1	52
FCVJ10CI	1			96130010SW	SW5	54	96130010DW	DW4	55
FCVJ15CI	1-1/2			96130015SW	SW5	58	96130015DW	DW2	59

NOTE: Deep-well installations require a 4" inside well diameter and control valve 96150951

DIMENSIONS

Model	HP	A	B
FCVJ05CI	1/2	9.63"	13.31"
FCVJ07CI	3/4	10.38"	14.06"
FCVJ10CI	1	11.00"	13.68"
FCVJ15CI	1-1/2	11.88"	15.56"



NOTE: Dimensional illustration shown with K1-S flange installed

JET PUMPS - CONVERTIBLE VERSAJET

SHALLOW-WELL PERFORMANCE

CVJ Series				Discharge Pressure (PSI)						Shut-off Pressure (PSI)
Model	HP	Injector Kit	Total Suction Lift (ft)	30	40	50	60	70	80	
				Gallons Per Minute (GPM)						
FCVJ05CI	1/2	SW1	5	11.5	7.0	3.9	-	-	-	61
			10	10.2	6.4	3.2	-	-	-	59
			15	9.1	5.8	2.4	-	-	-	57
			20	8.0	5.1	1.7	-	-	-	55
			25	6.5	4.4	0.8	-	-	-	53
		SW2	5	10.6	6.6	4.6	2.4	-	-	71
			10	9.3	6.2	4.1	1.9	-	-	69
			15	8.2	5.7	3.7	1.4	-	-	67
			20	6.8	5.2	3.1	1.0	-	-	65
			25	5.2	4.8	2.6	0.6	-	-	63
		SW3	5	8.0	5.8	4.6	3.2	1.9	0.8	88
			10	6.9	5.5	4.3	2.9	1.7	0.6	86
			15	5.9	5.2	4.0	2.7	1.4	-	84
			20	-	4.7	3.6	2.4	1.2	-	82
			25	-	3.7	3.3	2.1	1.0	-	80
FCVJ07CI	3/4	SW5	5	-	-	-	-	-	-	-
			10	16.7	14.0	8.2	2.8	-	-	65
			15	-	12.7	6.8	1.6	-	-	63
			20	-	11.3	5.7	-	-	-	61
			25	-	8.8	4.6	-	-	-	59
		SW6	5	11.8	11.8	8.6	5.3	2.9	0.8	85
			10	-	10.2	7.8	4.7	2.5	-	83
			15	-	8.7	7.0	4.2	2.2	-	81
			20	-	7.1	6.2	3.8	1.7	-	79
			25	-	-	5.5	3.4	1.2	-	77
		SW7	5	-	8.2	7.9	5.7	3.8	2.4	101
			10	-	7.1	6.9	5.3	3.6	2.2	99
			15	-	-	6.1	4.8	3.3	1.9	97
			20	-	-	5.1	4.4	3.1	1.7	95
			25	-	-	4.1	4.0	2.7	1.4	93
FCVJ10CI	1	SW4	5	21.4	18.6	11.8	5.2	-	-	68
			10	18.8	17.1	10.4	3.8	-	-	66
			15	16.2	15.4	8.9	2.4	-	-	64
			20	13.4	13.4	7.5	0.8	-	-	61
			25	10.5	10.5	6.2	-	-	-	59
		SW5	5	18.7	18.5	13.0	7.7	2.8	-	76
			10	-	16.4	11.8	6.6	1.6	-	73
			15	-	14.2	10.7	5.4	-	-	71
			20	-	11.6	9.5	4.5	-	-	69
			25	-	9.0	8.4	3.6	-	-	67
		SW6	5	-	11.7	11.1	7.8	5.2	3.1	98
			10	-	10.3	10.2	7.2	4.8	2.8	96
			15	-	-	8.8	6.7	4.4	2.5	94
			20	-	-	7.3	6.2	4.0	2.1	92
			25	-	-	5.7	5.6	3.6	1.7	90
FCVJ15CI	1-1/2	SW4	5	-	21.3	20.5	13.5	6.6	-	81
			10	-	18.7	18.3	11.8	5.2	-	78
			15	-	16.0	15.9	10.1	3.8	-	76
			20	-	13.3	13.3	8.6	2.0	-	73
			25	-	10.5	10.5	-	-	-	71
		SW5	5	-	-	18.3	15.2	9.5	4.4	89
			10	-	-	16.1	13.8	8.5	3.4	87
			15	-	-	13.9	12.4	7.4	2.3	85
			20	-	-	11.4	10.9	6.0	1.1	82
			25	-	-	8.8	8.8	4.7	-	80
		SW6	5	-	-	11.4	11.3	9.3	6.7	118
			10	-	-	-	10.1	8.6	6.2	116
			15	-	-	-	8.7	8.0	5.7	113
			20	-	-	-	7.2	7.1	5.3	111
			25	-	-	-	-	5.7	4.8	108

NOTES: Pressure switch preset to 30-50 psi; maximum pump working pressure is 150 psi

JET PUMPS - CONVERTIBLE VERSAJET

DEEP-WELL PERFORMANCE

CVJ Series				Discharge Pressure (PSI)						Shut-off Pressure (PSI)
Model	HP	Injector Kit	Total Suction Lift (ft)	30	35	40	45	50	55	
				Gallons Per Minute (GPM)						
FCVJ05CI	1/2	DW2	30	8.0	4.4	1.5	-	-	-	56
			40	6.3	3.0	-	-	-	-	51
			50	4.6	1.6	-	-	-	-	46
			60	2.9	-	-	-	-	-	41
			70	1.6	-	-	-	-	-	36
			80	-	-	-	-	-	-	-
		DW5	30	6.0	4.5	3.0	2.0	1.2	-	87
			40	5.3	3.8	2.5	1.6	0.8	-	81
			50	4.4	3.1	2.0	1.1	-	-	76
			60	3.6	2.4	1.5	0.7	-	-	70
			70	3.0	1.9	1.0	-	-	-	64
			80	2.3	1.3	0.6	-	-	-	58
FCVJ07CI	3/4	DW2	30	11.1	7.2	4.0	1.3	-	-	65
			40	9.3	5.7	2.7	-	-	-	60
			50	7.4	4.2	1.5	-	-	-	55
			60	5.6	2.7	-	-	-	-	51
			70	4.1	1.3	-	-	-	-	45
			80	2.7	-	-	-	-	-	40
		DW1	30	-	6.6	5.0	3.4	2.2	1.3	97
			40	6.6	6.0	4.2	2.8	1.7	0.9	92
			50	6.6	5.1	3.5	2.3	1.3	-	86
			60	5.9	4.1	2.7	1.7	0.8	-	81
			70	5.0	3.4	2.2	1.2	-	-	76
			80	4.1	2.7	1.6	0.8	-	-	70
FCVJ10CI	1	DW2	30	12.2	9.9	6.3	3.5	0.8	-	74
			40	11.4	8.2	4.9	2.2	-	-	69
			50	9.7	6.5	3.5	0.8	-	-	64
			60	7.9	4.8	2.1	-	-	-	59
			70	6.1	3.4	0.8	-	-	-	53
			80	4.3	2.0	-	-	-	-	48
		DW4	30	-	7.9	5.9	4.1	2.7	1.4	94
			40	7.9	6.9	5.0	3.4	2.1	0.9	88
			50	7.5	5.8	4.1	2.6	1.4	-	83
			60	6.6	4.7	3.2	1.9	0.8	-	77
			70	5.5	3.9	2.5	1.3	-	-	71
			80	4.4	3.1	1.7	0.6	-	-	66
FCVJ15CI	1-1/2	DW3	30	-	16.5	9.8	3.5	-	-	67
			40	-	13.0	6.9	1.0	-	-	62
			50	-	9.4	4.1	-	-	-	57
			60	-	5.9	1.2	-	-	-	52
			70	-	4.9	2.5	-	-	-	60
			80	-	3.3	1.1	-	-	-	55
		DW2	30	-	12.2	10.3	7.0	4.1	1.5	87
			40	-	11.4	8.6	5.5	2.8	-	82
			50	-	9.7	6.9	4.0	1.4	-	76
			60	-	8.2	5.2	2.5	-	-	71
			70	-	6.6	3.8	1.3	-	-	66
			80	-	4.9	2.5	-	-	-	60
DW4	30	-	7.9	7.8	6.3	4.8	3.3	111		
	40	-	7.9	7.3	5.4	4.0	2.6	105		
	50	-	7.8	6.3	4.6	3.2	2.0	99		
	60	-	7.0	5.2	3.7	2.4	1.3	93		
	70	-	6.0	4.4	3.0	1.8	0.7	87		
	80	-	5.1	3.6	2.3	1.2	-	82		
90	-	4.1	2.8	1.6	0.6	-	76			

NOTES: Pressure switch preset to 30-50 psi; maximum pump working pressure is 150 psi

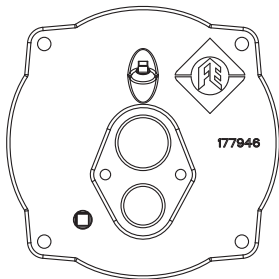
JET PUMPS - CONVERTIBLE VERSAJET

CUSTOM ORDERING INFORMATION

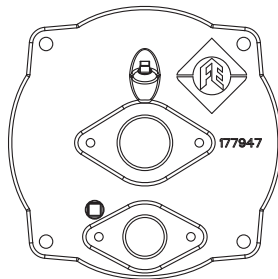
STEP 1: Select a pump and motor size (a small amount of distributor or contractor assembly required).

Model	HP	Dis. x Suc. (FNPT)	Voltage	Pump (w/o Flange Kit)	
				Order No.	Wt. (lbs)
FCVJ05CI	1/2	1" x 1-1/4"	115/230	96130005	36
FCVJ07CI	3/4			96130007	39
FCVJ10CI	1			96130010	42
FCVJ15CI	1-1/2			96130015	46

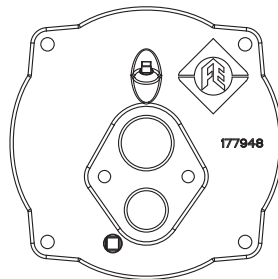
STEP 2: (skip for new installations): Select the suction flange kit (modular face plate) needed for replacement (if the injector assembly remains on the pipe and only the pump and motor are being replaced).



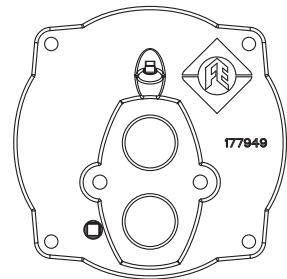
K1-S



K2-G



K3-F



K4-M

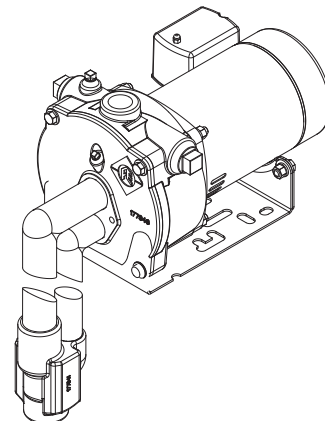
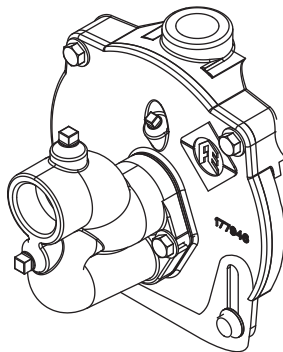
NOTE: Contact Franklin Electric customer relations for competitive replacement identification.

STEP 3: (optional for replacement installations): Select the injector kit based on performance requirements (K1-S face plate flange and hardware included with all injector kits). A control valve is required for deep-well installations.

Shallow-Well Injector Kits		
Model	Order No.	Wt. (lbs)
SW1	96151001	12
SW2	96151002	
SW3	96151003	
SW4	96151004	
SW5	96151005	
SW6	96151006	
SW7	96151007	

Deep-Well Injector Kits*		
Model	Order No.	Wt. (lbs)
DW1	96152001	13
DW2	96152002	
DW3	96152003	
DW4	96152004	
DW5	96152005	

*Deep-well installations require a 4" inside well diameter and control valve 96150951



JET PUMPS - CONVERTIBLE VERSAJET PRO

FEATURES

- Heavy-duty cast iron case ensures optimum durability and long life
- Modular suction flange system to retrofit current installations without disturbing the existing plumbing
- Thermoplastic impeller and diffuser precision molded for high efficiency and dependability.
- Phenolic/Ceramic mechanical shaft seal ensures leakproof fit and maximum pressure handling capability
- Adjustable pressure switch is factory set at 30/50 psi
- Powered by high quality, industry proven, UL778 approved, indoor/outdoor square-flange motors
- Built-in drain plug for easy winterization and servicing



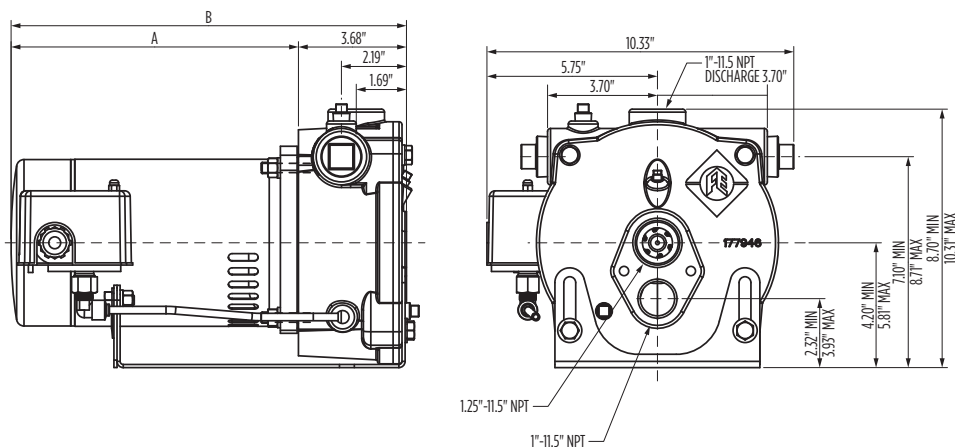
ORDERING INFORMATION

Model	HP	Dis. x Suc. (FNPT)	Voltage	Shallow-Well Kits			Deep-Well Kits		
				Order No.	Incl. Injector	Wt. (lbs)	Order No.	Incl. Injector	Wt. (lbs)
FCVJ05CI-P	1/2	1" x 1-1/4"	115/230	96131005SW	SW6	51	96131005DW	DW1	52
FCVJ07CI-P	3/4			96131007SW	SW5	54	96131007DW	DW4	55
FCVJ10CI-P	1			96131010SW	SW5	58	96131010DW	DW2	59

NOTE: Deep-well installations require a 4" inside well diameter and control valve 96150951

DIMENSIONS

Model	HP	A	B
FCVJ05CI-P	1/2	10.38"	14.06"
FCVJ07CI-P	3/4	11.00"	13.68"
FCVJ10CI-P	1	11.88"	15.56"



NOTE: Dimensional illustration shown with K1-S flange installed

JET PUMPS - CONVERTIBLE VERSAJET PRO

SHALLOW-WELL PERFORMANCE

CVJ Pro Series				Discharge Pressure (PSI)						Shut-off Pressure (PSI)	
Model	HP	Injector Kit	Total Suction Lift (ft)	30	40	50	60	70	80		
				Gallons Per Minute (GPM)							
FCVJ05CI-P	1/2	SW5	5	-	-	-	-	-	-	-	-
			10	16.7	14.0	8.2	2.8	-	-	65	
			15	-	12.7	6.8	1.6	-	-	63	
			20	-	11.3	5.7	-	-	-	61	
			25	-	8.8	4.6	-	-	-	59	
		SW6	5	11.8	11.8	8.6	5.3	2.9	0.8	85	
			10	-	10.2	7.8	4.7	2.5	-	83	
			15	-	8.7	7.0	4.2	2.2	-	81	
			20	-	7.1	6.2	3.8	1.7	-	79	
			25	-	-	5.5	3.4	1.2	-	77	
		SW7	5	-	8.2	7.9	5.7	3.8	2.4	101	
			10	-	7.1	6.9	5.3	3.6	2.2	99	
			15	-	-	6.1	4.8	3.3	1.9	97	
			20	-	-	5.1	4.4	3.1	1.7	95	
			25	-	-	4.1	4.0	2.7	1.4	93	
FCVJ07CI-P	3/4	SW4	5	21.4	18.6	11.8	5.2	-	-	68	
			10	18.8	17.1	10.4	3.8	-	-	66	
			15	16.2	15.4	8.9	2.4	-	-	64	
			20	13.4	13.4	7.5	0.8	-	-	61	
			25	10.5	10.5	6.2	-	-	-	59	
		SW5	5	18.7	18.5	13.0	7.7	2.8	-	76	
			10	-	16.4	11.8	6.6	1.6	-	73	
			15	-	14.2	10.7	5.4	-	-	71	
			20	-	11.6	9.5	4.5	-	-	69	
			25	-	9.0	8.4	3.6	-	-	67	
		SW6	5	-	11.7	11.1	7.8	5.2	3.1	98	
			10	-	10.3	10.2	7.2	4.8	2.8	96	
			15	-	-	8.8	6.7	4.4	2.5	94	
			20	-	-	7.3	6.2	4.0	2.1	92	
			25	-	-	5.7	5.6	3.6	1.7	90	
FCVJ10CI-P	1	SW4	5	-	21.3	20.5	13.5	6.6	-	81	
			10	-	18.7	18.3	11.8	5.2	-	78	
			15	-	16.0	15.9	10.1	3.8	-	76	
			20	-	13.3	13.3	8.6	2.0	-	73	
			25	-	10.5	10.5	-	-	-	71	
		SW5	5	-	-	18.3	15.2	9.5	4.4	89	
			10	-	-	16.1	13.8	8.5	3.4	87	
			15	-	-	13.9	12.4	7.4	2.3	85	
			20	-	-	11.4	10.9	6.0	1.1	82	
			25	-	-	8.8	8.8	4.7	-	80	
		SW6	5	-	-	11.4	11.3	9.3	6.7	118	
			10	-	-	-	10.1	8.6	6.2	116	
			15	-	-	-	8.7	8.0	5.7	113	
			20	-	-	-	7.2	7.1	5.3	111	
			25	-	-	-	-	5.7	4.8	108	

NOTES: Pressure switch preset to 30-50 psi; maximum pump working pressure is 150 psi

JET PUMPS - CONVERTIBLE VERSAJET PRO

DEEP-WELL PERFORMANCE

CVJ Pro Series				Discharge Pressure (PSI)						Shut-off Pressure (PSI)
Model	HP	Injector Kit	Total Suction Lift (ft)	30	35	40	45	50	55	
				Gallons Per Minute (GPM)						
FCVJ05CI-P	1/2	DW2	30	11.1	7.2	4.0	1.3	-	-	65
			40	9.3	5.7	2.7	-	-	-	60
			50	7.4	4.2	1.5	-	-	-	55
			60	5.6	2.7	-	-	-	-	51
			70	4.1	1.3	-	-	-	-	45
			80	2.7	-	-	-	-	-	40
		DW1	90	1.2	-	-	-	-	-	35
			30	-	6.6	5.0	3.4	2.2	1.3	97
			40	6.6	6.0	4.2	2.8	1.7	0.9	92
			50	6.6	5.1	3.5	2.3	1.3	-	86
			60	5.9	4.1	2.7	1.7	0.8	-	81
			70	5.0	3.4	2.2	1.2	-	-	76
			80	4.1	2.7	1.6	0.8	-	-	70
			90	3.1	2.0	1.1	-	-	-	65
FCVJ07CI-P	3/4	DW2	30	12.2	9.9	6.3	3.5	0.8	-	74
			40	11.4	8.2	4.9	2.2	-	-	69
			50	9.7	6.5	3.5	0.8	-	-	64
			60	7.9	4.8	2.1	-	-	-	59
			70	6.1	3.4	0.8	-	-	-	53
			80	4.3	2.0	-	-	-	-	48
		DW4	90	2.5	0.6	-	-	-	-	43
			30	-	7.9	5.9	4.1	2.7	1.4	94
			40	7.9	6.9	5.0	3.4	2.1	0.9	88
			50	7.5	5.8	4.1	2.6	1.4	-	83
			60	6.6	4.7	3.2	1.9	0.8	-	77
			70	5.5	3.9	2.5	1.3	-	-	71
			80	4.4	3.1	1.7	0.6	-	-	66
			90	3.3	2.3	1.0	-	-	-	60
FCVJ10CI-P	1	DW3	30	-	16.5	9.8	3.5	-	-	67
			40	-	13.0	6.9	1.0	-	-	62
			50	-	9.4	4.1	-	-	-	57
			60	-	5.9	1.2	-	-	-	52
		DW2	30	-	12.2	10.3	7.0	4.1	1.5	87
			40	-	11.4	8.6	5.5	2.8	-	82
			50	-	9.7	6.9	4.0	1.4	-	76
			60	-	8.2	5.2	2.5	-	-	71
			70	-	6.6	3.8	1.3	-	-	66
			80	-	4.9	2.5	-	-	-	60
		DW4	90	-	3.3	1.1	-	-	-	55
			30	-	7.9	7.8	6.3	4.8	3.3	111
			40	-	7.9	7.3	5.4	4.0	2.6	105
			50	-	7.8	6.3	4.6	3.2	2.0	99
			60	-	7.0	5.2	3.7	2.4	1.3	93
			70	-	6.0	4.4	3.0	1.8	0.7	87
			80	-	5.1	3.6	2.3	1.2	-	82
			90	-	4.1	2.8	1.6	0.6	-	76

NOTES: Pressure switch preset to 30-50 psi; maximum pump working pressure is 150 psi

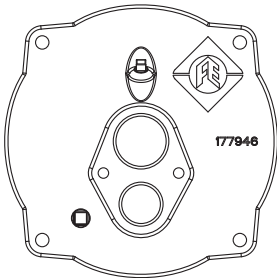
JET PUMPS - CONVERTIBLE VERSAJET PRO

CUSTOM ORDERING INFORMATION

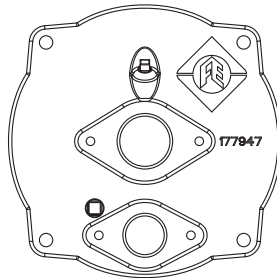
STEP 1: Select a pump and motor size (a small amount of distributor or contractor assembly required).

Model	HP	Dis. x Suc. (FNPT)	Voltage	Pump (w/o Flange Kit)	
				Order No.	Wt. (lbs)
FCVJ05CI	1/2	1" x 1-1/4"	115/230	96131005	36
FCVJ07CI	3/4			96131007	39
FCVJ10CI	1			96131010	42

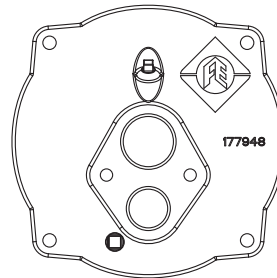
STEP 2: (skip for new installations): Select the suction flange kit (modular face plate) needed for replacement (if the injector assembly remains on the pipe and only the pump and motor are being replaced).



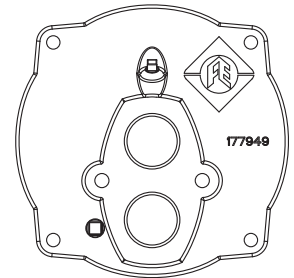
K1-S



K2-G



K3-F



K4-M

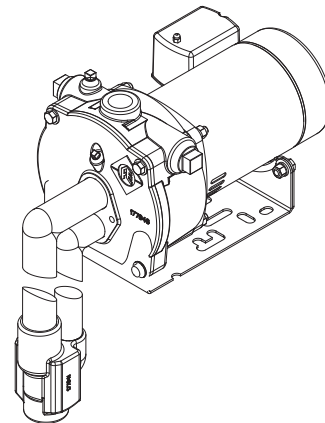
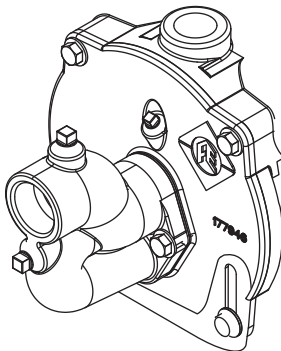
NOTE: Contact Franklin Electric customer relations for competitive replacement identification.

STEP 3: (optional for replacement installations): Select the injector kit based on performance requirements (K1-S face plate flange and hardware included with all injector kits). A control valve is required for deep-well installations.

Shallow-Well Injector Kits		
Model	Order No.	Wt. (lbs)
SW1	96151001	12
SW2	96151002	
SW3	96151003	
SW4	96151004	
SW5	96151005	
SW6	96151006	
SW7	96151007	

Deep-Well Injector Kits*		
Model	Order No.	Wt. (lbs)
DW1	96152001	13
DW2	96152002	
DW3	96152003	
DW4	96152004	
DW5	96152005	

*Deep-well installations require a 4" inside well diameter and control valve 96150951



JET PUMPS - CONVERTIBLE PRO (RM2) SERIES

FEATURES

- Heavy-duty cast iron case and stainless steel impeller ensure optimum durability
- Thermoplastic diffuser is molded for efficiency and dependability
- Screw-in injector for easy conversion from shallow- to deep-well installation
- Shaft coupling designed for easy removal of motor
- Mechanical shaft seal ensures leakproof fit and continuous water lubrication
- High service factor 56C-frame motor for maximum performance
- Hardware kit allows for versatility of installation and includes pressure gauge, plugs, shallow-well injector, and bypass plug
- Adjustable pressure switch installed and set at 30/50 psi
- Maximum temperature of 140 °F/60 °C



ORDERING INFORMATION

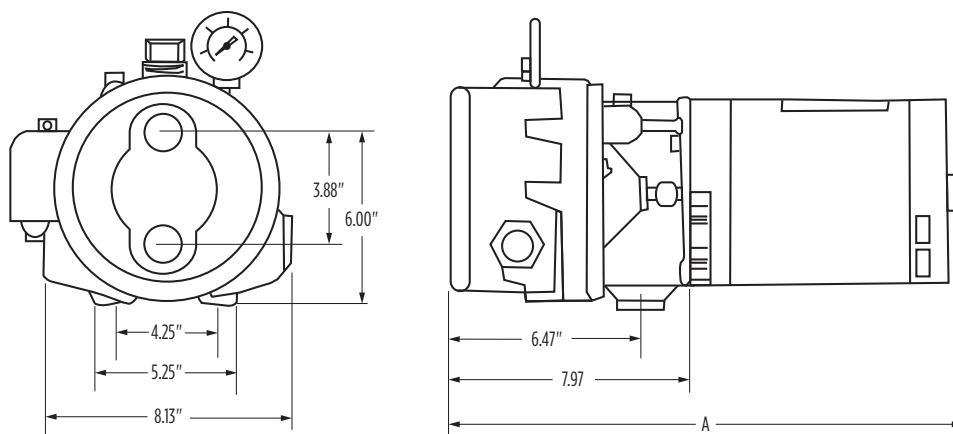
Model	HP	Dis. x Suc. (FNPT)	Voltage	Pump Unit		Shallow-Well Injector			Deep-Well Injector		
				Order No.	Wt. (lbs)	Total Suction Lift (ft)	Order No.	Wt. (lbs)	Total Suction Lift (ft)	Order No.	Wt. (lbs)
FP05CI-C	1/2	1" x 1-1/4"	115/230	91140005	48	5-25	18127803R	1	30-60	147E1120	7
FP07CI-C	3/4			91140007	51	5-25	18127902R	1	50-100	147E0915	7
FP1CI-C	1			91140010	53	5-25	18128009R	1	30-60	147E1023	7
									50-100	147E1118	7
									30-60	147E1125	7
									50-100	147E1120	7

NOTES: Order deep-well injector separately; minimum inside well diameter requirement of 4" for deep-well injectors; parallel pipe injectors are required for deep well installations

DIMENSIONS

Model	HP	A
FP05CI-C	1/2	18.65"
FP07CI-C	3/4	19.15"
FP1CI-C	1	19.65"

NOTE: Dimensions will vary according to motor manufacturer



JET PUMPS - CONVERTIBLE PRO (RM2) SERIES

SHALLOW-WELL PERFORMANCE

1" Dis. x 1-1/4" Suc.				Discharge Pressure (PSI)												Shut-off Pressure (PSI)			
Model	HP	Injector Order No.	Total Suction Lift (ft)	30	35	40	45	50	55	60	65	70	75	80	85		90		
				Gallons Per Minute (GPM)															
FP05CI-C	1/2	18127803R	5	15.5	13.5	11.0	8.5	6.0	4.0	2.0	-	-	-	-	-	-	65		
			10	13.5	12.5	10.0	7.5	5.0	3.0	1.0	-	-	-	-	-	-	-	63	
			15	11.5	10.5	8.5	6.0	4.0	2.0	-	-	-	-	-	-	-	-	60	
			20	9.5	9.0	7.5	5.0	3.0	1.0	-	-	-	-	-	-	-	-	-	58
			25	7.0	7.0	6.0	4.0	2.0	-	-	-	-	-	-	-	-	-	-	55
FP07CI-C	3/4	18127902R	5	19.0	18.5	18.0	16.0	12.5	9.5	6.5	3.5	-	-	-	-	-	-	70	
			10	16.5	16.0	15.5	14.0	10.0	8.0	4.5	1.5	-	-	-	-	-	-	68	
			15	14.5	14.0	13.5	12.5	9.5	6.5	3.5	-	-	-	-	-	-	-	-	66
			20	-	11.5	11.0	10.0	8.0	5.0	2.0	-	-	-	-	-	-	-	-	63
			25	-	-	8.5	8.0	6.5	3.5	1.0	-	-	-	-	-	-	-	-	61
FP1CI-C	1	18128009R	5	23.0	22.5	22.0	21.5	20.0	17.5	14.0	10.5	7.0	-	-	-	-	-	81	
			10	-	19.5	19.0	18.5	17.5	15.5	12.5	9.0	5.5	-	-	-	-	-	78	
			15	-	16.5	16.0	15.5	15.0	13.5	11.0	7.5	4.5	-	-	-	-	-	76	
			20	-	-	13.5	13.0	12.5	11.5	9.5	6.0	2.5	-	-	-	-	-	74	
			25	-	-	-	10.0	10.0	9.5	7.5	4.5	1.0	-	-	-	-	-	-	71
FP1CI-C (High Head)	1	18127803R	5	-	-	-	-	-	-	11.0	10.0	7.5	5.5	3.5	1.5	-	90		
			10	-	-	-	-	-	-	10.0	8.5	6.5	4.5	2.5	-	-	88		
			15	-	-	-	-	-	-	9.0	7.5	5.5	3.5	1.5	-	-	84		
			20	-	-	-	-	-	-	8.0	6.0	4.0	2.0	-	-	-	81		
			25	-	-	-	-	-	-	7.0	5.0	3.0	1.0	-	-	-	78		

NOTES: Pressure switch pre-set 30-50 psi; the appropriate injector is included with the units; maximum pump working pressure is 150 psi; all the above discharge pressures were measured using 1.25" PVC suction pipe and 1.25" foot valve

JET PUMPS - CONVERTIBLE PRO (RM2) SERIES

DEEP-WELL PERFORMANCE

1" Dis. x 1-1/4" Suc. 1" Drive Pipe				Discharge Pressure (PSI)									Shut-off Pressure (PSI)	Inj. Min. Operating Pressure	
Model	HP	Injector Order No.	Total Suction Lift (ft)	30	35	40	45	50	55	60	65	70			
				Gallons Per Minute (GPM)											
FP05CI-C	1/2	147E1120	30	9.0	7.0	5.5	4.0	2.5	1.5	-	-	-	65	18	
			40	7.5	6.0	4.0	3.0	1.5	-	-	-	-	59		
			50	6.0	4.5	3.0	2.0	1.0	-	-	-	-	56		
			60	5.0	3.5	2.0	1.0	-	-	-	-	-	52		
		147E0915	50	6.0	5.0	4.0	3.0	2.5	2.0	1.0	-	-	-	74	23
			60	5.0	4.0	3.5	2.5	2.0	1.0	-	-	-	70		
			70	4.0	3.5	2.5	2.0	1.5	-	-	-	-	65		
			80	3.5	3.0	2.0	1.5	1.0	-	-	-	-	61		
			90	3.0	2.0	1.5	1.0	-	-	-	-	-	57		
			100	2.5	1.5	1.0	-	-	-	-	-	-	52		
FP07CI-C	3/4	147E1023	30	15.5	13.5	11.0	8.5	6.5	4.0	2.0	-	-	66	18	
			40	13.5	11.5	9.0	7.0	4.5	2.4	-	-	-	61		
			50	11.0	9.5	7.0	5.0	3.0	-	-	-	-	57		
			60	9.0	7.5	5.0	3.0	1.0	-	-	-	-	53		
		147E1118	50	9.0	8.0	7.0	6.0	4.5	3.5	3.0	2.0	1.0	-	80	23
			60	8.0	7.0	6.0	4.5	4.0	3.0	2.0	1.5	-	-	77	
			70	6.5	5.5	4.5	3.5	3.0	2.0	1.0	-	-	-	72	
			80	6.0	5.0	4.0	3.0	2.0	1.5	-	-	-	-	67	
			90	5.0	4.0	3.0	2.0	1.5	-	-	-	-	-	63	
			100	4.0	3.0	2.5	1.5	1.0	-	-	-	-	-	30	
FP1CI-C	1	147E1125	30	19.5	17.0	14.5	12.0	9.5	7.0	5.0	-	-	72	30	
			40	17.5	15.0	12.5	10.0	7.5	5.0	3.0	-	-	67		
			50	15.5	13.0	10.5	8.0	5.5	3.5	1.0	-	-	63		
			60	13.0	10.5	8.5	6.0	3.5	1.5	-	-	-	59		
		147E1120	50	-	11.0	9.5	8.0	6.5	5.0	4.0	3.0	2.0	-	82	36
			60	-	10.0	8.0	7.0	5.5	4.0	3.0	2.0	1.0	-	78	
			70	-	8.0	7.0	6.0	4.5	3.0	2.0	1.0	-	-	73	
			80	-	7.0	6.0	4.5	3.5	2.0	1.5	-	-	-	70	
			90	-	6.0	5.0	3.5	2.5	1.5	-	-	-	-	65	
			100	-	5.0	4.0	3.0	1.5	-	-	-	-	-	61	

NOTES: Pressure switch pre-set 30-50 psi; maximum pump working pressure 150 psi; all above discharge pressures were measured using 1.25" PVC suction pipe and 1.25" foot valve and 1 drive pipe

JET PUMPS - CONVERTIBLE C SERIES

FEATURES

- Heavy-duty cast iron construction for long life
- Stainless steel impeller for high performance
- Thermoplastic diffuser is molded for efficiency and dependability
- Screw-in injector for easy conversion from shallow- to deep-well installation
- Stainless steel shaft on motor for direct mounting of impeller
- Mechanical shaft seal ensures leakproof fit and continuous lubrication
- Factory assembled as a shallow-well unit
- Hardware kit allows for versatility of installation and includes pressure gauge, pipe plug, shallow-well injector, and bypass plug
- Deep-well injector must be ordered separately
- Standard 30-50 psi adjustable pressure switch



ORDERING INFORMATION

Model No.	HP	Suc. x Dis. (FNPT)	Voltage	Pump Unit		Deep-Well Injector		
				Order No.	Wt. (lbs)	Total Suction Lift (ft)	Order No.	Wt. (lbs)
FE05CI-C	1/2	1-1/4" x 1"	115/230	91060020	45	20-60	147E1018	7
						60-90	147E1117	
						90-120	147E1115	
FE07CI-C	3/4	1-1/4" x 1"	115/230	91060053	50	20-60	147E1124	
						50-90	147E1019	
						80-120	147E0914	

NOTE: Order deep-well injector separately; minimum inside well diameter requirement of 4" for deep-well injectors;

JET PUMPS - CONVERTIBLE C SERIES

SHALLOW-WELL PERFORMANCE

C Series				Discharge Pressure (PSI)						Shut-off Pressure (PSI)
Model No.	HP	Injector Order No.	Total Suction Lift (ft)	30	35	40	45	50	55	
				Gallons Per Minute (GPM)						
FE05CI-C	1/2	18170605R	5	10.2	8.9	6.6	4.8	3.3	1.8	61
			10	9.3	7.8	5.8	4.1	2.7	1.2	59
			15	8.4	6.9	5.0	3.5	2.0	0.6	57
			20	7.6	6.0	4.3	2.8	1.4	-	55
			25	6.6	5.3	3.6	2.2	0.8	-	53
FE07CI-C	3/4	18170704R	5	15.8	15.7	14.1	10.7	7.5	4.0	61
			10	15.0	14.9	12.8	9.2	6.0	2.5	59
			15	14.0	13.9	11.3	7.9	4.5	1.0	57
			20	12.5	12.4	9.6	6.4	3.0	-	54
			25	10.5	10.4	8.3	4.9	1.5	-	52

NOTE: The appropriate shallow-well injector is included; pressure switch preset to 30-50 psi; maximum pump working pressure is 150 psi

DEEP-WELL PERFORMANCE

C Series				Discharge Pressure (PSI)					Shut-off Pressure (PSI)
Model No.	HP	Injector Order No.	Total Suction Lift (ft)	30	35	40	45	50	
				Gallons Per Minute (GPM)					
FE05CI-C	1/2	147E1018	20	10.5	8.5	7.0	6.0	4.5	61
			30	8.5	7.0	5.5	4.0	3.5	59
			40	7.0	5.5	4.5	3.5	2.5	57
			50	5.5	4.5	4.0	3.0	2.0	55
			60	4.5	3.5	3.0	2.0	1.0	53
		147E1117	60	5.0	4.0	3.5	3.0	2.5	70
			70	4.0	3.5	3.0	2.5	2.0	66
			80	3.5	3.0	2.5	2.0	1.5	61
			90	3.0	2.5	2.0	1.5	1.0	56
		147E1115	90	3.0	2.5	2.0	1.5	1.0	64
			100	2.5	2.0	1.5	1.0	0.5	60
			110	2.0	1.5	1.0	0.5	-	56
FE07CI-C	3/4	147E1124	120	1.5	1.0	0.5	-	-	52
			20	16	14.0	12.0	10.0	8.0	69
			30	14	12.0	10.0	8.0	6.0	64
			40	11.5	10.0	7.5	6.0	4.0	59
			50	10	8.0	6.0	4.0	2.0	55
			60	7.5	6.0	4.0	2.0	-	50
		147E1019	50	9.5	8.5	7.5	6.5	5.5	74
			60	8.0	7.0	6.0	5.0	4.0	70
			70	7.0	6.0	5.0	4.0	3.0	66
			80	6.0	5.0	4.0	3.0	2.0	61
		147E0914	90	4.5	3.5	2.5	2.0	1.0	56
			80	6.0	4.0	3.5	3.0	3.0	87
90	4.0		3.5	3.5	3.0	2.5	83		
100	3.5		3.5	3.0	2.5	2.0	80		
110	3.5	3.0	2.5	2.0	2.0	76			
120	2.5	2.5	2.0	2.0	1.5	72			

JET PUMP ACCESSORIES - AQ80 CONSTANT PRESSURE VALVE

FEATURES

- Provides constant pressure at flow rates of 1/2 gpm or higher
- Pump runs continuously while service is needed to eliminate short cycling, a major cause of motor wear and failure
- Flow rates up to 20 gpm; May be installed in parallel for flow rates above 20 gpm
- Retrofit to any existing pump and pressure tank system; A pressure tank is recommended for optimum performance
- Maximum operating pressure of 80 psi; Use a pressure regulator with a pump that produces more than 80 psi

COMPONENTS

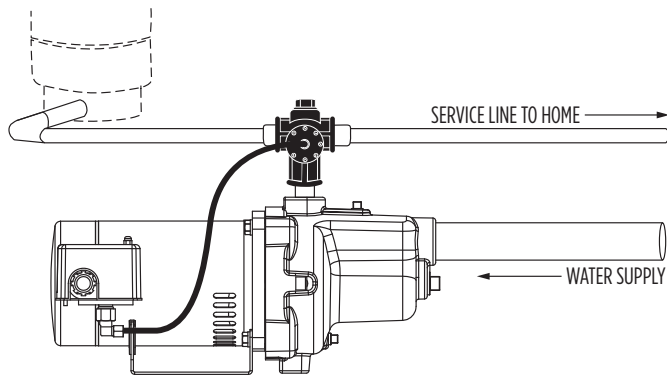


Diagram is an example of a shallow-well application for a jet pump with the constant pressure valve. Your specific installation may be slightly different. Consult your dealer for assistance.



CHARACTERISTICS

Preset Outlet Pressure	Inlet x Outlet	Tank Connection	Max. Inlet Pressure (PSI)	Order No.	Wt. (lbs)
None	1" x 1"	1"	80	91987321	2

JET PUMP ACCESSORIES - AIR CHARGER KIT

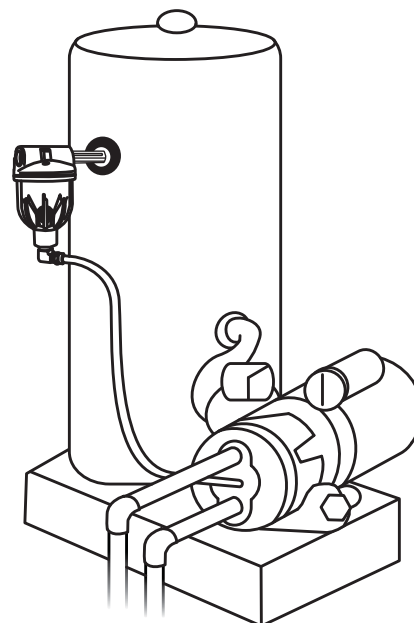
FEATURES

- Specifically designed to prevent water-logging typically associated with a conventional galvanized pressure tank
- Automatically maintains a proper balance of air and water volume in the tank
- Eliminates short cycling, thus extending motor life and reducing power consumption
- Eliminates tank draining normally required with water-logged tanks
- Unit consists of air charger, reducer bushing, adapter nut, 1/4" polyethylene tubing, and male connector



CHARACTERISTICS

Order No.	Wt. (lbs)
106594901	2



JET PUMP ACCESSORIES - INJECTORS & PRESSURE SWITCHES

SCREW-IN, SHALLOW-WELL INJECTORS

Model	Injector Code	Order No.	Wt. (lbs)
FP05CI-C, FP1CI-C	1024	18127803R	0.5
FP07CI-C	1027	18127902R	
FP1CI-C	1028	18128009R	



EXTERNAL CONTROL VALVE

Description	Order No.	Wt. (lbs)
External Control Valve	91982538	2



DEEP-WELL, 2-PIPE INJECTORS (4" WELLS)

Model	Total Suction Lift (ft)	Order No.	Wt. (lbs)
FP05CI-C	50-100	147E0915	7
FP07CI-C	30-60	147E1023	
FP07CI-C	50-100	147E1118	
FP05CI-C	30-60	147E1120	
FP1CI-C	50-100	147E1120	
FP1CI-C	30-60	147E1125	

Injector kit includes: Cast iron body, thermoplastic nozzle and venturi, and bronze foot valve



INJECTOR KITS

Model	Order No.	Description
1/2 Injector Kit	305446946	Injector Kit for JPC-050-C
3/4 Injector Kit	305446947	Injector Kit for JPC-075-C/JPC-100-C

PRESSURE GAUGES

Order No.	Pressure Reading (PSI)
9193-4018	0-100



PRESSURE SWITCHES

Model	PSI Setting	Order No.	Wt. (lbs)
Global Series	20/40	PRSW2040	1
	30/50	PRSW3050	
	40/60	PRSW4060	
Furnas Pro Series	20/40	69ES1AZ2040	
	30/50	69ES1AZ3050	
	40/60	69ES1AZ4060	
Pressure Gauge (0-100 psi; 1/4" b.m.)		106306101	



JET PUMP ACCESSORIES - PRESSURE TANKS

FEATURES

- Heavy-duty steel construction
- Appliance-quality painted finish over a primer coat
- Welded, malleable water connection will not break during installations
- Butyl rubber diaphragm system isolates the air charge from system water
- Condensation-reducing design
- Five-year warranty
- ANSI/NSF standard 61 approved
- All models have a 20 psi/1.9 bar precharge
- Maximum working pressure of 125 psi/8.5 bar
- Maximum working temperature of 140 °F/60 °C



PERFORMANCE

Item No.	Model	Diameter		Length		System Connect	Volume		Shipping (Box) Volume		Shipping Wt.	
		in	cm	in	cm		gal	liter	cu. ft	cu. m	lbs	Kg
604452	RL2	8.0	20.0	12.0	30.0	3/4" FNPT	2.1	8.0	0.5	0.02	5	2.3
604453	RL4	11.0	27.8	14.5	37.0	3/4" FNPT	4.8	18.2	1.1	0.03	10	4.6
604529	RL6H	11.4	28.9	17.5	44.4	3/4" FNPT	5.3	20.0	1.5	0.04	13	6.0
604493	RL14H	16.3	41.4	20.8	52.8	3/4" FNPT	14.0	53.0	3.7	0.11	27	12.3
604457	RL20	16.0	40.6	29.0	73.7	1" NPT	20.0	75.7	4.7	0.13	35	15.9
604449	RL33	16.0	40.6	42.8	108.6	1" NPT	33.0	124.9	6.9	0.2	55	25.0
604459	RL44	21.0	53.3	36.3	92.1	1-1/4" NPT	44.0	166.5	10.2	0.11	65	29.5
604530	RL62	21.0	53.3	48.0	122.0	1-1/4" NPT	62.0	234.7	7.6	0.22	82	37.2
604541	RL81	21.0	53.3	62.0	157.5	1-1/4" NPT	81.0	306.6	16.5	0.46	104	47.2
604542	RL85	26.0	66.0	44.5	113.0	1-1/4" NPT	85.0	321.8	8.3	0.24	121	54.9
604531	RL119	26.0	66.0	59.8	150.5	1-1/4" NPT	119.0	450.5	26.2	0.73	160	72.6

NOTE: Total drawdown assumes tank pre-charge set at 2 psi below cut-in pressure; drawdown can be affected by many factors, including temperature, pressure, and elevation

SIZING

Model	Total Tank Volume		Total Drawdown					
			20/40		30/50		40/60	
	Gallons	Liters	Gallons	Liters	Gallons	Liters	Gallons	Liters
RL2	2.1	8.0	0.8	2.9	0.8	2.5	0.6	2.1
RL4	4.8	18.2	1.7	6.6	1.5	5.7	1.3	4.8
RL6H	5.3	20.0	1.9	7.3	1.6	6.2	1.4	5.4
RL14H	14.0	53.0	5.1	19.3	4.8	18.1	3.8	14.2
RL20	20.0	80.0	8.1	30.5	6.8	25.8	5.9	22.3
RL33	33.0	130.0	13.3	50.3	11.3	42.6	9.7	36.8
RL44	44.0	170.0	17.7	67.1	15.0	56.8	13.0	49.1
RL62	62.0	234.7	25.0	94.6	21.1	117.7	18.3	69.3
RL81	81.0	306.6	32.6	123.4	27.6	104.5	23.9	90.5
RL85	85.0	321.8	34.3	129.8	29.0	109.8	25.1	95.0
RL119	119.0	450.5	48.0	181.7	40.6	153.7	35.1	132.9

NOTE: Total drawdown assumes tank pre-charge set at 2 psi below cut-in pressure; drawdown can be affected by many factors, including temperature, pressure, and elevation



JET PUMP ACCESSORIES - PRESSURE TANKS

TANK REPLACEMENT GUIDE

Flexcon				Amtrol				Other				
Franklin	Challenger	Well-Rite	H2 Pro	Well-X-Trol	Wel-Flow	Champion	How 2 Tank	Century	State Perma Tank	WellMate	Pro-Source	Std. Galv. (gal)
RL2	PRJ6	PJR6	PJR6	WX-101	WF-6	CM1001	HT20	V6P	PIL-2	WM8L	N/A	5
RL6H	PJR20S	PJR20S	PJR20S	WX105	N/A	N/A	N/A	N/A	N/A	WM25L	PS15-502	18
RL20	PC66	WR60	WWT-20	WX-202	WF60	CM4202	HT20	V60	PAD-20	WM6	PS42T-T02	42
RL33	PC122	WR120	WWT-35	WX-203	WF100	CM8003	HT32	V100	WM9	WM9	PS82T-T05	82
RL44	PC144	WR140	WWT-45	WX-250	WF140	CM10050	HT44	V140	WM14	WM14	PS120-T50	82
RL62	PC211	WR200	WWT-65	WX-251	WF200	CM12051	HT44	V200	PAD-52	WM20	PS200-T51	220
RL85	PC266	WR260	WWT-85	WX-302	WF260	CM17002	HT86	V250	PAD-86	WM25L	PS220-T52	220
RL119	PC366	WR360	WWT-120	WX-350	WF360	CM22050	HT119	V350	PAD-119	WM35	N/A	315

NOTE: Add "S" for horizontal models with pump stand

DRAW-DOWN FACTORS

Max. System Pressure (Cut-Out)		Min. System Pressure (Cut-In) - PSIG (bar)																		
PSIG	BAR	20 (1.38)	25 (1.72)	30 (2.06)	35 (2.41)	40 (2.76)	45 (3.10)	50 (3.45)	55 (3.80)	60 (4.16)	65 (4.48)	70 (4.83)	75 (5.17)	80 (5.51)	85 (5.86)	90 (6.20)	95 (6.55)	100 (6.89)	105 (7.24)	110 (7.58)
30	2.06	0.21																		
35	2.41	0.28	0.19																	
40	2.76	0.34	0.26	0.17																
45	3.10	0.39	0.32	0.24	0.16															
50	3.45	0.44	0.37	0.30	0.22	0.15														
55	3.80	0.47	0.41	0.34	0.28	0.21	0.14													
60	4.16	0.50	0.44	0.38	0.32	0.26	0.19	0.13												
65	4.48	0.53	0.48	0.42	0.36	0.30	0.24	0.18	0.12											
70	4.83	0.56	0.50	0.45	0.40	0.34	0.29	0.23	0.17	0.11										
75	5.17		0.53	0.48	0.43	0.38	0.32	0.27	0.22	0.16	0.11									
80	5.51			0.50	0.46	0.41	0.36	0.31	0.26	0.21	0.15	0.10								
85	5.86				0.48	0.43	0.39	0.34	0.29	0.24	0.20	0.15	0.10							
90	6.20					0.46	0.42	0.37	0.32	0.28	0.23	0.19	0.14	0.09						
95	6.55						0.44	0.40	0.35	0.31	0.27	0.22	0.18	0.13	0.09					
100	6.89							0.42	0.38	0.34	0.30	0.26	0.21	0.17	0.13	0.09				
105	7.24								0.41	0.37	0.33	0.29	0.25	0.20	0.16	0.13	0.08			
110	7.58									0.39	0.35	0.31	0.27	0.24	0.20	0.16	0.12	0.08		
115	7.92										0.38	0.34	0.30	0.26	0.23	0.19	0.15	0.11	0.08	
120	8.27											0.36	0.33	0.29	0.25	0.22	0.18	0.15	0.11	0.07
125	8.62												0.35	0.32	0.28	0.25	0.21	0.18	0.14	0.11

NOTE: To convert values to kPa, multiply BAR by 100