

**PRODUCT SPECIFICATIONS**

Elkay 2-1/2" x 5" x 5-1/2" Soap / Lotion Dispenser

<b>Material:</b>	Brass
<b>Finish:</b>	Brushed Nickel (NK), Chrome (CR)
<b>Dimensions:</b>	2-1/2" x 5" x 5-1/2"

**Special Note:** One 1-1/4" (32mm) faucet hole required. Spout swings 360 degrees



Chrome (CR)



Brushed Nickel (NK)

**AMERICAN PRIDE. A LIFETIME TRADITION.**  
Like your family, the Elkay family has values and traditions that endure. For almost a century, Elkay has been a family-owned and operated company, providing thousands of jobs that support our families and communities.

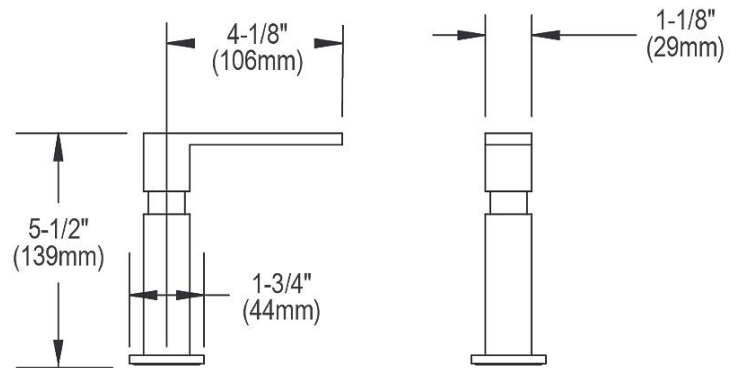


Complies with ADA & ICC A117.1 accessibility requirements when installed according to the requirements outlined in these standards.

[Clean and Care Manual \(PDF\)](#)

[Installation Instructions \(PDF\)](#)

[Warranty \(PDF\)](#)



PART: \_\_\_\_\_ QTY: \_\_\_\_\_

PROJECT: \_\_\_\_\_

CONTACT: \_\_\_\_\_

DATE: \_\_\_\_\_

NOTES: \_\_\_\_\_

APPROVAL: \_\_\_\_\_

*In keeping with our policy of continuing product improvement, Elkay reserves the right to change product specifications without notice. Please visit [elkay.com](http://elkay.com) for the most current version of Elkay product specification sheets. This specification describes an Elkay product with design, quality, and functional benefits to the user. When making a comparison of other producers' offerings, be certain these features are not overlooked.*