

PRODUCT SPECIFICATIONS

Elkay Stainless Steel 33" x 12" x 1/2", Service Sink Panel. Overall dimensions are 33" x 12" x 1/2". Made of Stainless Steel.

Material:	Stainless Steel
Finish:	Buffed Satin
Gauge:	18
Dimensions:	33" x 12" x 1/2"
Shipping Weight:	8 lbs.

Special Note: For use with EFS3321C

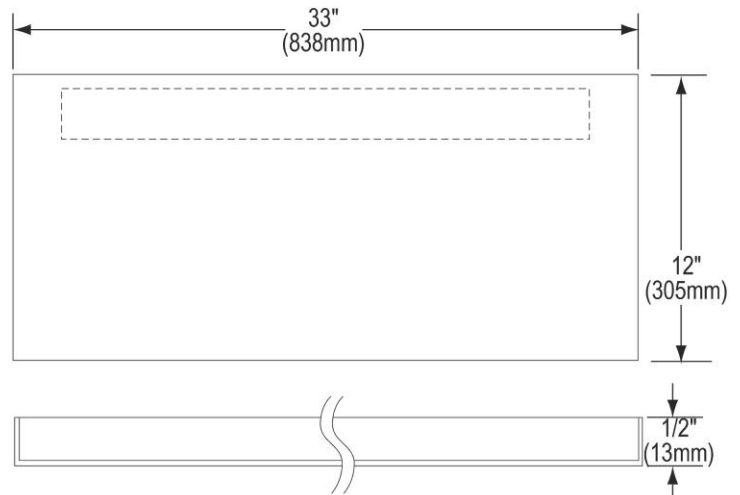
- For use on EFS model floor sinks.
- 18-gauge, Type 304 stainless steel.
- 1/2" returns on all sides.
- Furnished with concealed wall hangers.
- Protects walls from splashing.
- Easy to clean and sanitize.



AMERICAN PRIDE. A LIFETIME TRADITION.
Like your family, the Elkay family has values and traditions that endure. For almost a century, Elkay has been a family-owned and operated company, providing thousands of jobs that support our families and communities.



[Clean and Care Manual \(PDF\)](#)
[Limited Warranty \(PDF\)](#)



PART: _____ QTY: _____

PROJECT: _____

CONTACT: _____

DATE: _____

NOTES: _____

APPROVAL: _____

In keeping with our policy of continuing product improvement, Elkay reserves the right to change product specifications without notice. Please visit elkay.com for the most current version of Elkay product specification sheets. This specification describes an Elkay product with design, quality, and functional benefits to the user. When making a comparison of other producers' offerings, be certain these features are not overlooked.