

# Installation Instructions

## ER191/ER192/ER193 Refrigeration Packages

**Note: Danger! Electric shock hazard. Disconnect power before servicing unit.**

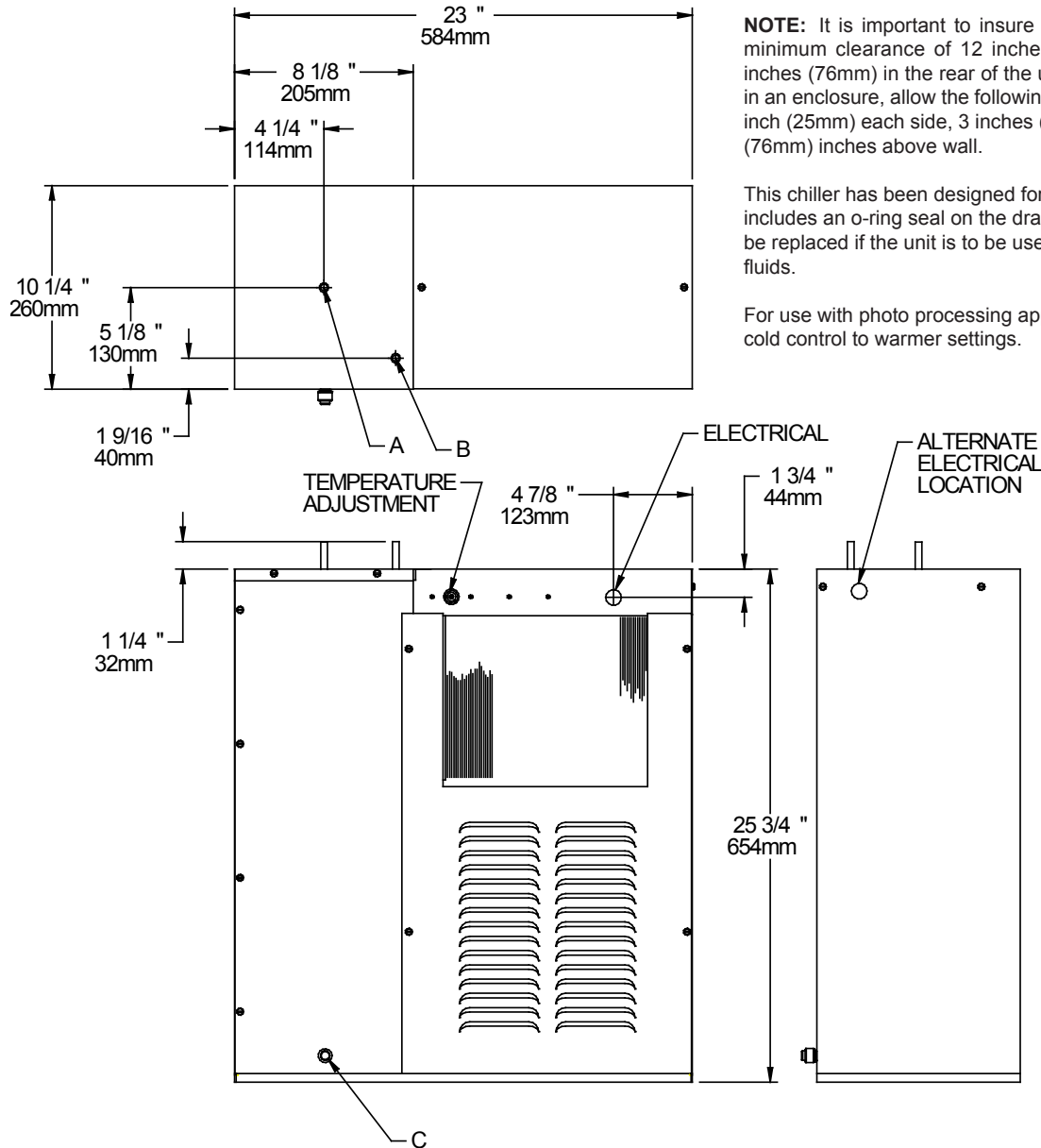
USES HFC-134A REFRIGERANT

**NOTICE:** This water cooler must be connected to the water supply using a dielectric coupling.

**NOTE:** It is important to insure proper ventilation. Allow a minimum clearance of 12 inches (305 mm) in front and 3 inches (76mm) in the rear of the unit. If unit is to be installed in an enclosure, allow the following clearances around unit - 1 inch (25mm) each side, 3 inches (76mm) in the rear, 3 inches (76mm) inches above wall.

This chiller has been designed for use with potable water and includes an o-ring seal on the drain plug. The fitting should be replaced if the unit is to be used with more aggressive fluids.

For use with photo processing applications, adjust cold control to warmer settings.



### LEGEND

A = 3/8" O.D. TUBE WATER OUT

B = 3/8" O.D. TUBE WATER INLET

C = 3/8" O.D. TUBE TANK DRAIN

ITEMIZED PARTS LIST		
ITEM NO.	PART NO.	DESCRIPTION
1	23089C	Terminal Box Cover
2	35882C	Cold Control
3	35895C	Cold Control (Freeze Protect)
4	000000248	Kit - Fan Motor/Blade/Shroud/Screws/Nuts
5	98853C	Kit - Heat Exchanger/Drier
6	41991000	Fan Bracket
7	28176C	Base Assy
8	27197C	Grill (Front)
9	66628C	Condenser
10	28178C	Terminal Box
11	66625C	Evaporator Assy
*12	36320C	Compressor Service Pak
13	1000002965	Kit - Elect/Overload/Cover/Strap/CR Box
14	23101C	End Panel
15	28180C	Insulation Box Panel (Rear)
16	70772C	Drain Plug
17	27957C	Insulation Box Cover
18	23104C	Insulation Box (Front)
NS	27198C	Grill (Rear)
NS	66204C	Drier

ER19-2D/3D 220/240V-50/60Hz

ITEM NO.	PART NO.	DESCRIPTION
4	000000249	Kit - Fan Motor/Blade/Shroud/Screws/Nuts
*12	36308C	Compressor Service Pak
13	98763C	Kit - Elect/Overload/Cover/Bracket/CR Box

\*INCLUDES COMPRESSOR, OVERLOAD & CSR BOX ASSEMBLY. IF UNDER WARRANTY, REPLACE WITH SAME COMPRESSOR USED IN ORIGINAL ASSEMBLY.  
NOTE: All correspondence pertaining to any of the above water cooler or orders for repair parts **MUST** include model number and serial number of cooler, name and part number of replacement part.

**INSTALLATION**

1. Potable water inlet and outlet are 3/8" (9 mm) O.D. tube located on top of unit. Contractor to supply connections as required.
2. Connecting lines to be of copper, thoroughly flushed to remove all foreign matter before being connected to cooler. If flushing does not remove all particles, a water strainer should be installed in supply line.
3. Connect cooler to building supply line with a shut-off valve and install a union connection between the valve and cooler.
4. Electrical: Make sure power supply is identical in voltage, cycle, and phase to that specified on cooler serial plate. Never wire compressor directly to the power supply.

**START-UP**

1. Open supply line valve.
2. Purge air from all water lines by operating bubbler valve of fountain.
3. Connect to electrical power.

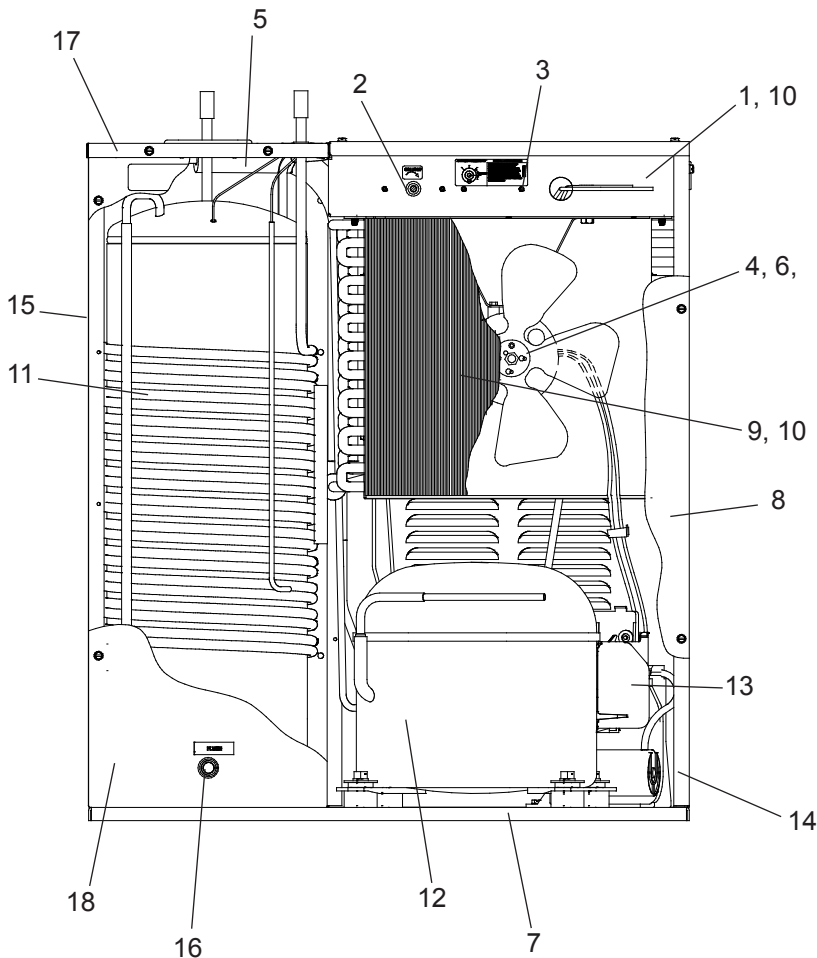
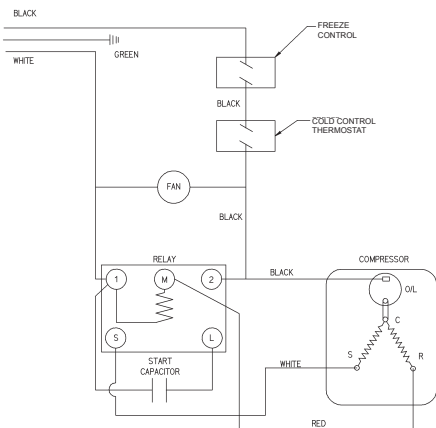
**TROUBLESHOOTING & MAINTENANCE**

**Temperature Control:** Factory set for 50° F water under normal conditions. To adjust water temperature, turn screw on Item No. 2 clockwise for colder, counter clockwise for warmer.

**Ventilation:** Cabinet louvers should be periodically cleaned with brush, air hose or vacuum cleaner. Excess dirt or poor ventilation can cause no cold water and compressor cycling on the compressor overload protector

**Lubrication:** Motors are lifetime lubricated.

**Wiring Diagram**



REPAIR SERVICE INFORMATION TOLL FREE NUMBER 1.800.260.6640  
FOR PARTS, CONTACT YOUR LOCAL DISTRIBUTOR OR CALL 1.800.834.4816

ELKAY MANUFACTURING COMPANY • 2222 CAMDEN COURT • OAK BROOK, IL 60523 • 630.574.8484