


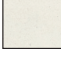

ELLIPSE

FRAGRANITE 33" DOUBLE BOWL SINK Model EOXX33229-1

TECHNICAL FEATURES

Overall Sink Size (OD)	33" x 22"
Bowl Size (ID)	29 ³ / ₄ " x 18 ⁷ / ₈ " x 16 ⁷ / ₈ "
Bowl Depth (ID)	9" / 8"
Corner Radius	25mm
Minimum Cabinet Size	36"
Installation Type	Dual Mount
Weight	42 lbs
Warranty	Limited Lifetime

AVAILABLE FINISHES

 Champagne EOCH33229-1 114.0167.355	 Onyx EOOX33229-1 114.0087.734
 Stone Grey EOSG33229-1 114.0637.901	 Oyster EOOY33229-1 114.0637.900
 Polar White EOPW33229-1 114.0643.363	 Matte Black EOMB33229-1 114.0699.561
 Mocha EODB33229-1 114.0155.299	 Slate Grey EOSL33229-1 114.0713.074

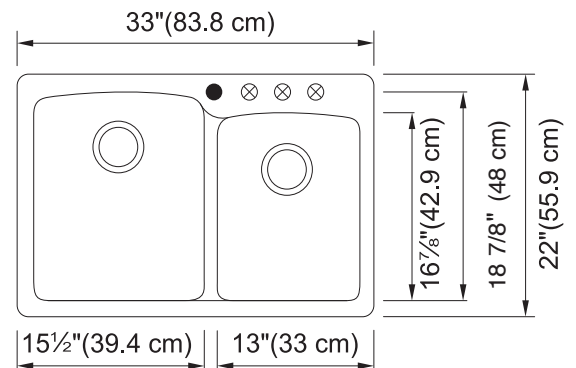
OPTIONAL ACCESSORIES

Bottom Grid FBGG1014 112.0185.332	Bottom Grid FBGG1316 112.0185.333	Accessory System AIUS100 112.0655.481
Accessory System AIUS200 112.0655.488	Accessory System AIUS300 112.0655.489	Colorline Strainer 900-XXX (xxx represents color)
Colorline Flange WD-900-XXX (xxx represents color)	Strainer Chrome 1145 112.0055.508	

Product Image



Dimensional Drawing



4 pre-scored holes for faucet and accessories

