

# 4DHP2

## PRODUCT SPECIFICATIONS

MINI-SPLIT MULTI-ZONE  
HEAT PUMP SYSTEMS - R-410A - 60 HZ

FORM NO. 4DHP2MULTIZONE-100 (09/2023)



Wireless  
Remote Controller  
(furnished with  
Wall-Mount and  
Cassette Models)



D22C1/D33C2 Cassette  
Non-Ducted Indoor Unit



DWM2 Wall-Mounted  
Non-Ducted Indoor Unit



DMD2 Medium Static Ducted Indoor Unit  
with Wired Remote Controller (furnished)



4DHP2S09 thru 36 Heat Pump Outdoor Units



4DHP2S48 Heat Pump Outdoor Unit



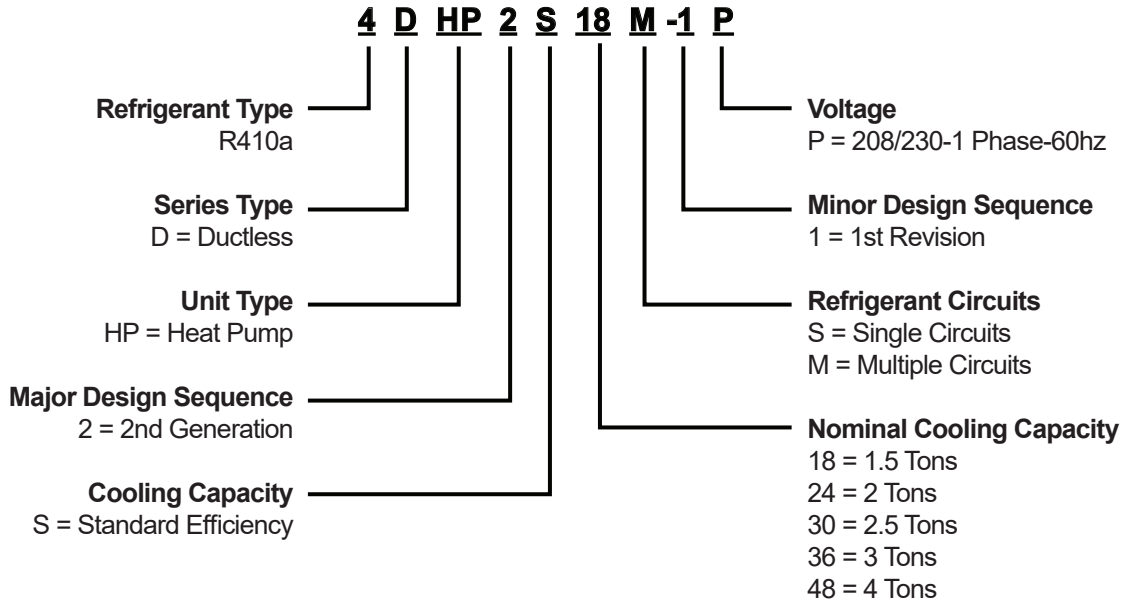
Certain models  
have earned the  
ENERGY STAR®  
mark by meeting  
strict energy  
efficiency guidelines  
set by the US EPA.

**Up to 5 Zones**  
**SEER - up to 24.10**  
**HSPF - up to 11.5**  
**1.5 to 4 Tons**

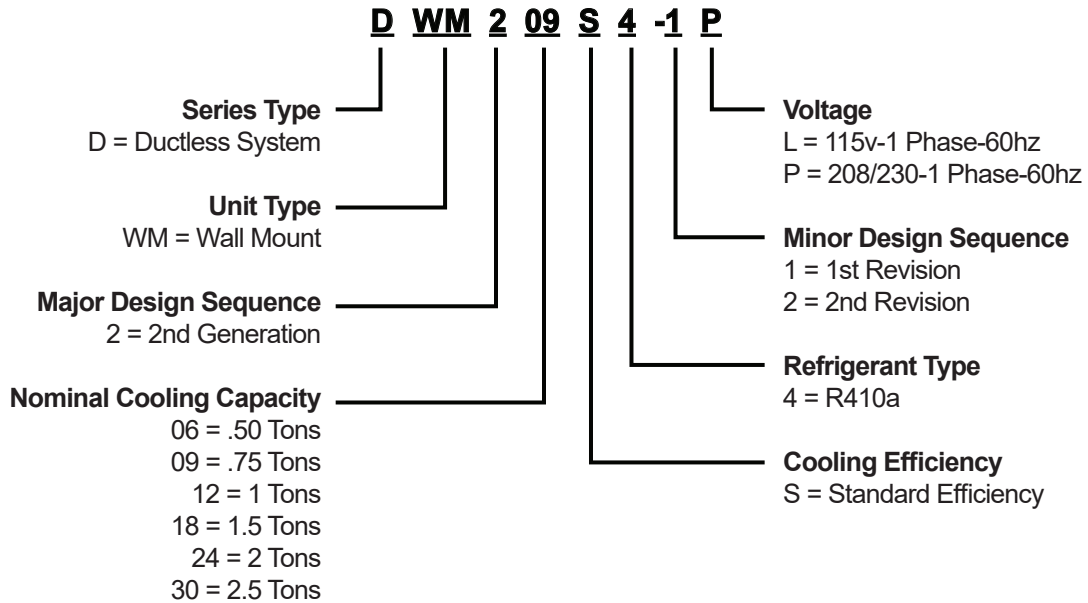
**Cooling Capacity - 18,000 to 49,000 Btuh**  
**Heating Capacity - 19,000 to 50,000 Btuh**

**MODEL NUMBER IDENTIFICATION**

**OUTDOOR MULTI-ZONE HEAT PUMP UNITS**

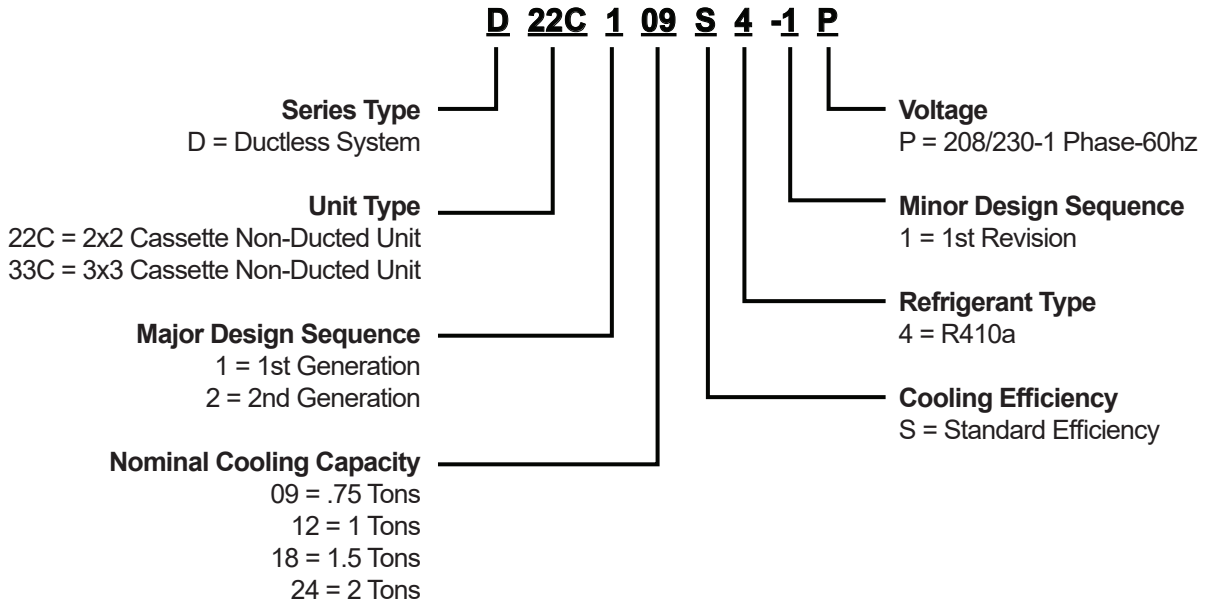


**WALL-MOUNTED INDOOR UNITS**

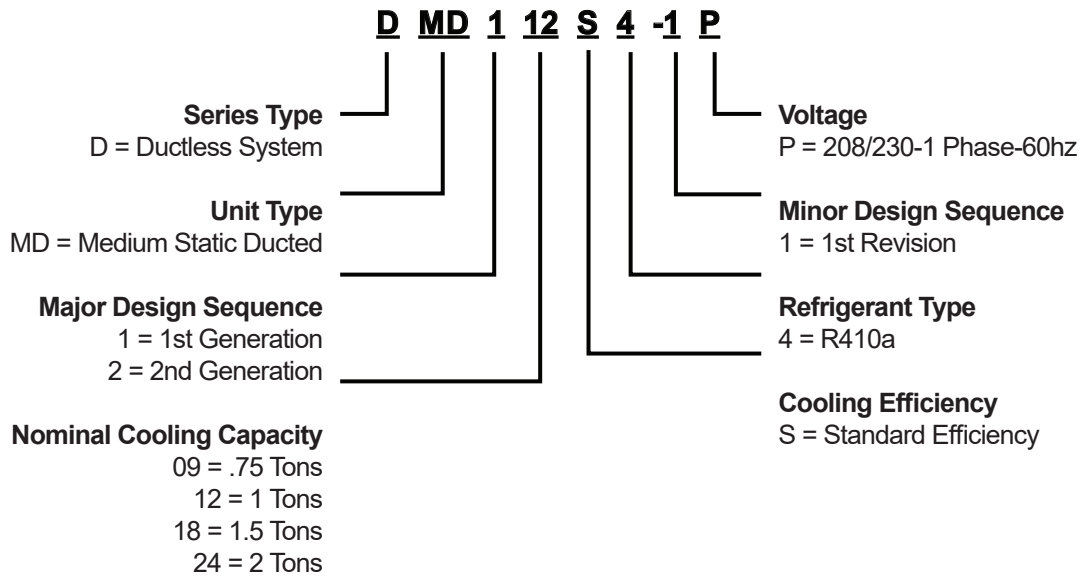


**MODEL NUMBER IDENTIFICATION**

**CASSETTE INDOOR UNITS**



**DUCTED INDOOR UNITS**



## CONTENTS

AHRI RATINGS . . . . .	29
AIR THROW DATA . . . . .	51
- CASSETTE INDOOR UNITS . . . . .	53
- WALL-MOUNTED INDOOR UNITS . . . . .	51
APPROVALS AND WARRANTY . . . . .	5
BLOWER DATA . . . . .	55
- MEDIUM STATIC DUCTED INDOOR UNITS . . . . .	55
DIMENSIONS . . . . .	59
- CASSETTE INDOOR UNITS . . . . .	64
- MEDIUM STATIC DUCTED INDOOR UNITS . . . . .	66
- OUTDOOR UNITS . . . . .	59
- WALL-MOUNTED INDOOR UNITS . . . . .	62
- WALL-MOUNTED INDOOR UNITS - WALL PLATES . . . . .	63
FEATURES . . . . .	5
- INDOOR UNITS . . . . .	7
- OUTDOOR UNITS . . . . .	5
INSTALLATION CLEARANCES . . . . .	67
- CASSETTE INDOOR UNITS . . . . .	68
- MEDIUM STATIC DUCTED INDOOR UNITS . . . . .	69
- OUTDOOR UNITS . . . . .	67
- WALL-MOUNTED INDOOR UNITS . . . . .	68
LINE SET AND ELEVATION GUIDELINES . . . . .	70
MODEL NUMBER IDENTIFICATION . . . . .	2
MULTI-ZONE SYSTEM COMBINATIONS . . . . .	32
OPTIONAL ACCESSORIES - ORDER SEPARATELY . . . . .	30
OUTDOOR TO INDOOR UNIT LINE CONNECTIONS - TWO ZONES . . . . .	38
REMOTE CONTROLLERS - FURNISHED . . . . .	9
SOUND LEVELS - TEST CONDITIONS . . . . .	31
SPECIFICATIONS . . . . .	24
- CASSETTE INDOOR UNITS . . . . .	27
- MEDIUM STATIC DUCTED INDOOR UNITS . . . . .	28
- OUTDOOR UNITS - 1.5 TON   2 TON   2.5 TON . . . . .	24
- OUTDOOR UNITS - 3 TON   4 TON . . . . .	25
- WALL-MOUNTED INDOOR UNITS . . . . .	26

## APPROVALS AND WARRANTY

### APPROVALS

- AHRI Standard 210/240 certified with Addenda 1 and 2
- ENERGY STAR® certified units (certain models) are designed to use less energy, help save money on utility bills, and help protect the environment
- Rated According to U.S. Department of Energy (DOE) test procedures
- Indoor and outdoor units and components UL and CEC bonded for grounding to meet safety standards for servicing
- ETL certified for the U.S. and Canada
- Meets 2014 Florida Building Code Wind Design Criteria
  - Ultimate Wind Speed – 186 miles per hour
  - Risk Categories – III and IV
  - Wind Exposures – C and D
  - Mean Roof Heights – Up to 60 feet above ground

### WARRANTY

- Compressor - Limited seven years
- All other covered components
  - Limited five years in residential applications
  - Limited one year in non-residential applications
- Accessories and controls - Limited one year

**NOTE** - Refer to Equipment Limited Warranty certificate included with unit for specific details.

## FEATURES

### APPLICATIONS

- 1.5 through 4 ton
- Single phase power supply (208/230V)
- Outdoor unit sound levels as low as 58.5 dBA
- Indoor unit sound levels as low as 22.5 dBA
- Ductless mini-split systems provide a wide range of capacities and applications and provide an alternative when a ducted system is impractical or cost prohibitive
- Depending on capacity, multi-zone heat pumps allow up to five indoor units (5 zones) to be connected to one outdoor unit
- Units shipped completely factory assembled, internally piped, and wired

**NOTE** - Outdoor unit is designed for outdoor location only.

**NOTE** - it is recommended that Medium Static Ducted Indoor Units not be installed in unconditioned spaces with temperatures above 100°F.

### REFRIGERATION SYSTEM

#### R-410A Refrigerant

- Non-chlorine, ozone friendly
- Unit is factory pre-charged

#### Outdoor Coil

- Aluminum fins fitted to copper tubes
- Wire grille guard provided

#### Outdoor Fan

- Direct drive fan moves large air volumes uniformly through entire outdoor coil for high refrigeration capacity
- Fan guard provided

## OUTDOOR UNITS

### Refrigerant Line Connections, Service Valve

- Flare connection lines are located on side of unit cabinet
- Fully serviceable brass service valve prevents corrosion and provides access to refrigerant system

### COMPRESSOR

#### Variable Frequency Rotary Compressor

- Compressor features high efficiency operation
- Balanced for reduced vibration and quiet operation
- Brushless DC motor uses powerful Neodymium magnets, which are approximately 15-20 times stronger than ferrite magnets used in conventional AC compressors

#### Compressor Crankcase Heater

- Protects against liquid refrigerant migration that can occur during low ambient operation

### CONTROLS

#### DC Inverter Control

- Provides continuous operation, while adjusting capacity according to room temperature
- The accurate sensing of cooling loads prevents frequent changes in capacity and ensures efficient, economical operation

#### Inverter Module Protection

- Protects against differences in current, voltage and temperature
- Displays code on the indoor unit indicating a need for servicing

**FEATURES****OUTDOOR UNITS****CONTROLS (continued)****Outdoor Unit Microprocessor**

- Electronic expansion valve control
- Automatic compressor timed-off protection (3 minutes)
- Temperature sensor
- LEDs on control display error codes and assist in troubleshooting
- 4-Way reversing valve control

**Electronic Expansion Valve**

- Furnished on all models

**Compressor Overcurrent Protection**

- Overcurrent protection can result due to any of the following:
  - Ambient temperature is too high
  - Locked rotor on the compressor
  - Outdoor air is blocked or restricted

**Condenser High Temperature Protection**

- Condenser high temperature can occur due to any of the following conditions:
  - High outdoor ambient
  - Outdoor fan blocked
  - Outdoor coil blocked
- The outdoor coil thermistor continuously monitors the temperature and communicates with the microprocessor
- Depending on the temperature measured, the compressor will be allowed to increase the frequency if needed to meet the load or is forced to run at the current or reduced frequency
- If the temperature becomes excessively high the compressor will be de-energized

**Compressor Discharge Temperature Protection**

- The compressor discharge line thermistor continuously monitors the temperature and communicates with the microprocessor
- Depending on the temperature measured, the compressor will be allowed to increase the frequency to meet the load or is forced to run at the current or reduced frequency
- If the temperature becomes excessively high, the compressor will be de-energized

**Voltage Protection**

- Protects unit from low or high voltage fluctuations

**Terminal Strip**

- Furnished for easy wiring connections

**Automatic Piping/Wiring Correction**

- Automatically checks piping/wiring connections
- A "Check Switch" on outdoor unit control reviews zone wiring and piping connections and displays "CE" if all connections are correct
- If a unit(s) is not connected to the correct zone the control will automatically remap the wiring to the correct zone based on indoor unit size

**Defrost Control**

- Defrost cycle is automatically enabled if there is a build-up of frost on the outdoor coil
- Outdoor fan operation is terminated during the defrost cycle
- Indoor fan changes to ultra low speed during the defrost cycle to help bring warm refrigerant back to the outdoor coil to assist during defrost operation
- Defrost LED is lit on the indoor unit panel on the front cover during a defrost cycle

**Reversing Valve**

- 4-way interchange reversing valve effects a rapid change in direction of refrigerant flow resulting in quick changeover from cooling to heating and vice versa
- Valve operates on pressure differential between outdoor unit and indoor unit of the system

**CABINET**

- Constructed of heavy gauge steel
- Tabs on unit base allow secure mounting to slab
- Condensate drain outlets furnished on unit base

**NOTE** - Drain must be field furnished.

- Pan heater prevents ice build-up in the bottom of the unit during heating operation
- Access cover for power and control wiring connections
- Access cover for service valves

## FEATURES

## INDOOR UNITS

WALL-MOUNTED INDOOR UNITS

- Low-sound, three-speed Wall Mount with LED display offers three access points for refrigerant outlet pipes: left, right or rear
- The front panel can be raised for accessible wiring and maintenance
- Swing louver angles to 90°
- Unit installs horizontally on a vertical wall
- **Pre-Heat Function** - Delays the operation of the fan until the indoor coil has reached a pre-determined temperature which prevents the discharge of cold air while the system is operating in the "heating" mode
- **LED Readout** - Mounted on unit. LED displays unit operation status, and codes for maintenance and servicing
- **Auto Restart** - Automatically restores the previous function setting if power is interrupted
- **Cooling Override** - Button on the indoor unit allows a temporary 30 minute override of the system for forced "AUTO" or "COOLING" operation
- **Flare Connections** - Equipped with liquid and gas flare fittings for quick and secure piping
- **Multi-Refrigerant Outlet** - Allows left, right, or rear access for refrigeration line connection
- **Three Speed Fan** - Fan functions at three speeds: low, medium and high
- **Air Filter** - Cleanable air filter is furnished as standard
- **Wireless Remote Controller** - Furnished as standard, see page 9

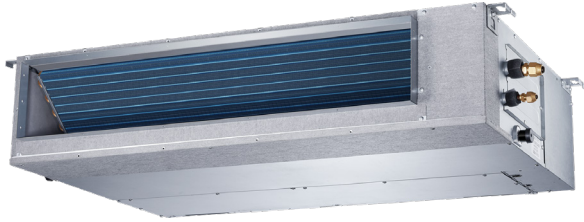
CASSETTE INDOOR UNITS

- Low-sound and encased in galvanized steel, the Cassette unit with LED display offers 360° airflow for immediate, equal distribution of wide-range cooling and heating
- 360° Airflow Panel - Allows for even, wide-range cooling and heating
- **Pre-Heat Function** - Delays the operation of the fan until the indoor coil has reached a pre-determined temperature which prevents the discharge of cold air while the system is operating in the "heating" mode
- **LED Readout/Infrared Receiver Panel** - Mounted on unit. LEDs display unit operation status, and codes for maintenance and servicing
- Infrared receiver for use with wireless remote controller (furnished)
- **Auto Restart** - Automatically restores the previous function setting if power is interrupted
- **Cooling Override** - Button on the indoor unit allows a temporary 30 minute override of the system for forced "AUTO" or "COOLING" operation
- **Built-In Condensate Pump** - 27-1/2 in. maximum lift
- **Compact Design** - Allows accessible wiring and space-saving installation with reduced width and depth
- **Flare Connections** - Equipped with liquid and gas flare fittings for quick and secure piping
- **Three Speed Fan** - Fan functions at three speeds: low, medium and high
- **Turbo Fan With Backward Curved Blades** - Reduces sound levels and air resistance
- **Air Filter** - Cleanable air filter is furnished as standard
- **Wireless Remote Controller** - Furnished as standard, see page 15 for D22C1 and page 12 for D33C2

**NOTE** - The cassette panel must be ordered separately. See Specifications table for ordering information.

## FEATURES

## INDOOR UNITS

**MEDIUM STATIC DUCTED INDOOR UNITS**

- Mode conflict will auto-reset once all units return to the same operating mode

- Slim, compact design for limited space requirements. Installs out of sight between the drop ceiling and ceiling slab with ducted distribution to the indoor space
- **Pre-Heat Function** - Delays the operation of the fan until the indoor coil has reached a pre-determined temperature which prevents the discharge of cold air while the system is operating in the "heating" mode
- **LED Readout Panel** - Mounted in the unit control box unit. LEDs display unit operation status, and codes for maintenance and servicing
- **Auto Restart** - Automatically restores the previous function setting if power is interrupted
- **Cooling Override** - Button on the indoor unit allows a temporary 30 minute override of the system for forced "AUTO" or "COOLING" operation
- **Built-In Condensate Pump** - 27-1/2 inch lift
- **Duct Connections** - Return air connections can be made horizontally or from the bottom of the unit with interchangeable panel
- **Flare Connections** - Equipped with liquid and gas flare fittings for quick and secure piping
- **Three Speed Fan** - Fan functions at three speeds: low, medium and high
- **Air Filter** - Cleanable air filter is furnished as standard
- **Wired Remote Controller** - Furnished as standard, see page 18

**AUTO CHANGEOVER OPERATION**

- If an indoor unit in the system is set to "AUTO" mode the unit will operate in cooling, heating or fan mode based on temperature setting
- Fan runs in auto mode
- Each indoor unit has a "mode conflict priority" setting set by a DIP switch or from the remote controller (default setting is heating mode)
- The system "mode conflict priority" is set by the indoor unit connected through the "A" terminal strip
- If the "A" terminal strip is not used, the unit at the "B" terminal strip and any subsequent terminal strips is utilized (depending on number of zones/indoor units)
- When a mode conflict happens (all units are not set to the same mode), the indoor units with the mode equal to the system "mode conflict priority" will continue to operate
- The indoor unit with the different mode will be turned off and the display will show "--" indicating a mode conflict for that particular indoor unit

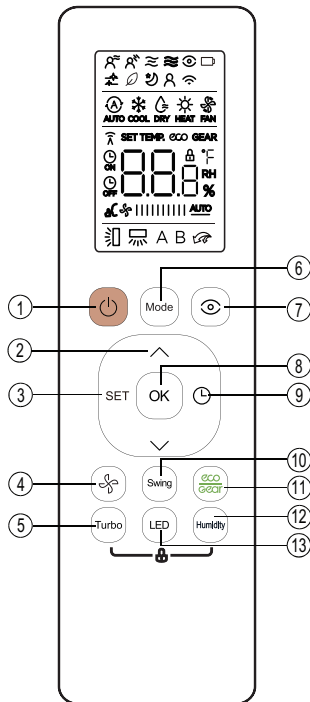


## REMOTE CONTROLLERS - FURNISHED

### WIRELESS REMOTE CONTROLLER (RG10L-WMWH)

#### (FURNISHED WITH WALL-MOUNT INDOOR UNITS)

- Complete remote control of system
- Maximum operating range is 25 ft.
- Operates on two AAA 1.5V batteries (furnished)
- Wireless remote controller holder furnished
- Holder can be mounted on a wall for easy access
- Mounting screws furnished



#### 1 ON/OFF Button

- Turns system on and off

#### 2 UP/DOWN Buttons ^ v

- Increase or decrease the indoor temperature in one degree increments (maximum 86°F, minimum 60°F)

**NOTE** - Temperature cannot be adjusted in FAN mode.

**NOTE** - Press and hold and buttons together for 3 seconds to alternate the temperature display between the °C and °F scale.

#### 3 SET Button

- Scrolls through unit operations in this order:

1. Breeze Away
2. Active Clean
3. Sleep
4. Follow Me

**NOTE** - The selected symbol will flash on the display area. Press the OK button to confirm.

#### 4 FAN Button

- Cycles fan speeds in the following order:
  - AUTO → 20% → 40% → 60% → 80% → 100%

#### 5 TURBO Button

- Enables the unit to reach the preset temperature during cooling or heating operation in the shortest time

#### 6 MODE Button

- Select system operation modes
- Press button to cycle through each setting:
  - AUTO → COOL → DRY → HEAT → FAN

#### 7 ECO INTELLIGENT EYE Button

- Not available for multi-zone systems

#### 8 OK Button

- Confirms selected function

#### 9 TIMER Button

- Initiates an auto-on or auto-off time sequence
- Press TIMER button to initiate the ON time sequence
- Press Temp. up or down button for multiple times to set the desired time to turn on the unit
- Press TIMER button to initiate the OFF time sequence.

**NOTE** - Each press of the button increases or decreases the time (depending on function) in 30 minute increments up to 10 hours.

Above 10 hours each press of the button will increase or decrease the auto-timed setting by 60 minutes up to 24 hours.

To cancel, set timer to 0.0 or turn remote off and on.

#### 10 SWING Button

- Used to stop or start louver auto swing feature

#### 11 ECO/GEAR Button

- Controls temperature/energy efficiency of the unit

**NOTE** - Only available in cooling mode.

##### ECO Operation

- Sets unit to 75°F unit operation if setpoint is lower
- Sets fan to Auto operation if setpoint is over 75°F

**NOTE** - If setpoint is manually changed to less than 75°F, ECO operation is canceled.

##### GEAR Operation

- Reduces electrical consumption to 75% or 50%

#### 12 HUMIDITY Button

- Adjusts the room humidity during DRY mode from 35% to 85%
- Each press of the button increases the humidity in 5% increments

#### 13 LED Button

- Turns the LCD display backlight on the indoor unit on or off

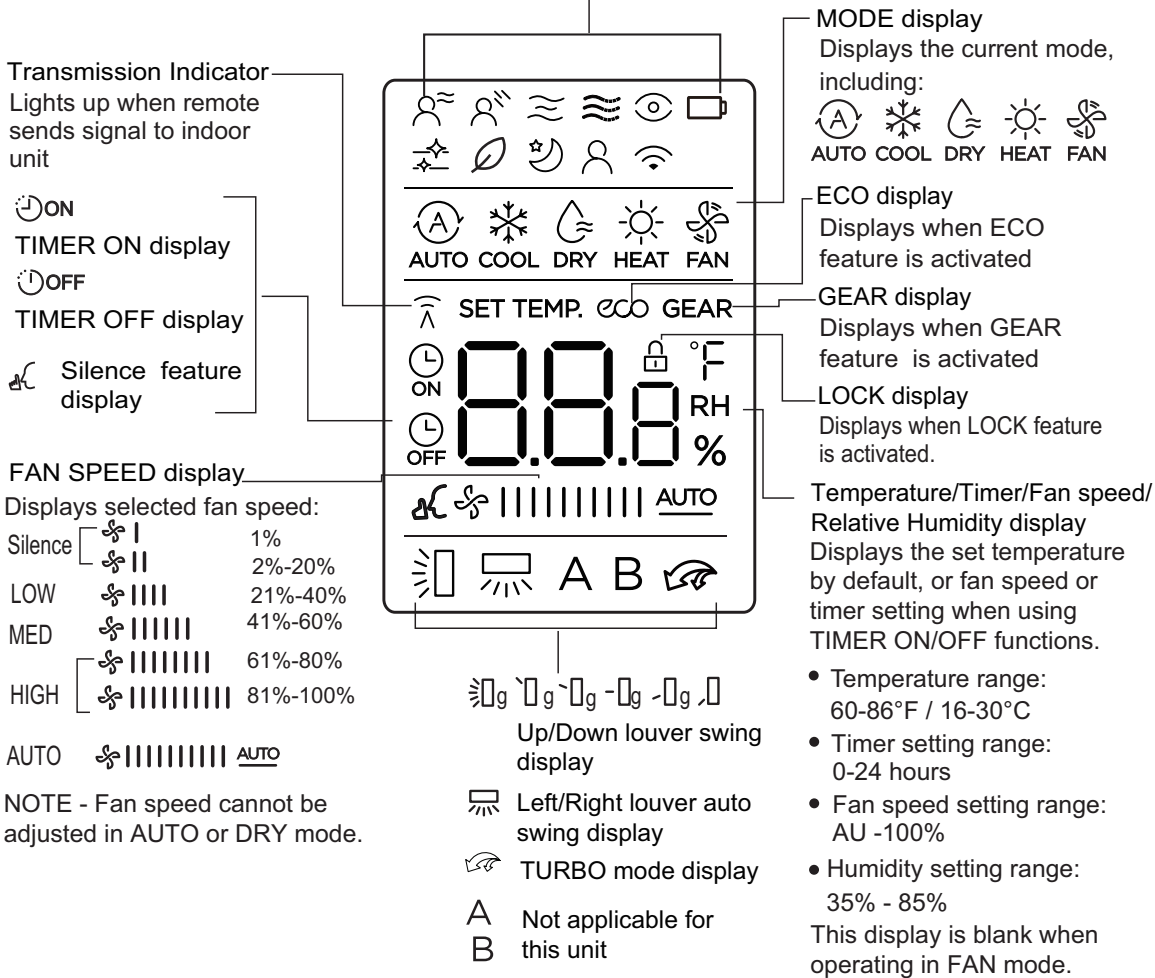
**NOTE** - Press and hold the button for 5 seconds to display the actual room temperature. Press more than 5 seconds to revert back to display set temperature.

**REMOTE CONTROLLERS - FURNISHED**

**WIRELESS REMOTE CONTROLLER INDICATORS (RG10L-WMWH)**

Information is displayed when the Wireless Remote Controller is powered on.

- |  |                                                       |  |                                     |
|--|-------------------------------------------------------|--|-------------------------------------|
|  | Not applicable for this unit                          |  | <b>Active Clean</b> feature display |
|  | <b>Breeze Away</b> feature display                    |  | Not applicable for this unit        |
|  | Not applicable for this unit                          |  | <b>Sleep</b> feature display        |
|  | Not applicable for this unit                          |  | <b>Follow Me</b> feature display    |
|  | <b>ECO Intelligent Eye</b> display<br>(certain units) |  | Not applicable for this unit        |
|  |                                                       |  | Low battery detection (flashing)    |



**Note:**  
All icons are shown for display purposes only.  
During actual unit operation, only active icons are displayed.

## REMOTE CONTROLLERS - FURNISHED

### WIRELESS REMOTE CONTROLLER OPERATION (RG10L-WMWH)

#### Auto Operation

1. Press the **MODE** button to select Auto.
2. Press the **UP/DOWN** button to set the desired temperature.
3. Press the **ON/OFF** button to start the system.

#### Cooling /Heating/Fan Operation

1. Press the **MODE** button to select **COOL**, **HEAT** or **FAN** mode.
2. Press the **UP/DOWN** buttons to set the desired temperature.
3. Press the **FAN** button to select the fan speed.
4. Press the **ON/OFF** button to start the system.

#### Dehumidifying (DRY) Operation

1. Press the **MODE** button to select **DRY** mode.
2. Press the **UP/DOWN** buttons to set the desired temperature.
3. Press the **ON/OFF** button to start the system.

**NOTE** - Fan speed selection is disabled.

#### Timer ON/OFF Operation

1. Press the **TIMER** button. The remote controller shows **TIMER ON** or **TIMER OFF** icon
2. Press the **TIMER** button again to set desired time. Each time the button is pressed the time increases by 30 minutes between 0 and 10 hours and then by 60 minutes between 10 and 24 hours.
3. After setting the **TIMER ON** or **TIMER OFF** there will be a one second delay before the remote controller transmits the signal to the unit. After approximately 2 seconds the set temperature will re-appear on the LCD display window.

#### Silence Operation

1. Press the **FAN** button for more than 2 seconds to activate or disable the Silence function

#### Lock Function

1. Press the **TURBO** and **HUMIDITY** buttons together two times in less than one second to lock the Controller to prevent tampering
2. Press the **TURBO** and **HUMIDITY** together buttons again for two seconds to unlock the Controller

#### Swing Function

1. Press the Swing button to activate up/down louver operation. Louvers oscillate up and down automatically. Press and hold the Swing button again to disable.

**NOTE** - Pressing the Swing button multiple times will set the louvers at five different fixed airflow angles.

2. Press and hold Swing button for 2 seconds to activate left/right louver operation. Louvers swing left and right automatically.

### SET BUTTON FUNCTIONS

#### Breeze Away

- Prevents unit from blowing air directly on a person

**NOTE** - Only available in **COOL**, **FAN** or **DRY** modes.

#### Active Clean

- Washes away dust, mold, and grease that may cause odors when it adheres to the indoor coil by automatically freezing and then rapidly thawing the coil
- Indoor unit displays "CL"

- After 20 to 45 minutes the unit will automatically turn cancel the operation

**NOTE** - Only available in **COOL** or **DRY** modes.

#### Sleep

- Enables the system to automatically increase cooling or decrease heating (in 2°F increments) per hour for the first 2 hours, then maintain a steady temperature for 5 hours
- System keeps the final operation mode after 8 total hours of operation

**NOTE** - To cancel, push the "MODE", "FAN SPEED" or "ON/OFF" buttons.

SLEEP mode is only available when the unit is in **COOL**, **HEAT** or **AUTO** mode

#### Follow Me

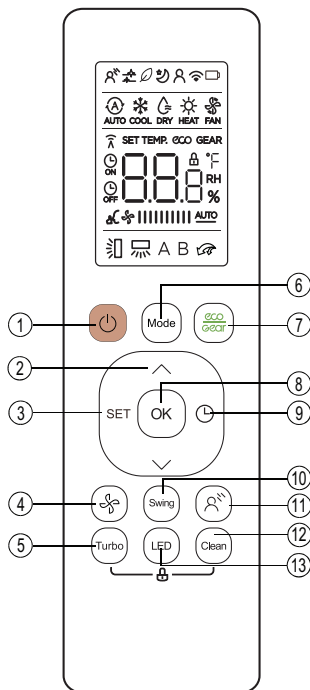
- Allows remote temperature sensing of the room at the remote controller location

## REMOTE CONTROLLERS - FURNISHED

### WIRELESS REMOTE CONTROLLER (RG10A-ACSWH)

#### (FURNISHED WITH D33C2 CASSETTE INDOOR UNITS)

- Complete remote control of system
- Maximum operating range is 25 ft.
- Operates on two AAA 1.5V batteries (furnished)
- Wireless remote controller holder furnished
- Holder can be mounted on a wall for easy access
- Mounting screws furnished



#### 1 ON/OFF Button

- Turns system on and off

#### 2 UP/DOWN Buttons ^ v

- Increase or decrease the indoor temperature in one degree increments (maximum 86°F, minimum 60°F)

**NOTE** - Temperature cannot be adjusted in FAN mode.

**NOTE** - Press and hold and buttons together for 3 seconds to alternate the temperature display between the °C and °F scale.

#### 3 SET Button

- Scrolls through unit operations in this order:
  3. Sleep
  4. Follow Me

**NOTE** - The selected symbol will flash on the display area. Press the OK button to confirm.

#### 4 FAN Button

- Cycles fan speeds in the following order:
  - AUTO → 20% → 40% → 60% → 80% → 100%

**NOTE** - Holding Fan button down for 2 seconds will activate **Silence** feature.

#### 5 TURBO Button

- Enables the unit to reach the preset temperature during cooling or heating operation in the shortest time

#### 6 MODE Button

- Select system operation modes
- Press button to cycle through each setting:
  - AUTO → COOL → DRY → HEAT → FAN

#### 7 ECO/GEAR Button

- Controls temperature/energy efficiency of the unit

**NOTE** - Only available in cooling mode.

##### ECO Operation

- Sets unit to 75°F unit operation if setpoint is lower
- Sets fan to Auto operation if setpoint is over 75°F

**NOTE** - If setpoint is manually changed to less than 75°F, ECO operation is canceled.

##### GEAR Operation

- Reduces electrical consumption to 75% or 50%

#### 8 OK Button

- Confirms selected function

#### 9 TIMER Button

- Initiates an auto-on or auto-off time sequence
- Press TIMER button to initiate the ON time sequence
- Press Temp. up or down button for multiple times to set the desired time to turn on the unit
- Press TIMER button to initiate the OFF time sequence.

**NOTE** - Each press of the button increases or decreases the time (depending on function) in 30 minute increments up to 10 hours.

Above 10 hours each press of the button will increase or decrease the auto-timed setting by 60 minutes up to 24 hours.

To cancel, set timer to 0.0 or turn remote off and on.

#### 10 SWING Button

- Used to stop or start louver auto swing feature

#### 11 BREEZE AWAY Button

- Prevents unit from blowing air directly on a person

**NOTE** - Only available in COOL, FAN or DRY modes.

#### 12 CLEAN Button

- Start/stop the Active Clean function (see description on page 14)

#### 13 LED Button

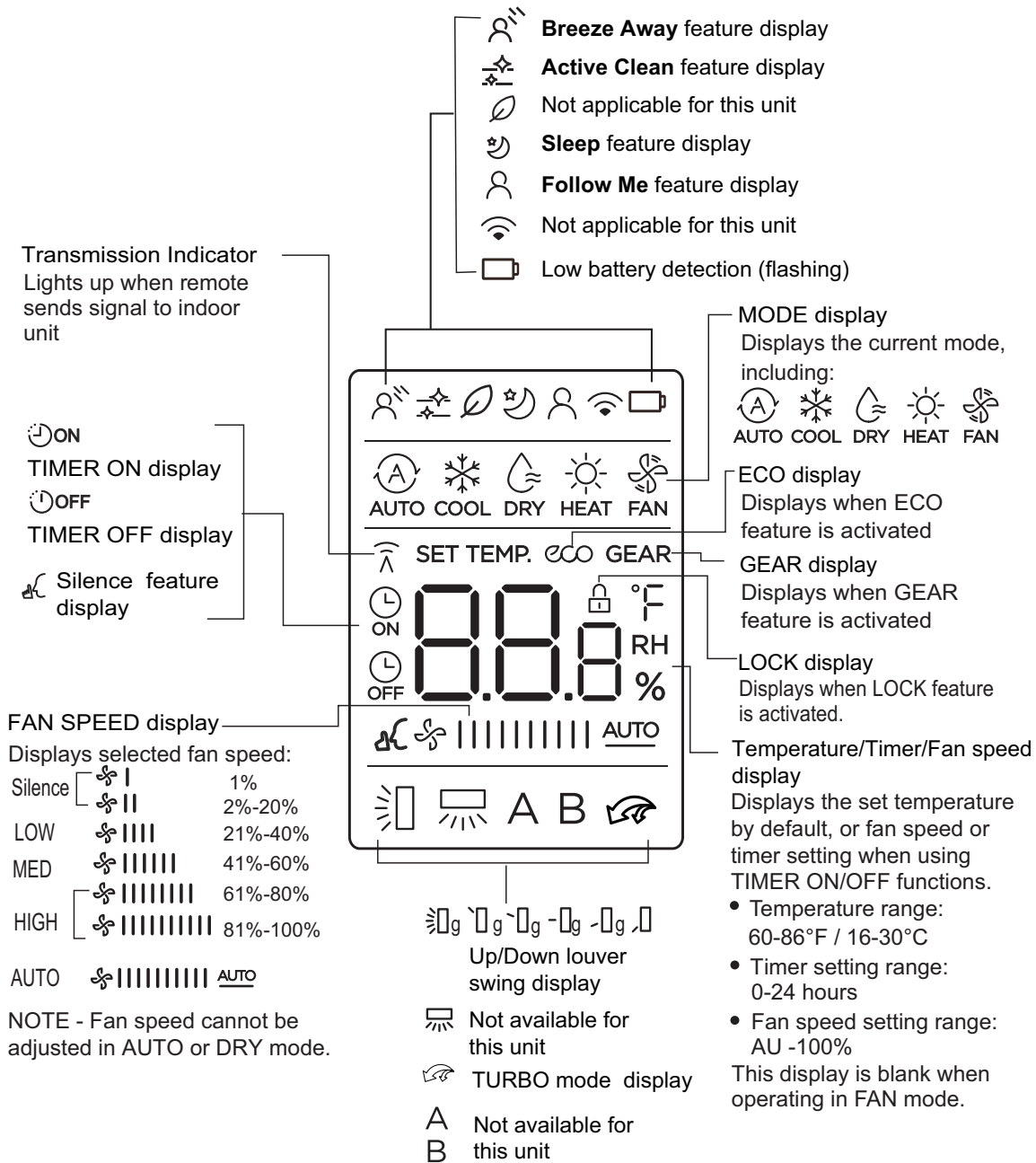
- Turns the LCD display backlight on the indoor unit on or off

**NOTE** - Press and hold the button for 5 seconds to display the actual room temperature. Press more than 5 seconds to revert back to display set temperature.

**REMOTE CONTROLLERS - FURNISHED**

**WIRELESS REMOTE CONTROLLER INDICATORS (RG10A-ACSWH)**

Information is displayed when the Wireless Remote Controller is powered on.



**Note:**  
All icons are shown for display purposes only.  
During actual unit operation, only active icons are displayed.

## REMOTE CONTROLLERS - FURNISHED

### WIRELESS REMOTE CONTROLLER OPERATION (RG10A-ACSWH)

#### Auto Operation

1. Press the **MODE** button to select Auto.
2. Press the **UP/DOWN** button to set the desired temperature.
3. Press the **ON/OFF** button to start the system.

#### Cooling /Heating/Fan Operation

1. Press the **MODE** button to select **COOL, HEAT or FAN** mode.
2. Press the **UP/DOWN** buttons to set the desired temperature.
3. Press the **FAN** button to select the fan speed in four steps- Auto, Low, Med or High.
4. Press the **ON/OFF** button to start the system.

#### Dehumidifying (DRY) Operation

1. Press the **MODE** button to select **DRY** mode.
2. Press the **UP/DOWN** buttons to set the desired temperature.
3. Press the **ON/OFF** button to start the system.

**NOTE** - Fan speed selection is disabled.

#### Timer ON/OFF Operation

1. Press the **TIMER** button. The remote controller shows **TIMER ON** or **TIMER OFF** icon
2. Press the **TIMER** button again to set desired time. Each time the button is pressed the time increases by 30 minutes between 0 and 10 hours and then by 60 minutes between 10 and 24 hours.
3. After setting the **TIMER ON** or **TIMER OFF** there will be a one second delay before the remote controller transmits the signal to the unit. After approximately 2 seconds the set temperature will re-appear on the LCD display window.

#### Silence Operation

1. Press the **FAN** button for more than 2 seconds to activate or disable the Silence function

#### Lock Function

1. Press the **TURBO** and **CLEAN** buttons together two times in less than one second to lock the Controller to prevent tampering
2. Press the **TURBO** and **CLEAN** together buttons again for two seconds to unlock the Controller

#### Swing Function

1. Press the **Swing** button to activate up/down louver operation. Louvers oscillate up and down automatically. Press and hold the Swing button again to disable.

**NOTE** - Pressing the Swing button multiple times will set the louvers at five different fixed airflow angles.

### SET BUTTON FUNCTIONS

#### Sleep

- Enables the system to automatically increase cooling or decrease heating (in 2°F increments) per hour for the first 2 hours, then maintain a steady temperature for 5 hours
- System keeps the final operation mode after 8 total hours of operation

**NOTE** - To cancel, push the "MODE", "FAN SPEED" or "ON/OFF" buttons.

SLEEP mode is only available when the unit is in COOL, HEAT or AUTO mode

#### Follow Me

- Allows remote temperature sensing of the room at the remote controller location

### CLEAN FUNCTION

#### Active Clean

- Washes away dust, mold, and grease that may cause odors when it adheres to the indoor coil by automatically freezing and then rapidly thawing the coil
- Indoor unit displays "CL"
- After 20 to 45 minutes the unit will automatically turn cancel the operation

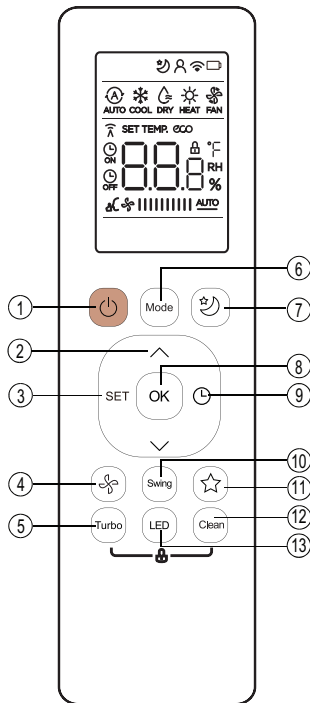
**NOTE** - Only available in COOL or DRY modes.

## REMOTE CONTROLLERS - FURNISHED

### WIRELESS REMOTE CONTROLLER (RG10B-ADC)

#### (FURNISHED WITH D22C1 CASSETTE INDOOR UNITS. OPTIONAL FOR DUCTED INDOOR UNITS)

- Complete remote control of system
- Maximum operating range is 25 ft.
- Operates on two AAA 1.5V batteries (furnished)
- Wireless remote controller holder furnished
- Holder can be mounted on a wall for easy access
- Mounting screws furnished



#### ON/OFF Button

- Turns system on and off

#### 1 UP/DOWN Buttons ^ v

- Increase or decrease the indoor temperature in one degree increments (maximum 86°F, minimum 62°F)

**NOTE** - Temperature cannot be adjusted in FAN mode.

**NOTE** - Press and hold and buttons together for 3 seconds to alternate the temperature display between the °C and °F scale.

#### 2 SET Button

- Scrolls through unit operations in this order:

1. Follow Me

**NOTE** - The selected symbol will flash on the display area. Press the OK button to confirm.

#### 3 FAN Button

- Cycles fan speeds in the following order:

- AUTO → LOW → MED → HIGH

**NOTE** - Holding Fan button down for 2 seconds will activate **Silence** feature.

#### 4 TURBO Button

- Enables the unit to reach the preset temperature during cooling or heating operation in the shortest time

#### 5 MODE Button

- Select system operation modes
- Press button to cycle through each setting:
  - AUTO → COOL → DRY → HEAT → FAN

#### 6 SLEEP Button

##### Sleep

- Enables the system to automatically increase cooling or decrease heating (in 2°F increments) per hour for the first 2 hours, then maintain a steady temperature for 5 hours
- System keeps the final operation mode after 8 total hours of operation

#### 7 OK Button

- Confirms selected function

#### 8 TIMER Button

- Initiates an auto-on or auto-off time sequence
- Press TIMER button to initiate the ON time sequence
- Press Temp. up or down button for multiple times to set the desired time to turn on the unit
- Press TIMER button to initiate the OFF time sequence.

**NOTE** - Each press of the button increases or decreases the time (depending on function) in 30 minute increments up to 10 hours.

Above 10 hours each press of the button will increase or decrease the auto-timed setting by 60 minutes up to 24 hours.

To cancel, set timer to 0.0 or turn remote off and on.

#### 9 SWING Button

- Used to stop or start louver auto swing feature

#### 10 SHORTCUT Button

- Restore the current settings or resume the previous settings

#### 11 CLEAN Button

- Start/stop the Self-Clean function
- Unit cleans itself automatically

**NOTE** - Only available in COOL or DRY modes.

#### 12 LED Button

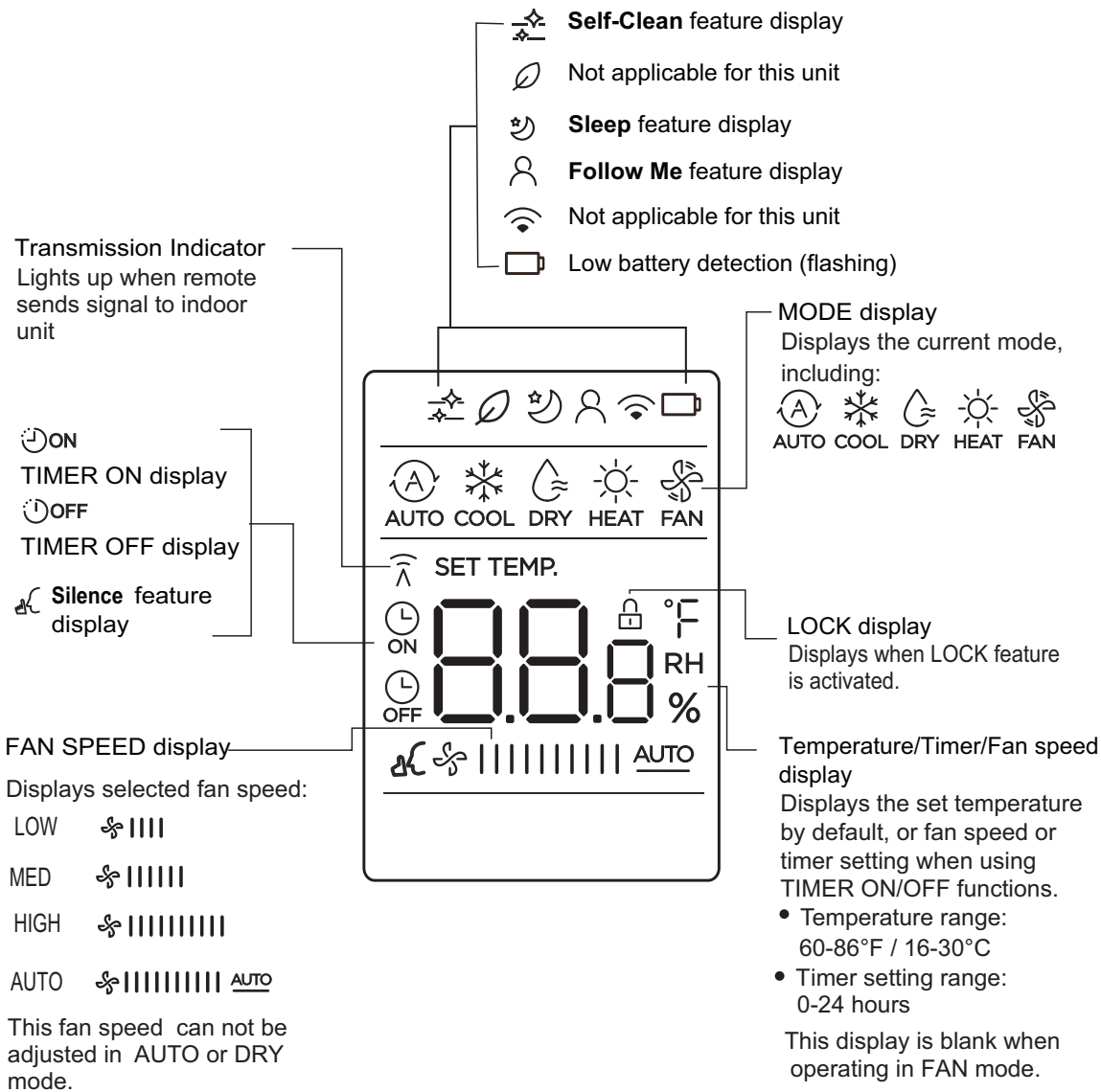
- Turns the LCD display backlight on the indoor unit on or off

**NOTE** - Press and hold the button for 5 seconds to display the actual room temperature. Press more than 5 seconds to revert back to display set temperature.

**REMOTE CONTROLLERS - FURNISHED**

**WIRELESS REMOTE CONTROLLER INDICATORS (RG10B-ADC)**

Information is displayed when the Wireless Remote Controller is powered on.



**Note:**  
 All icons are shown for display purposes only.  
 During actual unit operation, only active icons are displayed.



## REMOTE CONTROLLERS - FURNISHED

### WIRELESS REMOTE CONTROLLER OPERATION (RG10B-ADC)

#### Auto Operation

1. Press the **MODE** button to select Auto.
2. Press the **UP/DOWN** button to set the desired temperature.
3. Press the **ON/OFF** button to start the system.

#### Cooling /Heating/Fan Operation

1. Press the **MODE** button to select **COOL, HEAT or FAN** mode.
2. Press the **UP/DOWN** buttons to set the desired temperature.
3. Press the **FAN** button to select the fan speed in four steps- Auto, Low, Med or High.
4. Press the **ON/OFF** button to start the system.

#### Dehumidifying (DRY) Operation

1. Press the **MODE** button to select **DRY** mode.
2. Press the **UP/DOWN** buttons to set the desired temperature.
3. Press the **ON/OFF** button to start the system.

**NOTE** - Fan speed selection is disabled.

#### Timer ON/OFF Operation

1. Press the **TIMER** button. The remote controller shows **TIMER ON** or **TIMER OFF** icon
2. Press the **TIMER** button again to set desired time. Each time the button is pressed the time increases by 30 minutes between 0 and 10 hours and then by 60 minutes between 10 and 24 hours.
3. After setting the **TIMER ON** or **TIMER OFF** there will be a one second delay before the remote controller transmits the signal to the unit. After approximately 2 seconds the set temperature will re-appear on the LCD display window.

#### Silence Operation

1. Press the **FAN** button for more than 2 seconds to activate or disable the Silence function

#### Lock Function

1. Press the **TURBO** and **HUMIDITY** buttons together two times in less than one second to lock the Controller to prevent tampering
2. Press the **TURBO** and **HUMIDITY** together buttons again for two seconds to unlock the Controller

#### Swing Function

1. Press the **Swing** button to activate parallel louver operation. Louvers oscillate up and down automatically. Press and hold the Swing button again to disable.

**NOTE** - Pressing the Swing button multiple times will set the louvers at five different fixed airflow angles.

2. Press **Swing** button for 2 seconds to activate upright louver operation. Louvers swing left and right automatically.

### SET BUTTON FUNCTIONS

#### Follow Me

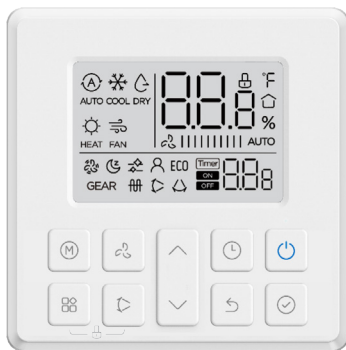
- Allows remote temperature sensing of the room at the remote controller location

**REMOTE CONTROLLERS - FURNISHED**

**WIRED REMOTE CONTROLLER (WSTAT120L-1)**

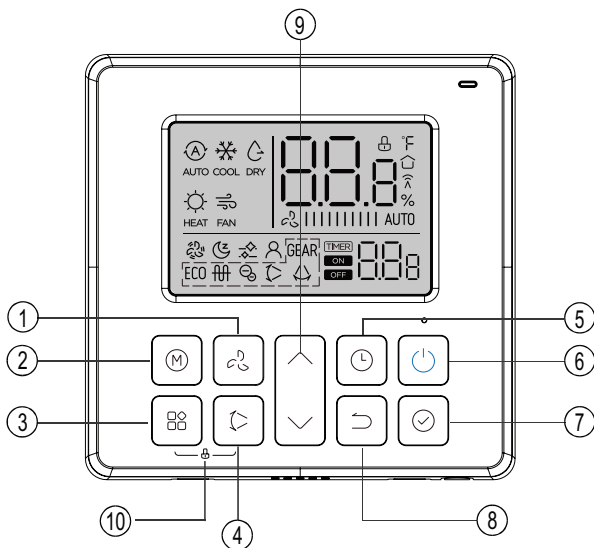
**(FURNISHED WITH DUCTED INDOOR UNITS)**

**NOTE** - Can be ordered separately for non-ducted indoor units.



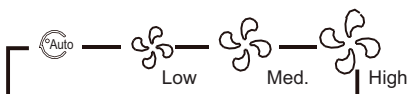
**FEATURES**

- Built-In Memory - Maintains clock, fan speed and mode of operation settings following power outages
- Dimensions (H x W x D) - 4-3/4 x 4-3/4 x 7/8 in.
- Additional hardware is furnished for installation
- 3-1/2 in. back-lit LCD display screen
- Wiring - Controller uses 5-wire shielded 20 ft. cable (furnished) for easy low voltage connection to the indoor unit
- Maximum cable length is 59 ft.



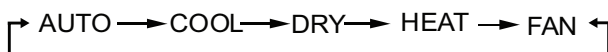
**1 FAN SPEED Button**

- Selects fan speed. Each button press cycles through the following settings on display



**2 MODE Button**

- Select system operation modes. Push button to cycle through each setting



**3 FUNCTION Button**

- Scrolls through unit operations in this order:

1. Turbo
2. Sleep
3. Active Clean
4. Follow Me

**4 SWING Button**

- Used to stop or start louver auto swing feature (certain models)
- Louvers oscillate up and down automatically. Press and hold the Swing button again to disable.
- Pressing the Swing button multiple times will set the louvers at five different fixed airflow angles.
- Press and hold Swing button for 2 seconds to activate left/right louver operation. Louvers swing left and right automatically.

**5 TIMER Button**

- TIMER ON (initiates an auto-on time sequence)
- TIMER OFF (initiates an auto-off time sequence) can be used separately or together
- Each press of the button increases the time in 30 minute increments up to 10 hours
- Above 10 hours each press of the button will increase the auto-timed setting by 60 minutes up to 24 hours

**6 POWER Button**

- Turns system on and off

**7 CONFIRM Button**

- Confirms selected function

**NOTE** - Press and hold and **Arrow Up** Button and the **Arrow Down** button together for 3 seconds to alternate the temperature display between the °F and °C scale.

**8 BACK Button**

- Returns to the previous step

**9 UP/DOWN Buttons**

- Increase or decrease the indoor temperature in two degree increments (maximum 86°F, minimum 60°F).

**NOTE** - Temperature cannot be adjusted in FAN mode.

**10 LOCK**

- Press the **Function** and **Swing** buttons simultaneously to lock or unlock the Controller to prevent tampering with settings

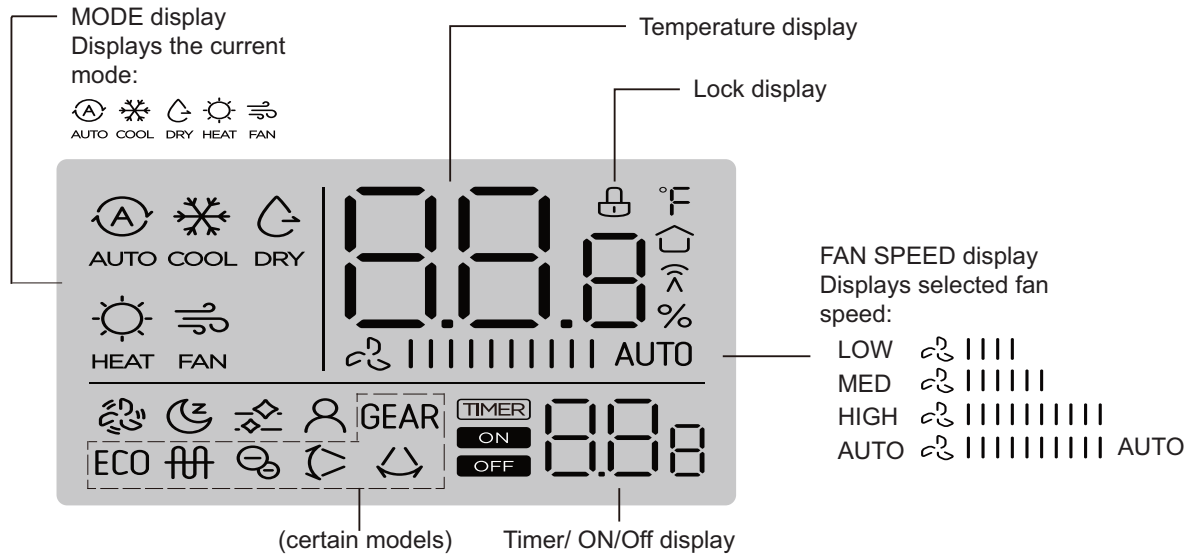
**OPTIONAL ACCESSORIES**

**Extension Cable for Wired Remote Controller**

- 20 ft. cable for easy low voltage connection to the indoor unit
- Extends cable to maximum 65 ft. length

**REMOTE CONTROLLERS - FURNISHED**

**WIRED REMOTE CONTROLLER INDICATORS (WSTAT120L-1)**



°F °F / °C display	Turbo feature display	GEAR GEAR feature display (certain models)
Room temperature display	Active clean display	ECO ECO feature display (on certain models)
Follow me feature display	SLEEP feature display	Electric heating display (certain models)
Not used	UP and down swing (certain models)	Left and right swing (certain models)

**NOTE:**  
 All icons are shown for display purposes only.  
 During actual unit operation, only active icons are displayed.

## OPTIONAL ACCESSORIES - ORDER SEPARATELY

### WIRED PROGRAMMABLE CONTROLLER (WSTAT120N-1)



#### FEATURES

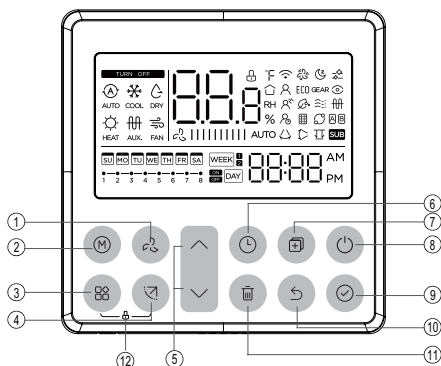
- Wired programmable local controller for mini-split indoor units with convenient timed schedules for daily operation
- Weekly timers (2), all days of the week timer, up to 8 scheduled events per day
- Schedule start time, mode, setpoint, and fan speed
- Compatible with all indoor units
- Copy/paste function for easy duplication of events to other days
- Built-in system diagnostics
- 3-1/2 in. back-lit LCD display screen
- Controller uses 4-wire shielded 20 ft. cable (furnished) for easy low voltage connection to the indoor unit
- Adaptor cables are furnished for various indoor unit connections

**NOTE** - Cable for longer lengths must be ordered separately.

**NOTE** - Maximum cable length is 164 ft..

- Hardware for mounting furnished
- Mounts to standard electrical junction box (not furnished)
- Lithium battery furnished: CR2032
- Power Supply: 12 VDC
- Dimensions (H x W x D): 4-3/4 x 4-3/4 x 7/8 in.
- Audible tone when a button is pressed (can be disabled)
- Lock function disables buttons to prevent tampering

#### DISPLAY



#### BUTTONS AND FUNCTIONS

- FAN SPEED Button**
  - Scroll through fan speeds (Auto - Low - Med - High)

- MODE Button**
  - Use + and – buttons to scroll through available operation modes (Auto / Cool / Dry / Heat / Fan)
- FUNCTION Button**
  - Scrolls through unit operations in this order:
    1. Turbo
    2. Sleep
    3. Follow Me
- SWING Button**
  - Used to stop or start louver auto swing feature (certain models)
  - Louvers oscillate up and down automatically. Press and hold the Swing button again to disable.
  - Pressing the Swing button multiple times will set the louvers at five different fixed airflow angles.
  - Press and hold Swing button for 2 seconds to activate left/right louver operation. Louvers swing left and right automatically.
- UP/DOWN Buttons**
  - Increase or decrease the indoor temperature in one degree increments (maximum 86°F, minimum 60°F).

**NOTE** - Temperature cannot be adjusted in FAN mode.
- TIMER Button**
  - Sets unit for daily or weekly on/off operation
- COPY Button**
  - Copy schedules from one day to another
- POWER Button**
  - Turn system on and off
- CONFIRM Button**
  - Confirms each step when managing schedules

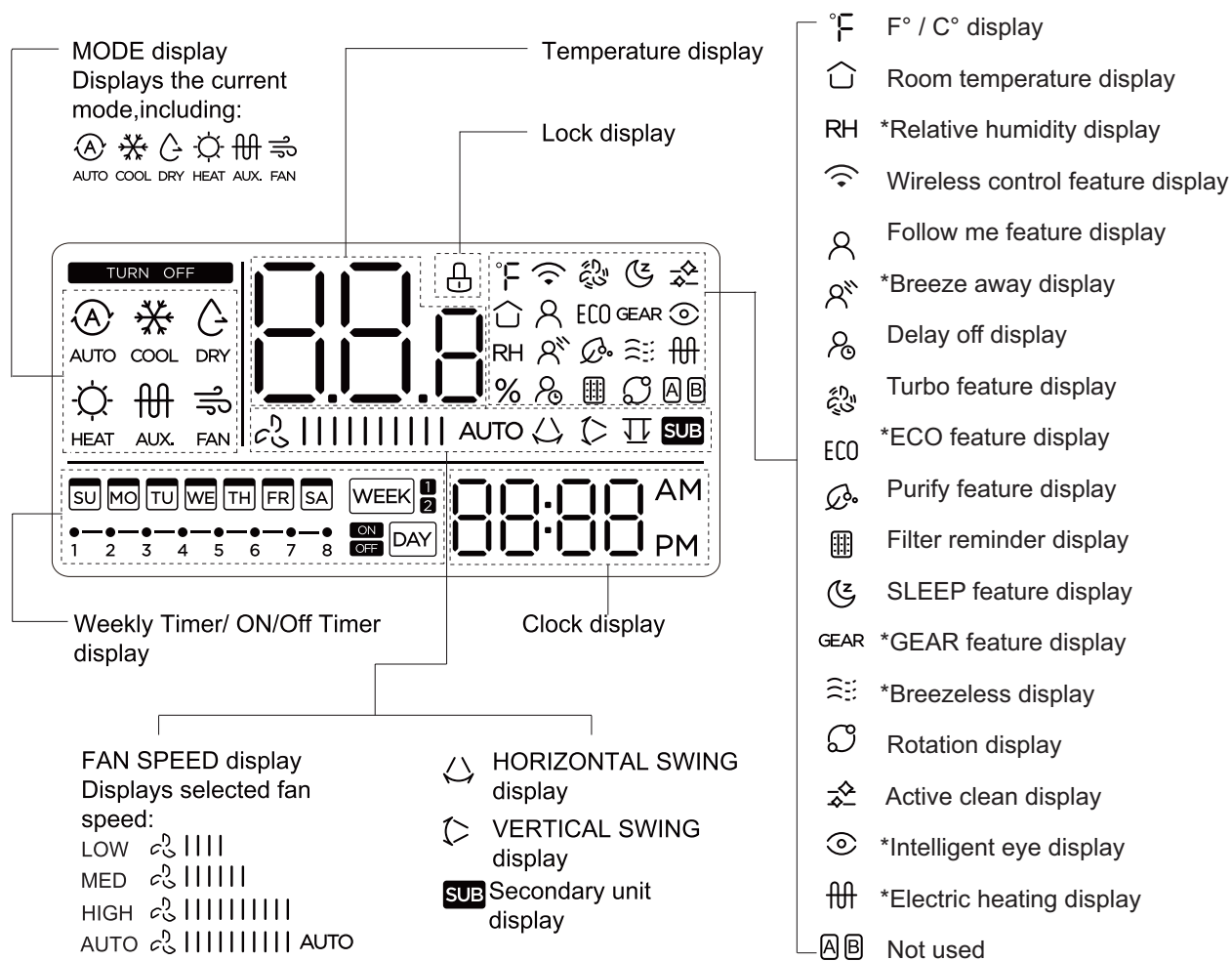
**NOTE** - Press and hold and **Confirm** Button and the **Arrow Down** button together for 3 seconds to alternate the temperature display between the °F and °C scale.
- BACK Button**
  - Returns to the previous step
- DAY OFF/DELAY BUTTON**
  - Disable specific days/schedules of the week
  - Delete a specific event
- LOCK**
  - Press the **Function** and **Swing** buttons simultaneously to lock the Controller to prevent tampering with settings

#### OPTIONAL ACCESSORIES

- Extension Cable for Wired Programmable Controller**
- 20 ft. cable for easy low voltage connection to the indoor unit
  - Extends cable to 40 ft. (12 m) length

**REMOTE CONTROLLERS - FURNISHED**

**WIRED REMOTE CONTROLLER INDICATORS (WSTAT120N-1)**



**NOTE:**  
 All icons are shown for display purposes only.  
 During actual unit operation, only active icons are displayed.

*\*Certain Models*

**OPTIONAL ACCESSORIES - ORDER SEPARATELY****OUTDOOR UNITS****Condenser Pad**

- Provides permanent foundation for outdoor units
- One-piece lightweight structural foam and molded from high-density polyethylene (HDPE)
- Lightweight, easy to carry and install
- Textured finish provides a non-skid surface so outdoor unit sits securely in one place
- UV stable

**Disconnects**

- Positive unit disconnect
- Single door enclosure
- Fused and non-fused models available

**Fuses**

- 30 and 60 amp fuses available

**Indoor/Outdoor Wiring Cable**

- 14-gauge, 4-conductor wire
- THHN (Thermoplastic High Heat-resistant Nylon-coated) wire
- Suitable for wet or dry locations
- Rated up to 600V

**Refrigerant Line Sets**

- Refrigerant lines are shipped refrigeration clean
- Lines are cleaned, dried, pressurized and sealed at factory

**Wall Brackets**

- Heavy duty 1/8 in. thick steel brackets for supporting outdoor units
- Mount at any height to allow for easy maintenance under units
- Pre-punched holes for easy installation
- Powder coated gray finish
- Load rating 600 lbs. per pair

**Whips**

- Heavy duty electrical whips are available in 8 and 10 gauge sizes
- 6 ft. lengths
- Weatherproof metal conduit

**INDOOR UNITS****Condensate Pumps**

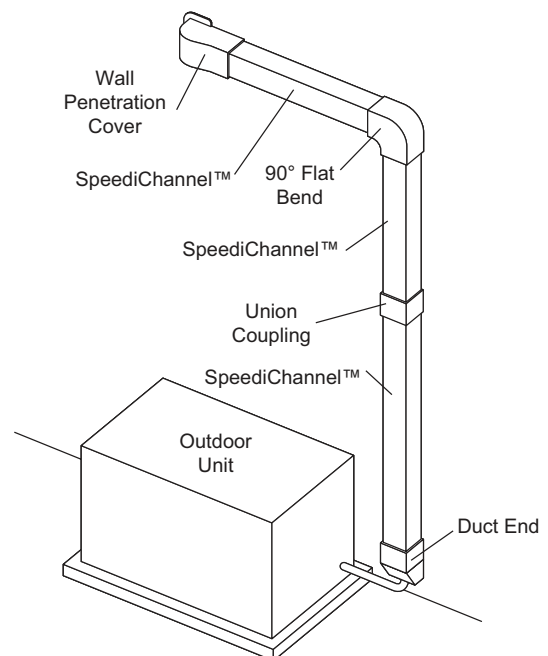
- Quietly and efficiently removes condensate
- See Optional Accessories Table for available pumps

**A/C Easy Tee® Condensate Cleanout**

- Condensate drain service port
- Flexible and easy to use with nitrogen, water or shop vac
- Screw cap on top allows easy access to condensate drain line

**SPEEDICHANNEL™ SYSTEM**

- SpeediChannel™ is a channel system covers system line sets
- Two-part system has a base and a cover
- Base is fastened to a wall or ceiling with plastic clips (SpeediClip™) that snap into a channel already molded into the base
- Cover fits on top of the base
- Manufactured from rigid PVC, which is UL rated and resistant to UV light
- System is a natural color that closely matches typical mini-split outdoor units
- Can be painted as desired to match any wall color

**Typical Application**

**OPTIONAL ACCESSORIES - ORDER SEPARATELY**

**SPEEDICHANNEL™ SYSTEM (continued)**

**SpeediChannel™ Starter Kit**

- The starter kit includes (1) Coupling, (1) Wall Penetration, (1) Inside Elbow, (1) Long Radius Flat Bend, (10) Speediclips™, (10) 11 in. Cable Ties, and (1) SpeediChannel Instruction Booklet

**Duct End**

- Duct Ends are used to terminate a run of SpeediChannel™ to a small opening just large enough for the line set and condensate drain line to pass through



**Flat Wall Escutcheon**

- Flat Wall Escutcheons are used to cover a rough opening in a soffit, wall, ceiling penetration



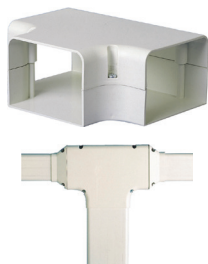
- One side of the escutcheon is flat to allow for a SpeediChannel™ to run along a wall and to penetrate through an adjacent wall or ceiling
- This is the most common type of wall penetration
- Furnished in two parts, the escutcheon easily snaps onto the SpeediChannel™

**Flex Joint**

- A Flex Joint is an accordion-style piece of SpeediChannel™
- The flex joint can be extremely flexible when routing a SpeediChannel™ system around an obstacle
- Each joint is 20 in. long and can be combined together for longer flex runs
- The flex joint does not require the use of a union coupling
- The flex joint slides tightly inside the SpeediChannel™ system

**T-Joint**

- T-Joints are used for creating a tee connection between three pieces of SpeediChannel™
- Each tee is individually packed and furnished with stainless steel screws



**Union Coupling**

- Union Couplings are used for joining two pieces of SpeediChannel™
- Each coupling is individually packed and furnished with stainless steel screws



**Wall Penetration Cover**

- Wall penetration covers are used to transition from the SpeediChannel™ system to a through wall penetration
- Wall covers are designed to allow for easy installation, even after the line set has been installed
- A hooking and fastening arrangement allows for quick installation
- Each wall cover is individually packed, and furnished with stainless steel screws attach the wall cover to the base
- Three screws are necessary to fasten the wall cover to the wall construction, regardless of the type of installed system



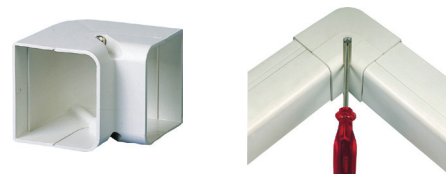
**45° and 90° Flat Bend Elbows**

- 45° Flat Bends are used to route the SpeediChannel™ around obstacles
- Each bend is individually packed and furnished with stainless steel screws



**90° Inside Elbow**

- 90° Inside Elbows are used to route the SpeediChannel™ around an inside corner
- Each elbow is individually packed and furnished with stainless steel screws



**Mount Block White Qty. (2) 14 in. and (2) 36 in.**

- Mount Blocks are used as mounting bases when outdoor units must be bolted down
- End caps (for aesthetics) come furnished with mounting bolts
- Maximum load capacity is 900 pounds per mounting block
- Installation temperatures range from -4°F to 140°F
- Mount blocks fit all mini-split outdoor units with a sliding rail feature



<b>SPECIFICATIONS</b>		<b>OUTDOOR UNITS - 1.5 TON   2 TON   2.5 TON</b>		
		<b>1.5</b>	<b>2</b>	<b>2.5</b>
<b>Nominal Size - Tons</b>				
<b>Outdoor Unit Model No.</b>		<b>4DHP2S18M</b>	<b>4DHP2S24M</b>	<b>4DHP2S30M</b>
<b>Number of Zones</b>		<b>2</b>	<b>Up to 3</b>	<b>Up to 3</b>
<b>Ambient Temperature Range - °F</b>	Cooling	-13 - 122	-13 - 122	-13 - 122
	Heating	-13 - 86	-13 - 86	-13 - 86
<b>Sound Data (dBA)</b>	Cooling	58.5	61	61
	Heating	58.5	61	61
<b>Refrigerant</b>	Charge furnished (R-410A)	4 lbs. 1 oz.	5 lbs. 11 oz.	5 lbs. 11 oz.
	Maximum line length with furnished charge (per zone) - ft.	49	74	74
	Additional charge required per ft. - oz.	0.16	0.16	0.16
<b>Compressor</b>	No. and Type	(1) Rotary	(1) Rotary	(1) Rotary
	Refrigerant oil type	VG74	VG74	VG74
	Refrigerant oil charge - oz.	15.20	21.00	21.00
<b>Connections</b>	Liquid+Gas pipe (in.) flare	(2) 1/4 + (2) 3/8	(3) 1/4 + (3) 3/8	(3) 1/4 + (3) 3/8
	Max pipe. length for all rooms - ft.	131	197	197
	Max. pipe length for one indoor unit - ft.	82	98	98
	Max. height difference between indoor and outdoor units - ft.	49	49	49
	Max. height difference between indoor units - ft.	33	33	33
<b>Outdoor Fan</b>	(No.) Diameter - in.	(1) 21	(1) 22	(1) 22
	Total air volume - cfm	1765	2130	2130
	Motor rpm	750/500	1050/900/850	1050/900/850
<b>Outdoor Coil</b>	Number of rows	2	2	2
	Fins per inch	18	18	18
	Fin type	Hydrophilic Aluminum		
	Tube outside diameter - in.	3/8	3/8	3/8
	Tube type	Rifled Copper Tubing		
	Net face area - ft. <sup>2</sup>	5.90	8.18	8.18
<b>Design Pressure</b>	PSIG	540 / 340	540 / 340	540 / 340
<b>Shipping Data</b>	Net/Shipping weight (lbs.)	100 / 109	140 / 151	140 / 151
<b>ELECTRICAL DATA</b>				
<b>Electrical Characteristics - 60 Hz - 1 Phase</b>		208/230V	208/230V	208/230V
<sup>1</sup> Maximum Overcurrent Protection (MOCP) amps		25	30	30
<sup>2</sup> Minimum circuit ampacity (MCA)		18	24.5	24.5
<b>Outdoor Fan Motor</b>	Output - W	80	120	120

NOTE - Extremes of operating range are plus and minus 10% of line voltage.

<sup>1</sup> HACR type circuit breaker or fuse.

<sup>2</sup> Refer to National or Canadian Electrical Code manual to determine wire, fuse and disconnect size requirements.

NOTE - Adaptors are furnished for the gas pipe connections:

018 - (2) 3/8 x 1/2 in.

030 - (3) 3/8 x 1/2 in.



<b>SPECIFICATIONS</b>		<b>OUTDOOR UNITS - 3 TON   4 TON</b>	
<b>Nominal Size - Tons</b>		<b>3</b>	<b>4</b>
<b>Outdoor Unit Model No.</b>		<b>4DHP2S36M</b>	<b>4DHP2S48M</b>
<b>Number of Zones</b>		<b>Up to 4</b>	<b>Up to 5</b>
<b>Ambient Temperature Range - °F</b>	Cooling	-13 - 122	-13 - 122
	Heating	-13 - 86	-13 - 86
<b>Sound Data (dBA)</b>	Cooling	63	64
	Heating	63	64
<b>Refrigerant</b>	Charge furnished (R-410A)	8 lbs. 6 oz.	10 lbs. 2 oz.
	Maximum line length with furnished charge (per zone) - ft.	98	123
	Additional charge required per ft. - oz.	0.16	0.16
<b>Compressor</b>	No. and Type	(1) Rotary	(1) Rotary
	Refrigerant oil type	VG74	VG74
	Refrigerant oil charge - oz.	33.80	47.30
<b>Connections</b>	Liquid+Gas+Gas pipe (in.) flare	(4) 1/4 + (3) 3/8 / (1) 1/2"	(5) 1/4 + (3) 3/8 / (2) 1/2"
	Max pipe. length for all rooms - ft.	262	262
	Max. pipe length for one indoor unit - ft.	115	115
	Max. height difference between indoor and outdoor units - ft.	49	49
	Max. height difference between indoor units - ft.	33	33
<b>Outdoor Fan(s)</b>	(No.) Diameter - in.	(1) 22	(2) 22
	Total air volume - cfm	2150	4500
	Motor rpm	1000/900/750	800/700/600
<b>Outdoor Coil</b>	Number of rows	2.6	2
	Fins per inch	16	18
	Fin type	Hydrophilic Aluminum	
	Tube outside diameter - in.	3/8	3/8
	Tube type	Rifled Copper Tubing	
	Net face area - ft. <sup>2</sup>	8.16	6.66+6.66
<b>Design Pressure</b>	PSIG	540 / 340	540 / 340
<b>Shipping Data</b>	Net/Shipping weight (lbs.)	169 / 181	224 / 255
<b>ELECTRICAL DATA</b>			
<b>Electrical Characteristics - 60 Hz - 1 Phase</b>		208/230V	208/230V
	<sup>1</sup> Maximum Overcurrent Protection (MOCP) amps	40	50
	<sup>2</sup> Minimum circuit ampacity (MCA)	25	35
<b>Outdoor Fan Motor</b>	Output - W	120	(2) 85

NOTE - Extremes of operating range are plus and minus 10% of line voltage.

<sup>1</sup> HACR type circuit breaker or fuse.


<sup>2</sup> Refer to National or Canadian Electrical Code manual to determine wire, fuse and disconnect size requirements.

NOTE - Adaptors are furnished for the gas pipe connections:

036 - (3) 3/8 x 1/2 in. and (1) 1/2 x 3/8 in.

048 - (3) 3/8 x 1/2 in., (2) 1/2 x 3/8 in., (2) 1/4 x 3/8 in. and (2) 1/2 x 5/8 in.

SPECIFICATIONS	WALL-MOUNTED INDOOR UNITS		
----------------	---------------------------	--	--

	Model No.	DWM206S4	DWM209S4	DWM212S4
	Nominal Tons	0.50	0.75	1
	Power Supply - 60 hz - 1 phase	208/230V	208/230V	208/230V
	Rated load amps	0.25	0.25	0.25
	Output (W)	20	20	20
Room Temperature Range (°F)	Cooling	60 - 90	60 - 90	60 - 90
	Heating	32 - 86	32 - 86	32 - 86
	Air Volume - cfm (High/Medium/Low)	318/218/168	335/230/176	335/230/176
	Sound Data (dBA) - Low/Medium/High	23/32/36	23/34/38	22.5/33.5/36
	Piping Connections - Liquid/Gas - o.d. - flare - in.	1/4 / 3/8	1/4 / 3/8	1/4 / 1/2
	Drain connection o.d. - in.	1	1	1
	Net/Shipping weights - lbs.	23 / 29	23 / 29	23 / 29

SPECIFICATIONS	WALL-MOUNTED INDOOR UNITS		
----------------	---------------------------	--	--

	Model No.	DWM218S4	DWM224S4	DWM230S4
	Nominal Tons	1.5	2	2.5
	Power Supply - 60 hz - 1 phase	208/230V	208/230V	208/230V
	Rated load amps	0.13	0.5	0.5
	Output (W)	30	58	58
Room Temperature Range (°F)	Cooling	60 - 90	60 - 90	60 - 90
	Heating	32 - 86	32 - 86	32 - 86
	Air Volume - cfm (High/Medium/Low)	524/76/306	611/414/319	646/505/382
	Sound Data (dBA) - Low/Medium/High	32.5/43/46.5	34/39.5/44	33/40.5/46
	Piping Connections - Liquid/Gas - o.d. - flare - in.	1/4 / 1/2	3/8 / 5/8	3/8 / 5/8
	Drain connection o.d. - in.	1	1	1
	Net/Shipping weights - lbs.	27 / 36	44 / 55	44 / 55

## SPECIFICATIONS

## CASSETTE INDOOR UNITS



Model No.		D22C109S4	D22C112S4	D22C118S4
Nominal Tons		0.75	1	1.5
Power Supply - 60 hz - 1 phase		208/230V	208/230V	208/230V
Rated load amps		0.9	1.0	1.5
Output (W)		46	46	46
Room Temperature Range (°F)	Cooling	62 - 90	62 - 90	62 - 90
	Heating	32 - 86	32 - 86	32 - 86
Air Volume - cfm (High/Medium/Low)		375/300/255	380/310/260	560/485/415
Sound Data (dBA) - Low/Medium/High		33/37/41	36/39/43	36/39/44
Piping Connections - Liquid/Gas - o.d. - flare - in.		1/4 / 3/8	1/4 / 1/2	1/4 / 1/2
Drain connection o.d. - in.		1	1	1
Net/Shipping weights - lbs.	Body	32 / 38	36 / 41	36 / 42

## REQUIRED COMPONENTS - ORDERED SEPARATELY

Cassette Panel		<b>1.861055</b>	<b>1.861055</b>	<b>1.861055</b>
	Net/Shipping weights - lbs.	6 / 10	6 / 10	6 / 10

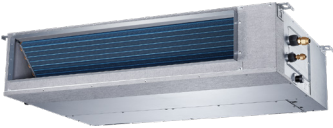
## SPECIFICATIONS

Model No.		D33C224S4		
Nominal Tons		2		
Power Supply - 60 hz - 1 phase		208/230V		
Rated load amps		1.0		
Output (W)		45		
Room Temperature Range (°F)	Cooling	60 - 90		
	Heating	32 - 86		
Air Volume - cfm (High/Medium/Low)		706 / 635 / 547		
Sound Data (dBA) - Low/Medium/High		43 / 46 / 49		
Piping Connections - Liquid/Gas - o.d. - flare - in.		3/8 / 5/8		
Drain connection o.d. - in.		1		
Net/Shipping weights - lbs.	Body	48 / 56		

## REQUIRED COMPONENTS - ORDERED SEPARATELY

Cassette Panel		<b>1.861122</b>		
	Net/Shipping weights - lbs.	14 / 20		

SPECIFICATIONS	MEDIUM STATIC DUCTED INDOOR UNITS		
----------------	-----------------------------------	--	--

	Model No.	DMD209S4	DMD212S4	DMD218S4
	Nominal Tons	0.75	1	1.5
	Power Supply - 60 hz - 1 phase	208/230V	208/230V	208/230V
	Rated load amps	1.27	1.37	1.3
	Output (W)	55	55	160
Room Temperature Range (°F)	Cooling	60 - 90	60 - 90	60 - 90
	Heating	32 - 86	32 - 86	32 - 86
Air Volume - cfm (High/Medium/Low)		353 / 282 / 176	353 / 282 / 176	529 / 450 / 371
External Static Pressure (in. w.g)		0 - 0.16	0 - 0.16	0 - 0.40
Sound Data (dBA) - Low/Medium/High		27 / 28.5 / 33.5	31 / 34.5 / 38	35 / 37.5 / 40
Piping Connections - Liquid/Gas - o.d. - flare - in.		1/4 / 3/8	1/4 / 1/2	1/4 / 1/2
Drain connection o.d. - in.		1	1	1
Net/Shipping weights - lbs.		38 / 49	38 / 49	54 / 66

SPECIFICATIONS			
----------------	--	--	--

	Model No.	DMD224S4		
	Nominal Tons	2		
	Power Supply - 60 hz - 1 phase	208/230V		
	Rated load amps	1.7		
	Output (W)	160		
Room Temperature Range (°F)	Cooling	60 - 90		
	Heating	32 - 86		
Air Volume - cfm (High/Medium/Low)		775 / 693 / 435		
External Static Pressure (in. w.g)		0 - 0.64		
Sound Data (dBA) - Low/Medium/High		37 / 41 / 44		
Piping Connections - Liquid/Gas - o.d. - flare - in.		3/8 / 5/8		
Drain connection o.d. - in.		1		
Net/Shipping weights - lbs.		87 / 103		

## AHRI RATINGS

Outdoor Unit Model No.	System Type	2017						2023					1 AHRI Reference Number
		Cooling Capacity	EER	SEER	Heat Capacity		HSPF (IV)	Cooling Capacity	EER2	SEER2	High Heat	HSPF2 (IV)	
					High	Low							
4DHP2S18M-1P	Ducted	18000	12	19	19000	14800	10.8	18000	12	19	19000	9.8	208106783
4DHP2S18M-1P	Mixed	18000	12.65	20.75	19000	14500	10.7	---	---	---	---	---	208106784
4DHP2S18M-1P	Non-Ducted	18000	13.3	22.5	19000	14300	10.6	18000	13.9	22.9	19000	10.5	208106782
4DHP2S24M-1P	Ducted	24000	12.5	21.1	24000	21600	10.5	24000	12.5	21.3	24000	9.7	208106786
4DHP2S24M-1P	Mixed	24000	12.8	22.6	24400	21000	10.75	---	---	---	---	---	208106787
4DHP2S24M-1P	Non-Ducted	24000	13.1	24.1	25000	20400	11	24000	13.4	24.6	25000	10	208106785
4DHP2S30M-1P	Ducted	28000	11.2	19.5	28000	22000	10.2	28000	11.7	20.7	28000	9.2	208106789
4DHP2S30M-1P	Mixed	28000	11.85	21.65	28000	21400	10.35	---	---	---	---	---	208106790
4DHP2S30M-1P	Non-Ducted	28000	12.5	23.8	28000	21000	10.5	28000	12.7	24.6	28000	9.3	208106788
4DHP2S36M-1P	Ducted	36000	11	19.5	37000	27400	10.7	36000	11	20	37000	9.2	208106792
4DHP2S36M-1P	Mixed	36000	11.25	21.25	37000	27000	11	---	---	---	---	---	208106793
4DHP2S36M-1P	Non-Ducted	36000	11.5	23	37000	26800	11.3	36000	11.7	23.9	37000	9.5	208106791
4DHP2S48M-1P	Ducted	48000	11.4	20.2	50000	36000	10.5	47000	11.7	20.9	49000	8.9	208106795
4DHP2S48M-1P	Mixed	48000	11.5	20.35	49500	36000	10.75	---	---	---	---	---	208106796
4DHP2S48M-1P	Non-Ducted	48000	11.6	20.5	49000	36000	11	48000	11.7	21.8	49000	9.8	208106794

<sup>1</sup> Bold Reference Numbers indicate Energy Star approval.

NOTE - Per AHRI, the certified ratings for systems are valid for all combinations of indoor units with the specific outdoor units listed above and in the AHRI Directory of Certified Equipment. Please visit <http://www.ahridirectory.org> for further details and latest updates.

<sup>1</sup> Ratings are AHRI certified to AHRI Standard 210/240;

- Cooling Ratings - 95°F wet bulb/75°F dry bulb outdoor air temperature and 80°F dry bulb/67°F wet bulb entering indoor coil air.
- High Temperature Heating Ratings - 47°F dry bulb/43°F wet bulb outdoor air temperature and 70°F dry bulb/60°F wet bulb entering indoor coil air.
- Low Temperature Heating Ratings - 17°F dry bulb/15°F wet bulb outdoor air temperature and 70°F dry bulb/60°F wet bulb entering indoor coil air.

To convert HSPF from Region IV to Region V - Divide by 1.15.

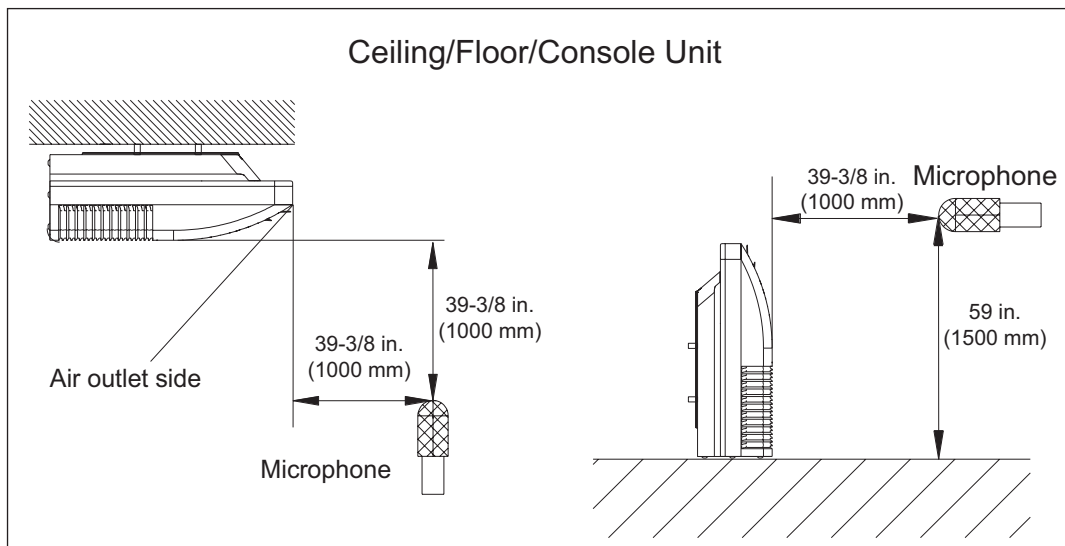
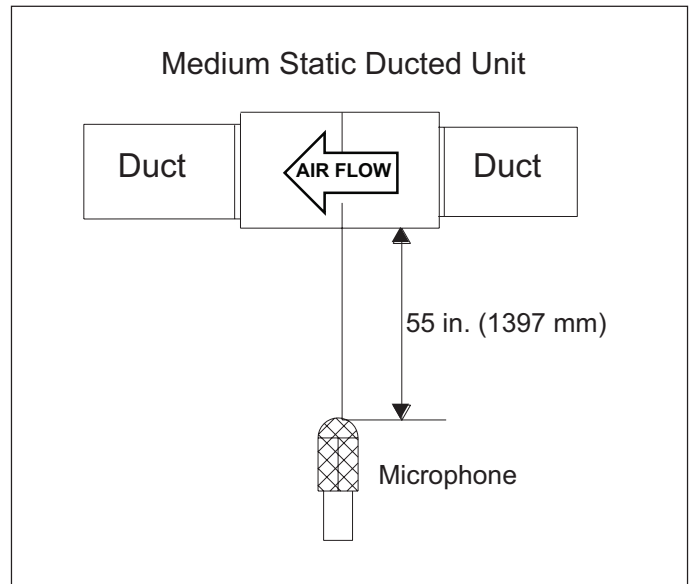
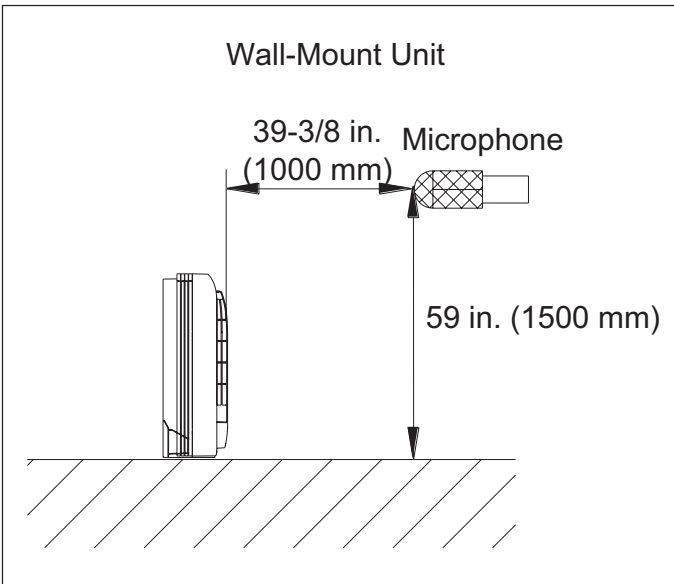
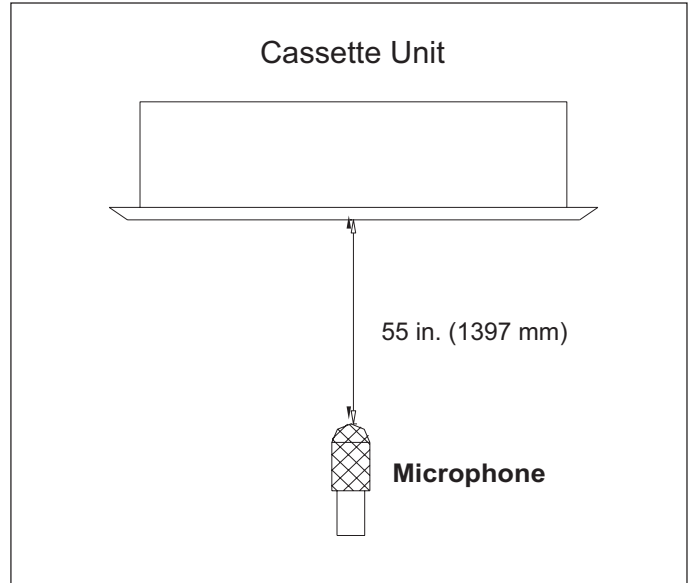
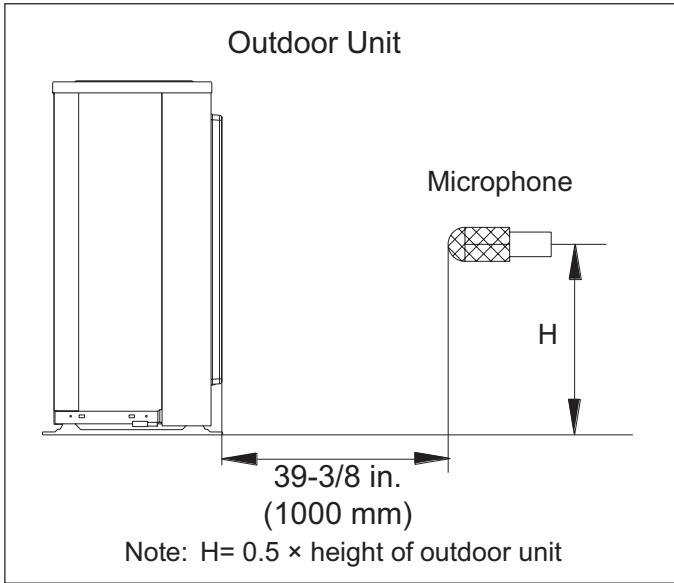
**OPTIONAL ACCESSORIES - ORDER SEPARATELY**

Description	Catalog No.	Size							
		06	09	12	18	24	30	36	48
<b>OUTDOOR UNIT</b>									
Condenser Pad (18 x 38 x 3)	Y5014								
Disconnects	30 amp, fused, 1 ph	27P37							
	60 amp, non-fused, 1 ph	27P39							
Fuses	30A	83P75							
	60A	83P77							
Hail Guards (H x W)	(1) 22-7/8 x 32 in. + (1) 22-1/4 x 11 in.	24M85							N/A
	(1) 28-5/8 x 33-1/2 in. + (1) 28-5/8 x 12-7/8 in.	24M84							N/A
	(1) 48-5/8 x 29-1/8 + (1) 48-5/8 x 11-1/2 in.	24M83							
<sup>1</sup> Line Sets	1/4 in. x 3/8 in. x 25 ft.	90X53							
	1/4 in. x 3/8 in. x 50 ft.	X0258							
	1/4 in. x 1/2 in. x 25 ft.	90X52							
	1/4 in. x 1/2 in. x 50 ft.	X0259							
	3/8 in. x 5/8 in. x 25 ft.	X8406							
	3/8 in. x 5/8 in. x 50 ft.	X8407							
Wall Brackets	30 inch	X1727							
	36 inch	X1728							
Whips	10 Gauge - 1/2 in. x 6 ft.	29P54							
	8 Gauge - 3/4 in. x 6 ft.	27P44							
<b>INDOOR UNIT</b>									
<sup>2</sup> Diversitech Condensate Pumps with Reservoir	ClearVue Mini™ - 7.9 US gallons per hour, 35 ft. lift - 120-240V	Y5170							N/A
	Mini-Split Pump - 4 US gallons per hour, 20 ft. lift - 115V	Y7946							N/A
	Mini-Split Pump - 4 US gallons per hour, 20 ft. lift - 230V	Y7949							N/A
<sup>2</sup> Blue Diamond® Condensate Pumps with Reservoir	MicroBlue® - 1.3 US gallons per hour, 6 ft. lift - 110-230V	14T74							N/A
	MaxiBlue® - 3.7 US gallons per hour, 16.5 ft. lift - 208/230V	14T69							
	MultiTank Kit	14T75							
	Sensor Cable Extension - 16 ft.	14T76							
A/C Easy Tee® Condensate Cleanout	Y7947								
<b>CONTROLS</b>									
Wired Remote Controller (Furnished With All Ducted Models)	WSTAT120L-1	1.861126							
Extension Cable for Wired Remote Controller - 20 ft.	Y8008								
NOTE - The Wired Remote Controller above is furnished as standard with the indoor ducted models. As an option, the Wired Remote Controller can be ordered for a wall-mount, cassette, floor console or ceiling/floor mount unit if desired.									
Wired Programmable Controller	WSTAT120N-1	1.861127							
Extension Cable for Wired Programmable Controller - 20 ft.	M0CTRL64Q-1	Y8738							
Indoor/Outdoor Wiring Cable - 14 Gauge, 4 conductor wire, THHN, 250 ft.	Y2067								
Wireless Remote Controller (Optional for Ducted Models only)	RG10B-ADC	1.861120							
<b>SPEEDICHANNEL™ SYSTEM</b>									
SpeediChannel™ Starter Kit - 4 in.	Y3387								
SpeediChannel - 4 in. x 6-1/2 ft. (qty. 6)	Y3388								
Union Coupling - 4 in.	Y3389								
90° Flat Bend Elbow - 4 in.	Y3390								
90° Inside Elbow - 4 in.	Y3391								
45° Flat Bend Elbow - 4 in.	Y3392								
Flex Joint - 4 in.	Y3393								
T-Joint - 4 in.	Y3394								
Duct End - 4 in.	Y3395								
Flat Wall Escutcheon - 4 in.	Y3396								
Wall Penetration Cover - 4 in.	Y3399								
Mount Block (White) Qty, 2 - 14 in.	Y3397								
Mount Block (White) Qty, 2 - 36 in.	Y3398								

<sup>1</sup> See "Outdoor To Indoor Unit Line Connections" tables starting on page 42 for correct refrigerant line adaptors furnished with outdoor units.

<sup>2</sup> Y7946, Y7949 and 14T74 condensate pumps can be installed inside the indoor units. All other pumps must be installed external to the indoor unit.

**SOUND LEVELS - TEST CONDITIONS**



**MULTI-ZONE SYSTEM COMBINATIONS**

**NOTE - For multi-zone systems, the total capacity of all indoor units must be 66% to 133% of the outdoor unit capacity.**

Outdoor Unit Model No.	Number of Zones	Indoor Unit Capacity					Nominal Cooling Capacity at Rated System Capacity (Btuh)					Nominal Heating Capacity at Rated System Capacity (Btuh)				
		#1	#2	#3	#4	#5	#1	#2	#3	#4	#5	#1	#2	#3	#4	#5
4DHP2S18M	2	6K	6K	---	---	---	6,000	6,000	---	---	---	6,700	6,700	---	---	---
		9K	6K	---	---	---	9,000	6,000	---	---	---	9,900	6,600	---	---	---
		12K	6K	---	---	---	12,000	6,000	---	---	---	12,500	6,300	---	---	---
		9K	9K	---	---	---	9,000	9,000	---	---	---	9,500	9,500	---	---	---
		12K	9K	---	---	---	11,000	8,000	---	---	---	11,500	8,600	---	---	---
		12K	12K	---	---	---	10,000	10,000	---	---	---	10,100	10,100	---	---	---
4DHP2S24M	2	12K	6K	---	---	---	12,000	6,000	---	---	---	12,900	6,500	---	---	---
		18K	6K	---	---	---	17,000	5,000	---	---	---	18,900	6,300	---	---	---
		9K	9K	---	---	---	9,000	9,000	---	---	---	9,700	9,700	---	---	---
		12K	9K	---	---	---	11,000	8,000	---	---	---	12,900	9,700	---	---	---
		18K	9K	---	---	---	16,000	8,000	---	---	---	18,300	9,200	---	---	---
		12K	12K	---	---	---	11,000	11,000	---	---	---	12,600	12,600	---	---	---
		18K	12K	---	---	---	15,000	10,000	---	---	---	17,400	11,600	---	---	---
	18K	18K	---	---	---	14,000	14,000	---	---	---	14,800	14,800	---	---	---	
	3	6K	6K	6K	---	---	7,000	7,000	7,000	---	---	8,500	8,500	8,500	---	---
		9K	6K	6K	---	---	10,000	7,000	7,000	---	---	11,500	7,700	7,700	---	---
		12K	6K	6K	---	---	13,000	6,000	6,000	---	---	13,900	7,000	7,000	---	---
		18K	6K	6K	---	---	17,000	6,000	6,000	---	---	17,500	5,900	5,900	---	---
		9K	9K	6K	---	---	9,000	9,000	6,000	---	---	9,500	9,500	6,000	---	---
		12K	9K	6K	---	---	12,000	9,000	6,000	---	---	12,700	9,500	6,400	---	---
18K		9K	6K	---	---	16,000	8,000	5,000	---	---	16,100	8,100	5,400	---	---	
12K		12K	6K	---	---	11,000	11,000	6,000	---	---	11,700	11,700	5,900	---	---	
18K		12K	6K	---	---	15,000	10,000	5,000	---	---	15,000	10,000	5,000	---	---	
9K		9K	9K	---	---	9,000	9,000	9,000	---	---	9,500	9,500	9,500	---	---	
12K		9K	9K	---	---	11,000	9,000	9,000	---	---	11,700	8,800	8,800	---	---	
18K		9K	9K	---	---	15,000	7,000	7,000	---	---	15,000	7,500	7,500	---	---	
12K		12K	9K	---	---	11,000	11,000	8,000	---	---	10,800	10,800	8,100	---	---	
12K	12K	12K	---	---	10,000	10,000	10,000	---	---	10,000	10,000	10,000	---	---		
4DHP2S30M	2	12K	6K	---	---	---	12,000	6,000	---	---	---	12,900	6,500	---	---	---
		18K	6K	---	---	---	17,000	5,000	---	---	---	18,900	6,300	---	---	---
		9K	9K	---	---	---	9,000	9,000	---	---	---	9,700	9,700	---	---	---
		12K	9K	---	---	---	11,000	8,000	---	---	---	12,900	9,700	---	---	---
		18K	9K	---	---	---	16,000	8,000	---	---	---	18,300	9,200	---	---	---
		12K	12K	---	---	---	11,000	11,000	---	---	---	12,600	12,600	---	---	---
		18K	12K	---	---	---	15,000	10,000	---	---	---	17,400	11,600	---	---	---
	18K	18K	---	---	---	14,000	14,000	---	---	---	14,800	14,800	---	---	---	
	3	6K	6K	6K	---	---	7,000	7,000	7,000	---	---	8,500	8,500	8,500	---	---
		9K	6K	6K	---	---	10,000	7,000	7,000	---	---	11,500	7,700	7,700	---	---
		12K	6K	6K	---	---	13,000	6,000	6,000	---	---	13,900	7,000	7,000	---	---
		18K	6K	6K	---	---	17,000	6,000	6,000	---	---	17,500	5,900	5,900	---	---
		9K	9K	6K	---	---	10,000	10,000	6,000	---	---	10,500	10,500	7,000	---	---
		12K	9K	6K	---	---	12,000	9,000	6,000	---	---	12,700	9,500	6,400	---	---
18K		9K	6K	---	---	16,000	8,000	5,000	---	---	16,100	8,100	5,400	---	---	
12K		12K	6K	---	---	11,000	11,000	6,000	---	---	11,700	11,700	5,900	---	---	
18K		12K	6K	---	---	15,000	10,000	5,000	---	---	15,000	10,000	5,000	---	---	
9K		9K	9K	---	---	9,000	9,000	9,000	---	---	9,500	9,500	9,500	---	---	
12K		9K	9K	---	---	11,000	9,000	9,000	---	---	11,700	8,800	8,800	---	---	
18K		9K	9K	---	---	15,000	7,000	7,000	---	---	15,000	7,500	7,500	---	---	
12K		12K	9K	---	---	11,000	11,000	8,000	---	---	10,800	10,800	8,100	---	---	
12K	12K	12K	---	---	10,000	10,000	10,000	---	---	10,000	10,000	10,000	---	---		



**MULTI-ZONE SYSTEM COMBINATIONS**

**NOTE - For multi-zone systems, the total capacity of all indoor units must be 66% to 133% of the outdoor unit capacity.**

Outdoor Unit Model No.	Number of Zones	Indoor Unit Capacity					Nominal Cooling Capacity at Rated System Capacity (Btuh)					Nominal Heating Capacity at Rated System Capacity (Btuh)				
		#1	#2	#3	#4	#5	#1	#2	#3	#4	#5	#1	#2	#3	#4	#5
4DHP2S36M	2	18K	6K	---	---	---	18,000	6,000	---	---	---	19,100	6,400	---	---	---
		24K	6K	---	---	---	22,000	6,000	---	---	---	24,200	6,100	---	---	---
		18K	9K	---	---	---	17,000	9,000	---	---	---	18,700	9,400	---	---	---
		24K	9K	---	---	---	21,000	8,000	---	---	---	23,300	8,800	---	---	---
		12K	12K	---	---	---	12,000	12,000	---	---	---	12,800	12,800	---	---	---
		18K	12K	---	---	---	17,000	11,000	---	---	---	18,200	12,100	---	---	---
		24K	12K	---	---	---	20,000	10,000	---	---	---	22,200	11,100	---	---	---
		18K	18K	---	---	---	15,000	15,000	---	---	---	16,600	16,600	---	---	---
		24K	18K	---	---	---	18,000	13,000	---	---	---	19,300	14,500	---	---	---
	24K	24K	---	---	---	15,000	15,000	---	---	---	15,700	15,700	---	---	---	
	3	12K	6K	6K	---	---	12,900	6,500	6,500	---	---	13,600	6,800	6,800	---	---
		18K	6K	6K	---	---	18,000	6,000	6,000	---	---	18,900	6,300	6,300	---	---
		24K	6K	6K	---	---	22,000	5,500	5,500	---	---	23,200	5,800	5,800	---	---
		12K	9K	6K	---	---	12,500	9,300	6,200	---	---	13,100	9,800	6,600	---	---
		18K	9K	6K	---	---	17,200	8,600	5,700	---	---	18,100	9,100	6,100	---	---
		24K	9K	6K	---	---	21,100	7,900	5,300	---	---	22,200	8,400	5,600	---	---
		12K	12K	6K	---	---	12,000	12,000	6,000	---	---	12,600	12,600	6,300	---	---
		18K	12K	6K	---	---	16,500	11,000	5,500	---	---	17,400	11,600	5,800	---	---
		24K	12K	6K	---	---	20,100	10,000	5,000	---	---	21,200	10,600	5,300	---	---
		18K	18K	6K	---	---	15,100	15,100	5,000	---	---	15,900	15,900	5,300	---	---
		24K	18K	6K	---	---	18,100	13,600	4,500	---	---	19,200	14,400	4,800	---	---
		9K	9K	9K	---	---	9,300	9,300	9,300	---	---	9,800	9,800	9,800	---	---
		12K	9K	9K	---	---	12,000	9,000	9,000	---	---	12,600	9,500	9,500	---	---
		18K	9K	9K	---	---	16,500	8,300	8,300	---	---	17,400	8,700	8,700	---	---
		24K	9K	9K	---	---	20,100	7,500	7,500	---	---	21,200	8,000	8,000	---	---
		12K	12K	9K	---	---	11,500	11,500	8,600	---	---	12,100	12,100	9,100	---	---
		18K	12K	9K	---	---	15,800	10,500	7,900	---	---	16,700	11,100	8,400	---	---
		24K	12K	9K	---	---	19,100	9,600	7,200	---	---	20,200	10,100	7,600	---	---
		18K	18K	9K	---	---	14,300	14,300	7,200	---	---	15,200	15,200	7,600	---	---
		12K	12K	12K	---	---	11,000	11,000	11,000	---	---	11,600	11,600	11,600	---	---
		18K	12K	12K	---	---	15,100	10,000	10,000	---	---	15,900	10,600	10,600	---	---
	24K	12K	12K	---	---	18,100	9,100	9,100	---	---	19,200	9,600	9,600	---	---	
	18K	18K	12K	---	---	13,600	13,600	9,100	---	---	14,400	14,400	9,600	---	---	
	4	6K	6K	6K	6K	---	7,200	7,200	7,200	7,200	---	7,700	7,700	7,700	7,700	---
		9K	6K	6K	6K	---	10,400	6,900	6,900	6,900	---	11,000	7,400	7,400	7,400	---
		12K	6K	6K	6K	---	13,200	6,600	6,600	6,600	---	14,000	7,000	7,000	7,000	---
		18K	6K	6K	6K	---	17,900	6,000	6,000	6,000	---	19,000	6,400	6,400	6,400	---
		24K	6K	6K	6K	---	21,400	5,300	5,300	5,300	---	22,600	5,700	5,700	5,700	---
		9K	9K	6K	6K	---	9,900	9,900	6,600	6,600	---	10,500	10,500	7,000	7,000	---
		12K	9K	6K	6K	---	12,600	9,400	6,300	6,300	---	13,300	10,000	6,700	6,700	---
		18K	9K	6K	6K	---	17,000	8,500	5,700	5,700	---	18,000	9,000	6,000	6,000	---
		24K	9K	6K	6K	---	20,100	7,500	5,000	5,000	---	21,200	8,000	5,300	5,300	---
		12K	12K	6K	6K	---	12,000	12,000	6,000	6,000	---	12,700	12,700	6,400	6,400	---
		18K	12K	6K	6K	---	16,000	10,700	5,300	5,300	---	17,000	11,300	5,700	5,700	---
		24K	12K	6K	6K	---	18,900	9,400	4,700	4,700	---	19,900	10,000	5,000	5,000	---
		9K	9K	9K	6K	---	9,400	9,400	9,400	6,300	---	10,000	10,000	10,000	6,700	---
		12K	9K	9K	6K	---	12,000	9,000	9,000	6,000	---	12,700	9,500	9,500	6,400	---
		18K	9K	9K	6K	---	16,000	8,000	8,000	5,300	---	17,000	8,500	8,500	5,700	---
24K		9K	9K	6K	---	18,900	7,100	7,100	4,700	---	19,900	7,500	7,500	5,000	---	
12K		12K	9K	6K	---	11,300	11,300	8,500	5,700	---	12,000	12,000	9,000	6,000	---	
18K		12K	9K	6K	---	15,100	10,100	7,500	5,000	---	15,900	10,600	8,000	5,300	---	
12K		12K	12K	6K	---	10,700	10,700	10,700	5,300	---	11,300	11,300	11,300	5,700	---	
18K		12K	12K	6K	---	14,100	9,400	9,400	4,700	---	14,900	10,000	10,000	5,000	---	
9K		9K	9K	9K	---	9,000	9,000	9,000	9,000	---	9,500	9,500	9,500	9,500	---	
12K		9K	9K	9K	---	11,300	8,500	8,500	8,500	---	12,000	9,000	9,000	9,000	---	
18K		9K	9K	9K	---	15,100	7,500	7,500	7,500	---	15,900	8,000	8,000	8,000	---	
12K		12K	9K	9K	---	10,700	10,700	8,000	8,000	---	11,300	11,300	8,500	8,500	---	
18K	12K	9K	9K	---	14,100	9,400	7,100	7,100	---	14,900	10,000	7,500	7,500	---		
12K	12K	12K	9K	---	10,100	10,100	10,100	7,500	---	10,600	10,600	10,600	8,000	---		
12K	12K	12K	12K	---	9,400	9,400	9,400	9,400	---	10,000	10,000	10,000	10,000	---		

**MULTI-ZONE SYSTEM COMBINATIONS**

**NOTE - For multi-zone systems, the total capacity of all indoor units must be 66% to 133% of the outdoor unit capacity.**

Outdoor Unit Model No.	Number of Zones	Indoor Unit Capacity					Nominal Cooling Capacity at Rated System Capacity (Btuh)					Nominal Heating Capacity at Rated System Capacity (Btuh)				
		#1	#2	#3	#4	#5	#1	#2	#3	#4	#5	#1	#2	#3	#4	#5
4DHP2S48M	2	24K	9K	---	---	---	24,000	9,000	---	---	---	25,100	9,400	---	---	---
		30K	9K	---	---	---	29,000	8,000	---	---	---	30,400	9,100	---	---	---
		24K	12K	---	---	---	23,000	11,000	---	---	---	24,800	12,400	---	---	---
		30K	12K	---	---	---	28,000	11,000	---	---	---	29,600	11,900	---	---	---
		18K	18K	---	---	---	17,000	17,000	---	---	---	18,600	18,600	---	---	---
		24K	18K	---	---	---	22,000	17,000	---	---	---	23,700	17,800	---	---	---
		30K	18K	---	---	---	26,000	15,000	---	---	---	27,600	16,600	---	---	---
		24K	24K	---	---	---	21,000	21,000	---	---	---	22,000	22,000	---	---	---
		30K	24K	---	---	---	23,000	18,000	---	---	---	25,000	20,000	---	---	---
		30K	30K	---	---	---	19,000	19,000	---	---	---	21,700	21,700	---	---	---
	3	24K	6K	6K	---	---	24,000	6,000	6,000	---	---	25,500	6,400	6,400	---	---
		30K	6K	6K	---	---	29,000	6,000	6,000	---	---	30,100	6,100	6,100	---	---
		24K	9K	6K	---	---	23,000	9,000	6,000	---	---	24,800	9,300	6,200	---	---
		30K	9K	6K	---	---	28,000	8,000	6,000	---	---	29,300	8,800	5,900	---	---
		18K	12K	6K	---	---	18,000	12,000	6,000	---	---	19,100	12,800	6,400	---	---
		24K	12K	6K	---	---	23,000	11,000	6,000	---	---	24,100	12,100	6,100	---	---
		30K	12K	6K	---	---	27,000	11,000	5,000	---	---	28,600	11,500	5,800	---	---
		18K	18K	6K	---	---	17,000	17,000	6,000	---	---	18,100	18,100	6,100	---	---
		24K	18K	6K	---	---	22,000	16,000	5,000	---	---	22,900	17,200	5,800	---	---
		30K	18K	6K	---	---	26,000	15,000	5,000	---	---	27,300	16,400	5,500	---	---
		24K	24K	6K	---	---	20,000	20,000	5,000	---	---	21,800	21,800	5,500	---	---
		30K	24K	6K	---	---	24,000	19,000	5,000	---	---	26,200	21,000	5,300	---	---
		18K	9K	9K	---	---	18,000	9,000	9,000	---	---	19,100	9,600	9,600	---	---
		24K	9K	9K	---	---	23,000	9,000	9,000	---	---	24,100	9,100	9,100	---	---
		30K	9K	9K	---	---	27,000	8,000	8,000	---	---	28,600	8,600	8,600	---	---
		12K	12K	9K	---	---	12,000	12,000	9,000	---	---	13,200	13,200	9,900	---	---
		18K	12K	9K	---	---	18,000	12,000	9,000	---	---	18,600	12,400	9,300	---	---
		24K	12K	9K	---	---	22,000	11,000	8,000	---	---	23,500	11,800	8,800	---	---
		30K	12K	9K	---	---	26,000	11,000	8,000	---	---	27,900	11,200	8,400	---	---
		18K	18K	9K	---	---	17,000	17,000	8,000	---	---	17,600	17,600	8,800	---	---
24K	18K	9K	---	---	21,000	16,000	8,000	---	---	22,300	16,800	8,400	---	---		
30K	18K	9K	---	---	25,000	15,000	7,000	---	---	26,700	16,100	8,100	---	---		
24K	24K	9K	---	---	20,000	20,000	7,000	---	---	21,400	21,400	8,100	---	---		
30K	24K	9K	---	---	23,000	19,000	7,000	---	---	25,700	20,600	7,800	---	---		
12K	12K	12K	---	---	12,000	12,000	12,000	---	---	12,800	12,800	12,800	---	---		
18K	12K	12K	---	---	17,000	11,000	11,000	---	---	18,100	12,100	12,100	---	---		
24K	12K	12K	---	---	22,000	11,000	11,000	---	---	22,900	11,500	11,500	---	---		
30K	12K	12K	---	---	26,000	10,000	10,000	---	---	27,300	10,900	10,900	---	---		
18K	18K	12K	---	---	16,000	16,000	11,000	---	---	17,200	17,200	11,500	---	---		
24K	18K	12K	---	---	20,000	15,000	10,000	---	---	21,800	16,400	10,900	---	---		
30K	18K	12K	---	---	24,000	14,000	10,000	---	---	26,200	15,700	10,500	---	---		
24K	24K	12K	---	---	19,000	19,000	10,000	---	---	21,000	21,000	10,500	---	---		
18K	18K	18K	---	---	15,000	15,000	15,000	---	---	16,400	16,400	16,400	---	---		
24K	18K	18K	---	---	19,000	14,000	14,000	---	---	21,000	15,700	15,700	---	---		

**MULTI-ZONE SYSTEM COMBINATIONS**

**NOTE - For multi-zone systems, the total capacity of all indoor units must be 66% to 133% of the outdoor unit capacity.**

Outdoor Unit Model No.	Number of Zones	Indoor Unit Capacity					Nominal Cooling Capacity at Rated System Capacity (Btuh)					Nominal Heating Capacity at Rated System Capacity (Btuh)				
		#1	#2	#3	#4	#5	#1	#2	#3	#4	#5	#1	#2	#3	#4	#5
4DHP2S48M	4	18K	6K	6K	6K	---	18,000	6,000	6,000	6,000	---	---	19,400	6,500	6,500	6,500
		24K	6K	6K	6K	---	24,000	6,000	6,000	6,000	---	---	25,100	6,300	6,300	6,300
		30K	6K	6K	6K	---	29,000	6,000	6,000	6,000	---	---	30,100	6,100	6,100	6,100
		18K	9K	6K	6K	---	18,000	9,000	6,000	6,000	---	---	19,100	9,600	6,400	6,400
		24K	9K	6K	6K	---	24,000	9,000	6,000	6,000	---	---	24,600	9,300	6,200	6,200
		30K	9K	6K	6K	---	28,000	8,000	6,000	6,000	---	---	29,200	8,800	5,900	5,900
		12K	12K	6K	6K	---	12,000	12,000	6,000	6,000	---	---	12,900	12,900	6,500	6,500
		18K	12K	6K	6K	---	18,000	12,000	6,000	6,000	---	---	18,900	12,600	6,300	6,300
		24K	12K	6K	6K	---	23,000	11,000	6,000	6,000	---	---	24,100	12,100	6,100	6,100
		30K	12K	6K	6K	---	27,000	11,000	5,000	5,000	---	---	28,200	11,300	5,700	5,700
		18K	18K	6K	6K	---	17,000	17,000	6,000	6,000	---	---	18,100	18,100	6,100	6,100
		24K	18K	6K	6K	---	22,000	16,000	5,000	5,000	---	---	22,600	16,900	5,700	5,700
		30K	18K	6K	6K	---	25,000	15,000	5,000	5,000	---	---	25,800	15,500	5,200	5,200
		24K	24K	6K	6K	---	20,000	20,000	5,000	5,000	---	---	20,700	20,700	5,200	5,200
		12K	9K	9K	6K	---	12,000	9,000	9,000	6,000	---	---	12,900	9,700	9,700	6,500
		18K	9K	9K	6K	---	18,000	9,000	9,000	6,000	---	---	18,900	9,500	9,500	6,300
		24K	9K	9K	6K	---	23,000	9,000	9,000	6,000	---	---	24,100	9,100	9,100	6,100
		30K	9K	9K	6K	---	27,000	8,000	8,000	5,000	---	---	28,200	8,500	8,500	5,700
		12K	12K	9K	6K	---	12,000	12,000	9,000	6,000	---	---	12,800	12,800	9,600	6,400
		18K	12K	9K	6K	---	18,000	12,000	9,000	6,000	---	---	18,500	12,300	9,300	6,200
		24K	12K	9K	6K	---	22,000	11,000	8,000	6,000	---	---	23,400	11,700	8,800	5,900
		30K	12K	9K	6K	---	26,000	10,000	8,000	5,000	---	---	27,100	10,900	8,200	5,500
		18K	18K	9K	6K	---	17,000	17,000	8,000	6,000	---	---	17,500	17,500	8,800	5,900
		24K	18K	9K	6K	---	21,000	16,000	8,000	5,000	---	---	21,700	16,300	8,200	5,500
		30K	18K	9K	6K	---	24,000	14,000	7,000	5,000	---	---	24,500	14,700	7,400	4,900
		12K	12K	12K	6K	---	12,000	12,000	12,000	6,000	---	---	12,600	12,600	12,600	6,300
		18K	12K	12K	6K	---	17,000	11,000	11,000	6,000	---	---	18,100	12,100	12,100	6,100
		24K	12K	12K	6K	---	22,000	11,000	11,000	5,000	---	---	22,600	11,300	11,300	5,700
		30K	12K	12K	6K	---	25,000	10,000	10,000	5,000	---	---	25,800	10,400	10,400	5,200
		18K	18K	12K	6K	---	16,000	16,000	11,000	5,000	---	---	16,900	16,900	11,300	5,700
		24K	18K	12K	6K	---	20,000	15,000	10,000	5,000	---	---	20,700	15,500	10,400	5,200
		9K	9K	9K	9K	---	9,000	9,000	9,000	9,000	---	---	9,700	9,700	9,700	9,700
		12K	9K	9K	9K	---	12,000	9,000	9,000	9,000	---	---	12,800	9,600	9,600	9,600
		18K	9K	9K	9K	---	18,000	9,000	9,000	9,000	---	---	18,500	9,300	9,300	9,300
		24K	9K	9K	9K	---	22,000	8,000	8,000	8,000	---	---	23,400	8,800	8,800	8,800
		30K	9K	9K	9K	---	26,000	8,000	8,000	8,000	---	---	27,100	8,200	8,200	8,200
12K	12K	9K	9K	---	12,000	12,000	9,000	9,000	---	---	12,600	12,600	9,500	9,500		
18K	12K	9K	9K	---	17,000	11,000	9,000	9,000	---	---	18,100	12,100	9,100	9,100		
24K	12K	9K	9K	---	22,000	11,000	8,000	8,000	---	---	22,600	11,300	8,500	8,500		

**MULTI-ZONE SYSTEM COMBINATIONS**

**NOTE - For multi-zone systems, the total capacity of all indoor units must be 66% to 133% of the outdoor unit capacity.**

Outdoor Unit Model No.	Number of Zones	Indoor Unit Capacity					Nominal Cooling Capacity at Rated System Capacity (Btuh)					Nominal Heating Capacity at Rated System Capacity (Btuh)					
		#1	#2	#3	#4	#5	#1	#2	#3	#4	#5	#1	#2	#3	#4	#5	
4DHP2S48M	4	30K	12K	9K	9K	---	25,000	10,000	7,000	7,000	---	25,800	10,400	7,800	7,800	---	
		18K	18K	9K	9K	---	16,000	16,000	8,000	8,000	---	16,900	16,900	8,500	8,500	---	
		24K	18K	9K	9K	---	20,000	15,000	7,000	7,000	---	20,700	15,500	7,800	7,800	---	
		12K	12K	12K	9K	---	12,000	12,000	12,000	9,000	---	12,300	12,300	12,300	9,300	---	
		18K	12K	12K	9K	---	17,000	11,000	11,000	8,000	---	17,500	11,700	11,700	8,800	---	
		24K	12K	12K	9K	---	21,000	10,000	10,000	8,000	---	21,700	10,900	10,900	8,200	---	
		30K	12K	12K	9K	---	24,000	9,000	9,000	7,000	---	24,500	9,800	9,800	7,400	---	
		18K	18K	12K	9K	---	16,000	16,000	10,000	8,000	---	16,300	16,300	10,900	8,200	---	
		24K	18K	12K	9K	---	19,000	14,000	9,000	7,000	---	19,600	14,700	9,800	7,400	---	
		12K	12K	12K	12K	---	11,000	11,000	11,000	11,000	---	12,100	12,100	12,100	12,100	---	
		18K	12K	12K	12K	---	16,000	11,000	11,000	11,000	---	16,900	11,300	11,300	11,300	---	
		24K	12K	12K	12K	---	20,000	10,000	10,000	10,000	---	20,700	10,400	10,400	10,400	---	
		18K	18K	12K	12K	---	15,000	15,000	10,000	10,000	---	15,500	15,500	10,400	10,400	---	
		5	9K	6K	6K	6K	6K	9,000	6,000	6,000	6,000	6,000	10,000	7,000	7,000	7,000	7,000
	12K		6K	6K	6K	6K	6K	12,000	6,000	6,000	6,000	6,000	13,000	6,000	6,000	6,000	6,000
	18K		6K	6K	6K	6K	6K	18,000	6,000	6,000	6,000	6,000	19,000	6,000	6,000	6,000	6,000
	24K		6K	6K	6K	6K	6K	24,000	6,000	6,000	6,000	6,000	25,000	6,000	6,000	6,000	6,000
	30K		6K	6K	6K	6K	6K	28,000	6,000	6,000	6,000	6,000	29,000	5,000	5,000	5,000	5,000
	9K		9K	6K	6K	6K	6K	9,000	9,000	6,000	6,000	6,000	10,000	10,000	6,000	6,000	6,000
	12K		9K	6K	6K	6K	6K	12,000	9,000	6,000	6,000	6,000	13,000	10,000	6,000	6,000	6,000
	18K		9K	6K	6K	6K	6K	18,000	9,000	6,000	6,000	6,000	19,000	9,000	6,000	6,000	6,000
	24K		9K	6K	6K	6K	6K	23,000	9,000	6,000	6,000	6,000	24,000	9,000	6,000	6,000	6,000
	30K		9K	6K	6K	6K	6K	27,000	8,000	5,000	5,000	5,000	28,000	8,000	5,000	5,000	5,000
	12K		12K	6K	6K	6K	6K	12,000	12,000	6,000	6,000	6,000	13,000	13,000	6,000	6,000	6,000
	18K		12K	6K	6K	6K	6K	18,000	12,000	6,000	6,000	6,000	18,000	12,000	6,000	6,000	6,000
	24K		12K	6K	6K	6K	6K	22,000	11,000	6,000	6,000	6,000	23,000	11,000	5,000	5,000	5,000
	30K		12K	6K	6K	6K	6K	26,000	10,000	5,000	5,000	5,000	27,000	10,000	5,000	5,000	5,000
	18K		18K	6K	6K	6K	6K	17,000	17,000	6,000	6,000	6,000	17,000	17,000	5,000	5,000	5,000
	24K		18K	6K	6K	6K	6K	21,000	16,000	5,000	5,000	5,000	21,000	16,000	5,000	5,000	5,000
	9K		9K	9K	6K	6K	6K	9,000	9,000	9,000	6,000	6,000	10,000	10,000	10,000	6,000	6,000
	12K		9K	9K	6K	6K	6K	12,000	9,000	9,000	6,000	6,000	13,000	9,000	9,000	6,000	6,000
	18K		9K	9K	6K	6K	6K	18,000	9,000	9,000	6,000	6,000	18,000	9,000	9,000	6,000	6,000
24K	9K		9K	6K	6K	6K	22,000	8,000	8,000	6,000	6,000	23,000	8,000	8,000	5,000	5,000	
30K	9K	9K	6K	6K	6K	26,000	8,000	8,000	5,000	5,000	27,000	8,000	8,000	5,000	5,000		
12K	12K	9K	6K	6K	6K	12,000	12,000	9,000	6,000	6,000	12,000	12,000	9,000	6,000	6,000		
18K	12K	9K	6K	6K	6K	17,000	12,000	9,000	6,000	6,000	18,000	12,000	9,000	6,000	6,000		
24K	12K	9K	6K	6K	6K	22,000	11,000	8,000	5,000	5,000	22,000	11,000	8,000	5,000	5,000		
30K	12K	9K	6K	6K	6K	24,000	10,000	7,000	5,000	5,000	26,000	10,000	7,000	5,000	5,000		
18K	18K	9K	6K	6K	6K	16,000	16,000	8,000	5,000	5,000	17,000	17,000	8,000	5,000	5,000		
24K	18K	9K	6K	6K	6K	20,000	15,000	7,000	5,000	5,000	21,000	15,000	7,000	5,000	5,000		
12K	12K	12K	6K	6K	6K	12,000	12,000	12,000	6,000	6,000	12,000	12,000	12,000	6,000	6,000		
18K	12K	12K	6K	6K	6K	17,000	11,000	11,000	6,000	6,000	17,000	11,000	11,000	5,000	5,000		
24K	12K	12K	6K	6K	6K	21,000	10,000	10,000	5,000	5,000	21,000	10,000	10,000	5,000	5,000		

**MULTI-ZONE SYSTEM COMBINATIONS**

**NOTE - For multi-zone systems, the total capacity of all indoor units must be 66% to 133% of the outdoor unit capacity.**

Outdoor Unit Model No.	Number of Zones	Indoor Unit Capacity					Nominal Cooling Capacity at Rated System Capacity (Btuh)					Nominal Heating Capacity at Rated System Capacity (Btuh)				
		#1	#2	#3	#4	#5	#1	#2	#3	#4	#5	#1	#2	#3	#4	#5
<b>4DHP2S48M</b>	5	18K	18K	12K	6K	6K	16,000	16,000	10,000	5,000	5,000	16,000	16,000	10,000	5,000	5,000
		9K	9K	9K	9K	6K	9,000	9,000	9,000	9,000	6,000	9,000	9,000	9,000	9,000	6,000
		12K	9K	9K	9K	6K	12,000	9,000	9,000	9,000	6,000	12,000	9,000	9,000	9,000	6,000
		18K	9K	9K	9K	6K	17,000	9,000	9,000	9,000	6,000	18,000	9,000	9,000	9,000	6,000
		24K	9K	9K	9K	6K	22,000	8,000	8,000	8,000	5,000	22,000	8,000	8,000	8,000	5,000
		30K	9K	9K	9K	6K	24,000	7,000	7,000	7,000	5,000	26,000	7,000	7,000	7,000	5,000
		12K	12K	9K	9K	6K	12,000	12,000	9,000	9,000	6,000	12,000	12,000	9,000	9,000	6,000
		18K	12K	9K	9K	6K	17,000	11,000	8,000	8,000	6,000	17,000	11,000	8,000	8,000	5,000
		24K	12K	9K	9K	6K	21,000	10,000	8,000	8,000	5,000	21,000	10,000	8,000	8,000	5,000
		18K	18K	9K	9K	6K	16,000	16,000	8,000	8,000	5,000	16,000	16,000	8,000	8,000	5,000
		12K	12K	12K	9K	6K	12,000	12,000	12,000	9,000	6,000	12,000	12,000	12,000	9,000	6,000
		18K	12K	12K	9K	6K	16,000	11,000	11,000	8,000	5,000	17,000	11,000	11,000	8,000	5,000
		24K	12K	12K	9K	6K	20,000	10,000	10,000	7,000	5,000	21,000	10,000	10,000	7,000	5,000
		12K	12K	12K	12K	6K	11,000	11,000	11,000	11,000	6,000	11,000	11,000	11,000	11,000	5,000
		18K	12K	12K	12K	6K	16,000	10,000	10,000	10,000	5,000	16,000	10,000	10,000	10,000	5,000
		9K	9K	9K	9K	9K	9,000	9,000	9,000	9,000	9,000	9500	9500	9500	9500	9500
		12K	9K	9K	9K	9K	12,000	9,000	9,000	9,000	9,000	12,000	9,000	9,000	9,000	9,000
		18K	9K	9K	9K	9K	17,000	8,000	8,000	8,000	8,000	17,000	8,000	8,000	8,000	8,000
		24K	9K	9K	9K	9K	21,000	8,000	8,000	8,000	8,000	21,000	8,000	8,000	8,000	8,000
		12K	12K	9K	9K	9K	12,000	12,000	9,000	9,000	9,000	12,000	12,000	9,000	9,000	9,000
		18K	12K	9K	9K	9K	16,000	11,000	8,000	8,000	8,000	17,000	11,000	8,000	8,000	8,000
		24K	12K	9K	9K	9K	20,000	10,000	7,000	7,000	7,000	21,000	10,000	7,000	7,000	7,000
		12K	12K	12K	9K	9K	11,000	11,000	11,000	8,000	8,000	11,000	11,000	11,000	8,000	8,000
		18K	12K	12K	9K	9K	16,000	10,000	10,000	8,000	8,000	16,000	10,000	10,000	8,000	8,000
12K	12K	12K	12K	9K	11,000	11,000	11,000	11,000	8,000	11,000	11,000	11,000	11,000	8,000		
12K	12K	12K	12K	12K	10,000	10,000	10,000	10,000	10,000	10,000	10,000	10,000	10,000	10,000		

**OUTDOOR TO INDOOR UNIT LINE CONNECTIONS - TWO ZONES****4DHP2S18M****Number of Zones and Outdoor Unit Connection Sizes****NOTE - Letter = Indoor Unit Zone Connection on Outdoor Unit**

Zone 1 (A)	Zone 2 (B)
1/4 in. liq + 3/8 in. gas	1/4 in. liq + 3/8 in. gas
06	06
09	06
12	06
09	09
12	06
12	12

## LEGEND:

CLEAR = No adaptors required.

GRAY = 3/8 x 1/2 in. gas pipe adaptor is required for line set connection to outdoor unit (furnished with outdoor unit).

**OUTDOOR TO INDOOR UNIT LINE CONNECTIONS - UP TO THREE ZONES****4DHP2S24M****Number of Zones and Outdoor Unit Connection Sizes****NOTE - Letter = Indoor Unit Zone Connection on Outdoor Unit**

Zone 1 (A)	Zone 2 (B)	Zone 3 (C)
1/4 in. liq + 3/8 in. gas	1/4 in. liq + 3/8 in. gas	1/4 in. liq + 3/8 in. gas
12	06	---
18	06	---
09	09	---
12	09	---
18	09	---
12	12	---
18	12	---
18	18	---
06	06	06
09	06	06
12	06	06
18	06	06
09	09	06
12	09	06
18	09	06
12	12	06
18	12	06
09	09	09
12	09	09
18	09	09
12	12	09
12	12	12

## LEGEND:

CLEAR = No adaptors required.

GRAY = 3/8 x 1/2 in. gas pipe adaptor is required for line set connection to outdoor unit (furnished with outdoor unit).

**OUTDOOR TO INDOOR UNIT LINE CONNECTIONS - UP TO THREE ZONES****4DHP2S30M****Number of Zones and Outdoor Unit Connection Sizes****NOTE - Letter = Indoor Unit Zone Connection on Outdoor Unit**

<b>Zone 1 (A)</b>	<b>Zone 2 (B)</b>	<b>Zone 3 (C)</b>
<b>1/4 in. liq + 3/8 in. gas</b>	<b>1/4 in. liq + 3/8 in. gas</b>	<b>1/4 in. liq + 3/8 in. gas</b>
12	06	---
18	06	---
09	09	---
12	09	---
18	09	---
12	12	---
18	12	---
18	18	---
06	06	06
09	06	06
12	06	06
18	06	06
09	09	06
12	09	06
18	09	06
12	12	06
18	12	06
09	09	09
12	09	09
18	09	09
12	12	09
12	12	12

**LEGEND:**

CLEAR = No adaptors required.

GRAY = 3/8 x 1/2 in. gas pipe adaptor is required for line set connection to outdoor unit (furnished with outdoor unit).

**OUTDOOR TO INDOOR UNIT LINE CONNECTIONS - UP TO FOUR ZONES****4DHP2S36M****Number of Zones and Outdoor Unit Connection Sizes****NOTE - Letter = Indoor Unit Zone Connection on Outdoor Unit**

Zone 1 (A)	Zone 2 (B)	Zone 3 (C)	Zone 4 (D)
1/4 in. liq + 1/2 in. gas	1/4 in. liq + 3/8 in. gas	1/4 in. liq + 3/8 in. gas	1/4 in. liq + 3/8 in. gas
18	06	---	---
24	06	---	---
18	09	---	---
24	09	---	---
12	12	---	---
18	12	---	---
24	12	---	---
18	18	---	---
24	18	---	---
24	<sup>1</sup> 24	---	---
12	06	06	---
18	06	06	---
24	06	06	---
12	09	06	---
18	09	06	---
24	09	06	---
12	12	06	---
18	12	06	---
24	12	06	---
18	18	06	---
24	18	06	---
09	09	09	---
12	09	09	---
18	09	09	---
24	09	09	---
12	12	09	---
18	12	09	---
24	12	09	---
18	18	09	---
12	12	12	---
18	12	12	---
24	12	12	---
18	18	12	---
06	06	06	06
09	06	06	06
12	06	06	06
18	06	06	06
24	06	06	06

**LEGEND:**

CLEAR = No adaptors required.

GRAY = 3/8 x 1/2 in. gas pipe adaptor is required for line set connection to outdoor unit (furnished with outdoor unit).

BLACK = 1/4 x 3/8 in. liquid pipe adaptor is required for line set connection to the 36 outdoor unit (furnished with outdoor unit).

1/2 x 5/8 in. gas pipe adaptor is required for line set connection to the 36 outdoor unit (furnished with outdoor unit).

<sup>1</sup> 1/4 x 3/8 in. liquid pipe adaptor is required for line set connection to the 36 outdoor unit (furnished with outdoor unit).

3/8 x 5/8 in. gas pipe adaptor is required for line set connection to the 36 outdoor unit (not furnished).



**OUTDOOR TO INDOOR UNIT LINE CONNECTIONS - UP TO FOUR ZONES****4DHP2S36M****Number of Zones and Outdoor Unit Connection Sizes****NOTE - Letter = Indoor Unit Zone Connection on Outdoor Unit**

<b>Zone 1 (A)</b>	<b>Zone 2 (B)</b>	<b>Zone 3 (C)</b>	<b>Zone 4 (D)</b>
<b>1/4 in. liq + 1/2 in. gas</b>	<b>1/4 in. liq + 3/8 in. gas</b>	<b>1/4 in. liq + 3/8 in. gas</b>	<b>1/4 in. liq + 3/8 in. gas</b>
09	09	06	06
12	09	06	06
18	09	06	06
24	09	06	06
12	12	06	06
18	12	06	06
24	12	06	06
09	09	09	06
12	09	09	06
18	09	09	06
24	09	09	06
12	12	09	06
18	12	09	06
12	12	12	06
18	12	12	06
09	09	09	09
12	09	09	09
18	09	09	09
12	12	09	09
18	12	09	09
12	12	12	09
12	12	12	12

**LEGEND:**

CLEAR = No adaptors required.

GRAY = 3/8 x 1/2 in. gas pipe adaptor is required for line set connection to outdoor unit (furnished with outdoor unit).

BLACK = 1/4 x 3/8 in. liquid pipe adaptor is required for line set connection to the 36 outdoor unit (furnished with outdoor unit).

1/2 x 5/8 in. gas pipe adaptor is required for line set connection to the 36 outdoor unit (furnished with outdoor unit).

<sup>1</sup> 1/4 x 3/8 in. liquid pipe adaptor is required for line set connection to the 36 outdoor unit (furnished with outdoor unit).

3/8 x 5/8 in. gas pipe adaptor is required for line set connection to the 36 outdoor unit (not furnished).

**OUTDOOR TO INDOOR UNIT LINE CONNECTIONS - UP TO FIVE ZONES**

4DHP2S48M

Number of Zones and Outdoor Unit Connection Sizes

NOTE - Letter = Indoor Unit Zone Connection on Outdoor Unit

Zone 1 (A)	Zone 2 (B)	Zone 3 (C)	Zone 4 (D)	Zone 5 (E)
1/4 in. liq + 1/2 in. gas	1/4 in. liq + 1/2 in. gas	1/4 in. liq + 3/8 in. gas	1/4 in. liq + 3/8 in. gas	1/4 in. liq + 3/8 in. gas
24	09	---	---	---
30	09	---	---	---
24	12	---	---	---
30	12	---	---	---
18	18	---	---	---
24	18	---	---	---
24	24	---	---	---
30	18	---	---	---
30	24	---	---	---
30	30	---	---	---
24	06	06	---	---
30	06	06	---	---
24	09	06	---	---
30	09	06	---	---
18	12	06	---	---
24	12	06	---	---
30	12	06	---	---
18	18	06	---	---
24	18	06	---	---
30	18	06	---	---
24	24	06	---	---
30	24	06	---	---
18	09	09	---	---
24	09	09	---	---
30	09	09	---	---
12	12	09	---	---
18	12	09	---	---
24	12	09	---	---
30	12	09	---	---
18	18	09	---	---
24	18	09	---	---
30	18	09	---	---
24	24	09	---	---
30	24	09	---	---
12	12	12	---	---
18	12	12	---	---
24	12	12	---	---
30	12	12	---	---
18	18	12	---	---
24	18	12	---	---

LEGEND:

CLEAR = No adaptors required.

GRAY = 3/8 x 1/2 in. gas pipe adaptor is required for line set connection to outdoor unit (furnished with outdoor unit).

BLACK = 1/4 x 3/8 in. liquid pipe adaptor is required for line set connection to the 48 outdoor unit (furnished with outdoor unit).

1/2 x 5/8 in. gas pipe adaptor is required for line set connection to the 48 outdoor unit (furnished with outdoor unit).

**OUTDOOR TO INDOOR UNIT LINE CONNECTIONS - UP TO FIVE ZONES**

4DHP2S48M

Number of Zones and Outdoor Unit Connection Sizes

NOTE - Letter = Indoor Unit Zone Connection on Outdoor Unit

Zone 1 (A)	Zone 2 (B)	Zone 3 (C)	Zone 4 (D)	Zone 5 (E)
1/4 in. liq + 1/2 in. gas	1/4 in. liq + 1/2 in. gas	1/4 in. liq + 3/8 in. gas	1/4 in. liq + 3/8 in. gas	1/4 in. liq + 3/8 in. gas
30	18	12	---	---
24	24	12	---	---
18	18	18	---	---
24	18	18	---	---
18	06	06	06	---
24	06	06	06	---
30	06	06	06	---
18	09	06	06	---
24	09	06	06	---
30	09	06	06	---
12	12	06	06	---
18	12	06	06	---
24	12	06	06	---
30	12	06	06	---
18	18	06	06	---
24	18	06	06	---
30	18	06	06	---
24	24	06	06	---
12	09	09	06	---
18	09	09	06	---
24	09	09	06	---
30	09	09	06	---
12	12	09	06	---
18	12	09	06	---
24	12	09	06	---
30	12	09	06	---
18	18	09	06	---
24	18	09	06	---
30	18	09	06	---
12	12	12	06	---
18	12	12	06	---
24	12	12	06	---
30	12	12	06	---
18	18	12	06	---
24	18	12	06	---
09	09	09	09	---
12	09	09	09	---
18	09	09	09	---
24	09	09	09	---
30	09	09	09	---

LEGEND:

CLEAR = No adaptors required.

GRAY = 3/8 x 1/2 in. gas pipe adaptor is required for line set connection to outdoor unit (furnished with outdoor unit).

BLACK = 1/4 x 3/8 in. liquid pipe adaptor is required for line set connection to the 48 outdoor unit (furnished with outdoor unit).

1/2 x 5/8 in. gas pipe adaptor is required for line set connection to the 48 outdoor unit (furnished with outdoor unit).

**OUTDOOR TO INDOOR UNIT LINE CONNECTIONS - UP TO FIVE ZONES**

4DHP2S48M

Number of Zones and Outdoor Unit Connection Sizes

NOTE - Letter = Indoor Unit Zone Connection on Outdoor Unit

Zone 1 (A)	Zone 2 (B)	Zone 3 (C)	Zone 4 (D)	Zone 5 (E)
1/4 in. liq + 1/2 in. gas	1/4 in. liq + 1/2 in. gas	1/4 in. liq + 3/8 in. gas	1/4 in. liq + 3/8 in. gas	1/4 in. liq + 3/8 in. gas
12	12	09	09	---
18	12	09	09	---
24	12	09	09	---
30	12	09	09	---
18	18	09	09	---
24	18	09	09	---
12	12	12	09	---
18	12	12	09	---
24	12	12	09	---
30	12	12	09	---
18	18	12	09	---
24	18	12	09	---
12	12	12	12	---
18	12	12	12	---
24	12	12	12	---
18	18	12	12	---
09	06	06	06	06
12	06	06	06	06
18	06	06	06	06
24	06	06	06	06
30	06	06	06	06
09	09	06	06	06
12	09	06	06	06
18	09	06	06	06
24	09	06	06	06
30	09	06	06	06
12	12	06	06	06
18	12	06	06	06
24	12	06	06	06
30	12	06	06	06
18	18	06	06	06
24	18	06	06	06
09	09	09	06	06
12	09	09	06	06
18	09	09	06	06
24	09	09	06	06
30	09	09	06	06
12	12	09	06	06
18	12	09	06	06
24	12	09	06	06

LEGEND:

CLEAR = No adaptors required.

GRAY = 3/8 x 1/2 in. gas pipe adaptor is required for line set connection to outdoor unit (furnished with outdoor unit).

BLACK = 1/4 x 3/8 in. liquid pipe adaptor is required for line set connection to the 48 outdoor unit (furnished with outdoor unit).

1/2 x 5/8 in. gas pipe adaptor is required for line set connection to the 48 outdoor unit (furnished with outdoor unit).

**OUTDOOR TO INDOOR UNIT LINE CONNECTIONS - UP TO FIVE ZONES**

**4DHP2S48M**

**Number of Zones and Outdoor Unit Connection Sizes**

**NOTE - Letter = Indoor Unit Zone Connection on Outdoor Unit**

Zone 1 (A)	Zone 2 (B)	Zone 3 (C)	Zone 4 (D)	Zone 5 (E)
1/4 in. liq + 1/2 in. gas	1/4 in. liq + 1/2 in. gas	1/4 in. liq + 3/8 in. gas	1/4 in. liq + 3/8 in. gas	1/4 in. liq + 3/8 in. gas
30	12	09	06	06
18	18	09	06	06
24	18	09	06	06
12	12	12	06	06
18	12	12	06	06
24	12	12	06	06
18	18	12	06	06
09	09	09	09	06
12	09	09	09	06
18	09	09	09	06
24	09	09	09	06
30	09	09	09	06
12	12	09	09	06
18	12	09	09	06
24	12	09	09	06
18	18	09	09	06
12	12	12	09	06
18	12	12	09	06
24	12	12	09	06
12	12	12	12	06
18	12	12	12	06
09	09	09	09	09
12	09	09	09	09
18	09	09	09	09
24	09	09	09	09
12	12	09	09	09
18	12	09	09	09
24	12	09	09	09
12	12	12	09	09
18	12	12	09	09
12	12	12	12	09
12	12	12	12	12

**LEGEND:**

CLEAR = No adaptors required.

GRAY = 3/8 x 1/2 in. gas pipe adaptor is required for line set connection to outdoor unit (furnished with outdoor unit).

BLACK = 1/4 x 3/8 in. liquid pipe adaptor is required for line set connection to the 48 outdoor unit (furnished with outdoor unit).

1/2 x 5/8 in. gas pipe adaptor is required for line set connection to the 48 outdoor unit (furnished with outdoor unit).

**COOLING CAPACITY****18**

Outdoor Temperature - °F (Dry Bulb)	Indoor Temperature - °F (Dry Bulb / Wet Bulb)							
	65°F / 54°F		70°F / 59°F		75°F / 63°F		80°F / 67°F	
	Total mBtuh	Sensible mBtuh	Total mBtuh	Sensible mBtuh	Total mBtuh	Sensible mBtuh	Total mBtuh	Sensible mBtuh
-13	20.93	13.77	22.17	14.50	23.36	15.20	24.80	16.04
-4	22.29	15.09	23.51	15.84	24.72	16.56	25.83	17.20
0	22.55	15.35	23.68	16.03	25.17	16.93	26.22	17.54
5	22.90	15.43	24.08	16.14	25.38	16.91	26.63	17.66
17	22.81	16.07	23.76	16.64	24.93	17.37	26.41	18.30
25	22.83	16.77	23.93	17.48	25.19	18.29	26.35	19.03
35	22.61	16.23	23.70	16.92	24.79	17.58	26.29	18.56
47	22.61	16.36	24.06	17.31	25.51	18.25	26.57	18.92
55	22.07	16.95	23.20	17.71	24.63	18.68	25.66	19.37
65	21.08	16.00	22.12	16.71	23.21	17.45	24.70	18.47
75	20.23	15.79	21.23	16.47	22.56	17.42	23.82	18.32
85	19.33	15.56	20.33	16.26	21.29	16.92	22.45	17.76
95	18.77	15.03	19.68	15.68	20.93	16.59	22.08	17.42
105	18.01	15.56	18.88	16.22	19.85	16.97	20.88	17.74
110	16.84	14.87	17.86	15.69	18.94	16.56	19.87	17.29
115	16.25	14.87	17.01	15.50	17.72	16.07	18.52	16.70
122	14.33	14.24	15.23	15.07	16.03	15.81	16.70	16.40

**HEATING CAPACITY****18**

Outdoor Temperature - °F (Dry Bulb)	Indoor Temperature - °F (Dry Bulb)			
	60°F	65°F	70°F	75°F
	Total mBtuh	Total mBtuh	Total mBtuh	Total mBtuh
-13	10.12	9.84	9.53	9.17
-4	11.15	10.87	10.59	10.15
0	11.76	11.39	11.06	10.56
5	12.18	11.86	11.51	11.02
17	15.79	15.39	14.98	14.35
20	16.27	15.83	15.39	14.80
25	16.65	16.23	15.77	15.08
32	17.02	16.60	16.13	15.41
35	17.56	17.06	16.52	15.91
40	21.86	21.16	20.54	19.72
47	25.87	25.02	24.41	23.46
50	26.41	25.77	24.99	23.99
57	27.09	26.35	25.63	24.48

**COOLING CAPACITY****24**

Outdoor Temperature - °F (Dry Bulb)	Indoor Temperature - °F (Dry Bulb / Wet Bulb)							
	65°F / 54°F		70°F / 59°F		75°F / 63°F		80°F / 67°F	
	Total mBtuh	Sensible mBtuh	Total mBtuh	Sensible mBtuh	Total mBtuh	Sensible mBtuh	Total mBtuh	Sensible mBtuh
-13	24.22	15.54	25.69	16.39	26.76	16.97	27.87	17.59
-4	25.74	16.54	26.87	17.15	28.11	17.84	29.65	18.71
0	26.25	18.05	27.49	18.81	28.78	19.59	30.36	20.56
5	26.82	18.89	28.02	19.63	29.81	20.76	31.21	21.60
17	28.08	19.56	29.46	20.43	30.95	21.32	32.61	22.34
25	28.24	20.49	29.48	21.27	30.93	22.19	32.87	23.47
35	28.85	20.78	30.12	21.58	31.50	22.44	33.16	23.48
47	30.83	22.41	32.15	23.22	33.63	24.14	35.73	25.51
55	30.65	23.36	32.19	24.39	33.78	25.47	35.82	26.87
65	30.69	23.50	32.65	24.89	34.33	26.05	35.91	27.11
75	30.59	23.83	32.55	25.23	33.97	26.16	35.99	27.57
85	29.36	22.77	30.84	23.80	32.53	24.94	33.96	25.88
95	27.22	22.00	28.92	23.26	30.35	24.29	32.12	25.57
105	24.18	20.32	25.66	21.44	27.04	22.46	28.26	23.34
110	20.35	18.01	21.46	18.89	22.38	19.59	23.63	20.59
115	18.87	17.97	19.92	18.89	20.93	19.74	21.98	19.14
122	17.23	17.16	18.02	17.88	18.81	18.59	19.78	18.82

**HEATING CAPACITY****24**

Outdoor Temperature - °F (Dry Bulb)	Indoor Temperature - °F (Dry Bulb)			
	60°F	65°F	70°F	75°F
	Total mBtuh	Total mBtuh	Total mBtuh	Total mBtuh
-13	12.94	12.58	12.26	11.72
-4	14.54	14.10	13.62	13.08
0	15.03	14.66	14.22	13.61
5	15.92	15.38	14.86	14.27
17	17.65	17.06	16.49	15.92
20	18.88	18.42	17.89	17.12
25	20.51	20.01	19.36	18.52
32	21.95	21.42	20.87	19.93
35	23.71	23.13	22.48	21.47
40	25.50	24.71	24.01	23.08
47	30.74	29.73	28.72	27.49
50	36.07	35.05	33.93	32.51
57	36.39	35.40	34.20	32.94
	36.68	35.54	34.44	33.03

**COOLING CAPACITY****30**

Outdoor Temperature - °F (Dry Bulb)	Indoor Temperature - °F (Dry Bulb / Wet Bulb)							
	65°F / 54°F		70°F / 59°F		75°F / 63°F		80°F / 67°F	
	Total mBtuh	Sensible mBtuh	Total mBtuh	Sensible mBtuh	Total mBtuh	Sensible mBtuh	Total mBtuh	Sensible mBtuh
-13	28.28	18.04	29.99	19.03	31.41	19.81	32.85	20.60
-4	29.52	19.95	30.75	20.64	32.24	21.54	34.22	22.72
0	29.96	19.63	31.47	20.50	33.34	21.60	34.80	22.44
5	29.90	21.13	31.37	22.04	33.34	23.28	35.28	24.48
17	31.09	21.79	32.97	22.99	34.45	23.91	36.19	25.00
25	31.78	22.52	33.56	23.65	35.03	24.56	36.76	25.62
35	32.05	23.43	33.85	24.61	35.67	25.80	37.42	26.91
47	31.93	23.61	33.65	24.75	35.42	25.92	37.05	26.97
55	31.60	24.25	33.12	25.29	35.24	26.77	36.86	27.86
65	31.34	24.10	33.27	25.45	34.80	26.46	36.67	27.72
75	30.92	24.81	32.68	26.07	34.30	27.19	36.48	28.79
85	27.83	21.86	29.48	23.02	31.26	24.28	33.26	25.68
95	26.76	22.22	27.88	23.04	29.07	23.91	30.44	24.90
105	25.44	21.26	26.75	22.22	27.89	23.03	29.05	23.88
110	23.64	21.00	24.93	22.02	26.16	22.99	27.39	23.94
115	22.21	20.44	23.14	21.20	24.28	22.11	25.56	23.15
122	20.19	20.20	21.06	20.98	22.26	22.10	23.33	23.05

**HEATING CAPACITY****30**

Outdoor Temperature - °F (Dry Bulb)	Indoor Temperature - °F (Dry Bulb)			
	60°F	65°F	70°F	75°F
	Total mBtuh	Total mBtuh	Total mBtuh	Total mBtuh
-13	13.17	12.76	12.45	11.97
-4	14.71	14.25	13.83	13.28
0	15.35	14.87	14.50	13.89
5	16.02	15.56	15.04	14.50
17	19.34	18.80	18.23	17.47
20	21.01	20.32	19.79	18.98
25	22.70	21.98	21.30	20.51
32	24.28	23.55	22.77	21.98
35	25.78	25.03	24.21	23.31
40	31.63	30.83	29.90	28.85
47	36.77	35.73	34.56	33.07
50	37.50	36.27	35.39	33.79
57	38.38	37.41	36.28	34.72



**COOLING CAPACITY****36**

Outdoor Temperature - °F (Dry Bulb)	Indoor Temperature - °F (Dry Bulb / Wet Bulb)							
	65°F / 54°F		70°F / 59°F		75°F / 63°F		80°F / 67°F	
	Total mBtuh	Sensible mBtuh	Total mBtuh	Sensible mBtuh	Total mBtuh	Sensible mBtuh	Total mBtuh	Sensible mBtuh
-13	33.65	22.23	35.72	23.46	37.49	24.48	39.42	25.62
-4	35.02	22.55	37.09	23.77	38.80	24.71	41.06	25.99
0	36.12	23.94	37.78	24.92	39.90	26.19	41.73	27.25
5	36.44	25.34	38.36	26.51	39.96	27.47	42.33	28.95
17	38.32	27.39	40.63	28.90	42.59	30.14	44.55	31.37
25	39.65	29.35	42.00	30.91	44.49	32.58	46.79	34.06
35	42.03	30.62	44.57	32.30	46.77	33.71	48.77	34.96
47	41.87	30.24	44.08	31.69	46.20	33.01	48.63	34.53
55	41.94	32.71	44.15	34.22	46.52	35.87	48.71	37.31
65	41.35	32.21	43.30	33.51	46.01	35.41	48.80	37.38
75	41.59	32.56	43.78	34.11	46.23	35.80	48.87	37.63
85	38.94	30.76	40.65	31.97	42.56	33.31	45.09	35.08
95	35.10	29.10	36.79	30.33	38.32	31.39	40.56	33.05
105	32.82	28.27	34.91	29.89	36.41	31.00	38.69	32.77
110	31.16	28.49	32.87	29.89	34.64	31.33	36.50	32.81
115	29.51	27.29	30.83	28.35	32.36	29.59	33.70	30.67
122	25.82	25.68	27.15	26.90	28.55	28.18	29.77	29.27

**HEATING CAPACITY****36**

Outdoor Temperature - °F (Dry Bulb)	Indoor Temperature - °F (Dry Bulb)			
	60°F	65°F	70°F	75°F
	Total mBtuh	Total mBtuh	Total mBtuh	Total mBtuh
-13	20.48	19.86	19.36	18.61
-4	22.78	22.20	21.51	20.69
0	23.94	23.15	22.46	21.58
5	24.83	24.11	23.38	22.54
17	30.28	29.37	28.51	27.23
20	31.28	30.52	29.57	28.36
25	32.30	31.36	30.60	29.52
32	33.64	32.50	31.59	30.32
35	34.59	33.55	32.64	31.46
40	40.83	39.52	38.34	36.73
47	47.21	46.06	44.63	42.98
50	48.24	47.06	45.83	43.81
57	49.48	48.08	46.86	45.08

**COOLING CAPACITY****48**

Outdoor Temperature - °F (Dry Bulb)	Indoor Temperature - °F (Dry Bulb / Wet Bulb)							
	65°F / 54°F		70°F / 59°F		75°F / 63°F		80°F / 67°F	
	Total mBtuh	Sensible mBtuh	Total mBtuh	Sensible mBtuh	Total mBtuh	Sensible mBtuh	Total mBtuh	Sensible mBtuh
-13	44.92	28.68	47.04	29.89	49.77	31.48	52.89	33.27
-4	46.94	30.47	49.83	32.14	52.45	33.64	55.10	35.15
0	49.02	33.50	51.11	34.74	53.24	35.97	55.93	37.58
5	48.34	32.54	50.51	33.84	53.68	35.76	56.80	37.66
17	49.46	34.57	52.45	36.49	54.98	38.01	57.27	39.34
25	50.18	36.71	52.54	38.23	54.84	39.68	57.19	41.18
35	48.00	35.91	51.01	37.98	54.04	40.04	57.12	42.10
47	50.75	37.34	53.82	39.37	56.24	40.93	59.14	42.82
55	49.84	37.37	52.80	39.35	55.58	41.21	58.26	42.94
65	49.33	38.18	51.76	39.87	55.00	42.17	57.30	43.72
75	48.35	38.18	51.21	40.24	53.46	41.74	56.33	43.77
85	45.50	36.97	47.40	38.33	50.05	40.27	52.97	42.37
95	44.48	35.59	46.62	37.07	48.66	38.48	50.90	40.01
105	40.96	35.00	43.39	36.91	45.29	38.28	48.13	40.43
110	39.11	35.15	41.21	36.83	43.71	38.86	45.81	40.50
115	36.59	34.03	38.11	35.27	39.87	36.70	42.23	38.64
122	32.29	32.09	34.32	33.99	36.12	35.62	37.67	36.99

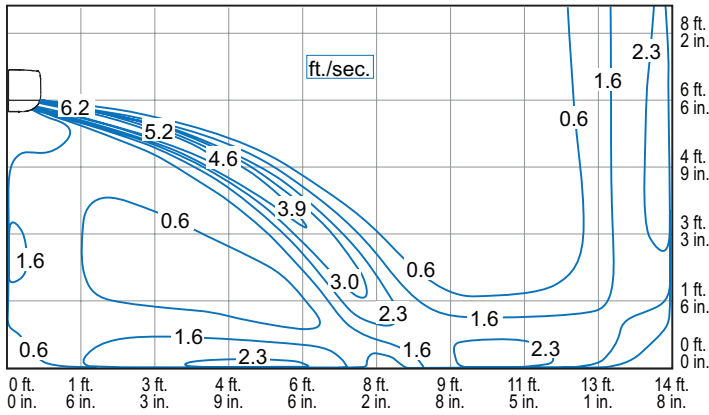
**HEATING CAPACITY****48**

Outdoor Temperature - °F (Dry Bulb)	Indoor Temperature - °F (Dry Bulb)			
	60°F	65°F	70°F	75°F
	Total mBtuh	Total mBtuh	Total mBtuh	Total mBtuh
-13	24.10	23.28	22.67	21.81
-4	26.70	25.87	25.19	24.15
0	28.06	27.11	26.29	25.32
5	28.99	28.20	27.38	26.26
17	35.95	34.83	33.88	32.43
20	36.70	35.77	34.86	33.57
25	37.78	36.68	35.78	34.39
32	38.99	37.78	36.68	35.03
35	39.62	38.58	37.60	36.14
40	48.29	47.11	45.60	43.83
47	56.10	54.52	53.14	50.75
50	58.23	56.37	54.47	52.02
57	59.13	57.69	55.80	53.51

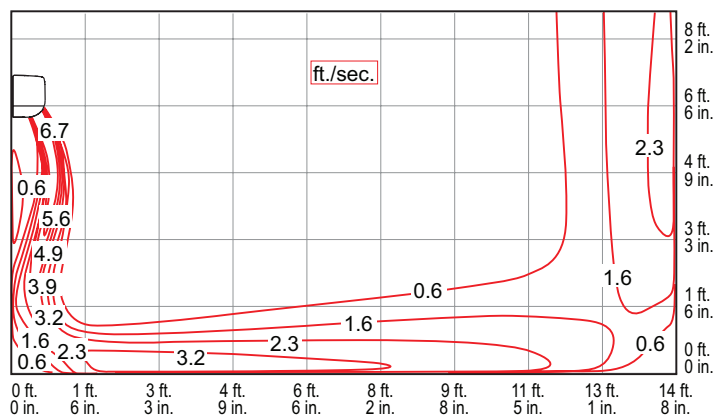
AIR THROW DATA

WALL-MOUNTED INDOOR UNITS

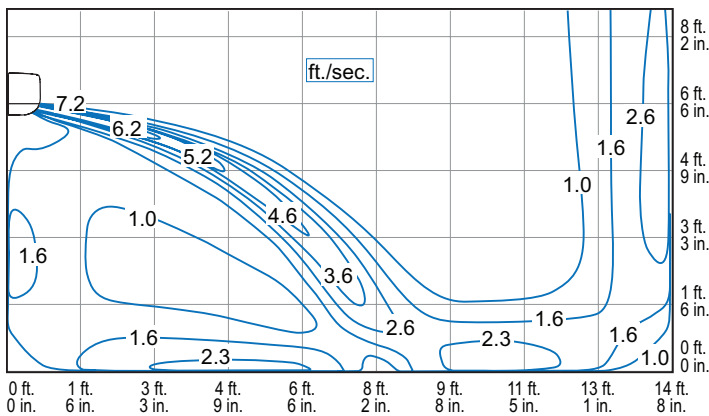
DWM206S4 - COOLING



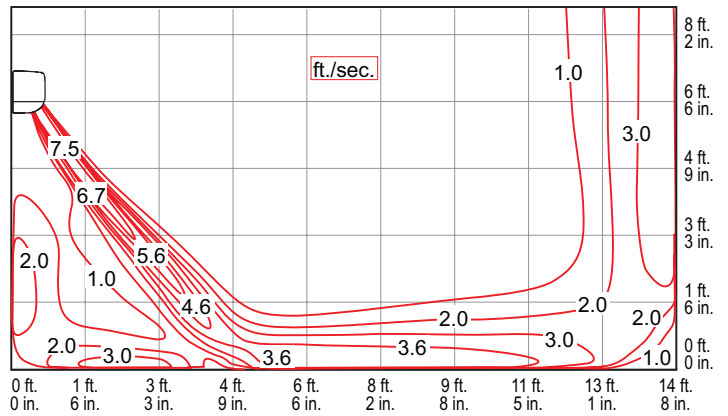
DWM206S4 - HEATING



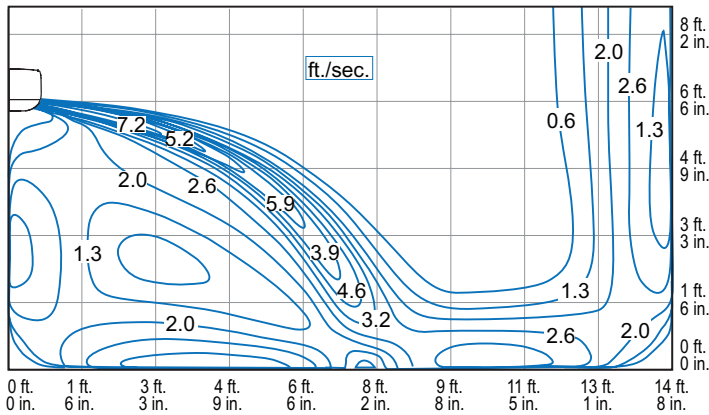
DWM209S4 - COOLING



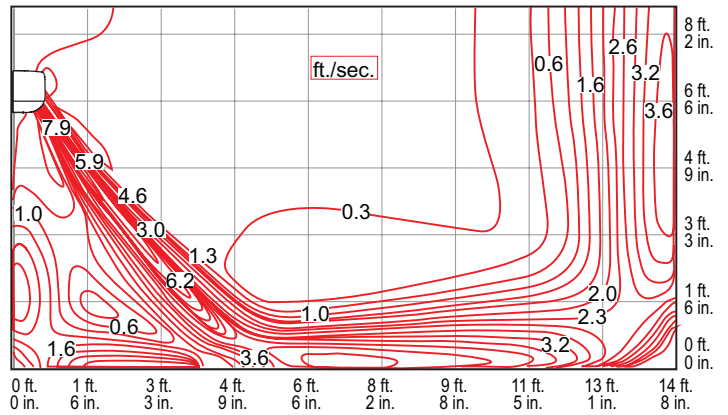
DWM209S4 - HEATING



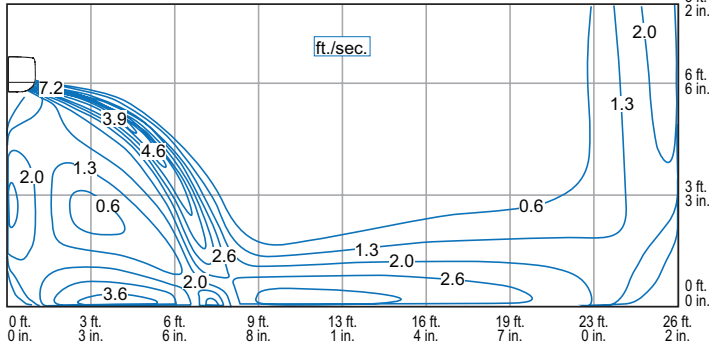
DWM212S4 - COOLING



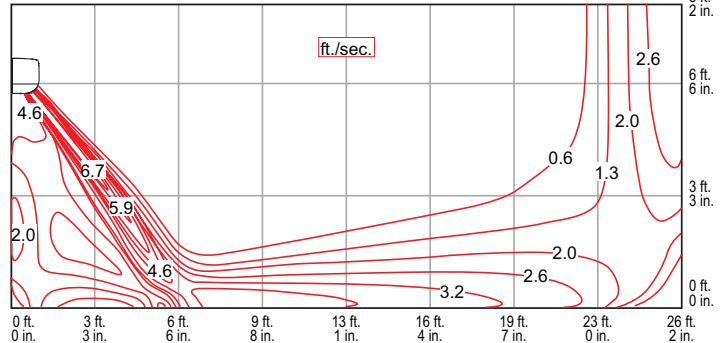
DWM212S4 - HEATING



DWM218S4 - COOLING



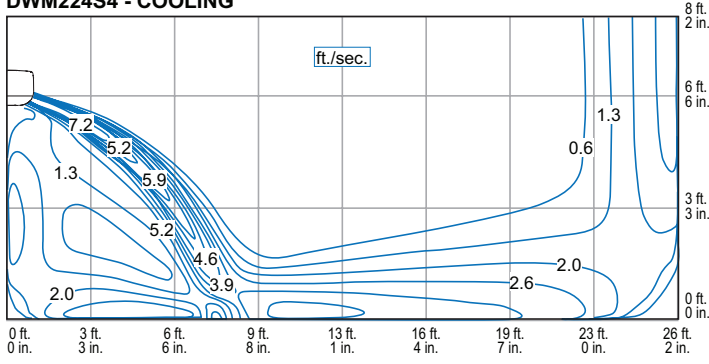
DWM218S4 - HEATING



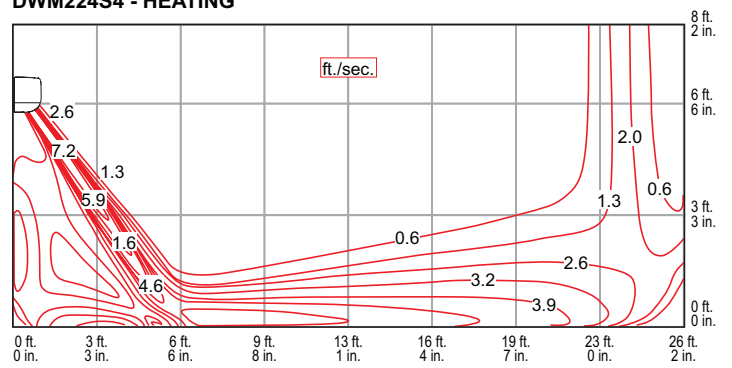
AIR THROW DATA

WALL-MOUNTED INDOOR UNITS

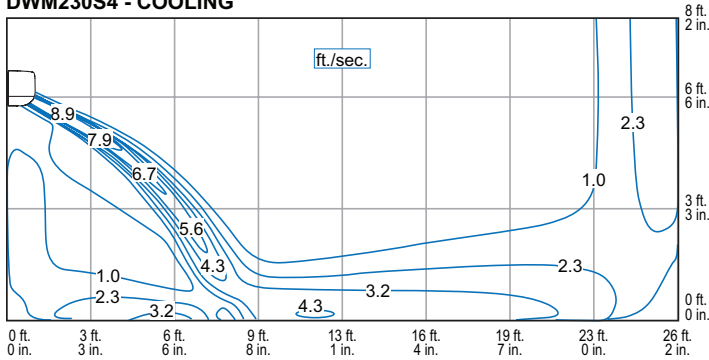
DWM224S4 - COOLING



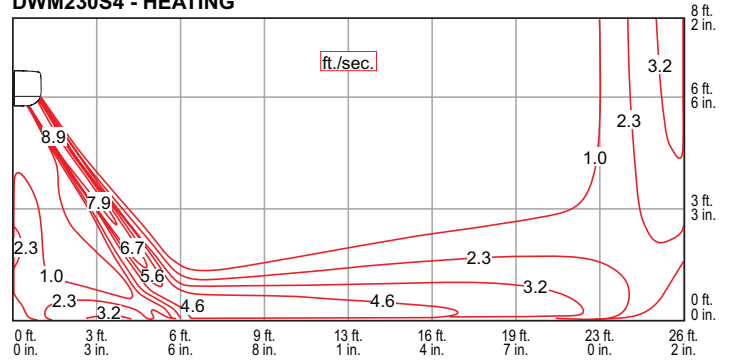
DWM224S4 - HEATING



DWM230S4 - COOLING



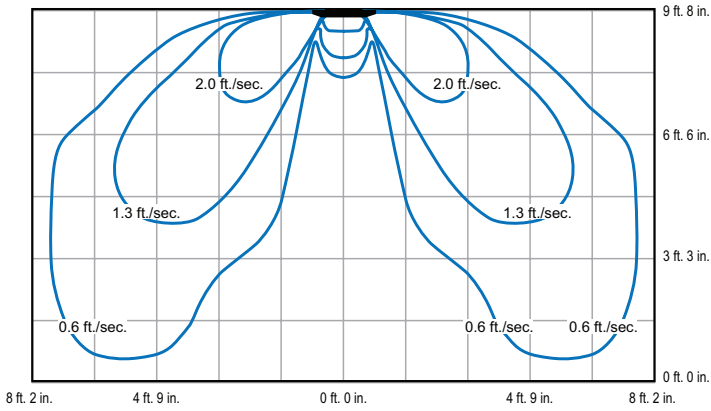
DWM230S4 - HEATING



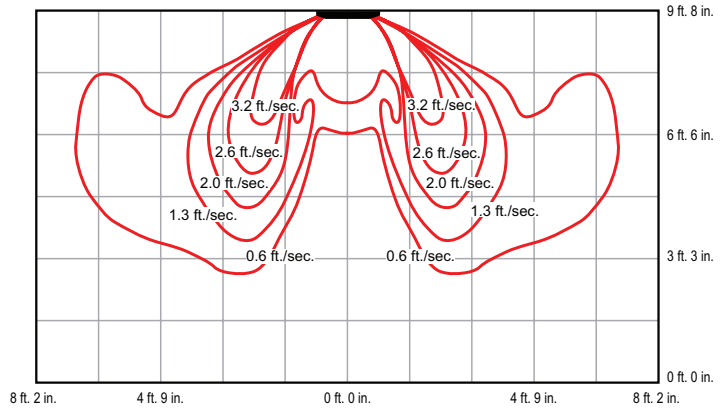
AIR THROW DATA

CASSETTE INDOOR UNITS

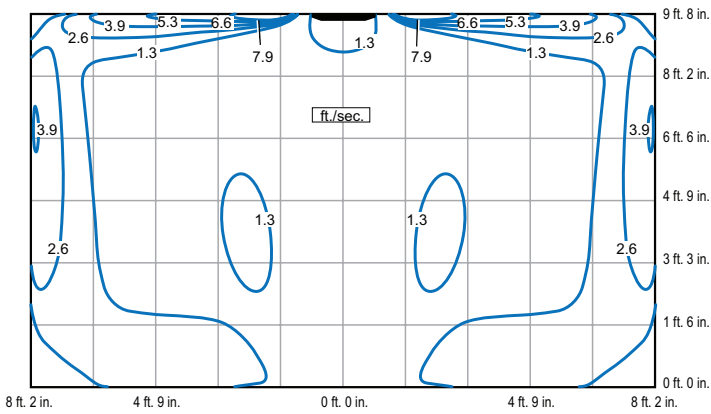
D22C109S4 AND D22C112S4 - COOLING



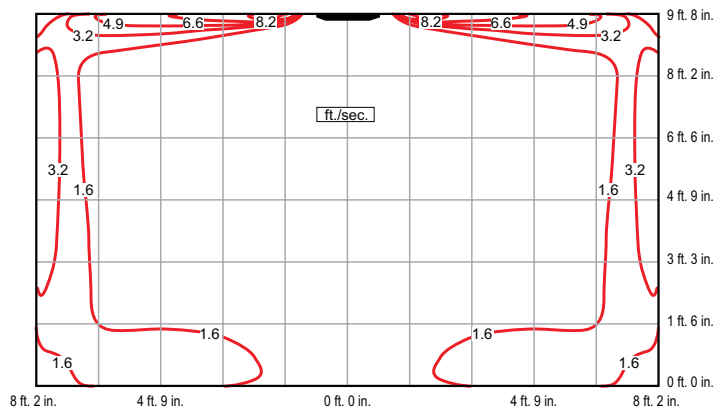
D22C109S4 AND D22C112S4 - HEATING



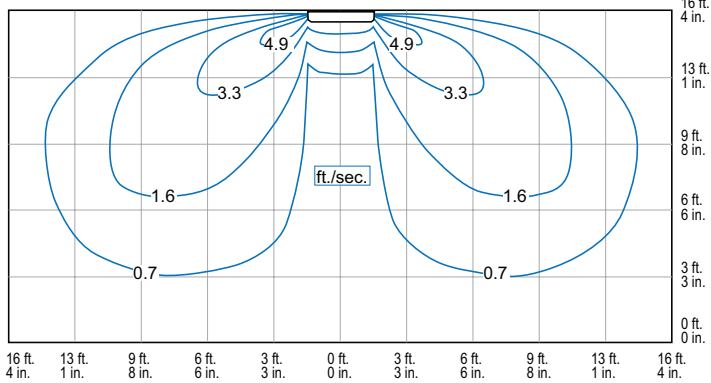
D22C118S4 - COOLING



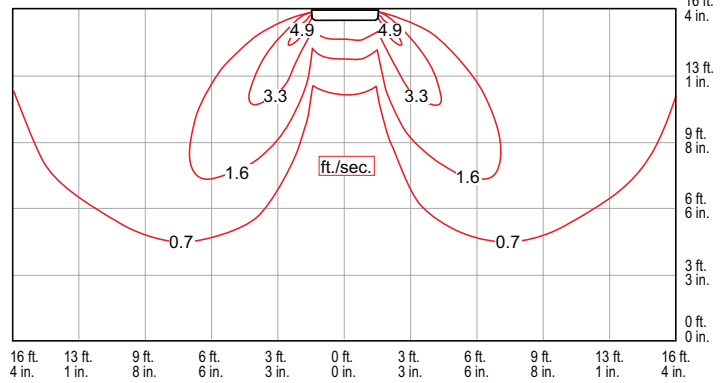
D22C118S4 - HEATING



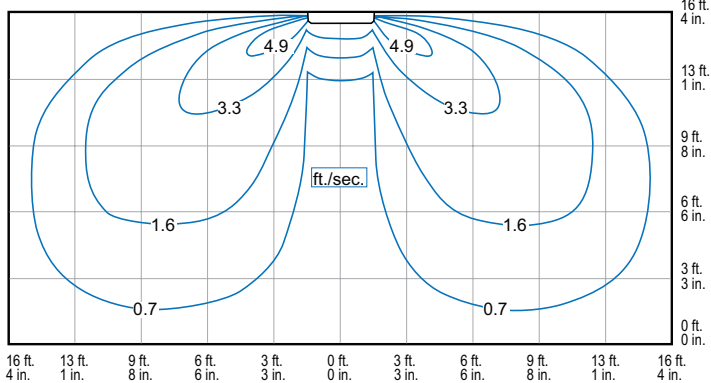
D33C224S4 - COOLING



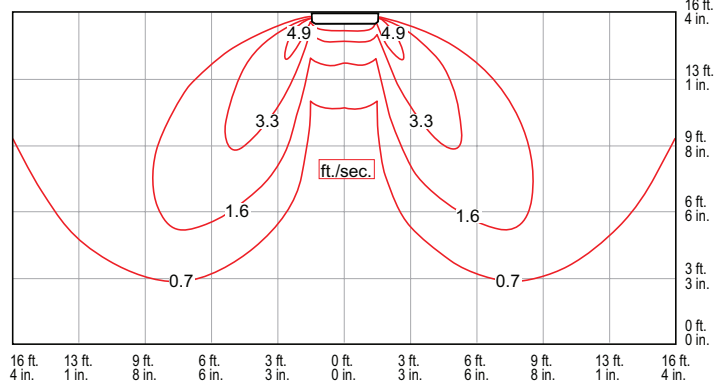
D33C224S4 - HEATING



D33C236S4 - COOLING



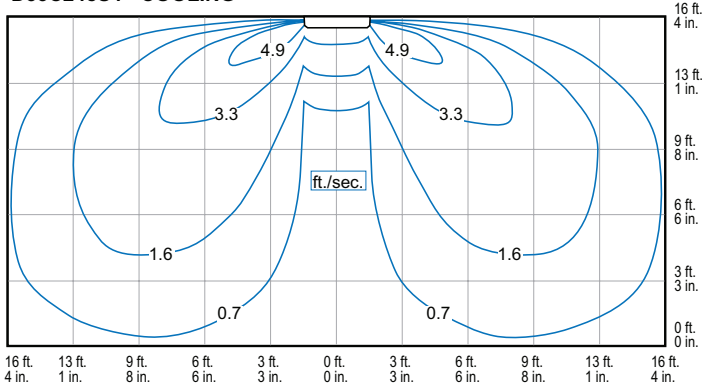
D33C236S4 - HEATING



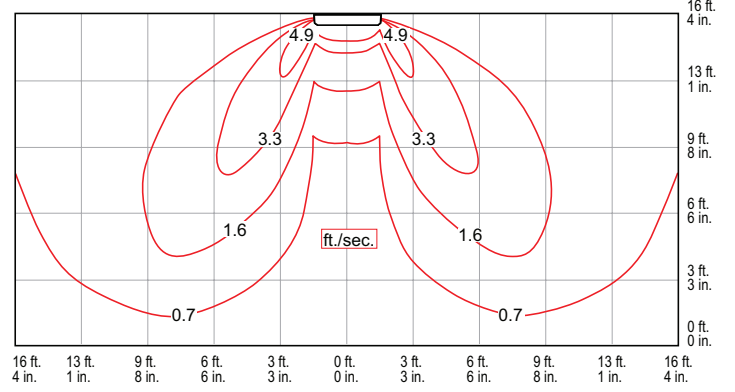
AIR THROW DATA

CASSETTE INDOOR UNITS

D33C248S4 - COOLING



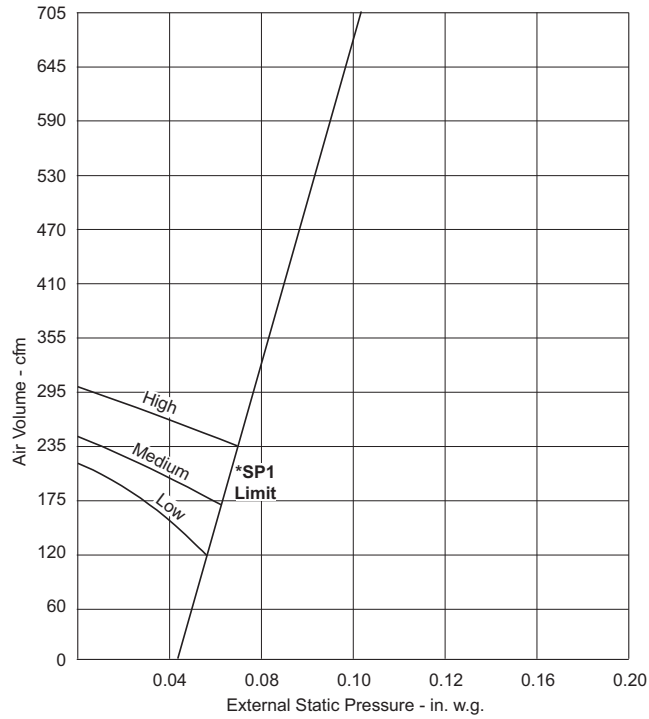
D33C248S4 - HEATING



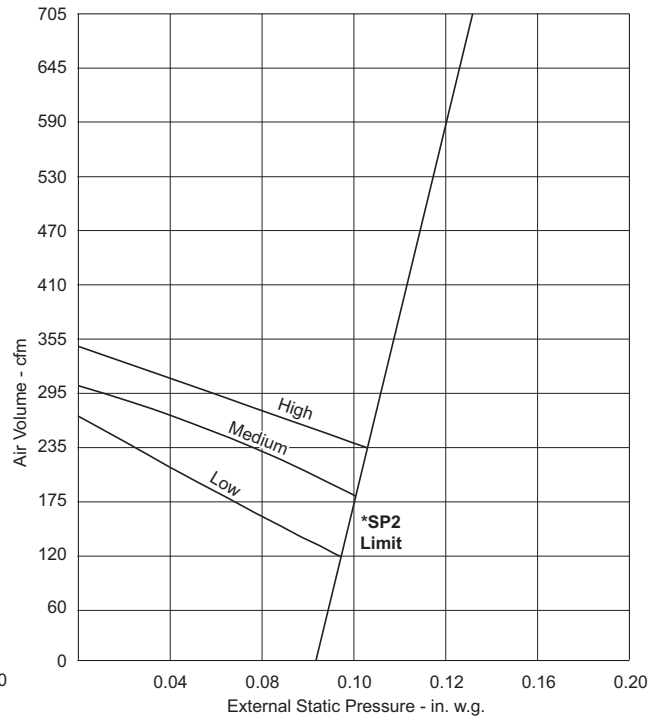
**BLOWER DATA**

**MEDIUM STATIC DUCTED INDOOR UNITS**

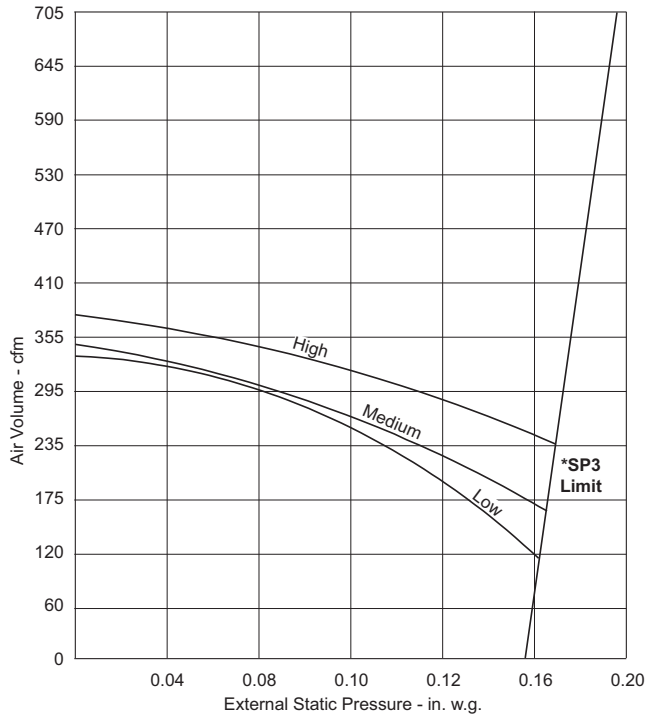
**DMD209S4**



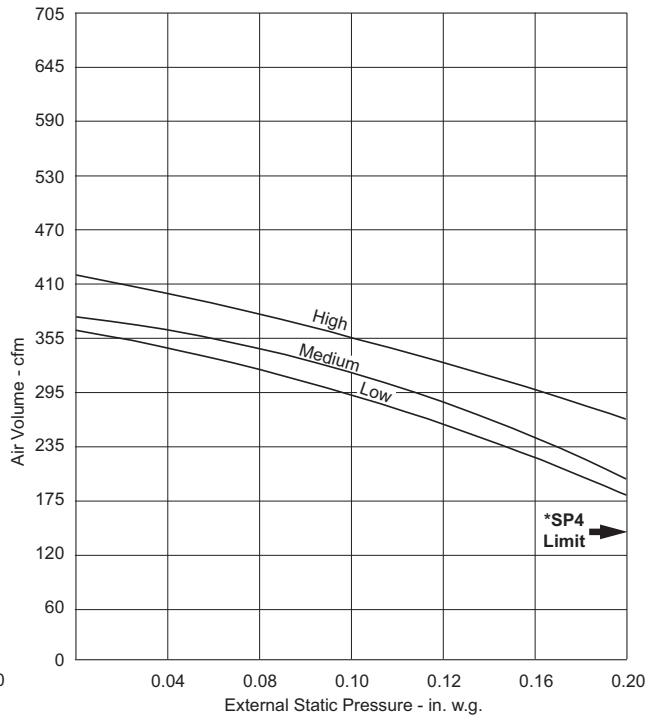
\*SP1 Limit airflow rate setting on the controller.



\*SP2 Limit airflow rate setting on the controller.



\*SP3 Limit airflow rate setting on the controller.

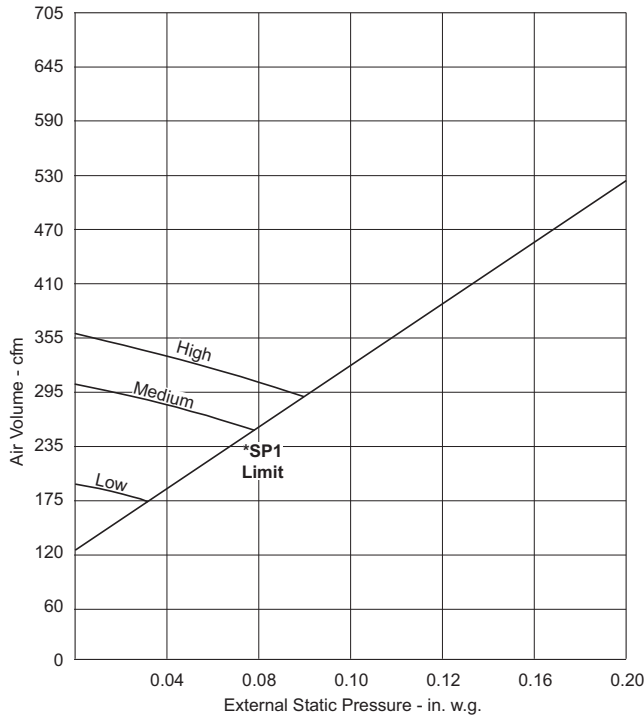


\*SP4 Limit airflow rate setting on the controller.

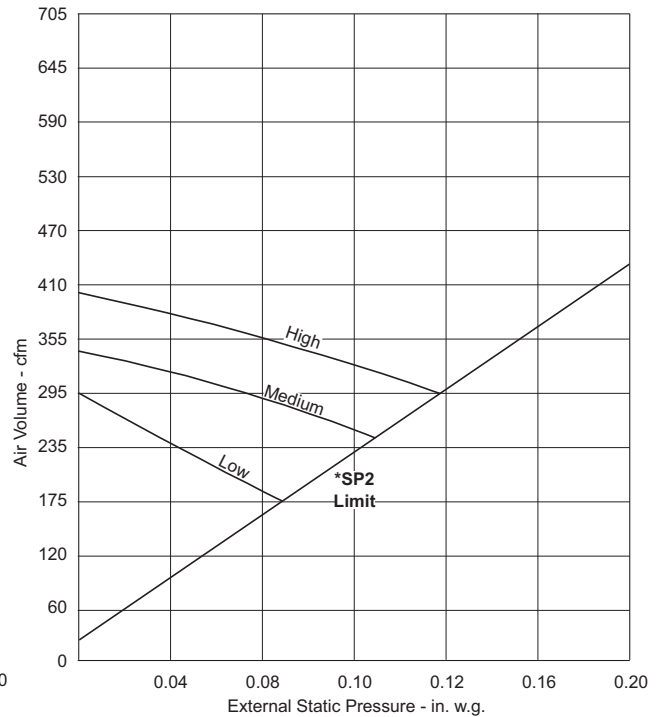
**BLOWER DATA**

**MEDIUM STATIC DUCTED INDOOR UNITS**

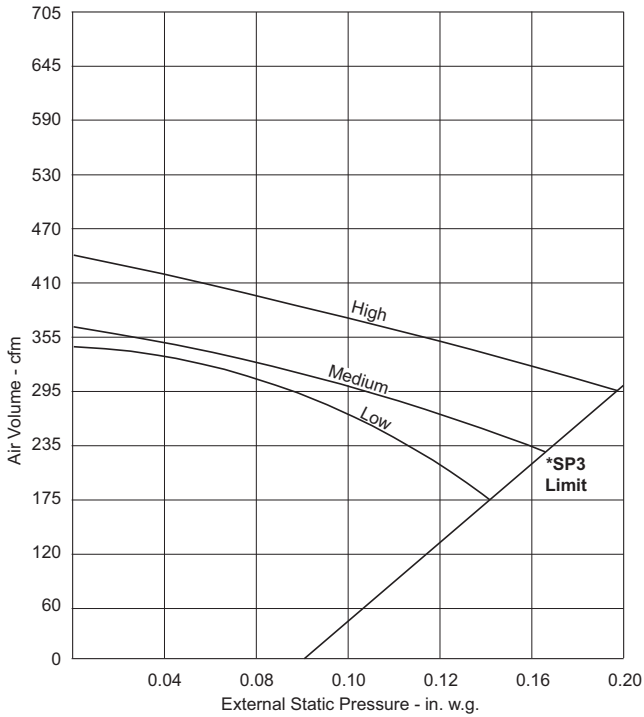
**DMD212S4**



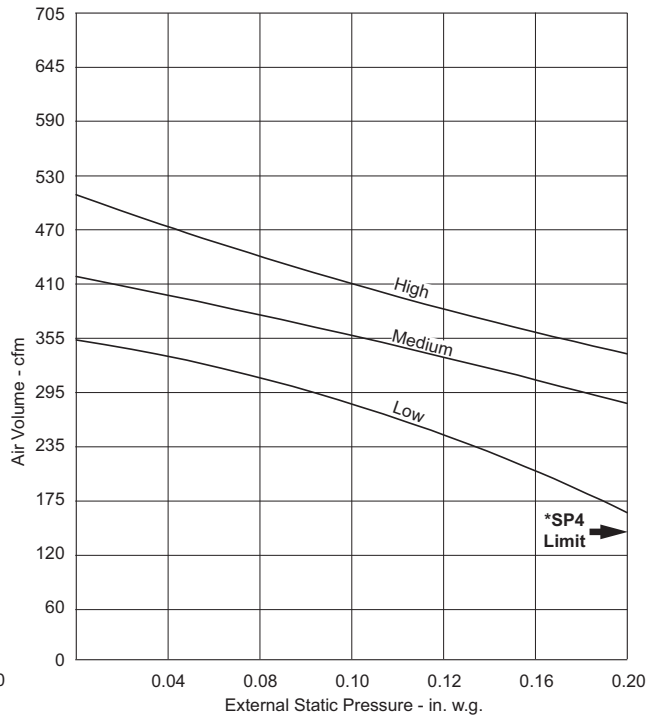
\*SP1 Limit airflow rate setting on the controller.



\*SP2 Limit airflow rate setting on the controller.



\*SP3 Limit airflow rate setting on the controller.



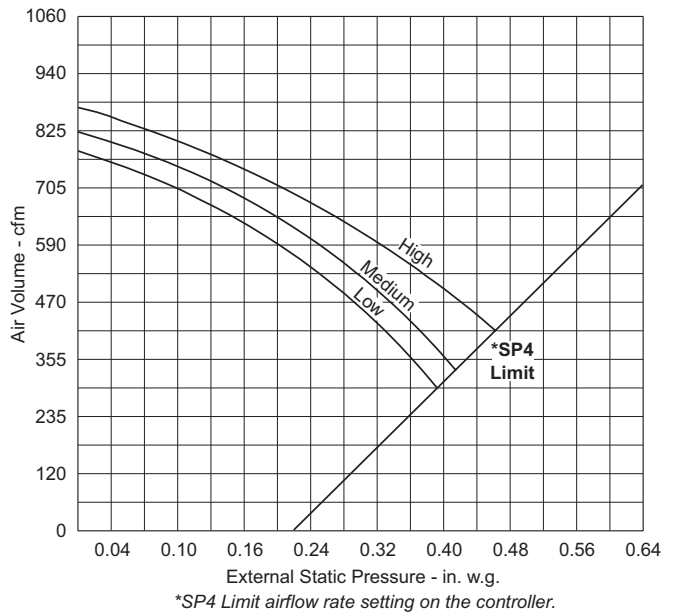
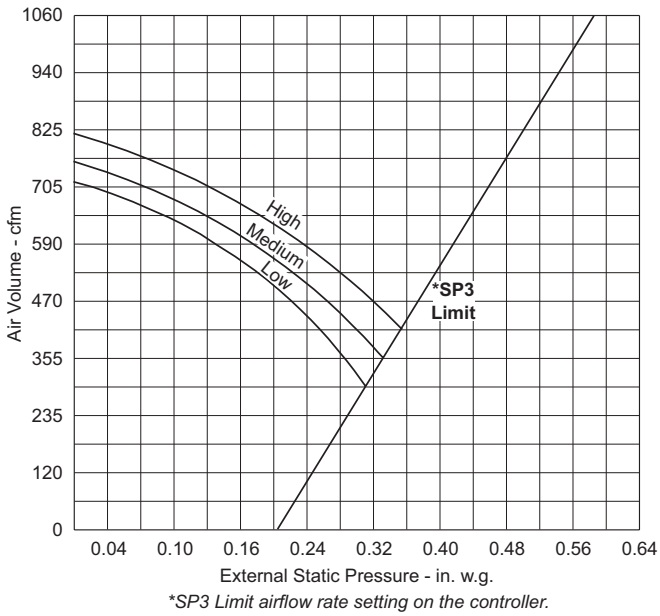
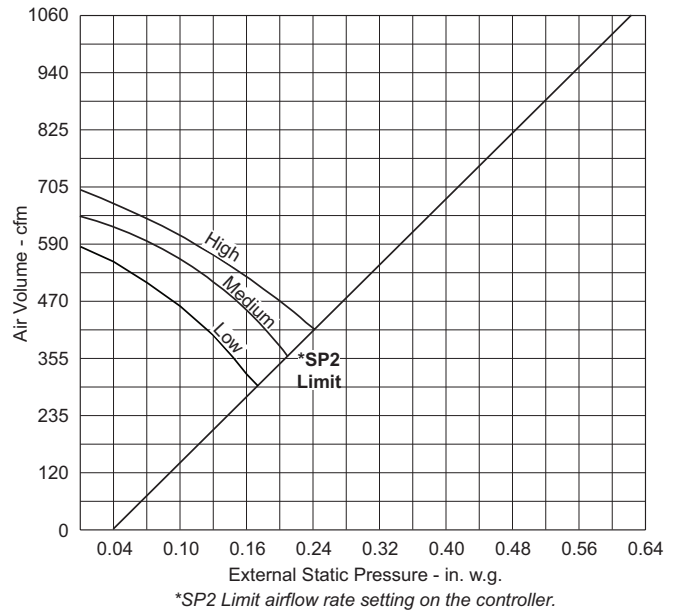
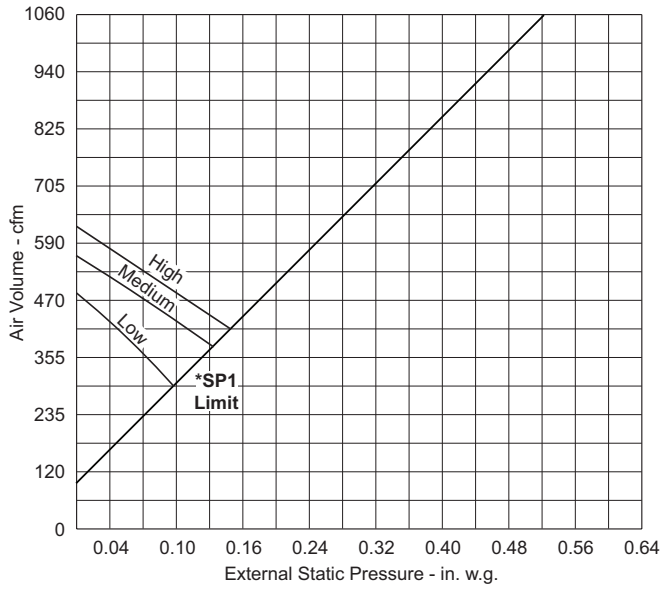
\*SP4 Limit airflow rate setting on the controller.



**BLOWER DATA**

**MEDIUM STATIC DUCTED INDOOR UNITS**

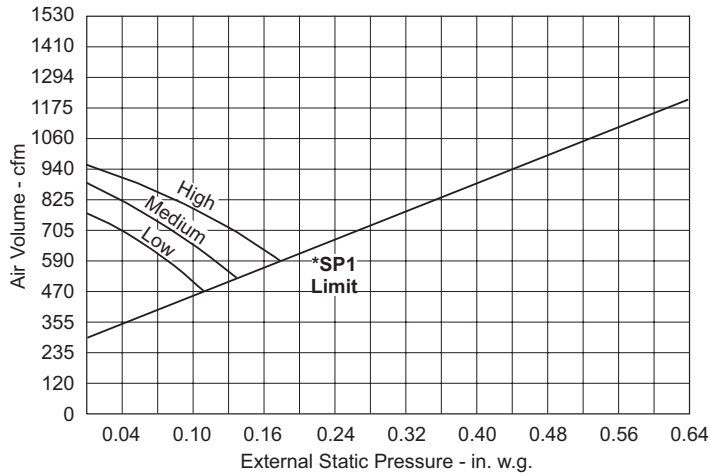
**DMD218S4**



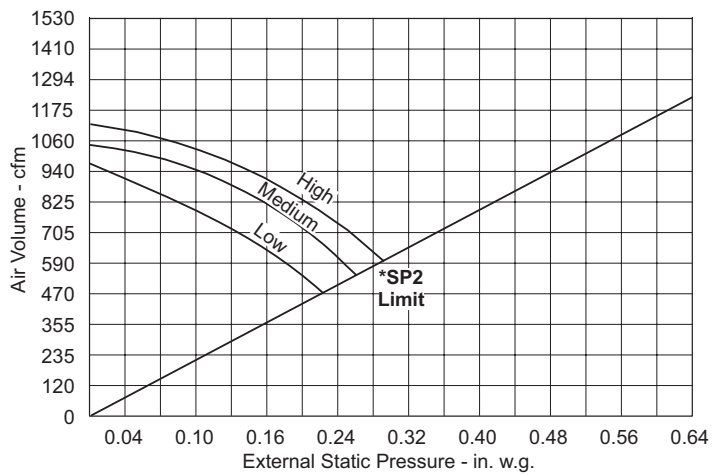
**BLOWER DATA**

**MEDIUM STATIC DUCTED INDOOR UNITS**

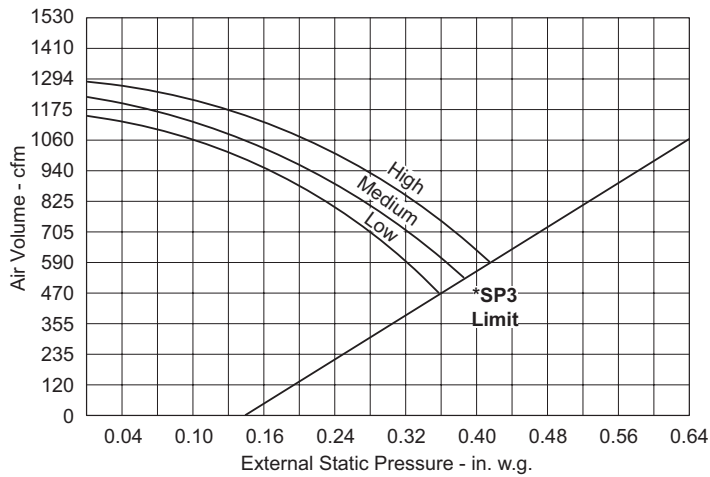
**DMD224S4**



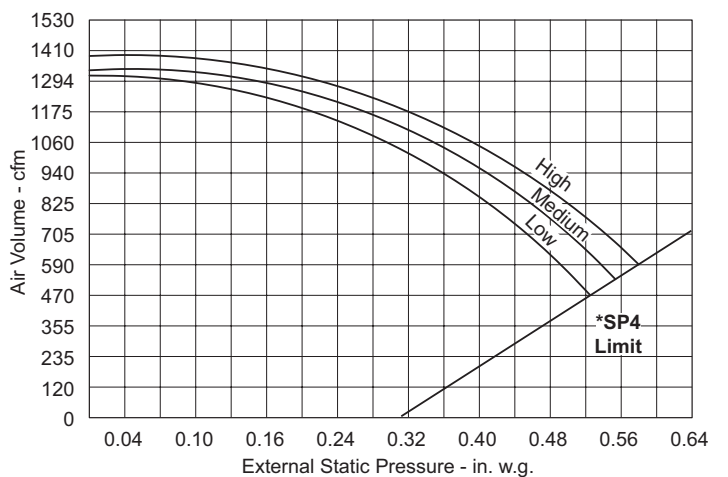
\*SP1 Limit airflow rate setting on the controller.



\*SP2 Limit airflow rate setting on the controller.



\*SP3 Limit airflow rate setting on the controller.

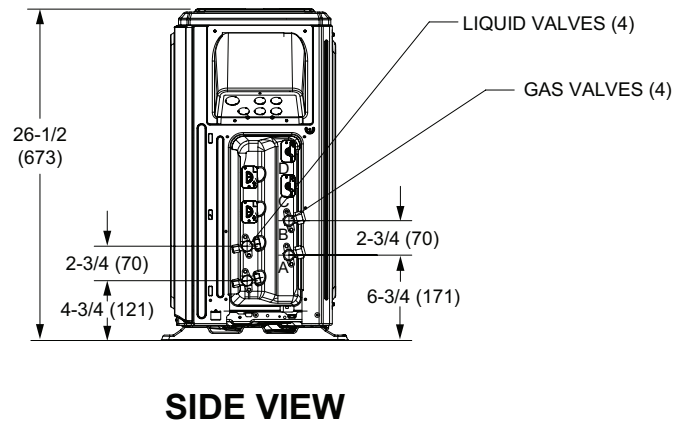
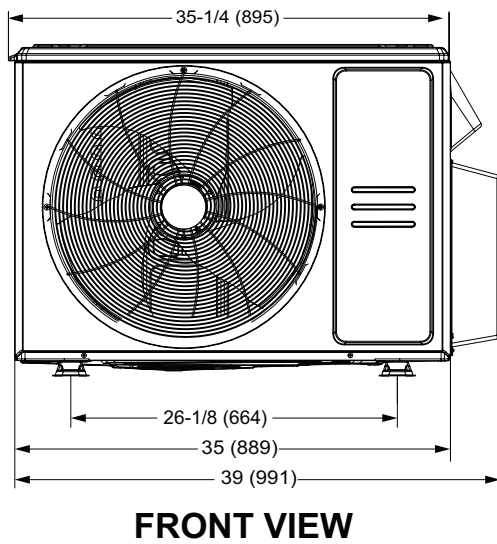
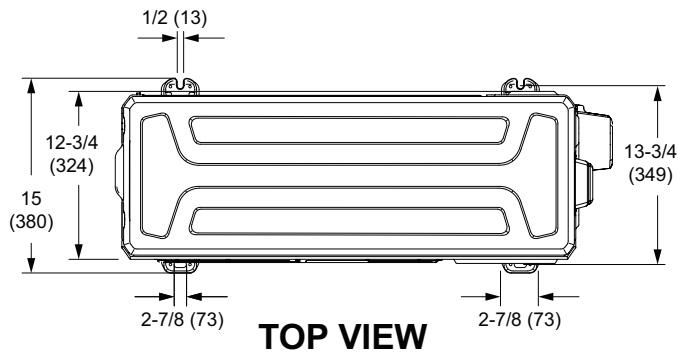


\*SP4 Limit airflow rate setting on the controller.

**DIMENSIONS**

**OUTDOOR UNITS**

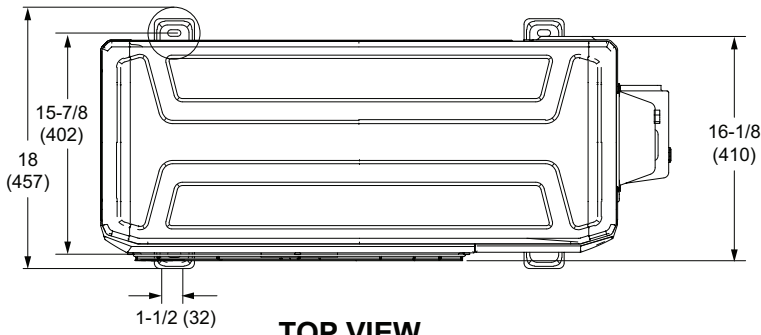
**4DHP2S18M | 4DHP2S24M | 4DHP2S30M**



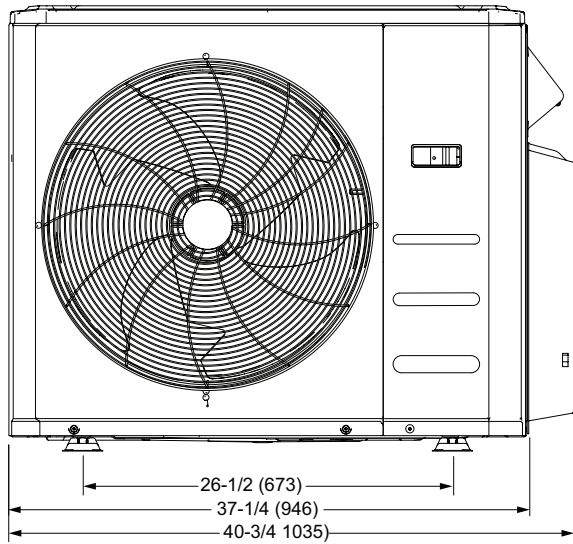
**DIMENSIONS**

**OUTDOOR UNITS**

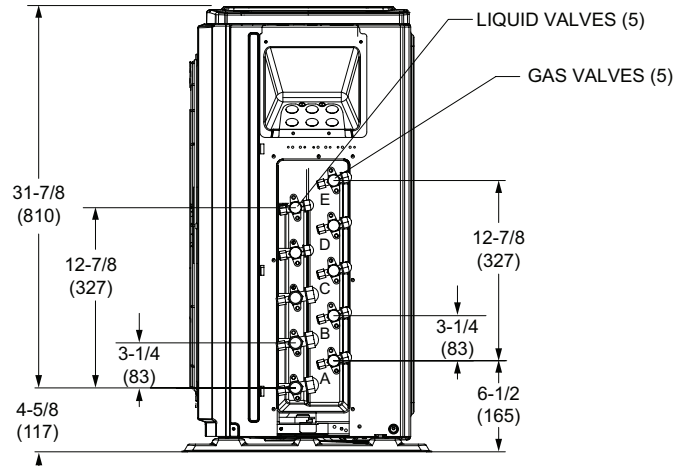
**4DHP2S36M**



**TOP VIEW**



**FRONT VIEW**

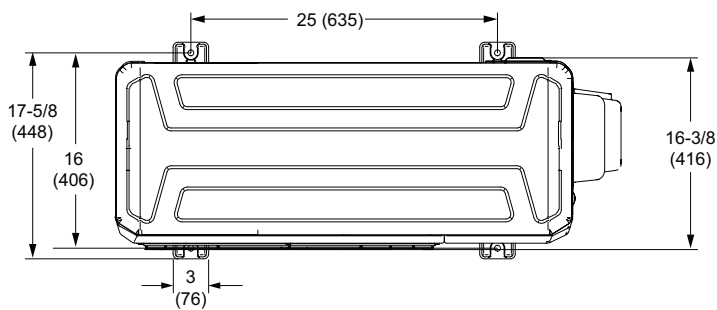


**SIDE VIEW**

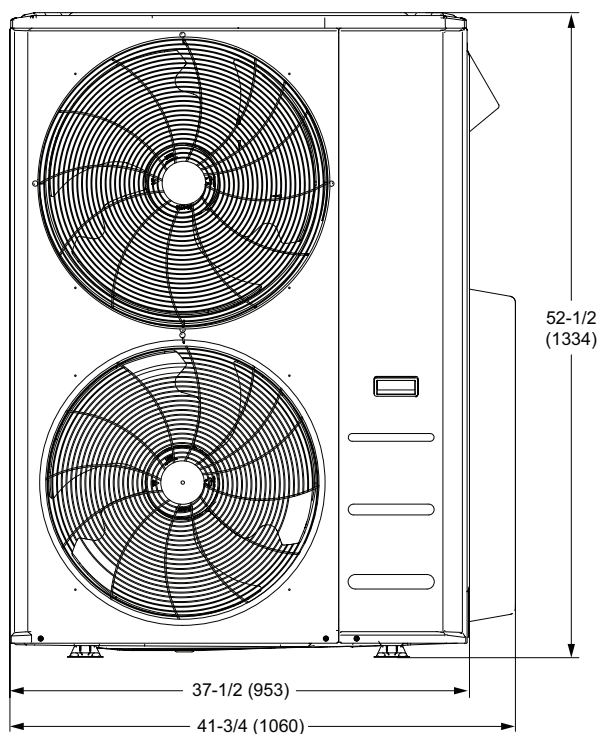
**DIMENSIONS**

**OUTDOOR UNITS**

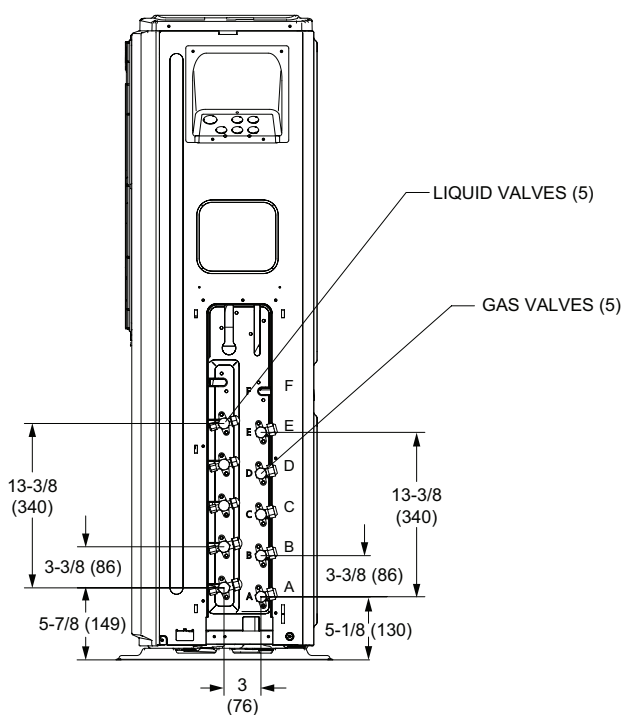
**4DHP2S48M**



**TOP VIEW**



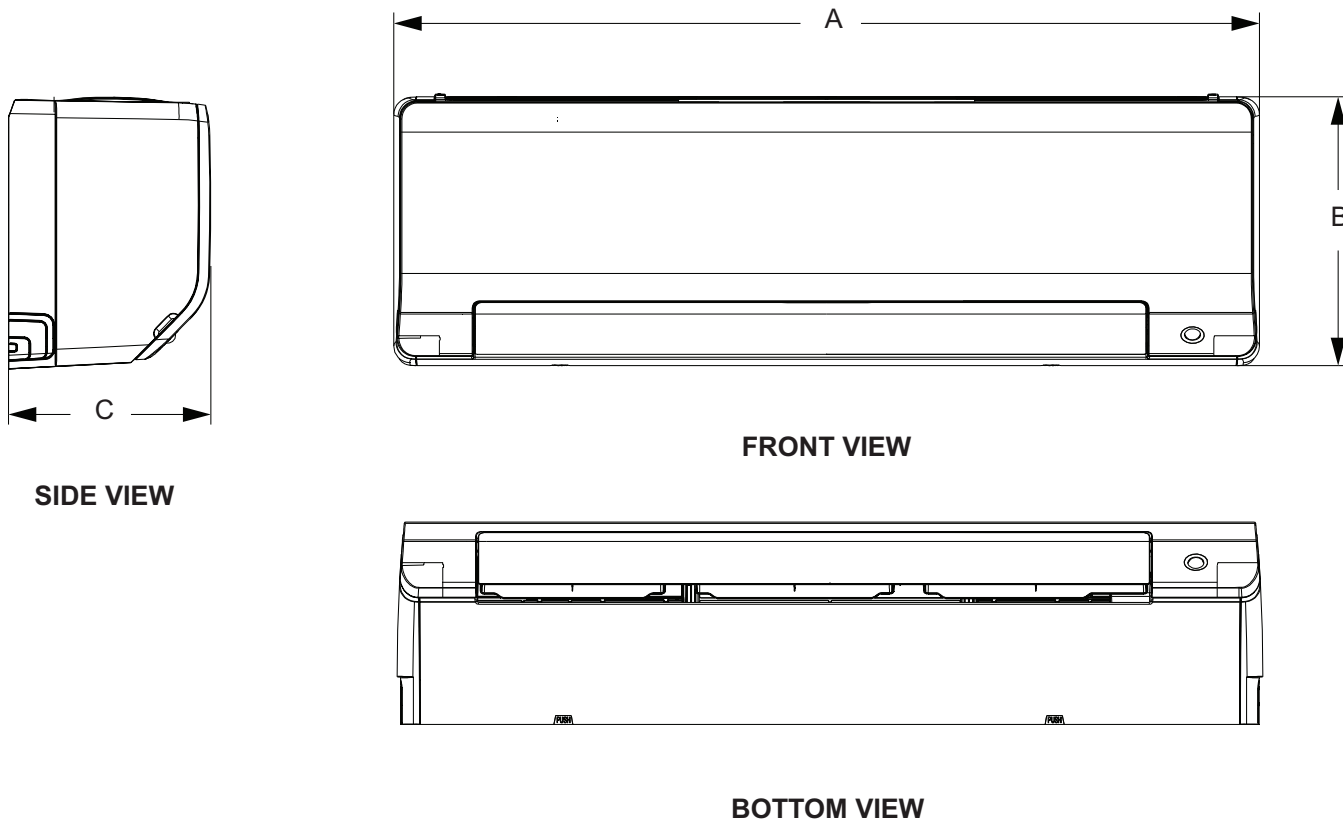
**FRONT VIEW**



**SIDE VIEW**

**DIMENSIONS** **WALL-MOUNTED INDOOR UNITS**

DWM206S4 | DWM209S4 | DWM212S4 | DWM218S4 | DWM224S4 | DWM230S4

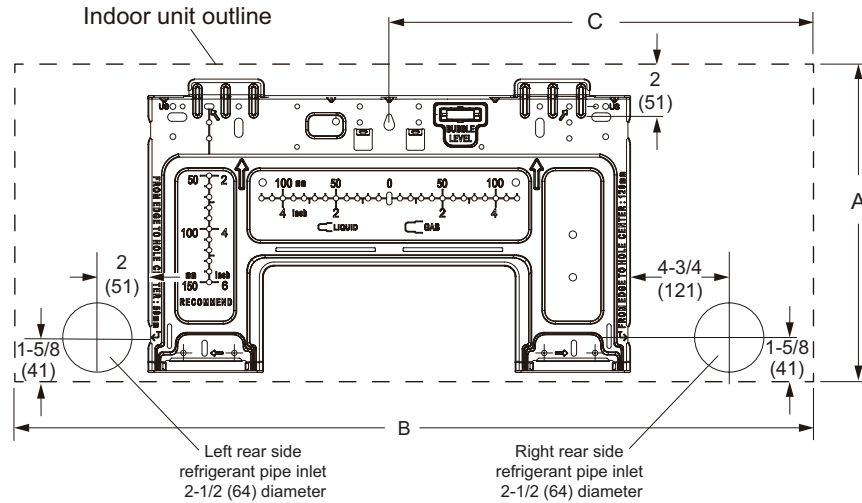


Size	A		B		C	
	in.	mm	in.	mm	in.	mm
DWM206, 09, 12	33-3/8	848	11-3/4	298	9	229
DWM218	40	1016	12-1/2	318	9-1/2	241
DWM224, 30	46-7/8	1191	14-5/8	371	11	279

**DIMENSIONS**

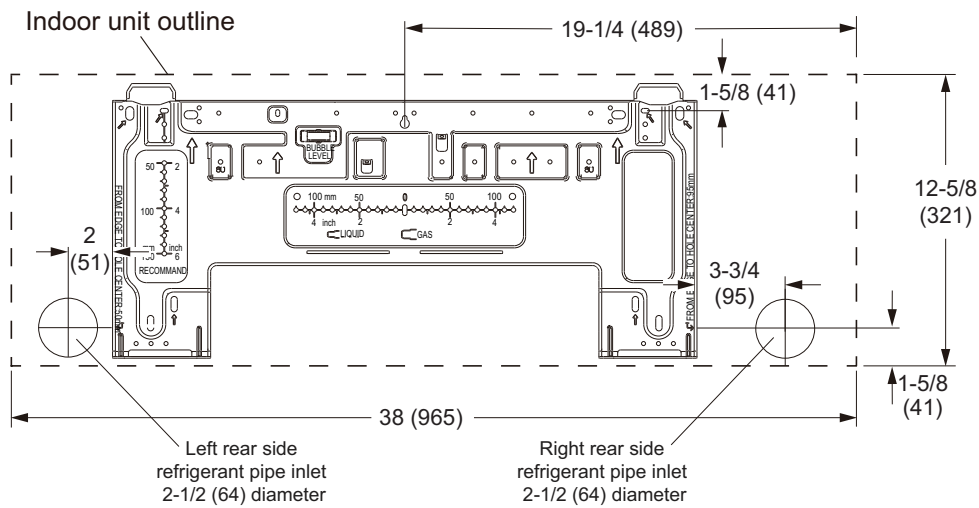
**WALL-MOUNTED INDOOR UNITS - WALL PLATES**

**DWM206S4 | DWM209S4 | DWM212S4**

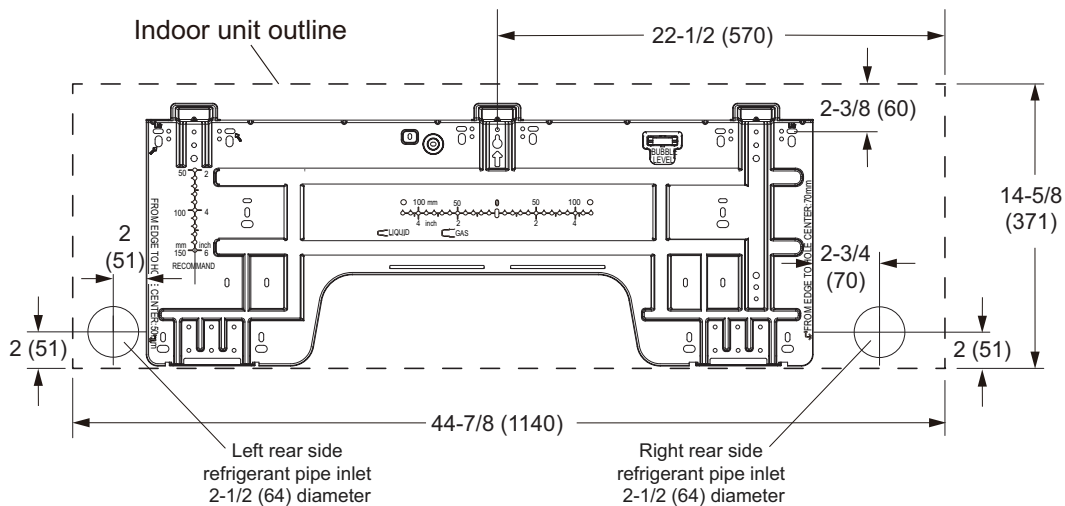


Size	A		B		C	
	in.	mm	in.	mm	in.	mm
DWM206, 09	11-1/2	290	28-1/2	724	13-3/4	349
DWM212	11-3/4	297	31-3/4	806	15-7/8	403

**DWM218S4**



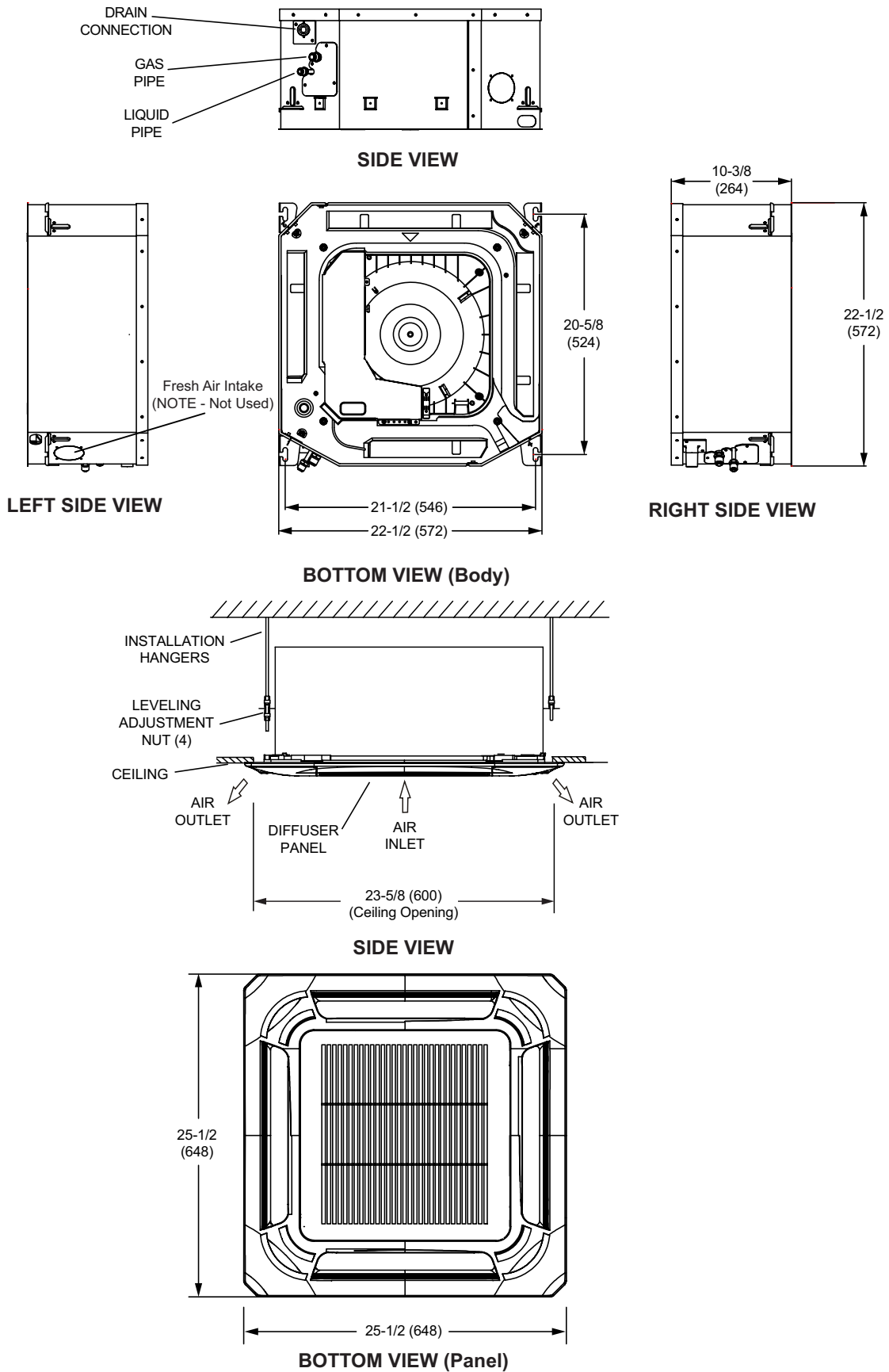
**DWM224S4 | DWM230S4**



**DIMENSIONS**

**CASSETTE INDOOR UNITS**

**D22C109S4, D22C112S4, D22C118S4**

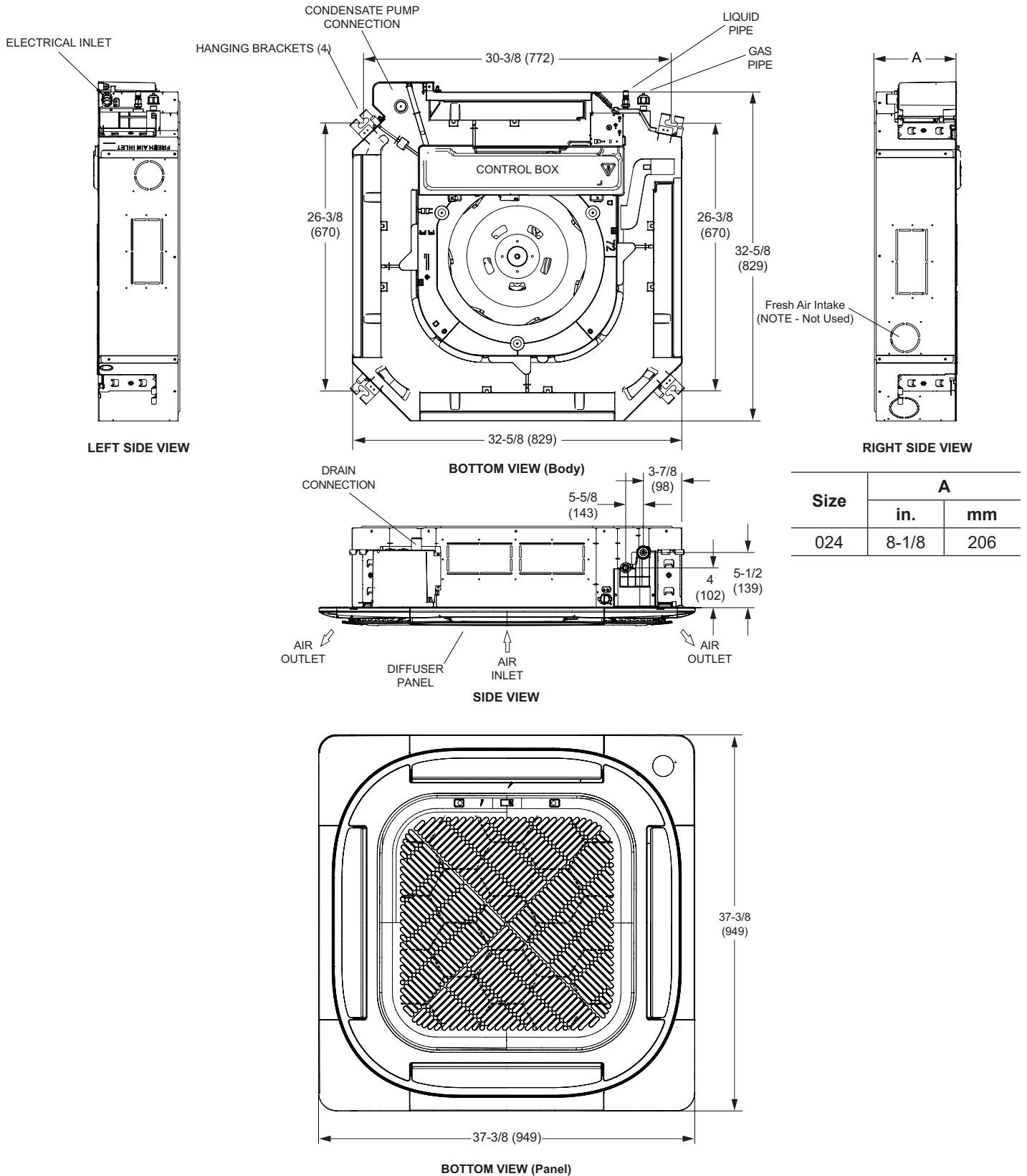




**DIMENSIONS**

**CASSETTE INDOOR UNITS**

**D33C224S4**

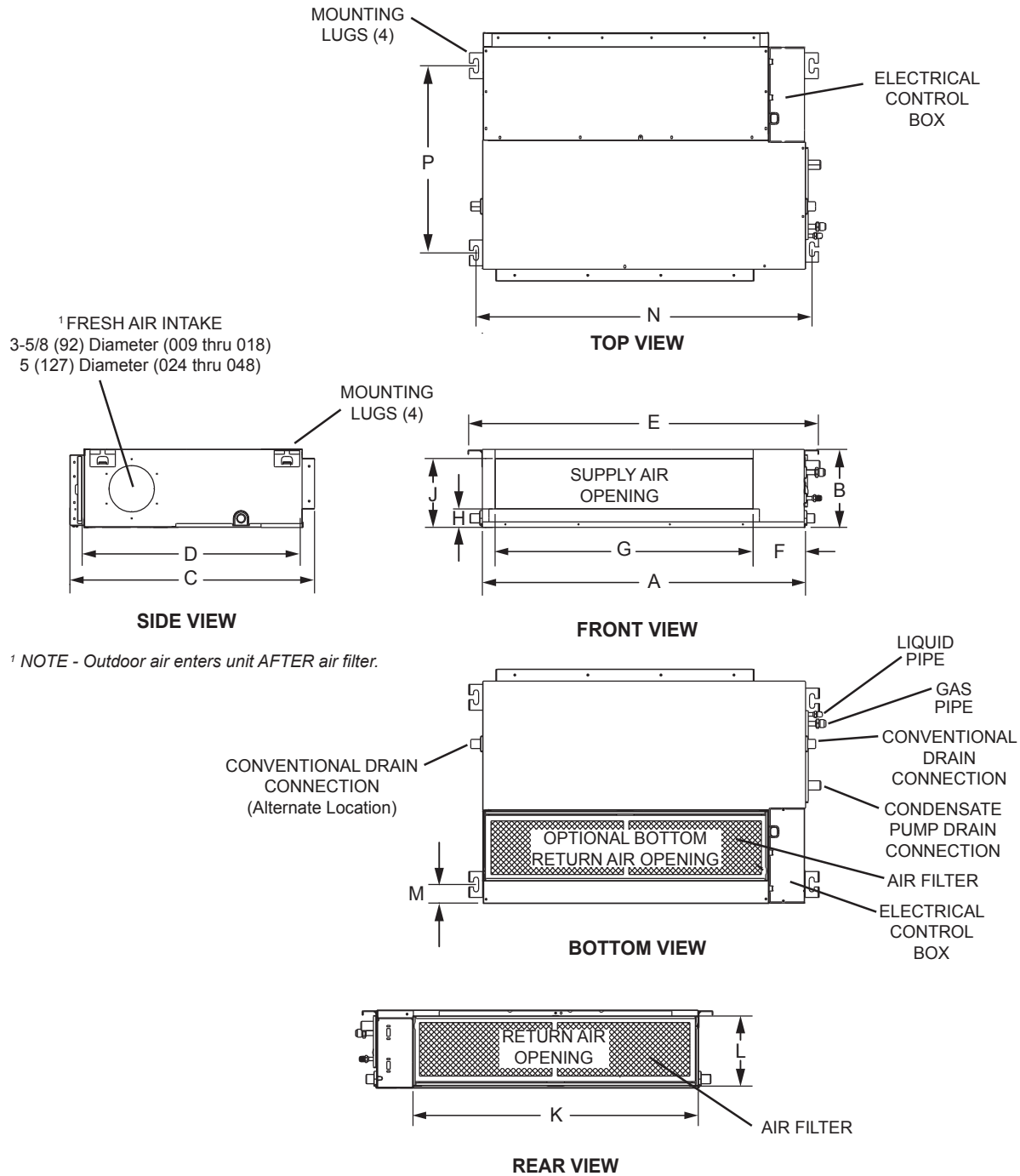


Size	A	
	in.	mm
024	8-1/8	206

**DIMENSIONS**

**MEDIUM STATIC DUCTED INDOOR UNITS**

**DMD209S4 | DMD212S4 | DMD218S4 | DMD224S4**



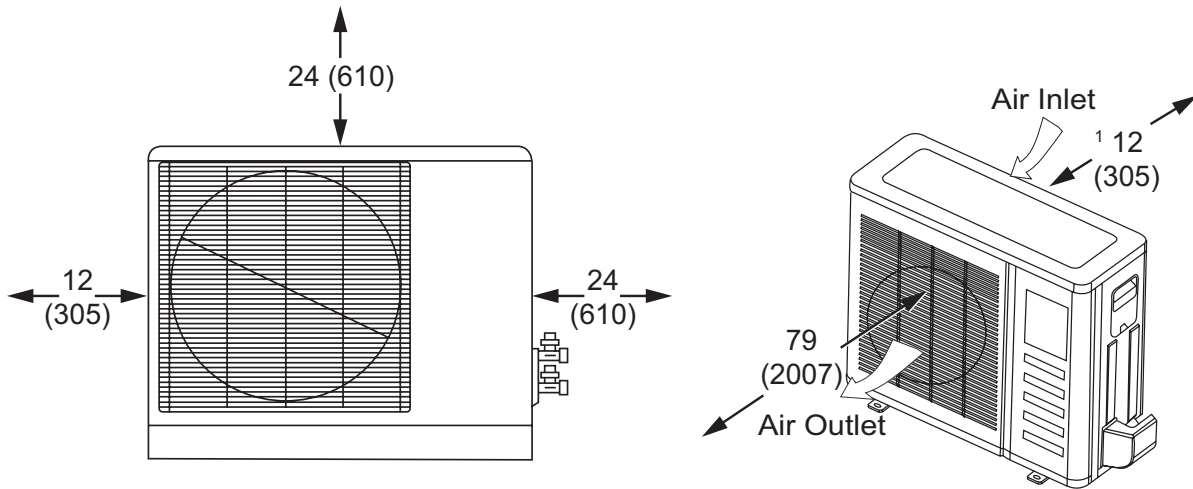
<sup>1</sup> NOTE - Outdoor air enters unit AFTER air filter.

Size	A		B		C		D		E		F		G		H	
	in.	mm	in.	mm	in.	mm	in.	mm	in.	mm	in.	mm	in.	mm	in.	mm
09 thru 12	27-5/8	702	7-7/8	200	19-7/8	505	17-3/4	451	30-3/4	781	5-3/8	137	21-1/8	537	1-1/8	29
18	34-5/8	879	8-1/4	210	26-1/2	673	23-5/8	600	37-7/8	962	5-1/2	140	27-3/4	705	2	51
24	43-1/4	1099	9-3/4	248	30-1/2	775	27-1/2	699	46-1/2	1181	5-1/2	140	36-1/2	927	2	51

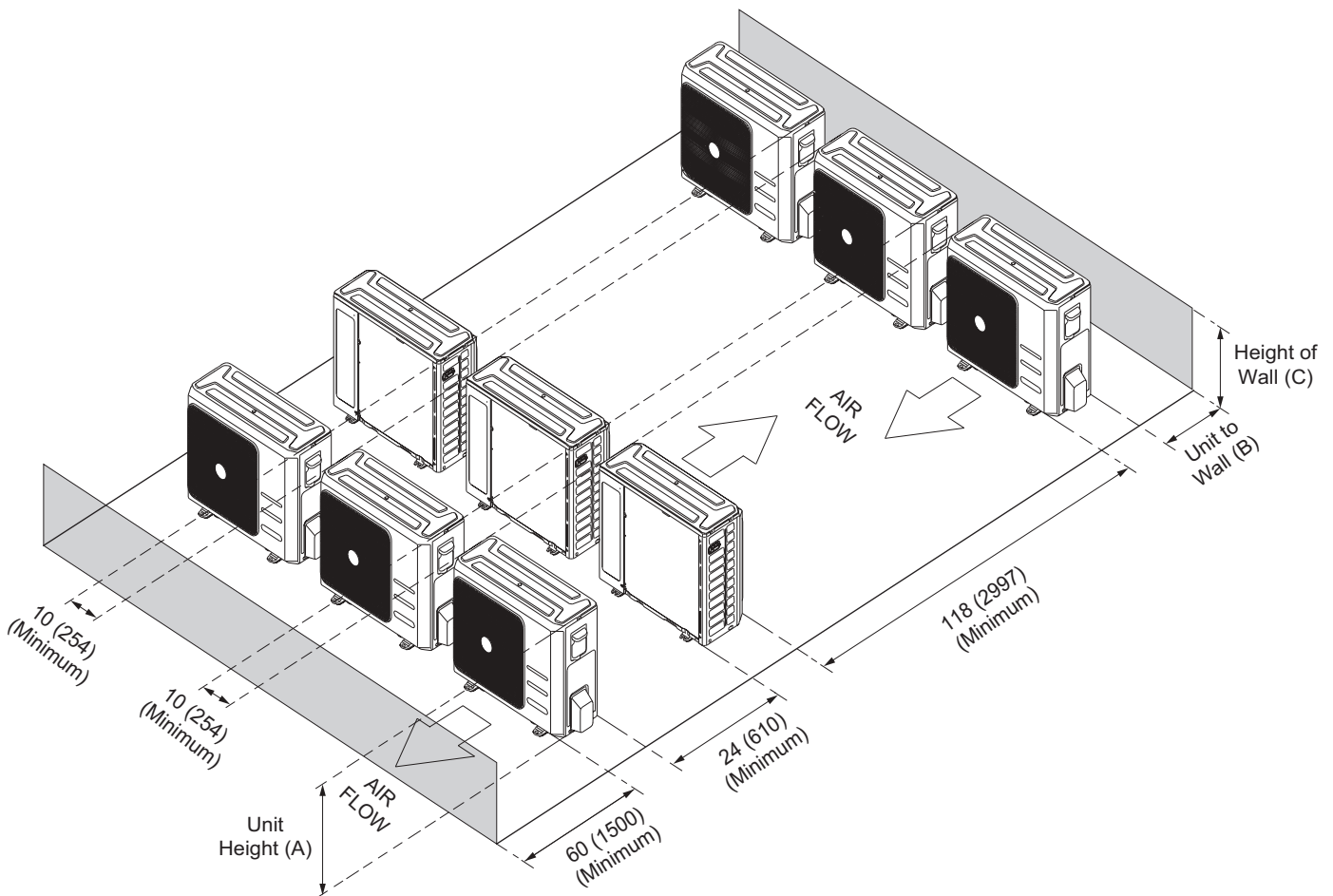
Size	J		K		L		M		N		P	
	in.	mm	in.	mm	in.	mm	in.	mm	in.	mm	in.	mm
09 thru 12	6	152	23-5/8	600	7-3/8	187	2	51	29-1/8	740	14-1/8	359
18	5-3/8	137	30-3/4	781	7-1/2	191	1-5/8	41	36-1/4	921	20	508
24	6-7/8	175	39-3/8	1000	9	229	1/4	6	44-7/8	1140	23-1/2	597

**INSTALLATION CLEARANCES**

**OUTDOOR UNITS**



<sup>1</sup> Minimum rear clearance can be 6 inches (152 mm) when mounted on brackets and with no obstructions on the other three sides.



**CLEARANCE NOTES FOR MULTIPLE UNITS:**

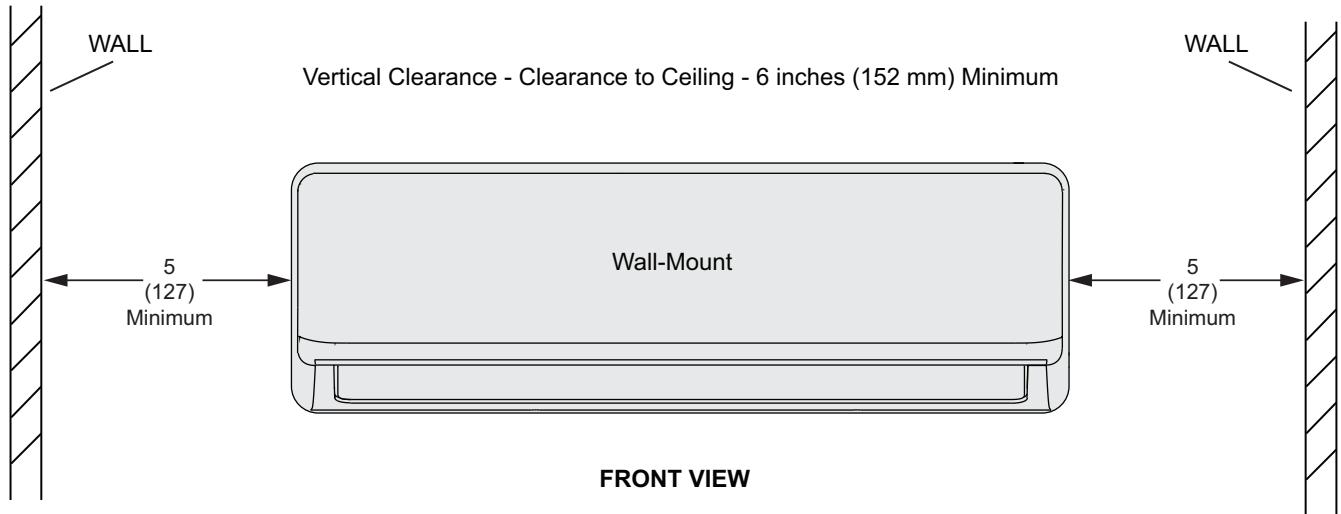
If the height of the wall (C) is less than or equal to the height of the smallest unit (A), the distance from the unit to the wall (B) must be a minimum of 10 inches (254 mm).

If 1/2 the height of the unit (A) is less than the height of the wall (C), the distance from the unit to the wall (B) must be a minimum of 12 inches (305 mm).

If the height of the wall (C) is greater than the height of the unit (A), the distance from the unit to the wall (B) must be a minimum of 20 inches (508 mm).

**INSTALLATION CLEARANCES**

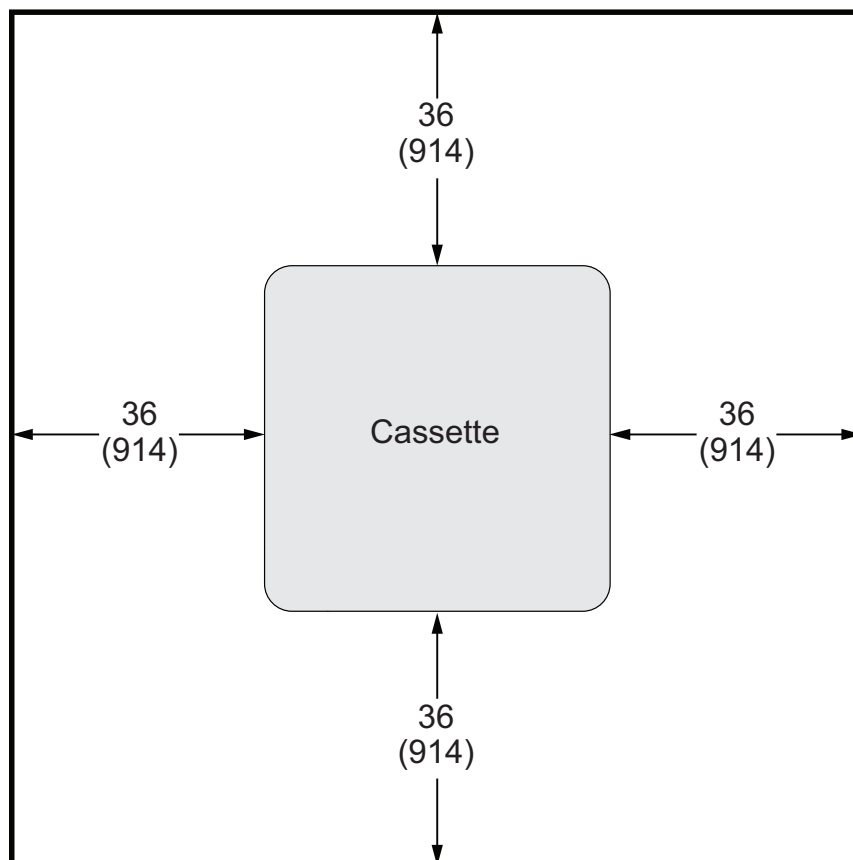
**WALL-MOUNTED INDOOR UNITS**



Vertical Clearance - Clearance to Floor - 72 inches (1829 mm) Minimum  
 NOTE - Provide 96 inches (2438) clearance to floor for best performance

**INSTALLATION CLEARANCES**

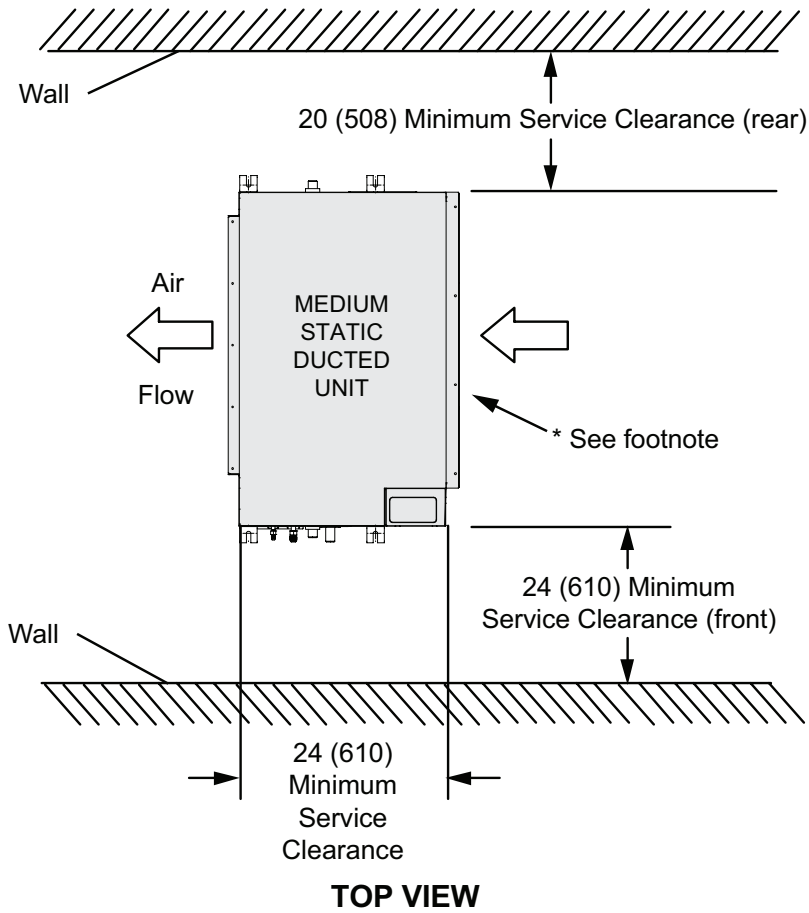
**CASSETTE INDOOR UNITS**



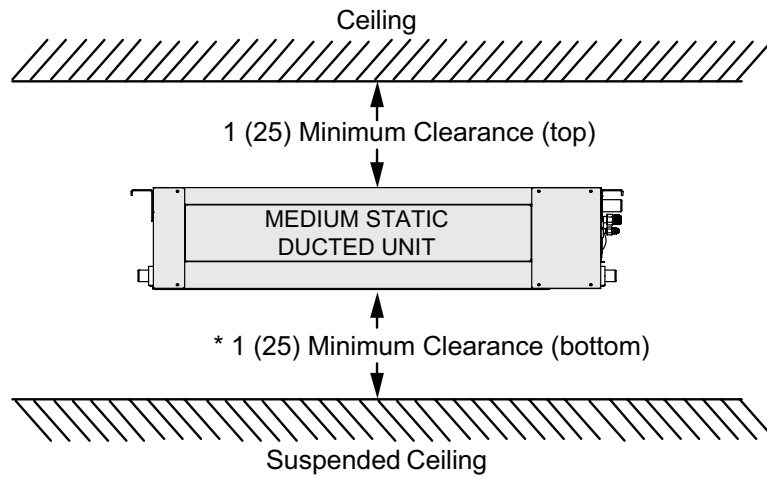
Minimum Vertical Clearances:  
 Minimum Clearance from Structural Ceiling to Drop Ceiling - 10-1/4 inches (260 mm)  
 Minimum Clearance to Floor - 98-1/2 inches (2500 mm)

INSTALLATION CLEARANCES

MEDIUM STATIC DUCTED INDOOR UNITS



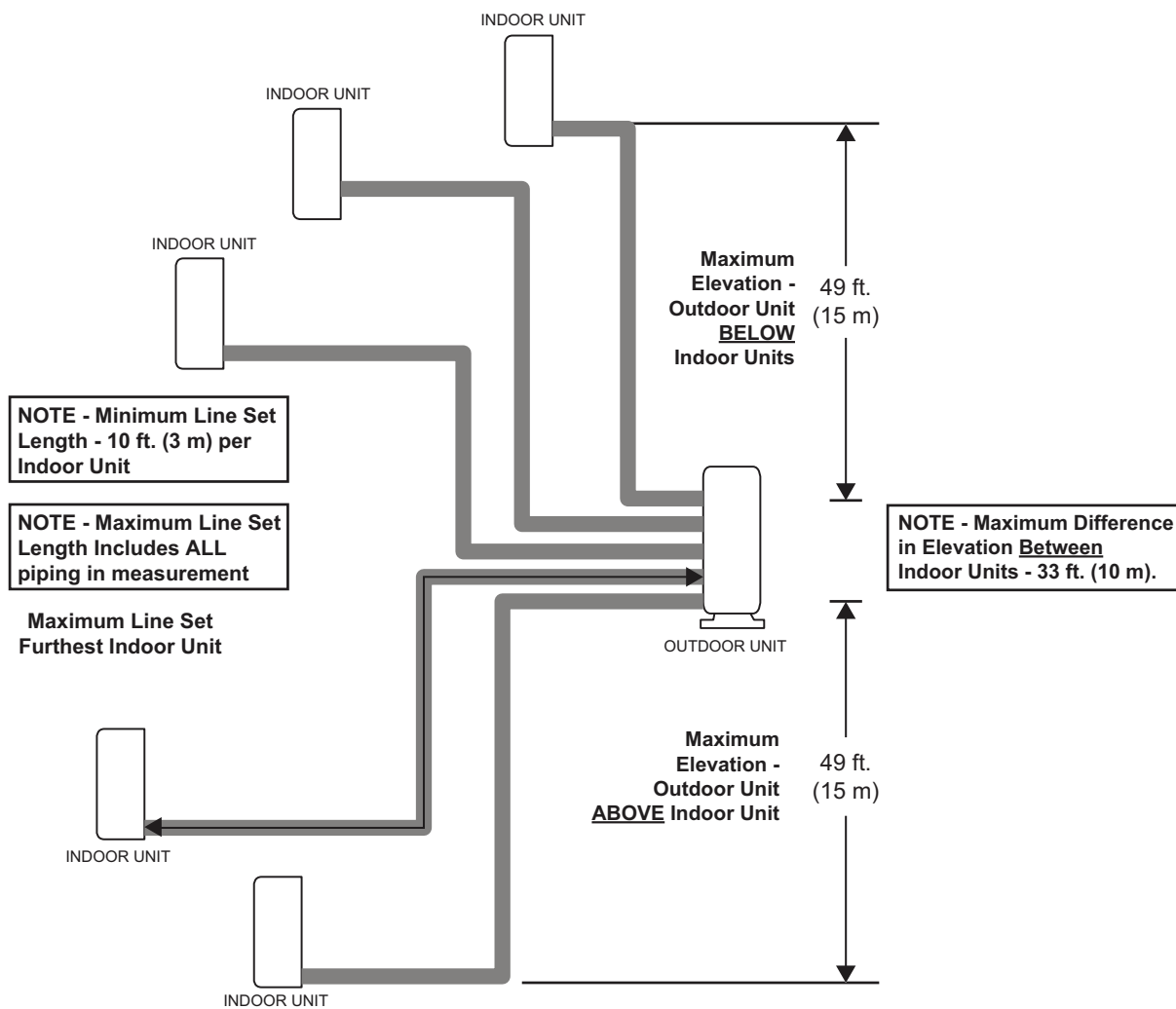
TOP VIEW



**\* NOTE - Bottom unit clearance can be 1 inch (25 mm), but allow 12 inches for filter removal on end return air applications**

FRONT VIEW

**LINE SET AND ELEVATION GUIDELINES**



Outdoor Unit Model No.	4DHP2S18M	4DHP2S24M	4DHP2S30M	4DHP2S36M	4DHP2S48M
Maximum Number of Indoor Units/Zones	Two	Three	Three	Four	Five
Indoor Unit Connections	(2) 1/4 liq. (2) 3/8 gas	(3) 1/4 liq. (3) 3/8 gas	(3) 1/4 liq. (3) 3/8 gas	(4) 1/4 liq. (3) 3/8 gas (1) 1/2 gas	(5) 1/4 liq. (3) 3/8 gas (2) 1/2 gas
Maximum Pipe Length for all Rooms	131 ft. (40 m)	197 ft. (60 m)	197 ft. (60 m)	262 ft. (80 m)	262 ft. (80 m)
Maximum Line Set Length - Furthest Indoor Unit	82 ft. (25 m)	98 ft. (30 m)	98 ft. (30 m)	115 ft. (35 m)	115 ft. (35 m)

NOTE - Refer to "Outdoor To Indoor Unit Line Connections" tables starting on page 42 for correct refrigerant line adaptors furnished with outdoor units.



1-800-448-5872

All specifications and illustrations subject to change without notice and without incurring obligations.