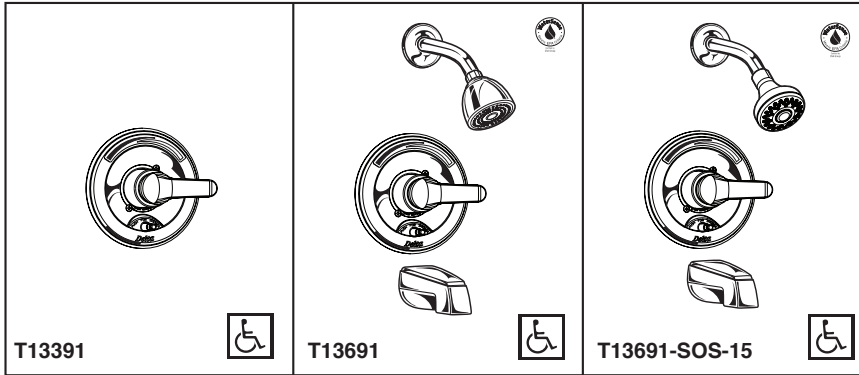




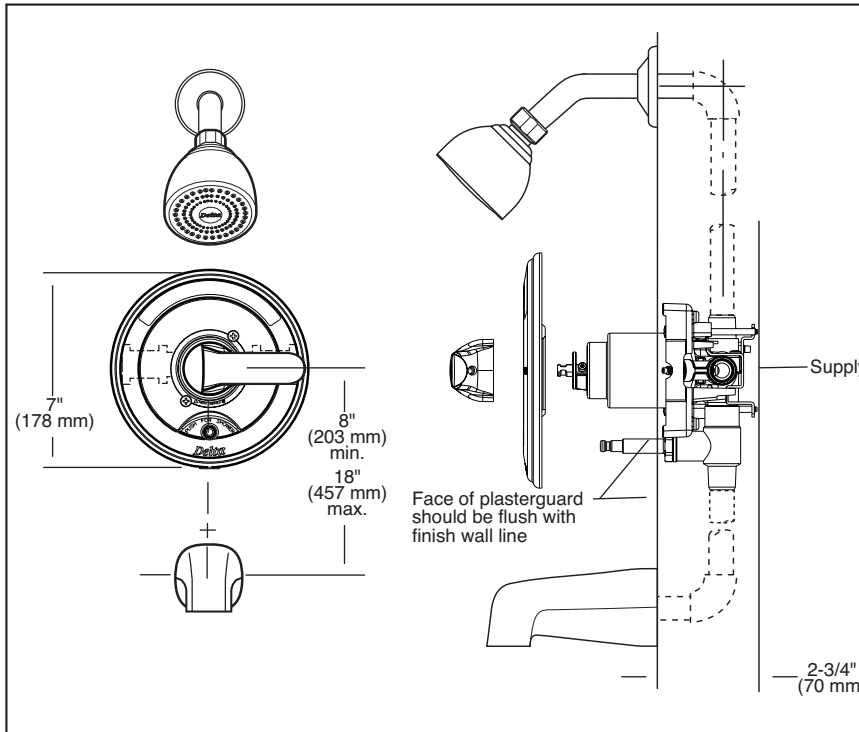
BATH VALVES

- Valve Only (T13391)
- Tub/Shower (T13691, T13691-SOS-15)



Submitted Model No.: _____

Specific Features: _____



STANDARD SPECIFICATIONS:

- Monitor® 13 Series pressure balanced bath mixing valve
- Maintains a balanced pressure of hot and cold water even when a valve is turned on or off elsewhere in the system
- Back-to-back installation capability
- Temperature only controlled with metal lever handle
- Field adjustable to limit handle rotation into hot water zone
- 120° maximum handle rotation
- All parts replaceable from the front of the valve
- Touch-Clean® shower head/1 spray pattern (T13691)
- Touch-Clean® shower head/1 spray pattern/1.5 gpm (5.7 L/min) water efficient (T13691-SOS-15)
- Push button diverter
- Metal tub filler (T13691)
- Metal slip-on tub filler (T13691-SOS-15)
- Red/blue non-removeable marking on escutcheon

R10300-UNWS Rough-In

- For use with MultiChoice Universal rough valve body for push button diverter - Order separately

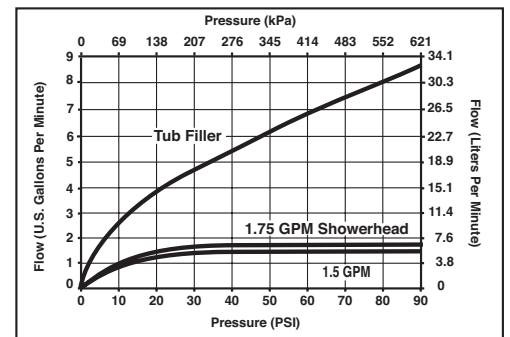
WARRANTY

- Lifetime limited warranty on parts (other than electronic parts and batteries) and finishes; or, for commercial users, for 5 years from date of purchase.
- 5 year limited warranty on electronic parts (other than batteries); or, for commercial users, for 1 year from the date of purchase. No warranty is provided on batteries.

COMPLIES WITH:

- ASME A112.18.1 / CSA B125.1
- Indicates compliance to ICC/ANSI A117.1 - Applies to valve control only
- ASSE 1016

<p>RP38357 Touch-Clean® Showerhead</p> <p>Full Spray</p>	<p>52672-15-BG 1.5 GPM (5.7 L/min) Showerhead</p> <p>Full Spray</p>
<p>RP5833 Metal Thread onto 1/2" I.P.S.</p>	<p>RP100166 Slip-on Tub Spout Removable Adapter</p>



Delta reserves the right (1) to make changes in specifications and materials, and (2) to change or discontinue models, both without notice or obligation. Dimensions are for reference only. See current full-line price book or www.specselect.com for finish options and product availability.