



Specification: (example)
**(FOR TOP INLET URINAL FIXTURE)
LESS STOP, WITH MODIFIED TAIL TO FIT SLOAN[®]/ZURN[®] STOP**

- Quiet action, TECK[®] exposed diaphragm flush valve
- Chloramine resistant diaphragm
- Forged brass diaphragm retainer
- Renewable seat
- Polished chrome plated body
- **External water conserving flush volume adjustment**, factory set 1.9 litre (0.50 gal.)
- Vandal resistant cover screw
- Metal "non hold open" handle
- Adjustable 114mm (4.5") to 131mm (5.18") inlet/valve outlet centers
- Vacuum breaker
- Spud flange and spud nut
- **Recommended water supply:**
Minimum flowing pressure – 25 psi (172 kPa)
Minimum flow rate – 8 gpm (30 L/min)


FOR 3/4" TOP INLET URINAL FIXTURE

- 81T231-30**
As above
- 81T231-30-19**
Same as 81T231-30, **Not Field Adjustable** 
- 81T231-30-05**
Same as 81T231-30, but set to 0.5 litre (0.125 gal.), **Not Field Adjustable** 

**OPTIONS AVAILABLE
(for Field Conversion):**

- 060253A**
3/4" x 19-1/2" VB Tube (for 81T231 Series)


Approvals:

- IAPMO listed to ASSE 1037/
ASME A112.1037/CSA B125.37
-  Indicates compliance to
ICC/ANSI A117.1

(Contact Delta Representative for State and/or Local Approvals.)

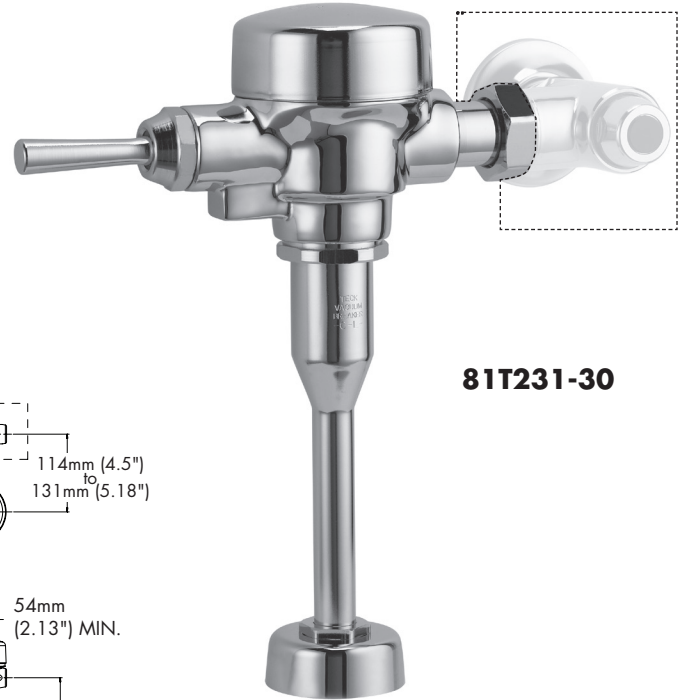
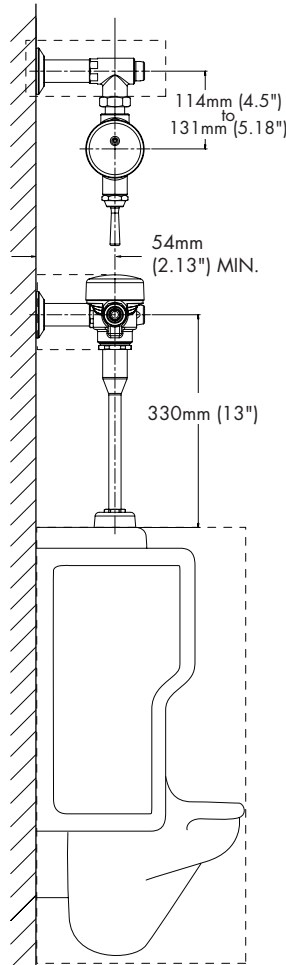
Engineer/Architect Approval

Model Specified:

Approval:

Date:

Note: Measurements may vary ± 6mm (0.25")


81T231-30


**Items shown outlined
by dotted lines supplied
by others.**

Note: For high and low pressure applications, please see page FEA-81T High Water Pressure note for more details.
Verify flow requirements with bowl manufacturer.