



**Dearborn®
Brass**

4675 W. 160th St.
Cleveland, Ohio 44135
Ph: (800) 321-9532
Fax: (800) 321-9535
www.dearbornbrass.com

SUBMITTAL SPECIFICATION

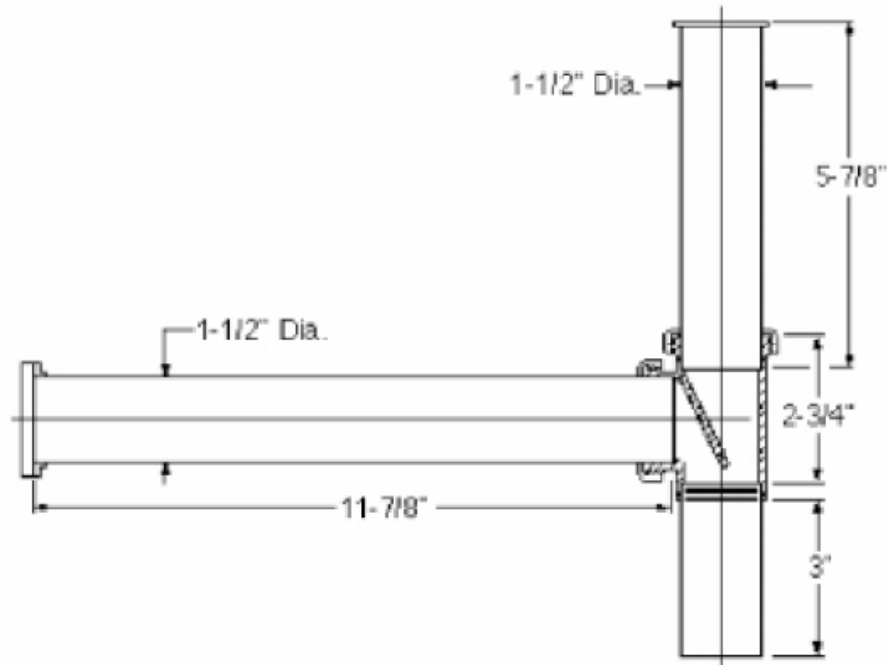
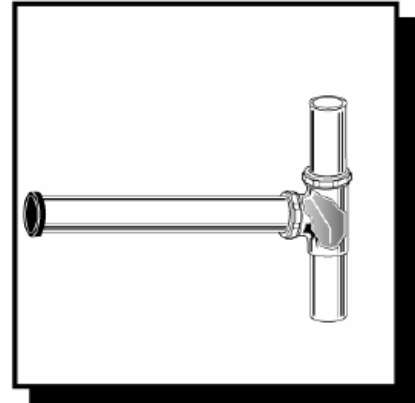
**BRASS TUBULAR
1-½" CENTER TO END DISPOSER KITS**

Engineering Specification: Dearborn Brass 1-½" Center to End Brass Tubular Disposer Kits are designed for use in tubular drain applications. Available in 17, 20 or Budget Gauge Brass.

Job Reference

DESCRIPTION

- Chrome Finish
- Brass Tubular Disposer Kits
 - Threaded Tailpiece
 - 6" Sink Strainer Tailpiece
 - 12" Sink Strainer Tailpiece
 - 1-½" Tee with Baffle
 - Rubber Discharge Gasket
 - (2) Zinc Nuts
 - (2) Rubber Washers



✓	Product No.	Description	Carton Quantity	Carton Weight (lbs)
	100-22-1	1-½" x 13" Center to End Disposer Kit – Budget Gauge	10	15
	100-20-1	1-½" x 13" Center to End Disposer Kit – 20 Gauge	10	18
	100-17-1	1-½" x 13" Center to End Disposer Kit – 17 Gauge	10	21

Data is subject to manufacturing tolerances.