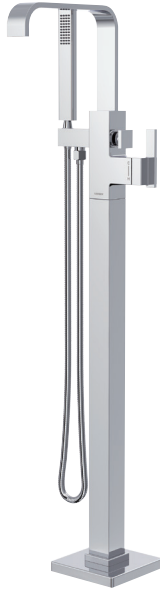



SPECIFICATIONS

Features/Benefits



- 40" (1016mm) Spout Height, 9 1/4" (235mm) Spout Reach
- Requires Tub Filler Rough-In, D315000BT, Sold Separately
- Includes Ceramic Disc Pressure Balance Cartridge
- 1.75 gpm (6.6 L/min) Max Flow @ 80 psi (Hand Shower D462126)
- Includes 59" Metal Shower Hose (G469021)
- Square Floor Mount Tub Filler Trim Kit Less Handshower (D300144LHT)

Available Color/Finishes

Color	Description
	Chrome

Please see gerber-us.com or current price list for available finishes. Finish is defined by additional suffix.

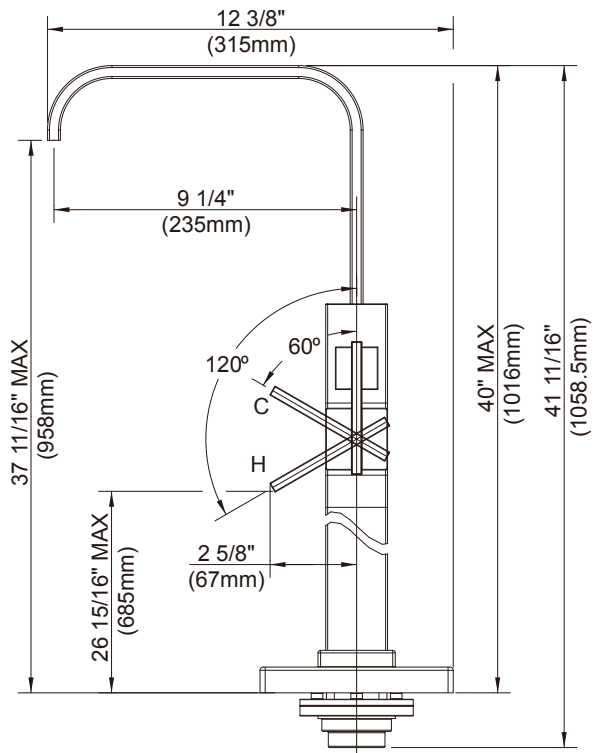
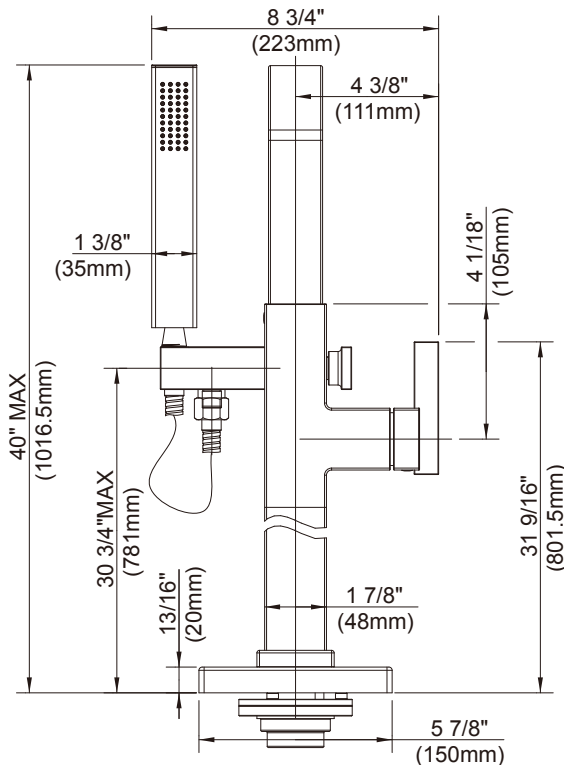
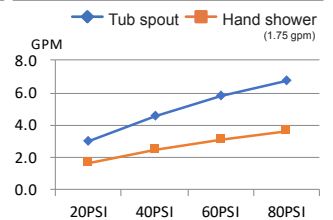
Standards & Certifications



(For Hand Shower)

(Lever Handle)

Flow Rate



Submittal Information:

Name: _____
Location: _____

Contractor: _____
Contact #: _____