

SP4835 48 x 35 AcrylX Alcove Shower Base

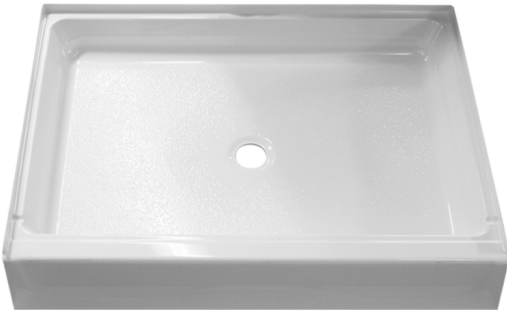
Model number:

SP4835-WH

Dimensions: 48" x 35" x 7"

Installation:

Material: AcrylX™



Standard Features:

- AcrylX™
- Includes water migration channel for proper drainage
- Slip resistant floor
- Center drain
- Corner seat available

Product characteristics:

- AcrylX™
- One-Piece Unit

Standard Colors:



White



Bone



Biscuit

Certifications

CLARION products adhere to one or more of the following certifications:



SP4835 48 x 35 AcrylX Alcove Shower Base

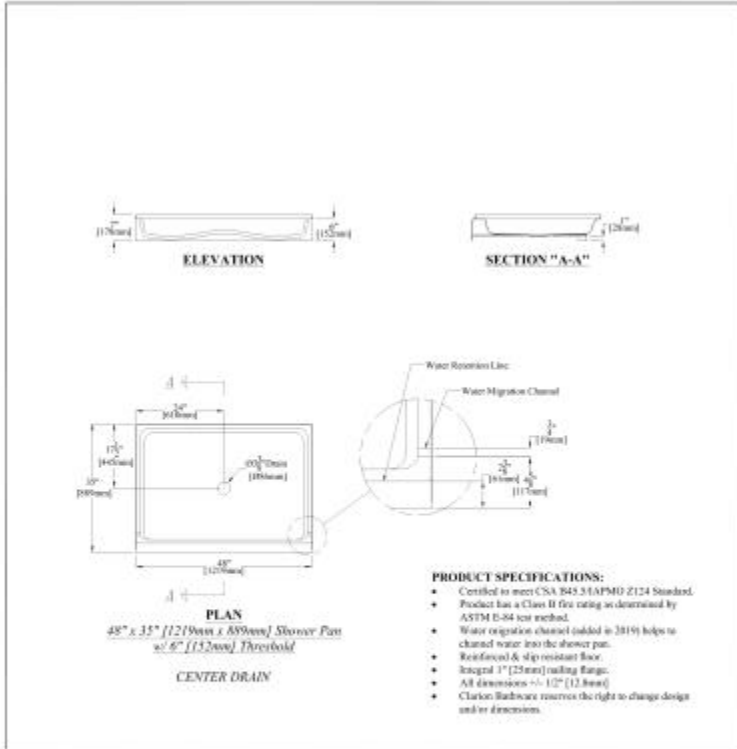
Model number:

SP4835-WH

Dimensions: 48" x 35" x 7"

Installation:

Material: AcrylX™



Dimensions

48 x 35 x 7 In.
(1219 x 889 x 178 mm)

Shape

Rectangular

Drain location:

Center

SP4835

48" x 35" [1219mm x 889mm] Shower Pan w/ 6" [152mm] Threshold & Center Drain

Clarion
BATHWARE
44 Amick Ave.
Shipperville, PA 16254

Phone: (814) 226-5374
Toll Free: (800) 576-9228
Fax: (814) 226-0730
www.clarionbathware.com

Signatures For Approval:

Customer: _____

Arch./Engr: _____

Quote #: _____

Job Name: _____

Date: _____

*** IMPORTANT NOTICE ***

Clarion Bathware reserves the right to change the design and/or dimensions of its products at any time. This drawing may have been updated since this publication was issued. Before placing an order for any product, refer to our website at www.clarionbathware.com to obtain the most current drawings for any products that you wish to purchase. Compare the date of revision of the drawing that you have with the one on the drawing as our website. If you do not have internet access, please call your sales representative or Clarion Bathware's sales department at 1-800-576-9228.

Project: _____

Contractor: _____

Representative: _____

Date: _____

Tel: _____

Notes: _____

Clarion