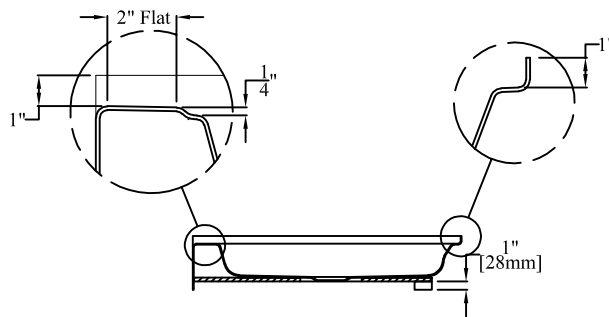
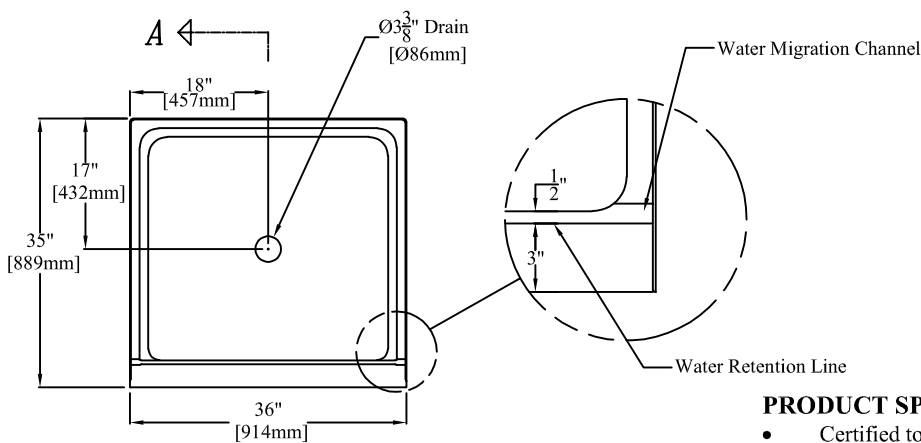


**ELEVATION**



**SECTION "A-A"**



**PLAN**

*36" x 35" [914mm x 889mm] Shower Pan  
w/ 6" [152mm] Threshold*

*CENTER DRAIN*

**PRODUCT SPECIFICATIONS:**

- Certified to meet CSA B45.5/IAPMO Z124 Standard.
- Product has a Class B fire rating as determined by ASTM E-84 test method.
- Water migration channel (added in 2019) helps to channel water into the shower pan.
- Reinforced & slip resistant floor.
- Integral 1" [25mm] nailing flange.
- All dimensions +/- 1/2" [12.8mm]
- Clarion Bathware reserves the right to change design and/or dimensions.

**SP3635**

**36" x 35" [914mm x 889mm] Shower Pan w/ 6" [152mm] Threshold & Center Drain**

**Clarion**  
BATHWARE  
44 Amsler Ave.  
Shipperville, PA 16254

Phone: (814) 226-5374  
Toll Free: (800) 576-9228  
Fax: (814) 226-0730  
www.clarionbathware.com

Signatures For Approval:

Customer: \_\_\_\_\_  
Arch./Engr: \_\_\_\_\_

Date:

Quote #: \_\_\_\_\_  
Job Name: \_\_\_\_\_

Dwg. #  
SP3635-CUT

Dwg. By: CAL  
DATE: 4/27/2021

**\*\*\* IMPORTANT NOTICE \*\*\***

Clarion Bathware reserves the right to change the design and/or dimensions of its products at any time. This drawing may have been updated since this publication was issued. Before placing an order for any product, refer to our website at [www.clarionbathware.com](http://www.clarionbathware.com) to obtain the most current drawings for any products that you wish to purchase. Compare the date of revision of the drawing that you have with the one on the drawing on our website. If you do not have internet access, please call your sales representative or Clarion Bathware's sales department at 1-800-576-9228.