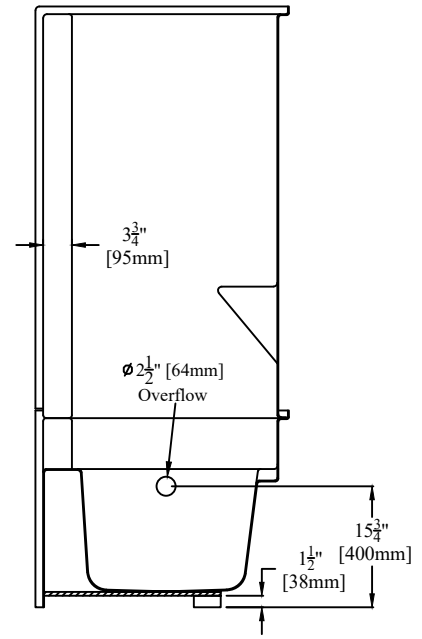
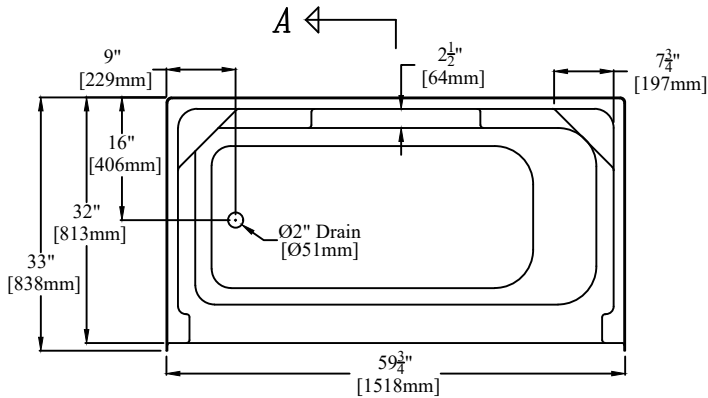


ELEVATION



SECTION "A-A"



PLAN

**59 3/4" [1518mm] 3-Piece Tub/Shower
w/ Molded Shelving**

Left Hand Version (6032L) Shown

PRODUCT SPECIFICATIONS:

- * Certified to meet CSA B45.5/IAPMO Z124 Standard.
- * Product has a Class B fire rating as determined by ASTM E-84 test method.
- * Reinforced & slip resistant floor.
- * Integral 1" [25mm] nailing flange.
- * Factory drilled 2 1/2" [64mm] overflow.
- * Door Opening: W-53 3/4" [1365mm]
H-58 3/4" [1492mm]
- * Bathwell Dimensions (At Top): W-52 1/2" [1334mm]
D-23" [584mm]
H-16 1/4" [413mm]
- * Bathwell Dimensions (At Bottom): W-42" [1067mm]
D-18 3/4" [476mm]
- * Bathwell Capacity (At Overflow): 45 Gal [170L]
- * Water Level (At Overflow): 12 3/4" [324mm]
- * This unit is available without an overflow (Model 6032LM or 6032RM).
- * This unit is available with a removable access panel.
(Model 6032LA or 6032RA)
- * All dimensions +/- 1/2" [12.8mm]
- * Clarion Bathware reserves the right to change design and/or dimensions.
- * Dimensions are the same for RE, MP, and all other versions of this model.

6032L or 6032R

59 3/4" [1518mm] 3-Piece Tub/Shower w/ Molded Shelving & Left or Right Hand Drain

Clarion

BATHWARE
44 Amsler Ave.
Shipperville, PA 16254

Phone: (814) 226-5374
Toll Free: (800) 576-9228
Fax: (814) 226-0730
www.clarionbathware.com

Signatures For Approval:

Customer: _____
Arch./Engr: _____

Date:

Dwg. #
6032L or R-CUT

Quote #: _____
Job Name: _____

Dwg. By: CAL
DATE: 5/18/2021

***** IMPORTANT NOTICE *****

Clarion Bathware reserves the right to change the design and/or dimensions of its products at any time. This drawing may have been updated since this publication was issued. Before placing an order for any product, refer to our website at www.clarionbathware.com to obtain the most current drawings for any products that you wish to purchase. Compare the date of revision of the drawing that you have with the one on the drawing on our website. If you do not have internet access, please call your sales representative or Clarion Bathware's sales department at 1-800-576-9228.