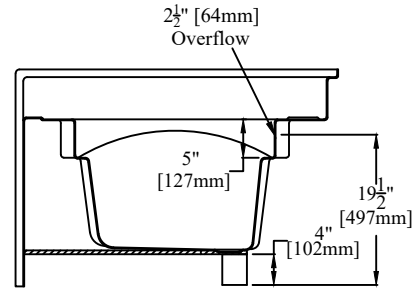
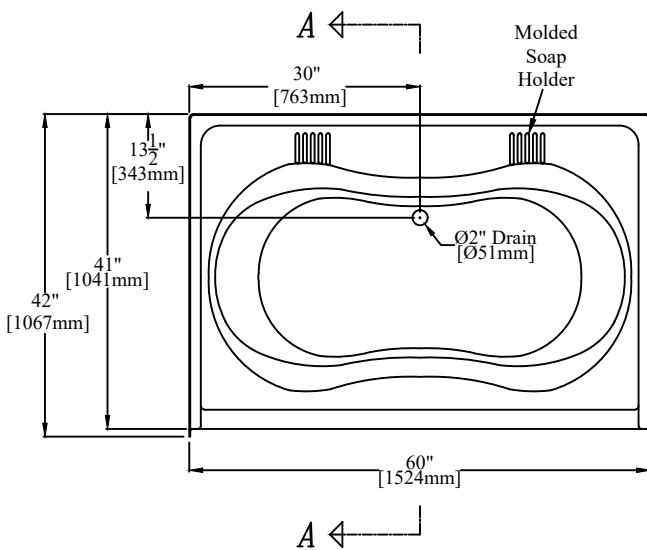


ELEVATION



SECTION "A-A"



PLAN

60" [1524mm] Bathtub
w/ Molded Soap Holders

REAR CENTER DRAIN

PRODUCT SPECIFICATIONS:

- * Product has a Class B fire rating as determined by ASTM E-84 test method.
- * Certified to meet CSA B45.5/IAPMO Z124 Standard.
- * Sufficient drain clearance to accommodate above the floor plumbing.
- * Reinforced & slip resistant floor.
- * Molded arm ledges in bathwell.
- * Integral 1" [25mm] nailing flange.
- * Factory drilled 2 1/2" [64mm] overflow.
- * Bathwell Dimensions (At Top): W-55" [1397mm]
D-26" [660mm]
H-17" [432mm]
- * Bathwell Dimensions (At Bottom): W-41" [1041mm]
D-19 1/2" [495mm]
- * Bathwell Capacity (At Overflow): 55 gal. [208L]
- * Water Level (At Overflow): 13 3/4" [349mm]
- * This unit is available without an overflow model becomes (3100XM)
- * This unit is available with a removable access panel model (3100AX or 3100AXM)
- * All dimensions +/- 1/2" [12.8mm]
- * Clarion Bathware reserves the right to change design and/or dimensions.
- * Dimensions are the same for RE, MP, and all other versions of this model.

3100X

60"[1524mm] Bathtub w/ Molded Soap Holders

Clarion
BATHWARE
44 Amsler Ave.
Shipperville, PA 16254

Phone: (814) 226-5374
Toll Free: (800) 576-9228
Fax: (814) 226-0730
www.clarionbathware.com

Signatures For Approval:

Customer: _____
Arch./Engr: _____

Date:

Dwg. #
3100X-CUT

Quote #: _____
Job Name: _____

Dwg. By: CAL
DATE: 5/4/2021

***** IMPORTANT NOTICE *****

Clarion Bathware reserves the right to change the design and/or dimensions of its products at any time. This drawing may have been updated since this publication was issued. Before placing an order for any product, refer to our website at www.clarionbathware.com to obtain the most current drawings for any products that you wish to purchase. Compare the date of revision of the drawing that you have with the one on the drawing on our website. If you do not have internet access, please call your sales representative or Clarion Bathware's sales department at 1-800-576-9228.