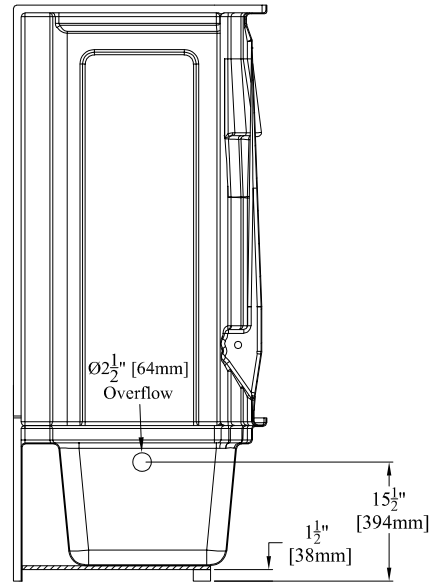
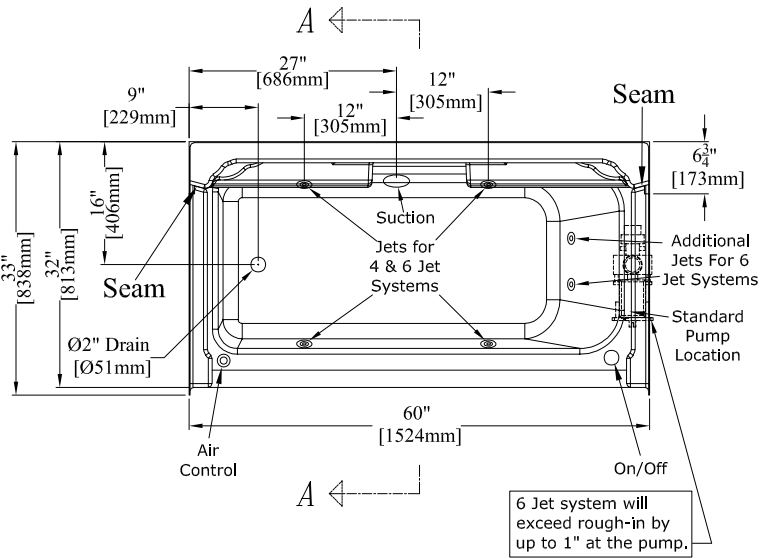


ELEVATION



SECTION "A-A"



PLAN

**60" [1524mm] 4-Piece Tub/Shower
w/ 18" [457mm] Apron, Left or Right Hand Drain,
& 4 or 6 Jet Whirlpool Package**

Left Hand Version (4T10LT:4 or 4T10LT:6) Shown

PRODUCT SPECIFICATIONS:

- When installing this whirlpool, an access area should be provided near the location of the whirlpool pump for future access. An access area is required by many local, state, & federal building codes.
- Recommended Access Area Dimensions: W-20" [508mm]
H-15" [381mm]
- Certified to meet CSA B45.5/IAPMO Z124 Standard.
- Product has a Class B fire rating as determined by ASTM E-84 test method.
- Special installation instructions for this unit must be followed carefully.
- Some whirlpool and bubble-jet configurations may cause this product to exceed the rough-in dimensions illustrated.
- Reinforced & slip resistant floor.
- Molded shelving on back wall
- Integral 1" [25mm] nailing flange.
- Factory installed 1" [25mm] acrylic towel bar.
- Factory drilled 2 1/2" [64mm] overflow.
- Door Opening: W-54" [1372mm]
H-56" [1422mm]
- Bathwell Dimensions (At Top): W-52 1/4" [1327mm]
D-22 3/4" [578mm]
H-15 3/4" [400mm]
- Bathwell Dimensions (At Bottom): W-42" [1067mm]
D-18 3/4" [476mm]
- Bathwell Capacity (At Overflow): 43gal. [163L]
- Water Level (At Overflow): 12" [305mm]
- This unit is available without an overflow model becomes (4T10LTM:4, 4T10LTM:6, 4T10RTM:4, or 4T10RTM:6).
- All dimensions +/- 1/2" [12.8mm]
- Clarion Bathware reserves the right to change design and/or dimensions.
- Dimensions are the same for all other versions of this model.

4T10LT:4, 4T10LT:6, 4T10RT:4, or 4T10RT:6

**60" [1524mm] 4-Piece Tub/Shower w/ 18" [457mm] Apron, Left or Right Hand Drain,
& 4 or 6 Jet Whirlpool Package**

Clarion
BATHWARE
44 Amsler Ave.
Shipperville, PA 16254

Phone: (814) 226-5374
Toll Free: (800) 576-9228
Fax: (814) 226-0730
www.clarionbathware.com

Signatures For Approval:

Customer: _____
Arch./Engr: _____

Quote #: _____
Job Name: _____

Date: _____

Dwg. #
4T10LT or RT
-4&6 JET CUT

Dwg. By: NMH
DATE: 2/11/2022

***** IMPORTANT NOTICE *****

Clarion Bathware reserves the right to change the design and/or dimensions of its products at any time. This drawing may have been updated since this publication was issued. Before placing an order for any product, refer to our website at www.clarionbathware.com to obtain the most current drawings for any products that you wish to purchase. Compare the date of revision of the drawing that you have with the one on the drawing on our website. If you do not have internet access, please call your sales representative or Clarion Bathware's sales department at 1-800-576-9228.