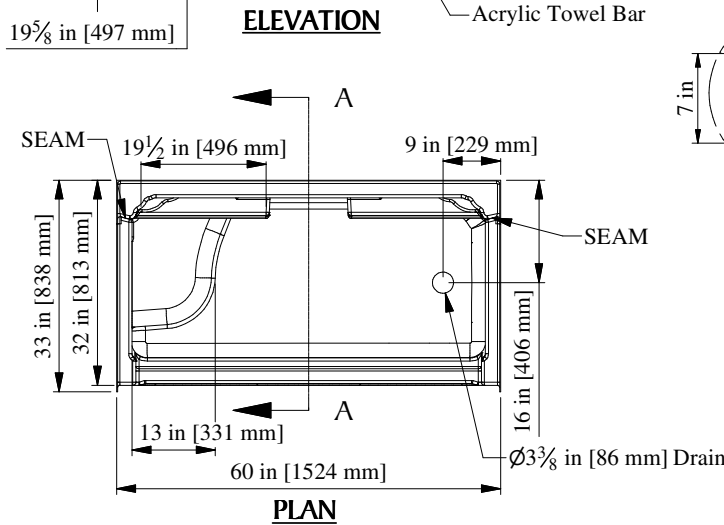
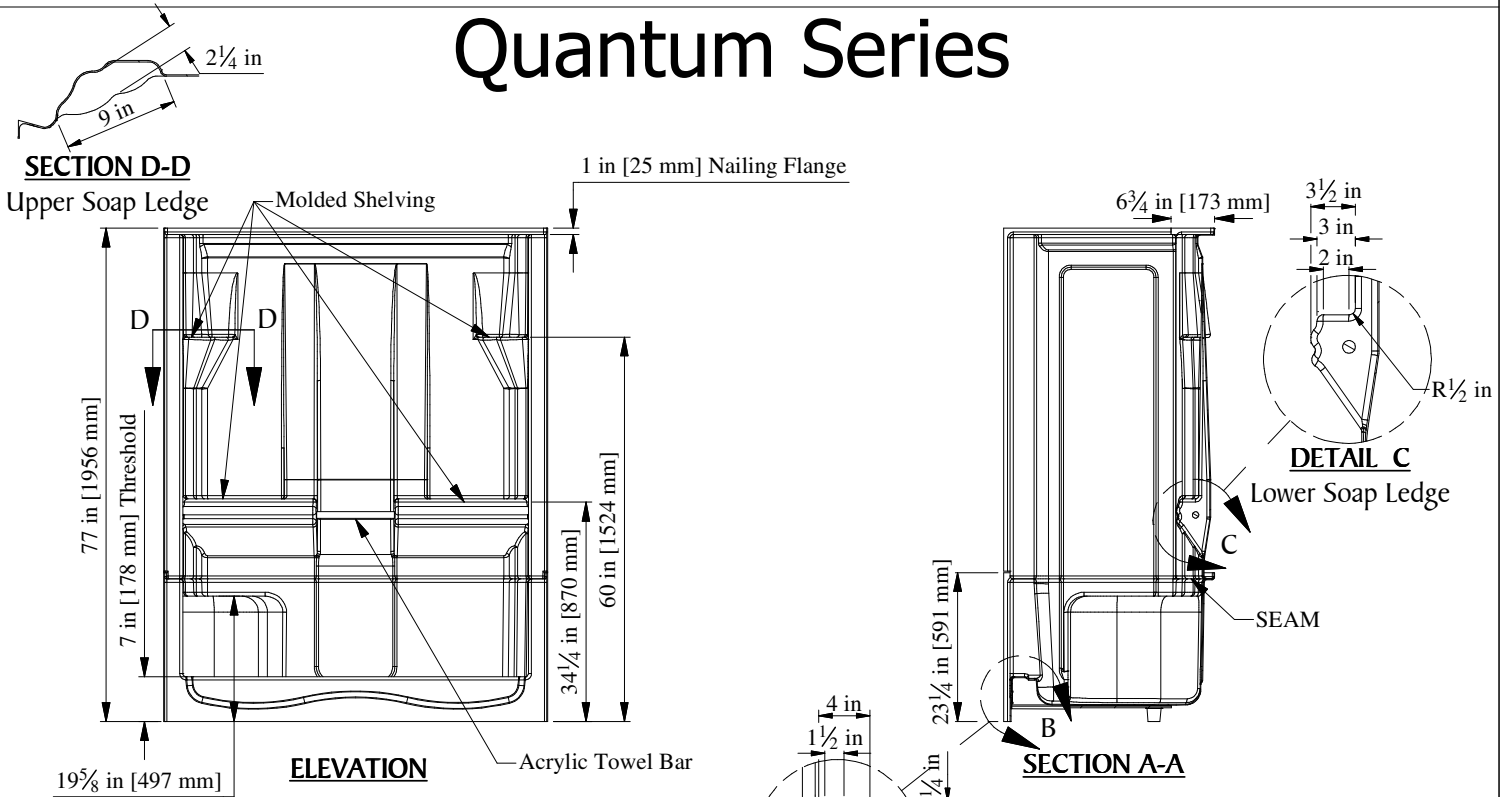
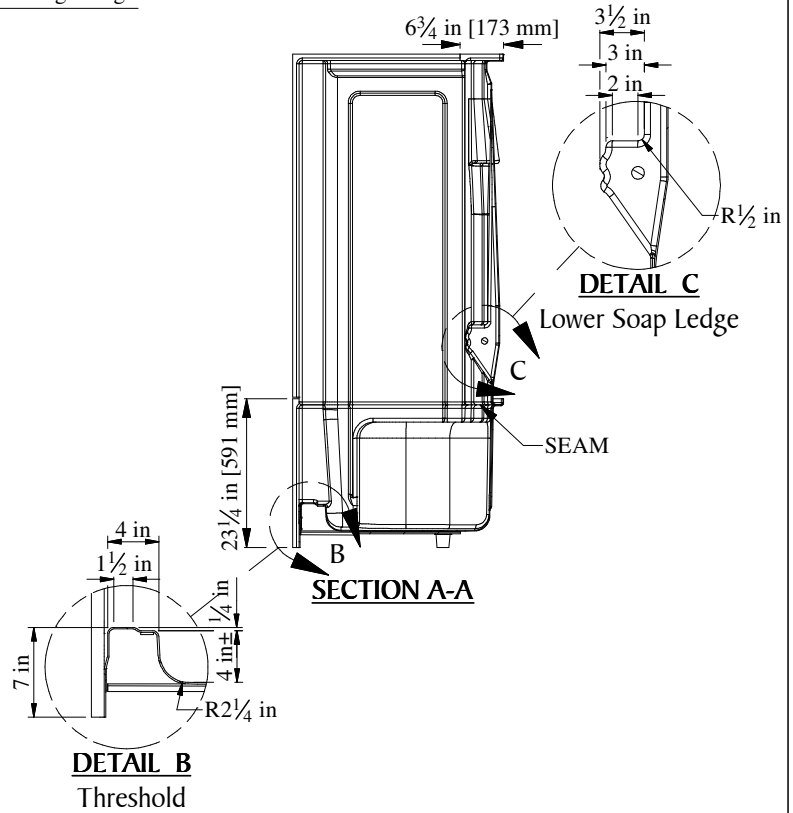


Quantum Series



PLAN
60" [1524mm] 4-Piece Shower
w/ 7" [178mm] Threshold, Molded Shelving,
& Molded Seat

Right Hand Version (4S10RT/S) Shown



PRODUCT SPECIFICATIONS:

- Certified to meet CSA B45.5/IAPMO Z124 Standard.
- Special installation instructions for this unit must be followed carefully.
- Reinforced & slip resistant floor.
- Molded shelving on back wall.
- Molded seat approx. 13"W x 20"D x 16"H
- Factory installed 1" [25mm] clear acrylic towel bar.
- Integral 1" [25mm] nailing flange.
- Door Opening: W-53-3/4" [1365mm] x H-68 1/2" [1727mm]
- All dimensions +/- 1/2" [12.8mm]
- Clarion Bathware reserves the right to change design and/or dimensions.
- Dimensions are the same for all other versions of this model.

4S10LT/S or 4S10RT/S

60" [1524mm] 4-Piece Shower w/ 7" [177mm] Threshold, Left or Right Hand Drain, Molded Shelving, & Molded Seat

Clarion
BATHWARE
44 Amsler Ave.
Shippensburg, PA 16254

Phone: (814) 226-5374
Toll Free: (800) 576-9228
Fax: (814) 226-0730
www.clarionbathware.com

Signatures For Approval:

Customer: _____
Arch./Engr: _____

Date: _____

DWG. #
4S10LTS or RTS -CUT

Quote #: _____
Job Name: _____

By: NMH
Date: 5/10/2022