



*Water Heater Repair Parts • Range Replacement Parts
RV & Marine Fresh Water Antifreeze • Windshield Washer Fluid*



Aftermarket Specialists
Plumbing & Hardware

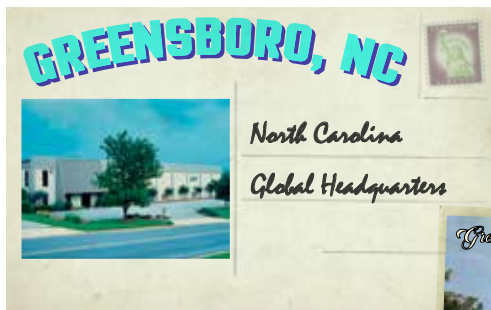
Universal Replacement Parts

Aftermarket Specialists

About Camco

Camco started in 1966 with one product and one employee. Don Caine and his wife Teresa, his one employee, mixed the antifreeze by hand in a 55 gallon drum with a big two by four plank. Lots of hard work, love and dedication have made Camco into the business it is today. Competitive pricing, superior service, quality products and customer satisfaction are the foundations upon which Camco operates.

Camco has always held a commitment to its employees and its country. It boasts over 1000 employees and five separate manufacturing facilities in the United States, where it creates and assembles many of its 4,000+ products. By working with inventors, entrepreneurs and small businesses, Camco has been able to bring and keep products in the market. Camco takes pride in meeting the ever changing demands of a challenging marketplace while maintaining its strong reputation of quality products and customer satisfaction.



Contents

New Products	2
Currituck Products	3
FAQ	4
WATER HEATER PARTS	
Elements	6
Repair	9
Thermostats	10
Gas Parts & Accessories	13
Connectors & Kits	14
T & P Valves, Heat Traps & Element Wrenches	15
Anode Rods & Accessories	16
Drain Valves & Water Hoses	17
Drain Pans & Fittings	18
Water Heater Construction Diagram	20
Washing Machine Drain Pans	21
OVEN/RANGE PARTS	
Electric Burners & Accessories	22
Pans, Bowls & Knob Kits	23
Bake & Broil Elements	24
Propane Campfires	26
Gas Matches and Sparkers	27
LIQUIDS PRODUCTS	
Fresh Water Antifreeze & Boiler System Antifreeze	28
Fire Sprinkler System & Windshield Washer Fluid	29
OTHER	
Bulk Parts Program	30
Retail Displays	32
Index	37

Online Troubleshooting Manual

Download from www.camco.net

For Water Heaters

This Troubleshooting Manual assists the end user in basic troubleshooting and repairs by helping to identify the problem and choose appropriate replacement parts.

70040 Water Heater Troubleshooting Manual



New Products

Tankless Elements

1" NPS thread screw-in style universal replacement elements for EcoSmart® electric tankless water heaters. 9000w/240V element is compatible with ECO 18, ECO 27, and ECO 36 models. 3500W/120V element is compatible with ECO POU 3.5

02133, 02173

Page 8



Marathon Element

1-1/2" – 12 UNF thread screw-in style universal replacement elements for the Rheem® manufactured Marathon® water heaters. The upper element sheath is made of copper tubing with a brass hex bushing and contains a thermal fuse to protect the water heater from damage due to a dry-fired element. The lower element sheath is made of high performance nickel-chromium stainless steel alloy tubing with a brass hex bushing. Instructions and gasket are included. UL listed. 5-year limited warranties on upper and lower elements.

02112, 02113, 02122, 02123

Page 8



Element Wrench - Dual Headed

Use to remove both residential standard and Marathon® elements. Dual-sided to fit all standard 1-1/2" and 1-7/8" screw-in element hex heads. Works with your screwdriver (not included) for increased leverage. 5" length.

09888, 09889 (Bulk)

Page 15



Dishwasher Drain Pan

Camco's Dishwasher Drain Pan can help save the cost of expensive repairs by alerting the homeowner to dishwasher leaks that would otherwise go undetected. It is designed to guide water to the front of the pan so that it can be seen before any water damage has occurred.

20600 - 24" x 20.5" OD, white

Page 21



Coolers—Extreme durability • Knuckle saving handle stops • Fully sealing, freezer-grade gasket • Included Storage Tray • Made in the USA

Stock #	Description	Qty
51700	Cooler - 50 qt - White/Gray	1
51701	Cooler - 50 qt - White/Cyan	1
51702	Cooler - 50 qt - Cyan/Gray	1
51703	Cooler - 50 qt - Gray/Magenta	1
51704	Cooler - 50 qt - Olive/Orange	1
51710	Cooler - 30 qt - White/Gray	1
51711	Cooler - 30 qt - White/Cyan	1
51712	Cooler - 30 qt - Cyan/Gray	1
51713	Cooler - 30 qt - Gray/Magenta	1
51714	Cooler - 30 qt - Olive/Orange	1

Cooler Accessories

51978	Cold Pack - Small 6-1/4" x 5-3/4"	4
51979	Cold Pack - Medium 8" x 5-3/4"	4
51980	Cold Pack - Large 8" x 11-1/2"	4
51790	Rod Holder	4
51791	Cup Holder	4
51792	Divider - 30 qt	4
51793	Divider - 50 qt	4
51794	Cutting Board - 30 qt	4
51795	Cutting Board - 50 qt	4

Stainless Steel Bottles—Extreme durability • Double-wall vacuum insulation • Convenient and easy to carry • Standard or wide mouth • Superior ice and heat retention

51935	SS Bottle - 12 oz - Standard Mouth - Orange	4
51936	SS Bottle - 12 oz - Standard Mouth - Raspberry	4
51937	SS Bottle - 12 oz - Standard Mouth - Seafoam	4
51938	SS Bottle - 12 oz - Standard Mouth - Charcoal	4
51988	SS Bottle - 12 oz - Standard Mouth - Stainless Steel	4
51939	SS Bottle - 20 oz - Standard Mouth - Orange	4
51940	SS Bottle - 20 oz - Standard Mouth - Raspberry	4
51941	SS Bottle - 20 oz - Standard Mouth - Seafoam	4
51942	SS Bottle - 20 oz - Standard Mouth - Charcoal	4
51987	SS Bottle - 20 oz - Standard Mouth - Stainless Steel	4
51943	SS Bottle - 24 oz - Wide Mouth - Orange	4
51944	SS Bottle - 24 oz - Wide Mouth - Raspberry	4
51945	SS Bottle - 24 oz - Wide Mouth - Seafoam	4
51946	SS Bottle - 24 oz - Wide Mouth - Charcoal	4
51986	SS Bottle - 24 oz - Wide Mouth - Stainless Steel	4
51947	SS Bottle - 36 oz - Wide Mouth - Orange	4
51948	SS Bottle - 36 oz - Wide Mouth - Raspberry	4
51949	SS Bottle - 36 oz - Wide Mouth - Seafoam	4
51950	SS Bottle - 36 oz - Wide Mouth - Charcoal	4
51985	SS Bottle - 36 oz - Wide Mouth - Stainless Steel	4
51956	SS Growler - 64 oz - Stainless Steel	4

Stainless Steel Food Containers

51927	SS Food Container - 12 oz - Orange	4
51928	SS Food Container - 12 oz - Seafoam	4
51929	SS Food Container - 12 oz - Raspberry	4
51930	SS Food Container - 12 oz - Charcoal	4
51957	SS Food Container - 12 oz - Stainless Steel	4
51931	SS Food Container - 18 oz - Orange	4
51932	SS Food Container - 18 oz - Seafoam	4
51933	SS Food Container - 18 oz - Raspberry	4
51934	SS Food Container - 18 oz - Charcoal	4
51989	SS Food Container - 18 oz - Stainless Steel	4

Stainless Steel Tumblers—Extreme durability • Double-wall vacuum insulation • Convenient and easy to carry

51860	SS Tumbler - 12 oz - w/ BPA Free Tritan Embossed Slider Lid	12
51861	SS Tumbler - 20 oz - w/ BPA Free Tritan Embossed Slider Lid	12
51862	SS Tumbler - 30 oz - w/ BPA Free Tritan Embossed Slider Lid	12
51863	SS Curricoozie Can Holder	12

Tumbler Accessories

51848	BPA Free Tritan Embossed Slider Lid - 12 & 20 oz	6
51849	BPA Free Tritan Embossed Slider Lid - 30 oz	6
51919	Tumbler Handle - 20 oz - Black	4
51920	Tumbler Handle - 20 oz - Pink	4
51921	Tumbler Handle - 20 oz - Blue	4
51922	Tumbler Handle - 20 oz - Orange	4
51923	Tumbler Handle - 30 oz - Black	4
51924	Tumbler Handle - 30 oz - Pink	4
51925	Tumbler Handle - 30 oz - Blue	4
51926	Tumbler Handle - 30 oz - Orange	4
51969	Tumbler Handle - 12 oz - Black	4
51970	Tumbler Handle - 12 oz - Pink	4
51971	Tumbler Handle - 12 oz - Blue	4
51972	Tumbler Handle - 12 oz - Orange	4



See back cover for more pictures of products.

Frequently Asked Questions

Ordering and credit request instructions:

- Submit purchase orders via e-mail to: plumbingPO@camco.net, or by FAX to 336-668-2049 Attn: Plumbing/Hardware
- Submit order status inquiries to: plumbingPO@camco.net
- Submit all shortage/defective claims or RGA requests via e-mail to plumbingPO@camco.net. Please provide the item numbers and descriptions, reason for credit or RGA request and the PO number or invoice number on which the item(s) was/were originally purchased. Allow six weeks for processing.
- All Liquids orders must be on a separate purchase order. Please fax Liquids orders to: 336-668-2049 Attn: Liquids Dept.
- Submit all inquiries for specials projects/job quotes to: plumbingPO@camco.net; the request will be forwarded to Sales.
- * Please contact the appropriate sales team member for special quotes, or send a request to the customer service email address if you are unsure of whom to contact. A customer service member will make sure that your request gets forwarded to the appropriate individual in a timely manner.
- * When sending requests to the customer service email, you should receive an immediate automated response that your email has been received into this mailbox. If you do not receive this automated response, please contact us immediately, as your request may not have been received properly due to firewalls, system issues, etc. This is imperative if you need immediate assistance or have a purchase order that needs priority handling.

Electric Water Heater Elements

I don't have hot water. How do I determine what is wrong?

Check the breaker or fuse box for a blown fuse or tripped breaker. If this is not the problem, shut off the power to the water heater. (IMPORTANT!) The problem may be caused by a defective or shorted element(s) or thermostat(s) or both. If you are experienced with plumbing and electrical tools, you can do the repairs yourself. If you are at all hesitant, call a plumber or electrician. Camco Mfg. provides a water heater tester (#10023) that lets you test the elements and thermostats while they remain installed on the heater. Instructions are included.

What causes water heater elements to fail, some sooner than others?

Several reasons: power surges, lime buildup and dry-firing. Most water heaters are sold with high watt-density (HWD) elements. These are the least expensive and are the most susceptible to these problems. On a "Standard-Better-Premium" scale, the HWD elements are STANDARD.

Why are some water heater elements folded back?

These are low watt-density (LWD) elements. The heat output (watts) per square inch of surface area is lower than that of a regular element. In order for total heat to be the same, the total surface has been increased. It is folded back so the length will fit the tank. Not all LWD elements are fold-backs. In areas with "hard" water, a LWD element resists lime build-up on its surface, thus extending its life. These elements are BETTER.

What are Lime Life elements?

These elements are PREMIUM. They are made of high-performance nickel-chromium stainless steel and are ultra low watt-density. These features help prevent lime build-up and extend the life of the element. A Lime Life element is resistant to dry-firing. These Lime Life elements carry a limited 5-year warranty. Because of the low watt-density, these elements are folded back to reduce the length. Some are rippled to further reduce the length to fit the diameter of the tank.

What is meant by the term "dry-firing?"

High watt density and low watt-density are designed to function in water. If not surrounded by water, the intense heat they generate (dry fire) will cause them to burn out. The water tank must be full of water whenever the power is on. Dry-fire failure is not covered by any warranty. It is a human error. Dry-fired elements are easily detected. The element is soft and easily bent. In most cases, a hole is burned through the surface.

Can I replace the element in my water heater with higher wattage elements?

It is not recommended. The water heater is designed for that element size. Higher wattage might require heavier gauge wire and a larger capacity circuit breaker.

Can I use a water heater element in an application other than a water heater?

It is not recommended. These elements are designed specifically for residential water heaters. We have no experience or knowledge of other uses. You may do so at your own risk. Non-water heater use of our elements and thermostats voids all warranties. The only exception to this is homebrew elements which have a 1 year warranty for non-water heater use.

I just installed a water heater element and now my heater makes a humming sound.

This is called a "harmonic." If the element is installed so that the loop is horizontal, the vibration from the electric current will cause the element to hum. This noise can be prevented by installing so that the loop is vertical. The flanged elements have markings on the flange, indicating the vertical position of the loop. Screw-in elements also have the vertical position marked; to eliminate the humming on screw-in elements, tighten the element another half turn. In some instances, less than a half turn will stop the harmonic.

Why aren't the two elements operating simultaneously?

In most residential water heaters, only one element is on at any given time. The lower element does 90% or more of the heating. During periods of heavy use, the upper element switches on (the lower switches off) and heats the upper part of the tank to 120°. It then shuts off, turns on the lower, and it heats the water to the setting of the lower thermostat.

Frequently Asked Questions

Electric Water Heater Thermostats

Are water heater thermostats adjustable?

Most water heater thermostats provided by Camco are adjustable. They are factory set at 120° F. On a two-element water heater, it is not recommended that the upper thermostat be adjusted. If a higher water temperature is desired, adjust the lower to a higher setting. Both may be lowered if a cooler temperature is desired. **Adjusting above 120° F can cause severe burns or death.**

I noticed that there are two styles of water heater thermostats. Are they interchangeable?

Yes, like models of the two thermostat manufacturers are interchangeable. Use caution in selecting the correct model for their position on the heater (upper, lower, single element T-stat). Terminal positions between the brands may not be the same and in some cases, the water heater wiring may need to be extended. When possible, it is recommended to replace with the same brand.

How do I know which thermostat to buy?

A two-element water heater has two thermostats: an upper and a lower. Each must be replaced with a thermostat with the same function: upper for upper, lower for lower. They cannot be interchanged, as they perform specific functions. A single-element water heater has only one thermostat and that is called a "single element thermostat." The upper and lower thermostats for a two-element heater cannot be used on a single-element water heater and vice versa.

Other Miscellaneous Questions

I opened the drain valve and very little water flowed.

You probably have sediment and scale build-up on the bottom of the tank that is blocking the valve. In areas where the water is very "hard" or well water is used, lime build-up can occur. The high heat of the heater elements will cause scale and sediment to coat the elements and settle on the tank bottom. Light build-up of sediment may be removed by attaching a water hose to the drain valve. Drain the tank every 6–12 months; more often if necessary. Important: Turn off power first or it could cause element burn out.

The Temperature and Pressure relief valve has a threaded outlet. What attaches to it?

The T&P valve outlet must have a run-off tube attached to it. Most building codes require a tube that terminates 6" from the floor. If the T&P valve activates, water should flow into a drain or into a water heater pan that is plumbed to a drain. This run-off tube may be metal or plastic. Check local plumbing codes for correct material for your area.

What are dielectric fittings and connectors?

When fittings of unlike metals are joined together (copper with steel, brass with steel, etc.), the faint electrical current that is present in any water pipe system will cause corrosion of the threads in one or both of the fittings and cause leaking. The plastic liner or sleeve in the dielectric fittings and connectors prevents this from happening.

What is an anode rod?

It is a magnesium or aluminum rod inserted in the heater, from the top, in an opening of its own or as part of the outlet nipple. The metal is self-sacrificing (corrodes); this helps protect the tank and elements from corroding. Replacement anode rods are available and easy to install.

Are water heater drain pans necessary?

It depends on the plumbing codes in your area and the location of your water heater. If your heater is in a garage or a non-finished basement where leaking water would flow harmlessly into a drain, a pan is not necessary. However, if the heater is in or above a living space where leaking could cause extensive water damage, it is cheap insurance to protect your home from such an event. Plumbing codes require the use of a drain pan when finished surfaces could sustain damage from a leak.

What type of pan should be used?

Plastic pans should be used with electric water heaters, and metal pans should be used for gas water heaters and can be used with electric water heaters. Codes in some areas require metal pans for all heaters installed in a living space.

What is the purpose of a water heater stand?

A stand is used primarily with gas water heaters when installed in garages and basements where combustible fumes may exist. Gas heaters have an open flame, and tests have shown that placing a gas water heater at least 16" above the floor will offer some protection against combustion of volatile fumes.

Water Heater Element Warranty

Standard and Better Elements – 1 year from purchase date. Premium Elements – 5 years from purchase date.

LIMITED WARRANTY: Camco warrants this product to be free from defects in material and workmanship under normal use and service conditions for 1 year for standard and better elements and 5 years for premium elements from the date of first purchase. Camco's liability is limited solely to the replacement of any defective product returned to us. To the extent allowable by law, Camco makes no other warranty, either expressed or implied, nor assumes any liability for incidental or consequential damages resulting from the use of this product or for breach of warranty of merchantability or fitness for a particular purpose. Submit warranty claims to Camco Manufacturing, 121 Landmark Drive, Greensboro, NC 27409.

Water Heater Elements

Fits most models: • American • A O Smith • Bradford White
 • Craftmaster • General Electric • CS Wood (some models)
 • Kenmore • Lochinvar • Maytag • Mor-Flo • Reliance
 • Rheem • Richmond • Ruud • Sears • State • Whirlpool

Premium - Lime Life Water Heater Elements - Ultra Low Watt Density - Our best immersion elements

UL listed for USA and Canada - 5 year limited warranty (see page 5) Detailed instructions and gasket included with each packaged element



Made with high-performance nickel chromium stainless steel alloy and plated carbon steel bushings/flanges
 Ultra low watt density - Resists dry firing - Best when water has high mineral content - Heats in lime and sand buildup that would burn out ordinary elements

Stock #	Watts @ 240v	Watts @ 208v	Watts @ 120v	Nominal Voltage	Type	Min. Tank Diameter	Case Qty
02853	-	-	1500w	120v	Ultra LWD	9"	12
02903	2500w	2000w	-	240v	Ultra LWD	12"	12
02913	3500w	2500w	-	240v	Ultra LWD	15"	12
02923	4500w	3500w	-	240v	Ultra LWD	15"	6
02933	5500w	4125w	-	240v	Ultra LWD	15"	12

Screw-In Foldback (1" NPS; Fits most screw-in type water heaters.) includes gasket #06822

Stock #	Watts @ 240v	Watts @ 208v	Watts @ 120v	Nominal Voltage	Type	Min. Tank Diameter	Case Qty
02953	4500w	3500w	-	240v	Ultra LWD	15"	6
02963	5500w	4125w	-	240v	Ultra LWD	15"	3

Universal Flange Foldback includes gasket #06882

04943	4500w	3500w	-	240v	Ultra LWD	15"	6
--------------	-------	-------	---	------	-----------	-----	---

Screw-In - Special Order Only

(1" NPS; Fits most screw-in type water heaters) includes gasket #06822

02152	1500w	1125w	-	240v	Ultra LWD	12"	12
02972	6000w	4500w	-	240v	Ultra LWD	24"	12

Screw-In Foldback

Screw-In Ripple Foldback

Universal Flange Foldback

Better - Low Watt Density Elements - 1 year warranty

UL listed for USA and Canada - 1 year limited warranty (see page 3). Detailed instructions and gasket included with each packaged element.

Made with plated copper tubing and plated carbon steel bushings/flanges - Low Watt Density



Stock #	Watts @ 240v	Watts @ 208v	Watts @ 120v	Nominal Voltage	Type	Min. Tank Diameter	Case Qty
02463	-	-	1500w	120v	LWD	10"	12

Screw-In (1" NPS; Fits most screw-in type water heaters) includes gasket #06822

Screw-In Foldback (1" NPS; Fits most screw-in type water heaters) includes gasket #06822

02493	2500w	2000w	-	240v	LWD	10"	12
02523	3500w	2500w	-	240v	LWD	11"	12
02583	4500w	3500w	-	240v	LWD	13"	12
02613	6000w	4500w	-	240v	LWD	17"	12

Flat Flange Foldback includes gasket #06842

04103	4500w	3500w	-	240v	LWD	13"	12
--------------	-------	-------	---	------	-----	-----	----

Universal Flange Foldback includes gasket #06882

04703	4500w	3500w	-	240v	LWD	13"	12
--------------	-------	-------	---	------	-----	-----	----

Screw-In Special Order Only - includes gasket #06822

Stock #	Watts @ 277v	Watts @ 240v	Watts @ 120v	Nominal Voltage	Type	Min. Tank Diameter	Case Qty
04752	2000w	1500w	-	277v	LWD	9"	12
04762	4500w	3380w	-	277v	LWD	15"	12

Screw-In

Screw-In Foldback

Flat Flange Foldback

Universal Flange Foldback

Water Heater Elements

Fits most models: • American • A O Smith • Bradford White
 • Craftmaster • General Electric • GS Wood (some models)
 • Kenmore • Lochinvar • Maytag • Mor-Flo • Reliance
 • Rheem • Richmond • Ruud • Sears • State • Whirlpool



Standard - High Watt Density Elements - 1 year warranty

UL listed for USA and Canada - 1 year limited warranty (see page 5). Detailed instructions and gasket included with each packaged element.

Made with plated copper tubing and plated carbon steel bushings/flanges - High Watt Density

Stock #	Watts @ 240v	Watts @ 208v	Watts @ 120v	Nominal Voltage	Type	Min. Tank Diameter	Case Qty
---------	--------------	--------------	--------------	-----------------	------	--------------------	----------

Screw-In (1" NPS; Fits most screw-in type water heaters.) includes gasket #06822

02483	-	-	1650w	120v	HWD	7.5"	6
02103	-	-	1000w	120v	HWD	8"	12
02143	-	-	1500w	120v	HWD	9"	6
02163	1500w	1200w	-	240v	HWD	9"	12
02183	-	-	1750w	120v	HWD	9"	12
02203	-	-	2000w	120v	HWD	9"	12
02223	2000w	1500w	-	240v	HWD	9"	12
02243	2500w	2000w	-	240v	HWD	10"	12
02263	3000w	2250w	-	240v	HWD	12"	12
02283	3500w	2500w	-	240v	HWD	14"	12
02293	3800w	3000w	-	240v	HWD	15"	12
02303	4000w	3000w	-	240v	HWD	15"	12
02343	4500w	3500w	-	240v	HWD	15"	12
02862	-	5500w	-	208v	HWD	17"	1

Screw-In Foldback (1" NPS; Fits most screw-in type water heaters.) includes gasket #06822

02363	5500w	4125w	-	240v	HWD	11"	12
02643	4500w	3500w	-	240v	HWD	9"	12

Flat Flange includes gasket #06842

03743	-	-	1500w	120v	HWD	9"	12
03923	3500w	2500w	-	240v	HWD	14"	12
03943	4500w	3500w	-	240v	HWD	15"	12

Universal Flange includes gasket #06882

04363	-	-	1500w	120v	HWD	9"	3
04383	1500w	1200w	-	240v	HWD	8"	12
04443	-	-	2000w	120v	HWD	9"	12
04483	2500w	2000w	-	240v	HWD	10"	6
04503	3000w	2250w	-	240v	HWD	12"	12
04523	3500w	2500w	-	240v	HWD	14"	12
04563	4000w	3000w	-	240v	HWD	15"	12
04603	4500w	3500w	-	240v	HWD	15"	6
04643	5500w	4125w	-	240v	HWD	11"	12

Universal Flange Foldback includes gasket #06882

04803	4500w	3500w	-	240v	HWD	9"	12
-------	-------	-------	---	------	-----	----	----

Screw-In - Special Order Only includes gasket #06822

Stock #	Watts @ 480v	Watts @ 277v	Watts @ 240v	Nominal Voltage	Type	Min. Tank Diameter	Case Qty
02382	4500w	-	-	480v	HWD	12"	12
02352	5000w	-	-	480v	HWD	12"	12
02392	6000w	-	-	480v	HWD	14"	12
04732	-	4500w	3380w	277v	HWD	15"	12



Element Conversion Kit

Use a standard screw-in element to replace a flat, universal or round flange element using the Element Conversion Kit.

This adapter kit is intended for use with a screw-in type element.

Stock#	Description	Qty
07223	Universal Adapter Kit	12

07223 contains: (1) 2-1/2" 4-bolt Adapt-a-Flange, (1) Four Hole Gasket, (4) 5/16" -18 Hex Washer-Head Bolts (1) Screw-In Gasket and (1) Thermostat Bracket

07222	2-1/2" 4-Hex Bolt Adapt-A-Flange only	50
-------	---------------------------------------	----

Element Gaskets

Stock #	Description	OD	ID	Thickness	Qty
06822	Screw-In Element Gasket	1.425"	1.225"	0.165"	25
06842	Flat Flange Element Gasket	1.625"	1.1875"	0.50"	25
06882	Universal Flange Element Gasket	1.64"	1.13"	0.35"	25
06902	Four Hole Element Gasket	-	1.5625"	0.0625"	25
07133	Universal Gasket Kit (One each of 06822, 06882, 06902)				12

Water Heater Elements

Marathon Elements

1-1/2" – 12 UNF thread screw-in style universal replacement elements for the Rheem® manufactured Marathon® water heaters. The upper element sheath is made of copper tubing with a brass hex bushing and contains a thermal fuse to protect the water heater from damage due to a dry-fired element. The lower element sheath is made of high performance nickel-chromium stainless steel alloy tubing with a brass hex bushing. Instructions and gasket are included. UL listed. 5-year limited warranties on upper and lower elements.

Stock #	Watts @ 240v	Watts @ 120v	Nominal Voltage	Type	Sheath Length	Case Qty
---------	--------------	--------------	-----------------	------	---------------	----------

Universal Upper Marathon® Element Replacement 5 year limited warranty (see page 5)
Copper w/ thermal fuse – 1-1/2" -12 UNF

02112	4500	1150	240	ULWD	14.1 in.	25 Bulk
02113	4500	1150	240	ULWD	14.1 in.	12 Clam

Universal Lower Marathon® Element Replacement 5 year limited warranty (see page 5)
Incoloy – 1-1/2" -12

02122	4500	1150	240	ULWD	16.5 in.	25 Bulk
02123	4500	1150	240	ULWD	16.5 in.	12 Clam



Instantaneous/Tankless Elements

1" NPS thread screw-in style universal replacement elements for EcoSmart® electric tankless water heaters. 9000w/240V element is compatible with ECO 18, ECO 27, and ECO 36 models. 3500W/120V element is compatible with ECO POU 3.5

Stock #	Watts @ 240v	Watts @ 120v	Nominal Voltage	Type	Sheath Length	Case Qty
---------	--------------	--------------	-----------------	------	---------------	----------

Screw-In Tankless 1 year limited warranty (see page 5)

02133	9000	2300	240	HWD	11.6 in.	12
02173	N/A	3500	120	HWD	5.6 in.	12



Low Watt Density & Ultra Low Watt Density Duron® Elements

1-3/8" – 12 UNF thread screw-in style elements for the State Industries manufactured Duron tank water heaters. Also used in Sears Duron tank water heaters. Each element includes two gaskets.

Stock #	Watts @ 240v	Watts @ 208v	Watts @ 120v	Nominal Voltage	Type	Min. Tank Diameter	Case Qty
---------	--------------	--------------	--------------	-----------------	------	--------------------	----------

Better - Screw-In Foldback 1 year limited warranty (see page 5)

02713	3800	3000	-	240	LWD	13"	12
02723	4500	3500	-	240	LWD	13"	12

Premium - Screw-In Ripple Foldback 5 year limited warranty (see page 5)

02753	4500	3500	-	240	Ultra LWD	15"	6
-------	------	------	---	-----	-----------	-----	---

1-3/8" - 12 UNF Thread
Screw-In Foldback



For the State Industries
manufactured Duron
tank water heaters.
Also used in Sears Duron
tank water heaters.

Premium Ultra Low Watt Density All-Stainless Elements — perfect for home-brewing applications

- Premium Ultra Low Watt Density electric elements help prevent scorching and caramelizing
- Resists dry firing
- High performance nickel-chromium stainless steel alloy
- Stainless steel bushing (1" NPS screw-in)
- 1-year limited warranty for non-water-heater applications
- 5-year limited warranty for water-heater applications

Stock #	Watts @ 240v	Watts @ 208v	Watts @ 120v	Nominal Voltage	Type	Min. Tank Diameter	Case Qty
---------	--------------	--------------	--------------	-----------------	------	--------------------	----------

Screw-In Foldback

02929	4500	3500	-	240	Ultra LWD	15"	25
02935	5500	4125	-	240	Ultra LWD	15"	25

Screw-In Ripple Foldback

02955	4500	3500	-	240	Ultra LWD	15"	25
02965	5500	4125	-	240	Ultra LWD	15"	25



Water Heater Repair

Water Heater Repair Kits

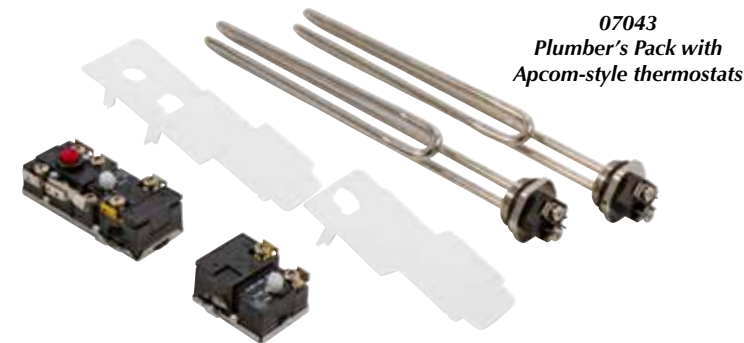
for the DIY or professional plumber

All the parts needed to repair or renew an electric water heater system

Fits most models: • American • A O Smith • Bradford White • Craftmaster • General Electric • GS Wood (some models) • Kenmore • Lochinvar • Maytag • Mor-Flo • Reliance • Rheem • Richmond • Ruud • Sears • State • Whirlpool

Standard - With High Watt Density Elements

Stock #	Description	Qty
07013	Plumber's Pack w/Therm-O-Disc Style T-stats Contains: (2) #02342 High Watt Density Elements 4500w 240v (1) #08122 Therm-O-Disc lower thermostat (1) #08162 Therm-O-Disc upper thermostat	6
07023	Plumber's Pack w/Apcom Style Thermostats Contains: (2) #02342 High Watt Density Elements 4500w 240v (1) #07722 Apcom style lower thermostat w/protector (1) #07862 Apcom style upper thermostat w/protector	6



Better - With Low Watt Density Elements

07033	Plumber's Pack w/Therm-O-Disc Style T-stats Contains: (2) #02582 Low Watt Density Elements 4500w 240v (1) #08122 Therm-O-Disc Lower Thermostat (1) #08162 Therm-O-Disc Upper Thermostat	6
07043	Plumber's Pack w/Apcom Style Thermostats Contains: (2) #02582 Low Watt Density Elements 4500w 240v (1) #07722 Apcom Style Lower Therm. w/ Protector (1) #07862 Apcom Style Upper Therm. w/ Protector	6



Best - With Ultra Low Watt Density Lime-Life Elements

07044	Plumber's Pack w/Apcom Style T-stats Contains: (2) #02922 Ultra Low Watt Density Lime Life Elements 4500w 240v (1) #07722 Apcom Style Lower Therm. w/ Protector (1) #07862 Apcom Style Upper Therm. w/ Protector	6
-------	--	---



Water Heater Element Quick Change

Save time and water! With the patented Camco Water Heater Element Quick Change Tool, there is no need to drain your tank when replacing an element. Simply follow the included instructions and you will have your water heater repaired and operational in a fraction of the time that it takes to drain your tank. The patented Camco collapsible bucket is the perfect item to use in conjunction with this Quick Change tool. Watch the instructional video on YouTube: <https://www.youtube.com/watch?v=VymFv6vVjQI>

09973 Quick-Change Tool Carton Qty: 12

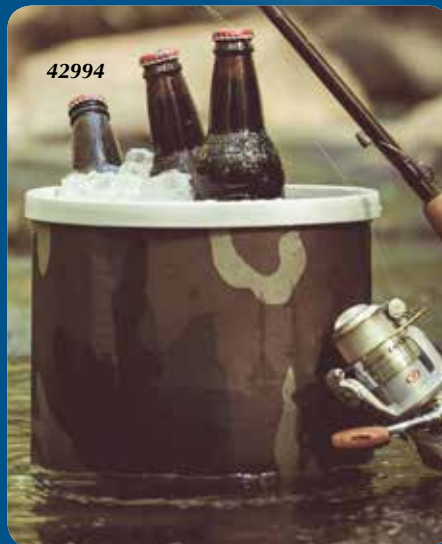
Collapsible Buckets

The perfect size for many around-the-house uses. Also great for RVing, camping, fishing and more. Great for use in tight spaces, under sink drain traps and water heater drain valves. Opens to 9.25 inches and folds down to less than 2 inches for compact storage. Zippered storage bag included.

42993 Blue Bucket Carton Qty: 4
42994 Camouflage Bucket Carton Qty: 4



NO NEED to drain your tank



Water Heater Thermostats

Apcom Style

UL listed for US and Canada • Meets original specification lengths for American, AO Smith, Bradford White, GE, GSW, Kenmore, Maytag, Reliance, Rheem, Richmond, Rudd, Sears, State, and Whirlpool

- Carded thermostats are packed in convenient cut cases and come complete with detailed instructions and wiring diagrams for easy installation
- Built-in safety switch to help prevent overheating
- Energy-efficient range setting
- Apcom thermostats include a plastic terminal protector. All thermostats should have a terminal protector in place before the water heater cover plate is reinstalled.

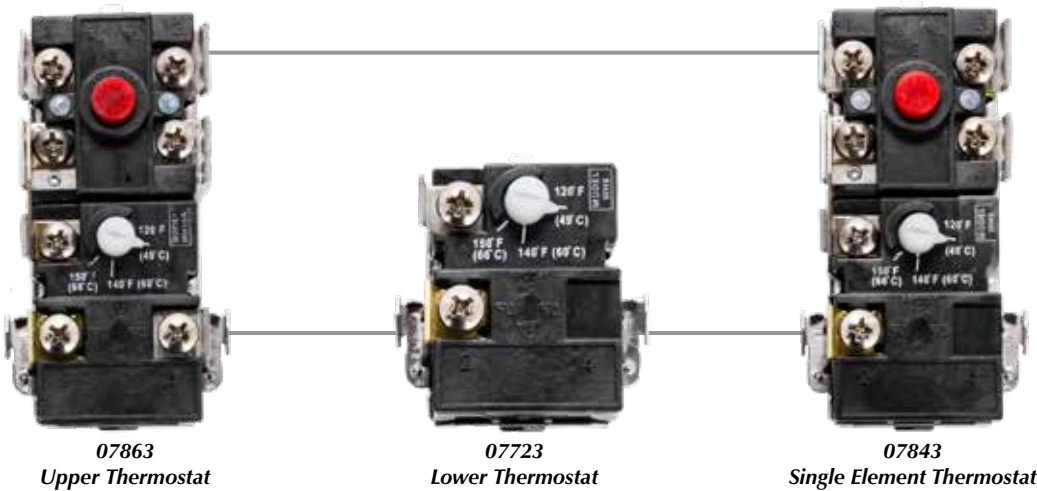
Apcom Style Thermostats

Stock #	Description	Apcom Style	HLC	Terminal Protector	Application Voltage	Qty
07863	Thermostat, Upper	WH10A	Yes	Yes	240/208/120	6
07723	Thermostat, Lower	WH9	-	Yes	240/208/120	6
07843	Thermostat, Single Element	WH9	Yes	Yes	240/208/120	6

Apcom Style Extended Shank

07853	Thermostat, Single Element	WH9	Yes	Yes	240/208/120	12
07733	Thermostat, Lower	WH9	-	Yes	240/208/120	6

HLC = High Limit Control



Stock thermostats that end in 3 are carded. To order items in bulk, change the last digit of the stock number to 2. Minimum order quantity for bulk items is 25.

Apcom Style Settings

Dot = 110°F B = 140°F
Hot = 120°F* C = 150°F
A = 130°F Very Hot = 160°F
* Factory preset at 120° F

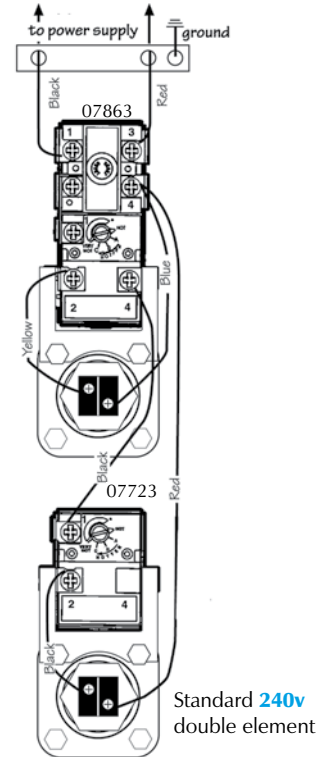


Apcom Style

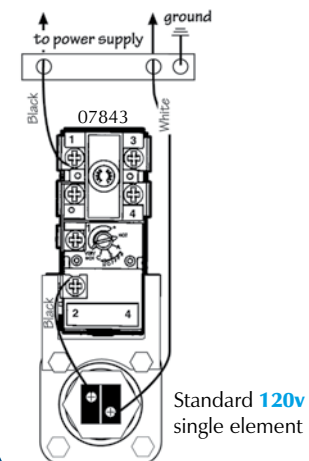
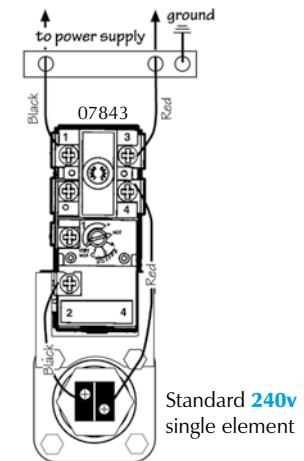
Wiring Diagram of Thermostats to Standard Water Heater Elements

Note: Wire color may vary on some water heaters, but connections remain the same.

Double Element Water Heaters



Single Element Water Heaters



Water Heater Thermostats

Therm-O-Disc Style

CSA listed • UL listed for USA and Canada • Meets original specification lengths for American, AO Smith, Bradford White, Craftmaster, GE, GSW, Kenmore, Maytag, Reliance, Rheem, Richmond, Rudd, Sears, State, and Whirlpool

- Carded thermostats are packed in convenient cut cases and come complete with detailed instructions and wiring diagrams for easy installation
- Built-in safety switch on single and upper thermostats to prevent overheating • Energy efficient range setting

Therm-O-Disc Style Thermostats

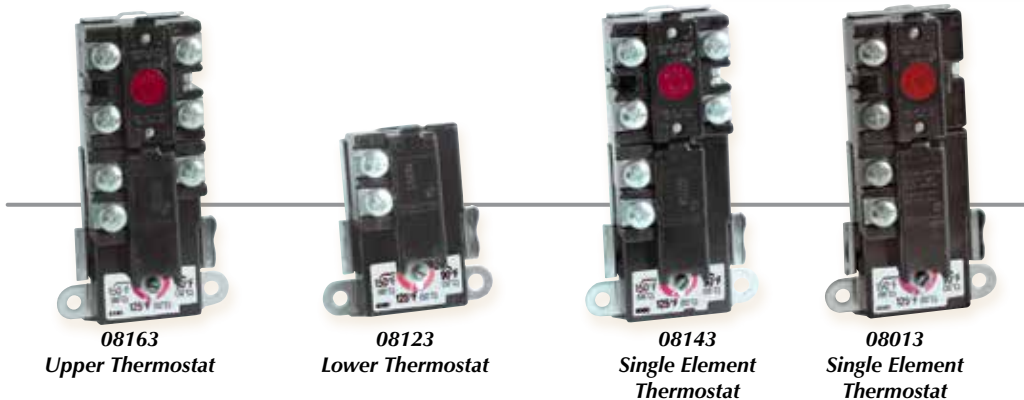
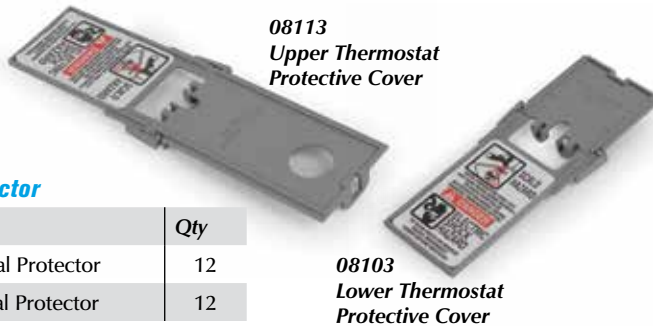
Stock #	Description	Therm-O-Disc Style	HLC	Application Voltage	Qty
08163	Thermostat, Upper	59T/66T	Yes	240/208/277/120/480	12
08123	Thermostat, Lower	59T	-	240/208/277/120/480	12
08143	Thermostat, Single Element	59T/66T	Yes	240/208/277/120/480	12
08013	Thermostat, Single Element 120V	59T/66T	Yes	120	12

HLC = High Limit Control

Therm-O-Disc Style Thermostats do not include a Plastic Terminal Protector. Order 08113 or 08103 if shield is damaged or missing.

Therm-O-Disc Style Terminal Protector

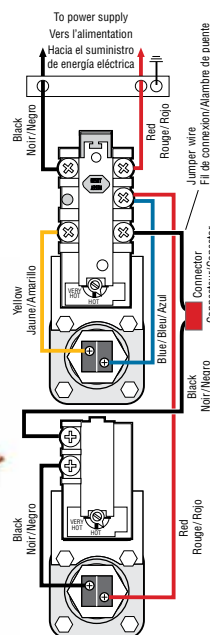
Stock #	Description	Qty
08113	TOD Upper T-Stat Terminal Protector	12
08103	TOD Lower T-Stat Terminal Protector	12



Therm-O-Disc Style Upper/Lower Thermostat Kit with Jumper Wire

- Used when the wire between the upper and lower thermostats is too short
- Includes one upper and lower thermostat (Therm-O-Disc style 59T/66T)
- Includes one 6" long 10 gauge jumper wire and one push wire connector
- Includes 2 thermostat protectors and a thermostat mount bracket
- Most often used with Bradford White water heaters

Stock #	Description	Qty
08130	TOD Upper/Lower Thermostat Kit with Jumper Wire	6

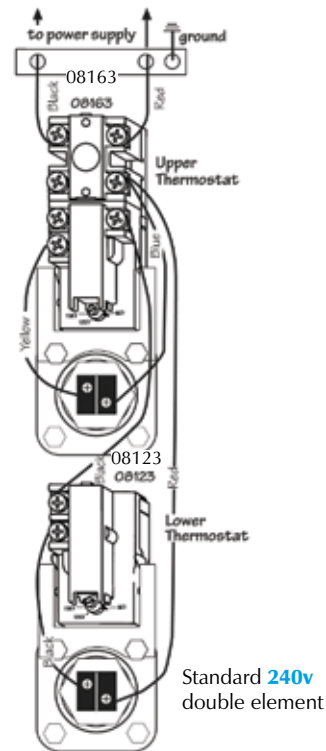


Therm-O-Disc Style

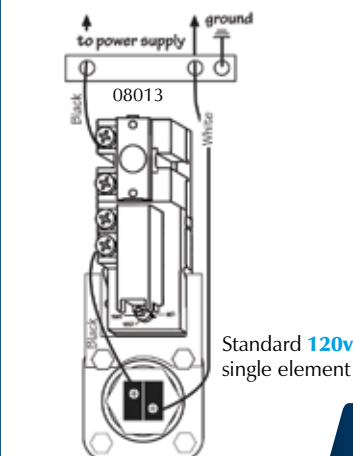
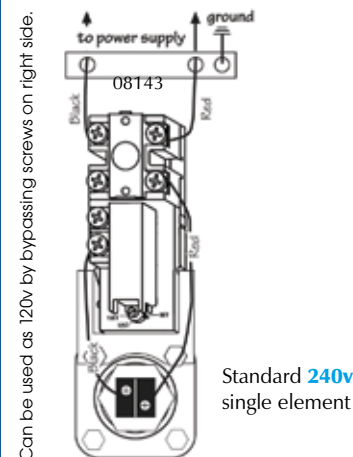
Wiring Diagram of Thermostats to Standard Water Heater Elements

Note: Wire color may vary on some water heaters, but connections remain the same.

Double Element Water Heaters



Single Element Water Heaters



Water Heater Thermostats and Accessories

About Electric Water Heater Thermostats

Double Element Heaters

The majority of residential water heaters are designed with two elements controlled by two different thermostats. The upper thermostat is the "brain" of the water heater. It controls the heat generated by the upper element and it controls power delivered to the lower thermostat. Most residential water heaters are designed to have the upper and lower thermostats work separately.

The upper and the lower thermostats never operate simultaneously. The upper thermostat has a safety device attached to it called a High Limit Control (HLC). It has a heat sensor that will shut down the power to the heater if the temperature of the tank exceeds safety limits. The button may be reset to restore power to the heater. **Do not reset the HLC until the problem causing the unit to trip is corrected.**

Operation Cycle of Double Element Heaters

1. The upper thermostat senses cold water and has energized the upper element. Although contacts on both thermostats are normally closed in response to the cold water, the double-throw upper thermostat completes the circuit only to the upper heating element. Because of the double throw action, power to the lower thermostat is cut off.
2. As the upper element operates, it heats the water above it (approximately one quarter of the tank's capacity).
3. The water in the upper quarter of the tank is heated until it reaches the temperature set on the upper thermostat. The upper thermostat then breaks the circuit to the upper heating element and completes the circuit to the lower thermostat.
4. The lower element then operates and heats the remainder of the water in the tank.
5. The lower thermostat breaks the circuit to the lower element when the water in the lower portion of the tank has been heated to its setting. The entire tank is now filled with hot water.
6. As hot water is drawn from the top of the tank, cool water is delivered to the bottom of the tank through the dip tube. The lower thermostat reacts to the entering cold water by closing its contacts, energizing the lower heating element and heating the water as it enters the tank.
7. Thermostats are factory preset at 120° F.

Single Element Heaters (with high limit)

Most of the smaller water heaters and point-of-use heaters are designed with only one element and thus only one thermostat. Most of the single element water heaters are wired for 120v. Never connect or adapt a 120v water heater to a 240v system.

The high limit control is located on the thermostat. (See diagrams for proper wiring.)

NOTE: Because the HLC is attached to the single element thermostat, it looks similar to an upper thermostat for a two-element heater. Care should be taken in choosing the correct replacement thermostat. An upper thermostat will not work on a single element heater.

Therm-O-Disc Commercial Thermostats

Stock #	Description	T-O-D Style	HLC	Application Voltage	Qty
08304	Upper Thermostat - 180° F	59T	Yes	480/240/208/120	6
08314	Lower Thermostat -180° F	59T	-	480/240/208/120	6

HLC = High Limit Control

For Commercial Use Only

UL Listed

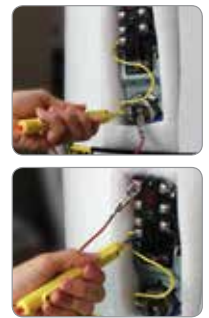
These thermostats are for commercial use only; not to be used in a domestic setting.

Therm-O-Disc Style Thermostats are not supplied with a Protective Shield. Order 08113 or 08103 (page 11) if shield is damaged or missing.



Water Heater Continuity Tester

Tests elements and thermostats while they are in the heater. May also be used to test continuity in fluorescent lights, fuses and all appliances. Sensitive enough to measure even the fine filament wire in a light bulb. Sensitive LED light indicates continuity. More useful than a circuit tester. Complete instructions and batteries included.



Stock #	Description	Case Qty
10023	Water Heater Continuity Tester	12

10023 Water Heater Tester



Gas Leak Testing

Gas Leak Detector

Safe, clean-drying gas leak detector fluid detects dangerous leaks in anything that can be tested with air or gas pressure. Just daub or spray on and look for bubbles.

Stock#	Description	Qty
10322	Gas Leak Detector 32 oz w/sprayer	4
10324	Gas Leak Detector 8 oz w/sprayer	6
10325	Gas Leak Detector 8 oz w/dauber	6
10367	Gas Leak Detector gallon	6
10368	Gas Leak Detector (55 gallon)	1

Gas Leak Detector



10325 10324 10322

Gas Pressure Test Kit

Tests LP and natural gas controls for correct pressure or leaks. 0-20 oz PSI on inner reading; 0-35" of water column on outer reading. Easy to use and read with 2.5" dial. Includes brass pressure tap fitting and 30" soft hose.

10389	Gas Pressure Test Kit	1
10399	GP Test Kit Tapered Rubber Nipple	1
10409	Gas Pressure Test Kit Hose - 36"	1

10389 Gas Pressure Test Kit



Gas Water Heater Parts & Accessories

Thermocouples

Kits contain thermocouple and positioning adapters to fit most gas water heaters as well as gas appliances. Made with copper tubing. For right-hand threads only.

Stock#	Description	Qty	Stock#	Description	Qty
09253	12" Thermocouple Kit	6	09272	18" Bagged Thermocouple Kit	6
09273	18" Thermocouple Kit	6	09291	24" Bagged Thermocouple Kit	6
09293	24" Thermocouple Kit	6	09312	30" Bagged Thermocouple Kit	6
09313	30" Thermocouple Kit	6	09331	36" Bagged Thermocouple Kit	6
09333	36" Thermocouple Kit	6	09352	48" Bagged Thermocouple Kit	6
09353	48" Thermocouple Kit	6			



09333

36" Thermocouple Kit

See page 30
for Bulk Parts Purchasing Program list

Natural Gas Controls

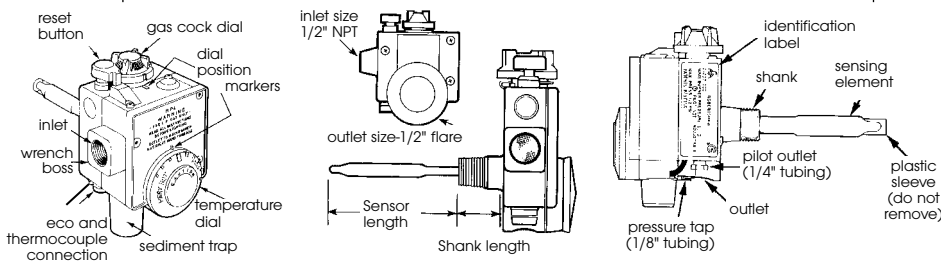
- 4" water column • 1-1/4" shank length • 1/2" NPT gas inlet by 1/2" inverted flare outlet
- Adjustable from 70° F to 160° F

Stock#	Brand	Rating	Qty
08401	White-Rodgers	42000 BTU	1
08421	Robertshaw	79000 BTU	1

LP Gas Controls

- 1/2" NPT gas inlet by 1/2" inverted flare outlet • Preset 10" water column - adjustable from 9" to 12" • 1-5/8" shank length • Adjustable from 120° F to 160° F • 100,000 BTU/HR

08461 (Left Hand Threads) Robertshaw (for heaters manufactured after January 1986) 1



08401
Natural Gas



08421
Natural Gas



08461
LP Gas

Gasket Replacement Kit (FVIR)

Fits Richmond, Rheem, Ruud, Vanguard and General Electric brand water heaters. Kits contain burner access door gasket, #20 Torx-head tool, four torx-head screws, and four J-style clip-on nuts. Kit 09294 also includes a 24" thermocouple.

Stock#	Description	Qty
09294	Thermocouple Install Kit	6

Gas Control Extender

- Adds shank length to gas controls • 2" overall length • 3/4" Male NPT x 3/4" Female NPT • Dielectric construction • Thermoplastic lining prevents corrosion

09072	Gas Control Extender	50
-------	----------------------	----

Universal Gas Control Wrench

For simple installation and removal of gas controls. Adjustable with positive-lock screw.

09963	Gas Control Wrench	2
-------	--------------------	---

Gas Water Heater Stands

Many local building codes require a water heater stand for gas water heaters located in areas where the accumulation of combustible fumes may occur. Constructed of galvanized steel. Minimal assembly required. Each stand is 18" high. For use with most residential water heaters.

11231	21" x 21" - For up to a 50 gal tank Holds up to 650 lb	1
11235	24" x 24" - For up to a 100 gal tank Holds up to 1200 lb	1



11235
Gas Water Heater
Stand

Water Heater Connectors & Kits

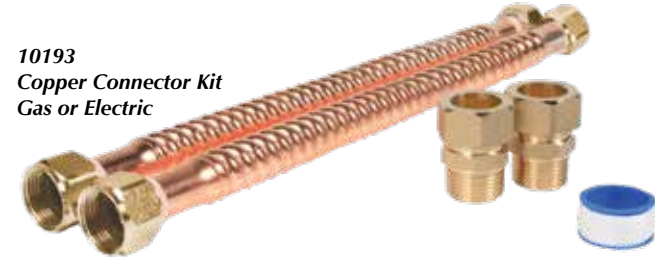
3/4" Water Heater Connector Kits

Stock #	Description	Qty
10183	15" Copper Connector Kit - Gas	6
10193	15" Copper Connector Kit - Gas or Electric	6
10223	15" x 3/4" Copper Connector Kit - Gas or Electric	6
10533	18" x 3/4" Copper Connector Kit - Gas or Electric	6



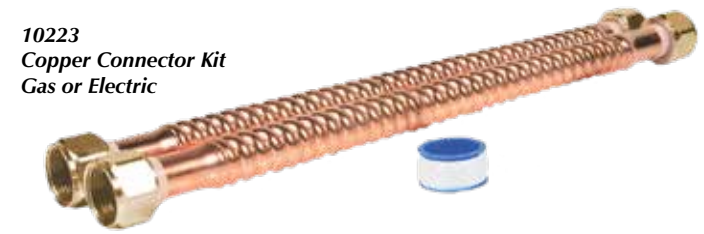
10183
Copper Connector Kit
Gas

Use...	For Water Heater Installation/Replacement of...
10183	GAS where "cold" supply or "hot" distribution lines are 3/4" copper (i.e. not threaded) and codes allow use of Flexible Gas Connector.
10223	GAS or ELECTRIC where "cold" supply and "hot" distribution lines are threaded and Flexible Gas Connector is not needed or allowed by codes.
10193 10533	GAS or ELECTRIC where "cold" supply or "hot" distribution lines are 3/4" copper (i.e. not threaded) and Flexible Gas Connector is not needed or not allowed by codes.



10193
Copper Connector Kit
Gas or Electric

Kit Contains:	Gas		Gas or Electric	
	10183	10193	10223	10533
(2) Copper Flexible Water Connectors, 3/4" FIP	✓	✓	✓	✓
(1) Roll Teflon Tape	✓	✓	✓	✓
(2) Compression Fittings, 3/4" Compression x 3/4" Male NPT	✓	✓		✓
(1) Stainless Steel Gas Connector, 1/2" OD x 24" 1/2" M X F (Tapped 3/8" Female NPT)	✓			



10223
Copper Connector Kit
Gas or Electric

Compression Fittings

Stock#	Description	Qty
10196	3/4" Compression x 3/4" NPT Fitting	6
10205	1/2" Compression x 3/4" NPT Fitting	6

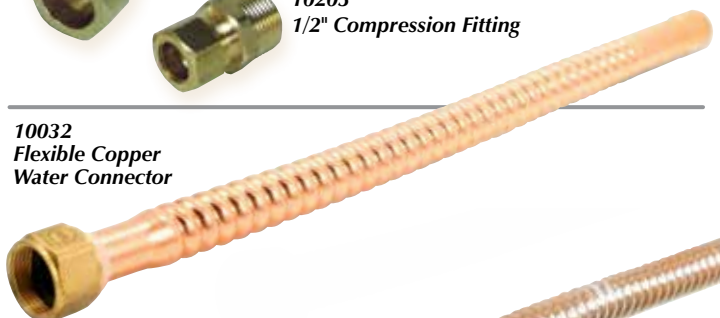


10196
3/4" Compression Fitting

10205
1/2" Compression Fitting

Flexible Water Connectors—Seamless Corrugated Copper

3/4" SWT x 3/4" FIP - 7/8" ID flexible water connectors -125 PSI maximum		
10032	18" x 3/4" Copper FIP x SWT	25
10045	12" x 3/4" Copper FIP x SWT	25
10055	15" x 3/4" Copper FIP x SWT	25
10085	24" x 3/4" Copper FIP x SWT	25



10032
Flexible Copper
Water Connector

3/4" FIP x 3/4" FIP flexible water connectors -125 PSI maximum		
10043	12" Copper Water Connector - Card	12
10053	15" Copper Water Connector - Card	12
10063	18" Copper Water Connector - Card	12
10083	24" Copper Water Connector - Card	12



10063
Flexible Copper
Water Connector

Flexible Water Connectors—Corrugated Stainless Steel

3/4" FIP x 3/4" FIP flexible water connectors-125 PSI maximum		
10735	15" Stainless Water Connector	25
10747	18" Stainless Water Connector	12
10755	24" Stainless Water Connector	12
10072	Washer For Water Connectors - Bulk	25



10747
Stainless Steel
Water Connector

Flexible Gas Connector*

10232	24" x 1/2" OD Stainless Steel, Coated	25
-------	---------------------------------------	----

*Gas connectors are certified for household use to 1/2 PSI.



10232
Flexible Gas Connector

See page 30 for Bulk Parts Purchasing Program list



Water Heater Accessories

T & P Valves

- Setting of 150 PSI / 210 °F • Stainless steel spring
- All brass body • ANSI Z21.22 Design • CSA certified
- Furnished with test lever • Epoxy coated extension probe

Stock #	Description	Qty
10421	1/2" Inlet/outlet T & P Valve w/ 4" Probe - Box	25
10423	1/2" Inlet/outlet T & P Valve w/ 4" Probe - Card	4
10463	3/4" Inlet/outlet T & P Valve w/ 1" Probe - Card	12
10471	3/4" Inlet/outlet T & P Valve w/ 4" Probe - Box	25
10473	3/4" Inlet/outlet T & P Valve w/ 4" Probe - Card	12
10491	3/4" Inlet/outlet Valve w/ 2-1/2" Shank - Box	25
10493	3/4" Inlet/outlet Valve w/ 2-1/2" Shank - Card	12

Extra-Long Shank T & P Valve

10427	3/4" Inlet/outlet Valve 3/4" w/ 3-5/16" Shank	12
-------	---	----

Lead-Free T & P Valves

10413	1/2" w/ 4" Probe • Lead Free	4
10433	3/4" w/ 1" Probe • Lead Free	12
10443	3/4" w/ 4" Probe • Lead Free	12
10453	3/4" w/ 2-1/2" Shank, 4" Probe • Lead Free	12

T & P Valve Remover

10552	Universal T & P Valve Remover	25
-------	-------------------------------	----

Heat Traps

- Helps prevent heat escape through inlet and outlet while idle
- 3/4" NPT x 3/4" NPT x 3" Length • Self-cleaning fittings help prevent corrosion • Dielectric inert thermoplastic lining

01012	Dielectric Water Heater Heat Traps - Bulk	24
01013	Dielectric Water Heater Heat Traps - 2/card	12
01022	Dielectric Heat Trap - Flapper Style - Bulk	24
01023	Dielectric Heat Trap - Flapper Style - 2/card	12

Extra-Long Heat Traps

01033	Dielectric Water Heater Heat Traps - 5" Long - 2/Card	12
-------	---	----

Dielectric Nipples

For inlet and outlet hook-ups and other uses where dissimilar metals occur in piping and plumbing systems. Thermoplastic lining prevents corrosion. 3/4" NPT x 3/4" NPT x 2-1/2" Length

10622	Dielectric Nipples - 2.5" long - Bulk	50
10623	Dielectric Nipples - 2.5" long - 2/Card	12
10602	Dielectric Nipples - 3" long - Bulk	25

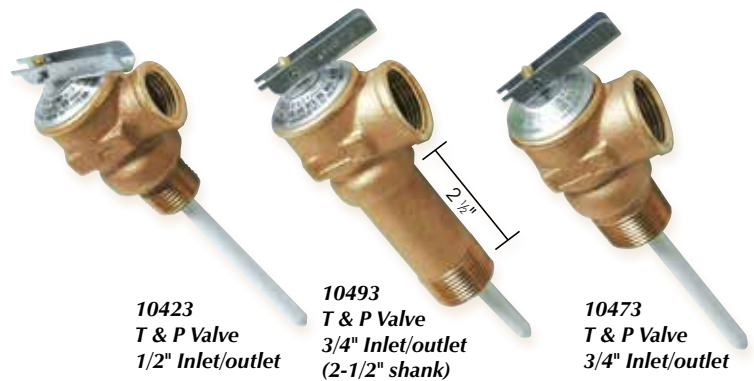
Extra-Long Dielectric Nipples

10634	Dielectric Nipples 3/4" x 3/4" NPT - 5" long	12
-------	--	----

Element Wrenches

- Zinc-plated **Element Wrenches** fit all standard screw-in elements and 1-1/2" nuts • Works with your screwdriver • Goes into offsets where an adjustable wrench cannot

09882	5" Wrench - Bulk	25
09883	5" Wrench - Card	12
09888	5" Dual Headed Wrench For Marathon™ Elements - Card	12
09889	5" Dual Headed Wrench For Marathon™ Elements - Bulk	25
09942	4" Heavy Duty Wrench - Bulk	25
09943	4" Heavy Duty Wrench - Card	12



10427
T & P Valve
3/4" Inlet/outlet with extra-long
3-5/16" shank



01033
Extra-Long
5" Heat Traps



10634
Extra-Long
5" Dielectric
Nipples



10623
Dielectric Nipples

01013
Heat Traps



09943
Element Wrench

09953
Professional
Element Socket

09888
Dual Headed Element Wrench

Element Sockets

Chrome-plated **Professional Element Socket** fits standard 1/2" socket drive to make easy work of replacing screw-in water heater elements

09951	Element Socket - Bulk	6
09953	Element Socket - Clam	6

FOR WATER HEATERS WITH THICKER INSULATION

Anode Rods and Accessories

Runoff Tubes

Thermoplastic polypropylene runoff tubes present rigid surface for gripping with standard wrenches. Can be cut to length.

Stock #	Description	Qty
10862	Side Mount Runoff Tube (58" vertical)	12
10952	Center Top Mount Runoff Tube 12"H/59"V	12
10962	Top Mount Runoff Tube 7.5"H/59"V	12

Water Inlet Dip Tubes

Anti-siphon hole breaks damaging siphon action. Can be cut to length. Gasket sold separately. (#06912)

11062	Flared Dip Tube (52" vertical)	12
11061	Flared Dip Tube (52" vertical) with gasket	12
11162	Threaded Dip Tube (48" vertical)	25
06912	Dip Tube Gaskets - Bag of 25 (Special order only)	1



FOR WATER HEATERS WITH THICKER INSULATION

Runoff Tubes and Dip Tubes for water heaters with thicker insulation

Water Heater parts designed to fit water heaters with thicker insulation resulting from the new NAECA regulations.

10955	Center Top Mount Runoff Tube - 14" H / 59" V	12
10965	Top Mount Runoff Tube - 9.5" H / 59" V	12
11163	50.5" Threaded Dip Tube w/5" Nipple	12



Dielectric Unions

Use wherever dissimilar metals occur in piping and plumbing systems. Use in water heaters, water storage tanks, water conditioners and water pumps. 3/4" FIP x 3/4" SWT

Stock #	Description	Qty
23503	Dielectric Union 3/4" FIP - 2/card	12



Residential Water Heater Anode Rods

11572	5/8" OD Anode Rod 42" Long Aluminum	6
11582	3/4" OD Anode Rod 42" Long Aluminum	6
11611	3/4" OD Anode Rod 42" Long Aluminum Flexible (3 Section) w/ 5" Dielectric Nipple	6
11612	5/8" OD Anode Rod 42" Long Aluminum Flexible (3 Section)	6
11622	3/4" OD Anode Rod 42" Long Aluminum w/Dielectric Nipple	6
11623	3/4" OD Anode Rod 29" Long Aluminum	6

RV & Marine Water Heater Anode Rods (not shown)

11533	1/2" NPT Anode Rod 4-1/2" long Magnesium with Drain - for Atwood water heaters	6
11553	1/2" NPT Anode Rod 4-1/2" long Magnesium for Atwood water heaters	6
11563	3/4" NPT Anode Rod 9-1/2" long Aluminum for Suburban (Mor-Flo) water heaters	6
11593	1/2" NPT Anode Rod 9-1/2" long Magnesium for Atwood 10 Gallon water heaters	6



Drain Valves and Water Hoses

Brass Water Heater Drain Valve w/ Recirculation Elbow

Stock #	Description	Qty
11502	Drain Valve w/ Recirculation Elbow - Bulk	25

Backflow Preventers w/ stainless steel spring 3/4" NPT

23303	1/2" Brass Backflow Preventer - Card	6
23402	3/4" Brass Backflow Preventer - Bulk	25

Water Heater Drain Valves

Permanent installation. Fits directly into water heater for easy draining. 3/4" NPT x 3/4" male hose thread. 2-1/2" long. Brass valves are CSA Low Lead Content Certified.

11512	Drain Valve - Brass - Bulk	25
11513	Drain Valve - Brass - Card	12
11522	Drain Valve - Plastic - Bulk	25
11523	Drain Valve - Plastic - Card	12

Extra Long Shank Water Heater Drain Valves

Water Heater parts designed to fit larger water heaters resulting from the new NAECA regulations

11505	WH Drain Valve - Brass 4-3/8" Shank	12
11543	WH Drain Valve - Plastic 3" Shank	12

Water Pressure Regulators

Reduce water pressure to a safe, consistent 40–50 PSI of operational pressure. Protects equipment and helps prevent hose failure, helping to prolong equipment life. (3/4" M x F Garden Hose Threads) Patented. CSA Low Lead Content Certified.

40143	3/4" Plastic Water Pressure Regulator	6
40055	3/4" Brass Water Pressure Regulator	6

See page 30 for Bulk Parts Purchasing Program list

Heated Drinking Water Hoses with Thermostat

Protects to -20° F

Made with an NSF 61 certified, 5/8" I.D. drinking water safe hose that is BPA, phthalate and lead-free. Won't leach harmful chemicals into water or leave it tasting like plastic. Energy saving thermostat only heats as needed, saving money on your electric bill. Fittings are heavy-duty machined and plated for maximum corrosion resistance and the durable exterior jacket protects water hose and electrical components from damage or exposure. Protects to -20° F. Operates on 120 VAC.

Stock #	Description	Qty
22910	12 ft Heated Drinking Water Hose	1
22911	25 ft Heated Drinking Water Hose	1
22912	50 ft Heated Drinking Water Hose	1



11502
Drain Valve with
Recirculation Elbow



23402
Backflow Preventer



11513
Water Heater Drain Valve - Brass



11505
Water Heater Drain Valve
4-3/8" Shank - Brass



11523
Water Heater
Drain Valve - Plastic



11543
Water Heater Drain Valve
3" Shank - Plastic



40143 Plastic
Water Pressure
Regulator

40055 Brass
Water Pressure
Regulator

Heavy Duty 5/8 inch Contractor Hoses

Rated for hot water up to 100° F

Reinforced, abrasion-resistant hose for hot water use. Easier to clean; drinking water safe. Spring reinforced to reduce kinking. Stainless steel fittings. 10-year limited replacement warranty. 300 PSI burst strength. Available in 25 ft, 50 ft & 100 ft lengths.

Stock #	Description	Qty
22863	25 ft Contractor Hose	3
22873	50 ft Contractor Hose	3
22883	100 ft Contractor Hose	3



Drain Pans and Fittings

All pans on this page include dual-size 1" / 1.5" Drain Pan Fitting

Drain Pans and Fittings

Plastic—For electric water heaters ONLY • Durable no-break polypropylene pans will not rust, corrode or crack • Pre-cut side opening for drain fitting • 1"/1.5" drain fitting included (#11452 PVC or #11442 CPVC)

Stock #	Description	Qty
11260	20" ID Plastic Drain Pan w/PVC Fitting - 2.5+" Deep	6
11266	20" ID Plastic Drain Pan w/CPVC Fitting - 2.5+" Deep	6
11460	22" ID Plastic Drain Pan w/PVC Fitting - 2.5+" Deep	6
11466	22" ID Plastic Drain Pan w/CPVC Fitting - 2.5+" Deep	6
11360	24" ID Plastic Drain Pan w/PVC Fitting - 2.5+" Deep	6
11366	24" ID Plastic Drain Pan w/CPVC Fitting - 2.5+" Deep	6
11400	26" ID Plastic Drain Pan w/PVC Fitting - 2.5+" Deep	6
11406	26" ID Plastic Drain Pan w/CPVC Fitting - 2.5+" Deep	6
11410	28" ID Plastic Drain Pan w/PVC Fitting - 2.5+" Deep	6
11416	28" ID Plastic Drain Pan w/CPVC Fitting - 2.5+" Deep	6
11420	30" ID Plastic Drain Pan w/PVC Fitting - 2.5+" Deep	6
11426	30" ID Plastic Drain Pan w/CPVC Fitting - 2.5+" Deep	6
11427	32" ID Plastic W/H Drain Pan PVC Fitting - 2.5+" Deep	6
11429	32" ID Plastic W/H Drain Pan CPVC Fitting - 2.5+" Deep	6

Plastic Corner Pan—For electric water heaters ONLY • Will not rust, corrode or crack • 1"/1.5" drain fitting included (#11452 PVC or #11442 CPVC)

11480	24" ID Corner Plastic Drain Pan w/PVC Fitting - 3" Deep	6
11486	24" ID Corner Plastic Drain Pan w/CPVC Fitting - 3" Deep	6

Aluminum—For gas or electric water heaters • Will not rust or crack • 1"/1.5" drain fitting included (#11452 PVC or #11442 CPVC) • Pre-cut side opening for drain fitting

20800	20" ID Aluminum Drain Pan w/PVC Fitting - 2.25" Deep	6
20806	20" ID Aluminum Drain Pan w/CPVC Fitting - 2.25" Deep	6
20840	22" ID Aluminum Drain Pan w/PVC Fitting - 2.25" Deep	6
20846	22" ID Aluminum Drain Pan w/CPVC Fitting - 2.25" Deep	6
20830	24" ID Aluminum Drain Pan w/PVC Fitting - 2.25" Deep	6
20836	24" ID Aluminum Drain Pan w/CPVC Fitting - 2.25" Deep	6
20833	24" ID Aluminum Drain Pan w/PVC Fitting - 2.88" Deep	6
20810	26" ID Aluminum Drain Pan w/PVC Fitting - 2.25" Deep	6
20816	26" ID Aluminum Drain Pan w/CPVC Fitting - 2.25" Deep	6
20813	26" ID Aluminum Drain Pan w/PVC Fitting - 2.88" Deep	6
20850	28" ID Aluminum Drain Pan w/PVC Fitting - 2.25" Deep	6
20851	28" ID Aluminum Drain Pan w/CPVC Fitting - 2.25" Deep	6
20860	30" ID Aluminum Drain Pan w/PVC Fitting - 2.25" Deep	6
20866	30" ID Aluminum Drain Pan w/CPVC Fitting - 2.25" Deep	6
20868	32" ID Aluminum W/H Drain Pan PVC Fitting - 2.25" Deep	6
20870	32" ID Aluminum W/H Drain Pan CPVC Fitting - 2.25" Deep	6



All Camco plastic and aluminum water heater pans are recyclable



11360
Plastic Drain Pan



11480
Plastic Corner Drain Pan



20830
Aluminum Drain Pan

Aluminum without drain hole—For gas or electric water heaters • Will not rust or crack • 1"/1.5" drain fitting included (#11452)

20801	20" ID Aluminum Drain Pan w/PVC Fitting - 2.25" Deep	6
20841	22" ID Aluminum Drain Pan w/PVC Fitting - 2.25" Deep	6
20831	24" ID Aluminum Drain Pan w/PVC Fitting - 2.25" Deep	6
20811	26" ID Aluminum Drain Pan w/PVC Fitting - 2.25" Deep	6
20861	30" ID Aluminum Drain Pan w/PVC Fitting - 2.25" Deep	6

NAECA regulations effective April 16th, 2015 have resulted in larger diameter water heaters, requiring the use of larger pans during installation.

Drain Pans and Fittings

Water Heater Drain Pans for Tankless Water Heaters

Drain Pans for Tankless Water Heaters

Stock #	Description	Qty
11470	Plastic - with PVC fitting	6
11476	Plastic - with CPVC fitting	6
11430	Aluminum - with PVC fitting	6
11432	Aluminum - with CPVC fitting	6

The Wall Saver™ allows for easier routine maintenance flushing and helps protect floors and walls from leaks. Made of injection-molded no-break polypropylene; will not rust, corrode or crack. Wall-mounted drain pan fits under most whole-house tankless water heaters and is required by building codes. Recyclable and non-toxic. U.S. Patents 8104634 and D653745. Each pan includes a dual-size 1-inch/1.5-inch drain fitting with gasket.

Plastic: W: 21.5"; H: 16"; D: 13.4"

Aluminum: W: 21.7"; H: 15.3"; D: 11.6"



Drain Pan Fittings

Replacements for all Camco water heater and washing machine drain pans. Includes fitting, locknut and washer.

Stock #	Description	Qty
11442	Drain Pan Fitting Kit Fits 1"/1.5" CPVC	25
11452	Drain Pan Fitting Kit Fits 1"/1.5" PVC	25



Galvanized Square—

For gas or electric heaters. 1"/1.5" drain fitting included

20922	ID 24" x 24" Heater Pan - 4" Deep - Bulk	1
20932	OD 30" x 30" Heater Pan - 6.25" Deep - Bulk	1

20922
Galvanized
Square Pan

Residential Electric Water Heater Construction

Flexible stainless steel or copper connectors — connects to hot and cold water pipe system

Temperature and pressure (T & P) valve — safety device to relieve excessive pressure and/or temperature buildup in tank

Dielectric nipples or heat traps — with thermoplastic lining to help prevent thread corrosion

Cold water inlet — supplies water for heating to the tank

Hot water outlet — water supply to house faucets

Run-off tube — carries water or steam safely to drain or drain pan if T & P valve activates

Anode rod — a rod composed of sacrificial metal to help prevent deterioration of the steel tank and elements by controlling electrolysis

Cold water dip tube — a non-metallic tube that directs incoming cold water to the bottom of the tank

Upper thermostat — turns heating elements on or off to maintain preset or desired temperature; regulates power to the lower thermostat

Steel tank with glass lining — prevents corrosion

Lower thermostat — controls lower heating element to maintain desired temperature

Insulation — helps maintain consistent water temperature

Drain valve — a metal or plastic valve used when draining heater for periodic cleaning or replacement of a defective water heater element

Heating element — a resistant type electrical component to generate heat

Drain pan — plastic or metal pan to collect and drain off leaking water or water from activated T & P valve; must be plumbed to drain

Washing Machine Drain Pans

Standard-Size Washing Machine Drain Pans

- White polypropylene plastic • Will not rust, corrode or crack • Includes 1"/1.5" drain fitting • Bottom or side outlet (not pre-cut) • 1"/1.5" drain can pass all codes • Easy to install • Matte finish • ID 27" x 30" x 2-1/8"

Stock #	Description	Qty
20752	30" x 32" OD Washer Drain Pan - with PVC fitting	6
20756	30" x 32" OD Washer Drain Pan - with CPVC fitting	6

Apartment-Sized Washing Machine Drain Pans

White polypropylene plastic washer drain pan designed and sized for apartment-sized washers. Will not rust, corrode or crack. Includes 1"/1.5" PVC drain fitting Bottom or side outlet (not pre-cut) • 1"/1.5" drain can pass all codes • Easy to install • Matte finish • ID 25 x 27"

20762	28" x 30" OD Washer Drain Pan - 2.25" Deep - Bulk	6
-------	---	---

Low Profile Washing Machine Drain Pans

Polypropylene plastic pan designed and sized especially for a full-size front-loading washer to allow clearance when opening pedestal drawer

- Will not rust, corrode or crack • Includes 1"/1.5" PVC drain fitting • Bottom outlet (not pre-cut) • 1"/1.5" drain can pass all codes • Easy to install • Matte finish ID 29" x 33"

20786	31" x 35" OD Low Profile Drain Pan - 1.6" Deep - White	6
20788	31" x 35" OD Low Profile Drain Pan - 1.6" Deep - Pewter	6

Washing Machine Hoses

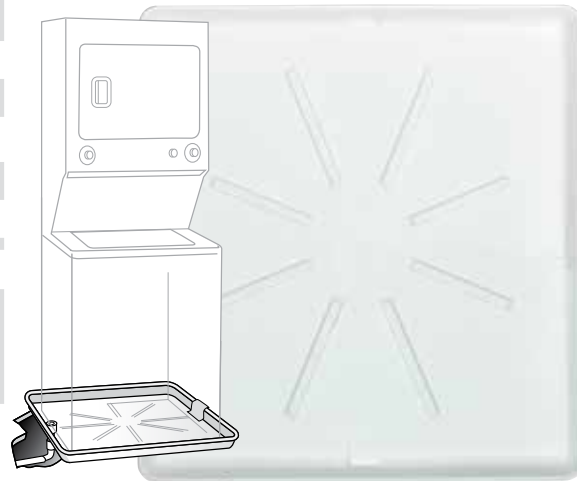
20500	5' Washing Machine Hose - Bag	12
20502	5' Washing Machine Hose - Bulk	25

Dishwasher Drain Pan

Camco's Dishwasher Pan can help save the cost of expensive repairs by alerting the homeowner to dishwasher leaks that would otherwise go undetected. It is designed to guide water to the front of the pan, so that it can be seen before any water damage has occurred.

20600	20-1/2" x 24" OD Dishwasher Drain Pan - White	6
-------	---	---

20752
Washing
Machine Pan

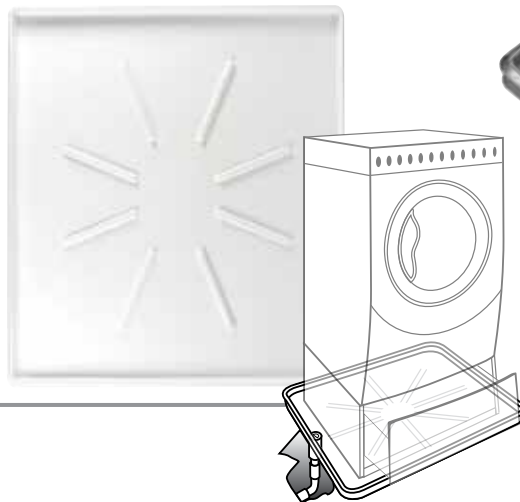


20762
Apartment-sized
Washing Machine
Pan

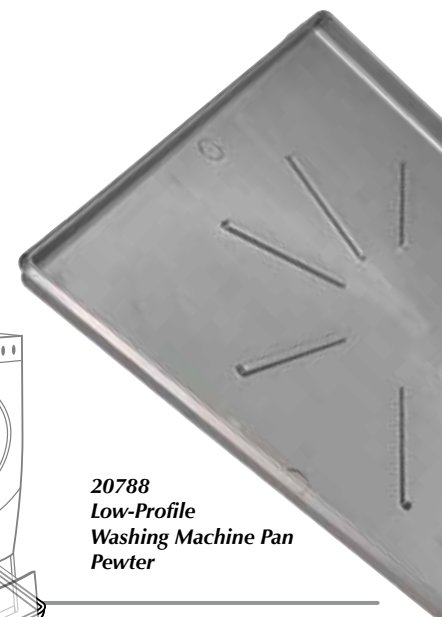
20600
Dishwasher Pan



20786
Low-Profile
Washing Machine Pan
White



20788
Low-Profile
Washing Machine Pan
Pewter



Top Burners for Electric Ranges



UL listed



**GE / Hotpoint
Plug-in Style**



**Universal
Plug-in Style**



*GE/Hotpoint
with porcelain connector*



Delta Support

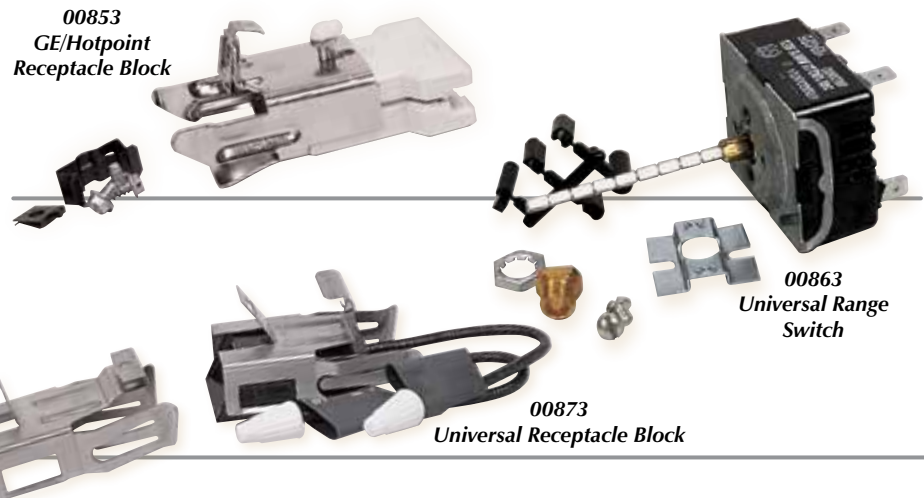


Y Support

Stock#	Description	Watts	Volts	Size	Turns	Support	Chromalox#	Qty
GE/Hotpoint Plug-In								
00103	GE/Hotpoint Plug-in	1325w	240v	6"	5	Y	CH30x218	6
00113	GE/Hotpoint Plug-in	2350w	240v	8"	6	Y	CH30x219	6
GE/Hotpoint w/Porcelain Connector								
00183	GE/Hotpoint w/trim ring	1325w	240v	7"	5	GE	CH30x356	6
00193	GE/Hotpoint w/trim ring	2125w	240v	9"	6	GE	CH30x354	6
00283	GE/Hotpoint Plug-in w/o trim ring	1325w	240v	6"	5	GE	CH30x342	6
00293	GE/Hotpoint Plug-in w/o trim ring	2125w	240v	8"	6	GE	CH30x341	6
Economy Plug-In Universal								
00143	Universal Economy Plug-in	1250w	240v	6"	3	Y	SP12YA	6
00153	Universal Economy Plug-in	2100w	240v	8"	4	Y	SP21YA	6
00223	Universal Economy Plug-in	1250w	240v	6"	3	Delta	SP12MA	6
00233	Universal Economy Plug-in	2100w	240v	8"	4	Delta	SP21MA	6
Deluxe Plug-In Universal (Deluxe has more heating surface than Economy)								
00243	Universal Deluxe Plug-in	1500w	240v	6"	4	Y	MP15YA	6
00253	Universal Deluxe Plug-in	2100w	240v	8"	5	Y	MP21YA	6
00263	Universal Deluxe Plug-in	1500w	240v	6"	4	Delta	MP15MA	6
00273	Universal Deluxe Plug-in	2100w	240v	8"	5	Delta	MP21MA	6

Repair Parts

Stock#	Description	Qty
00853	GE/Hotpoint Receptacle Block	6
Direct replacement for GE ranges. Includes: (1) metal/porcelain bracket, (2) machine screws, (1) sheet metal screw, (1) wire bracket and (1) nut		
00863	Universal Range Switch - Card	8
Includes: switch, mounting adapter parts, knob adapter		
00873	Universal Receptacle Block Kit	12
Fits most electric ranges, except GE.		



Pans, Bowls and Knob Kits



Bowl for plug-in elements
UNIVERSAL



Pan for hinged elements
EXCEPT GE / HOTPOINT —
UNIVERSAL



DEEP style bowl
for plug-in elements
GE / HOTPOINT TYPE



pan for hinged elements
GE / HOTPOINT TYPE

Universal Drip Pans and Bowls for Electric Ranges

Stock#	Description	Type	Qty
00343	6" Chrome Trim Ring	-	12
00353	8" Chrome Trim Ring	-	12
00383	6" Chrome Drip Bowl	Plug-in	12
00393	8" Chrome Drip Bowl	Plug-in	12
00463	6" Chrome Drip Pan	Hinge	12
00473	8" Chrome Drip Pan	Hinge	12
00503	6" Black Porcelain Drip Bowl	Plug-in	12
00513	8" Black Porcelain Drip Bowl	Plug-in	12
00583	6" Black Porcelain Drip Pan	Hinge	12
00593	8" Black Porcelain Drip Pan	Hinge	12

Electric Knob Kit - 4/card

Stock#	Description	Qty
00883	Electric Range Knobs-Top Burner - Black	12
00923	Electric Range Knobs-Top Burner - White	12
00903	Electric Range Knobs-Top Burner - Chrome	12

Electric Knob Kit - 1/card

Stock#	Description	Qty
00913	Electric Range Knob-Burner/Oven - Black	12
00893	Electric Range Knob-Burner/Oven - White	12
00933	Electric Range Knob-Burner/Oven - Chrome	12

Gas Knob Kit - 4/card

Stock#	Description	Qty
00943	Gas Range Knobs-Top Burner - Black	12
00983	Gas Range Knobs-Top Burner - White	12
00963	Gas Range Knobs-Top Burner - Chrome	12

Gas Knob Kit - 1/card

Stock#	Description	Qty
00973	Gas Range Knob-Burner/Oven - Black	12
00953	Gas Range Knob-Burner/Oven - White	12
00993	Gas Range Knob-Burner/Oven - Chrome	12

Drip Pans and Bowls for GE/Hotpoint Electric Ranges

Stock#	Description	Type	Qty
00303	6" Chrome Trim Ring	-	12
00313	8" Chrome Trim Ring	-	12
00323	6" Black Porcelain Drip Bowl	Plug-in	12
00333	8" Black Porcelain Drip Bowl	Plug-in	12
00403	6" Chrome Drip Bowl	Plug-in	12
00413	8" Chrome Drip Bowl	Plug-in	12
00423	6" Chrome Drip Pan	Hinge	12
00433	8" Chrome Drip Pan	Hinge	12
00443	6" Blk Porcelain Drip Bowl 1990 - Present	Plug-in	12
00453	8" Blk Porcelain Drip Bowl 1990 - Present	Plug-in	12
00483	6" Chrome Drip Bowl 1990 - Present	Plug-in	12
00493	8" Chrome Drip Bowl 1990 - Present	Plug-in	12
00543	6" Black Porcelain Drip Pan	Hinge	12
00553	8" Black Porcelain Drip Pan	Hinge	12



Reflector Drip Pans for Gas Ranges

Stock#	Description	Qty
00363	Round Chrome Gas Drip Pan (7")	12
00373	Square Chrome Gas Drip Pan (7-3/4")	12

00973
Gas Range Knob



00903
Electric Range Knob Kit



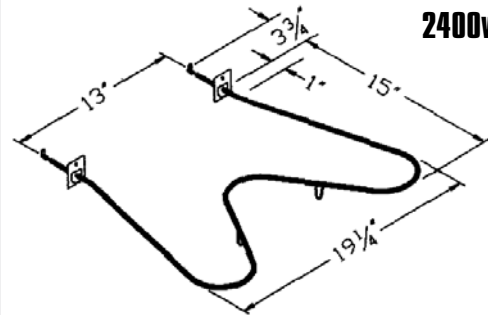
Bake & Broil Elements

Stock#	Description	Watts	Volts	Qty
Bake Elements				
00611	Bake Element	2400w	240v	6
00621	Bake Element	3000w	250v	6
00631	Bake Element	2700w	240v	6
00641	Bake Element	2500w	240v	6
00651	Bake Element	3000w	250v	6
00681	Bake Element	2585w	250v	6
00701	Bake Element	2600w	240v	6
00711	Bake Element	2585w	250v	6
00721	Bake Element	2475w	250v	6
00731	Bake Element	2200w	250v	6
00741	Bake Element	2585w	250v	6
00751	Bake Element	3100w	240v	6
00761	Bake Element	2400w	240v	6
00791	Bake Element	2500w	240v	6

Broil Elements

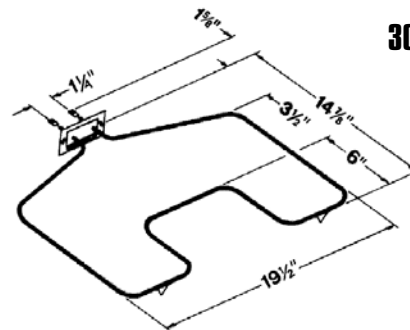
00771	Broil Element	3000w	250v	6
00801	Broil Element	3400w	250v	6
00811	Broil Element	3400w	240v	6
00831	Broil Element	3410w	250v	6

All elements include screw-in hardware.



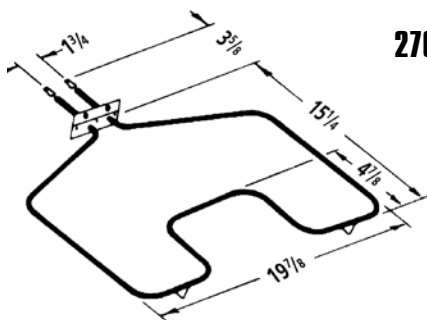
00611
2400w 240v Bake Element

KENMORE
1312853
1311298-0
WHIRLPOOL
865940
CHROMALOX
CH775



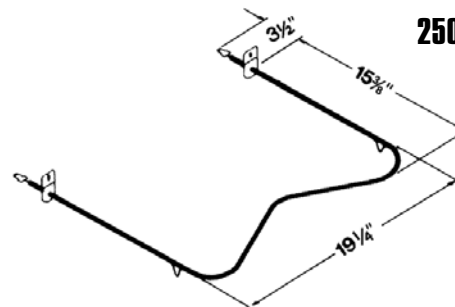
00621
3000w 250v Bake Element

GE
WB44x126
WB44x118
WB44x105
WB44x133
WB44x120
WB44x112
HOTPOINT
297B774G3
CHROMALOX
CH44x126



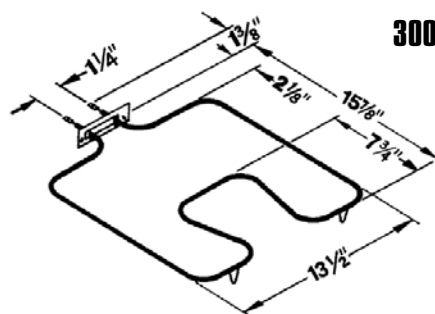
00631
2700w 240v Bake Element

KENMORE
296119
296565
301444
321667
CHROMALOX
CH2858



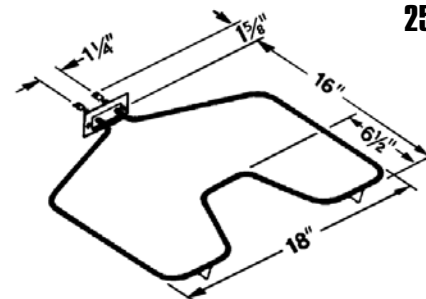
00641
2500w 240v Bake Element

KENMORE
282717
314620
319837
320421
301471
319529
319238
324186
320420
CHROMALOX
CH776



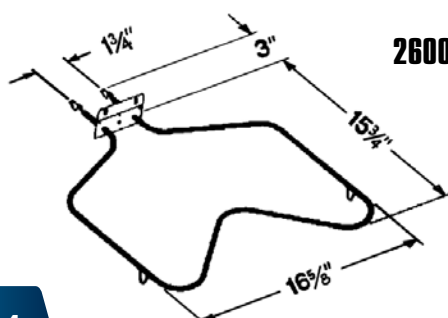
00651
3000w 250v Bake Element

GE
WB44x5043
WB44x5049
WB44x5078
WB44x5080
HOTPOINT
663130
664640
684729
CHROMALOX
CH44x5043



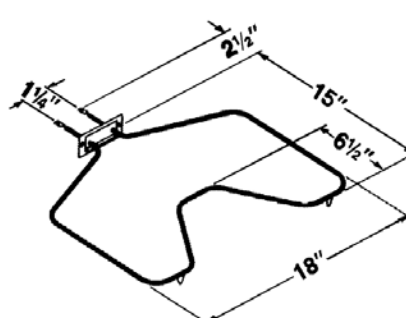
00681
2585w 250v Bake Element

GE
WB44x105
WB44x118
WB44x120
WB44x126
WB44x133
WB44x5061
WB44x5099
CHROMALOX
CH44x5099



00701
2600w 240v Bake Element

WHIRLPOOL
308180
JENN-AIRE
202550
CHROMALOX
CH4836

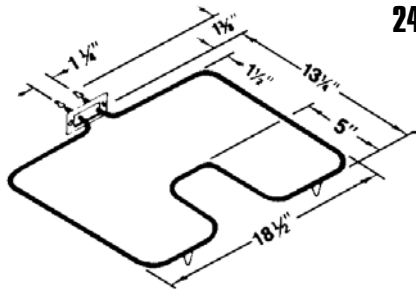


00711
2585w 250v Bake Element

GE
WB44x5061
WB44x5082
WB44x5072
CHROMALOX
CH44x5082

Please visit www.camco.net for printable pictures with dimensions.

Bake & Broil Elements

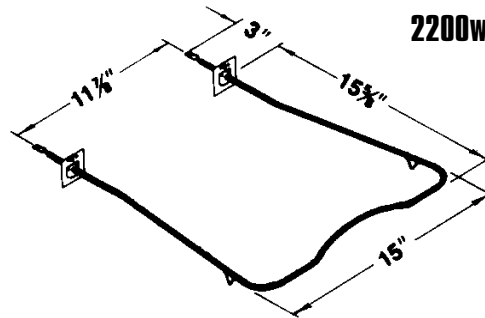


00721
2475w 250v Bake Element

FRIDGIDAIRE

632305	632306
633114	1133051
752576	7525781
7526491	7526492
752660	7532556
7532557	8004204
	9950882

CHROMALOX
CH978



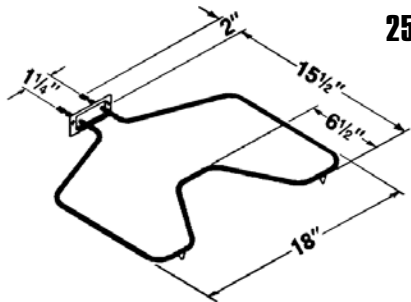
00731
2200w 250v Bake Element

WHIRLPOOL

255103; 257376;
257987; 326791

ROPER
326791

CHROMALOX
CH687

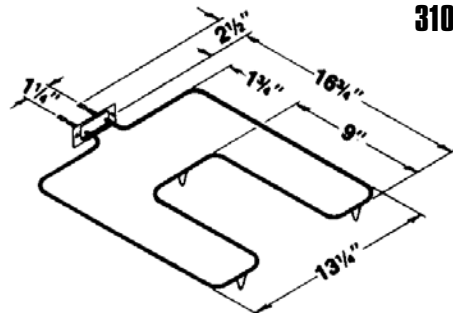


00741
2585w 250v Bake Element

GE

WB44x5083
WB44x5085

CHROMALOX
CH44x5083

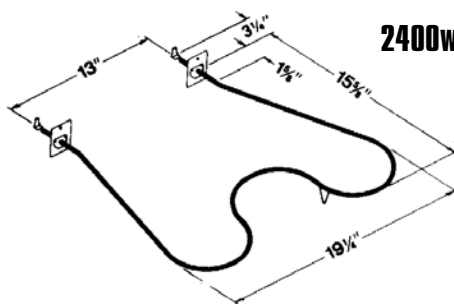


00751
3100w 240v Bake Element

GE

WB44x200;
WB44x160

CHROMALOX
CH44x200



00761
2400w 240v Bake Element

FRIDGIDAIRE

8008245

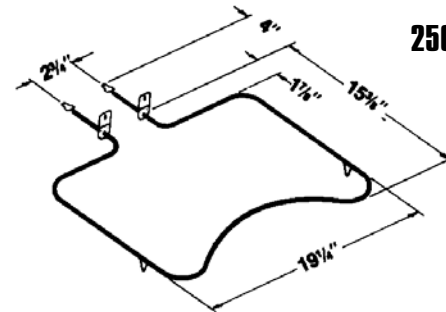
KENMORE/KELVINATOR

1313171; 1313169

WHIRLPOOL

866375

CHROMALOX
CH4879



00791
2500w 240v Bake Element

ROPER/KENMORE

325883;

326365;

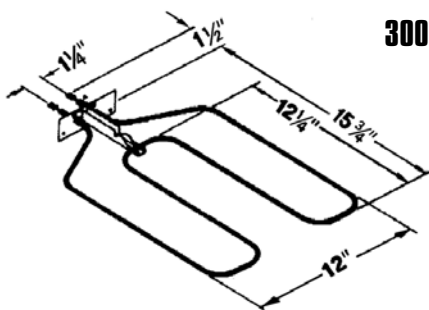
326364;

326366

GE

WB44x230

CHROMALOX
CH5853



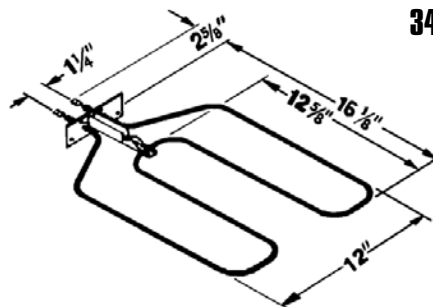
00771
3000w 250v Broil Element

GE

WB44x134

CHROMALOX

CH44x134



00801
3400w 250v Broil Element

GE

WB44x149

WB44x150

WB44x167

WB44x168

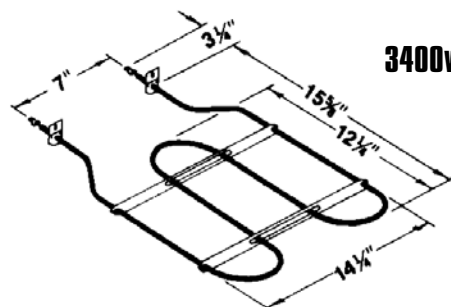
WB44x173

WB44x185

WB44x5064

CHROMALOX

CH44x185



00811
3400w 240v Broil Element

ROPER/KENMORE

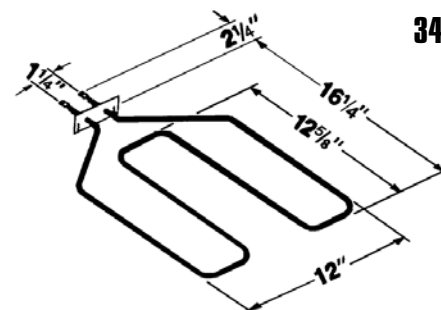
296121; 296566;

319487; 324163;

324249; 324251

CHROMALOX

CH2859



00831
3410w 250v Broil Element

GE

WB44x5074

CHROMALOX

CH44x5074

Propane Campfires



Big Red Campfire®

Take your fire with you! Our Big Red Portable Campfire is great for campsites with restrictions against in-ground fires. Take it tailgating, or put it on the patio...its size is convenient for wherever you need a fire. Realistic log set (original) or lava rocks (CSA version) and full 9.5" diameter ring burner help create the natural look and ambiance of from-scratch campfires. Sturdy lid and security latches make it safe and easy to transport. Self storing lid can also serve as a Campfire base. Includes 10' propane hose for use with standard LP gas cylinders. RV campground approved. 13.25" fire tray diameter. 65,000 BTU/HR.

58035	Big Red Campfire	1
-------	------------------	---

Little Red Campfire®

Take your fire with you! Our compact, portable campfire is great for campsites with restrictions against in-ground fires. Tailgating, or on the patio...its size is convenient for wherever you need a fire. Realistic log set (original) or lava rocks (CSA version) and full 9.5" diameter ring burner help create the natural look and ambiance of from-scratch campfires. Sturdy lid and security latches make it safe and easy to transport. Includes 8' propane hose for use with standard LP gas cylinders. RV campground approved. 11.25" fire tray diameter. 65,000 BTU/HR.

58031	Little Red Campfire	1
-------	---------------------	---



Portable Propane Campfire

Features like an elevated fire tray and heat resistant base make this Portable Campfire perfect for use in campgrounds with fire restrictions; great for residential porch and patio use as well. Large 14-1/2" burner ring allows for even distribution of gas and flame. 8' hose and adjustable regulator allows easy control of desired fire size up to 65,000 BTUs per hour with no ash, no mess and no smoke. Includes two bags of lava rocks. Legs fold completely under to fit into included storage bag.

58041	Propane Campfire	1
-------	------------------	---

Propane Adapter

59213	Propane Adapter (for use with 1 lb bottle)	6
-------	--	---

59213
Propane Adapter



Portable Fire Ring

Portable Fire Ring

Safely contain your campfire with Camco's Portable Fire Ring. The large, 27" wide steel ring will accommodate your natural wood-burning fire. Six-piece hinged design unfolds and assembles easily with no tools required. Tree cut-outs create a captivating ambiance. Folds flat for storage. Includes a zippered bag for easy transportation.

51091	Portable Fire Ring	1
-------	--------------------	---



Gas Matches

GM3 GasMatches™

One of our finest and most popular lighters. Long slender design lets you get at hard-to-reach places with total safety. Features a continuous ignition system (requires one AA battery, included), safety lock, fully adjustable flame, fuel viewing window. Refillable with butane lighter fluid. ISO 9001 certified. CPSC certified.

57433	GM3 - 14 3/4"	12
57543	GM3X - 26" (15" flex extender)	12
57684	GM3XE - 40 3/4" (36" flex extender)	20
57549	GM3X - 26" (15" flex extender) with no butane	12



GM4 GasMatches™

Our most popular mid-sized model. Piezo electric ignition, fully adjustable flame, safety lock, fuel viewing window, thousands of lights. CPSC certified. Refillable with butane lighter fluid. 11" long.

57453	Olympian™ GM4 GasMatch	12
-------	------------------------	----

GM9 2-pack Refillable GasMatches

Great for barbecues, fireplaces, pilot lights, kerosene heaters and candles. Safety lock, CPSC certified, adjustable flame, fuel viewing window. 11" long.

57473	Olympian™ GM9 GasMatches-2/card	12
-------	---------------------------------	----

Ronson® Butane

Multi-fill injectors in 78 gram and 165 gram sizes.

57416	Ronson 78 Gram Butane Fuel	12
57496	Ronson 165 Gram Butane Fuel	12

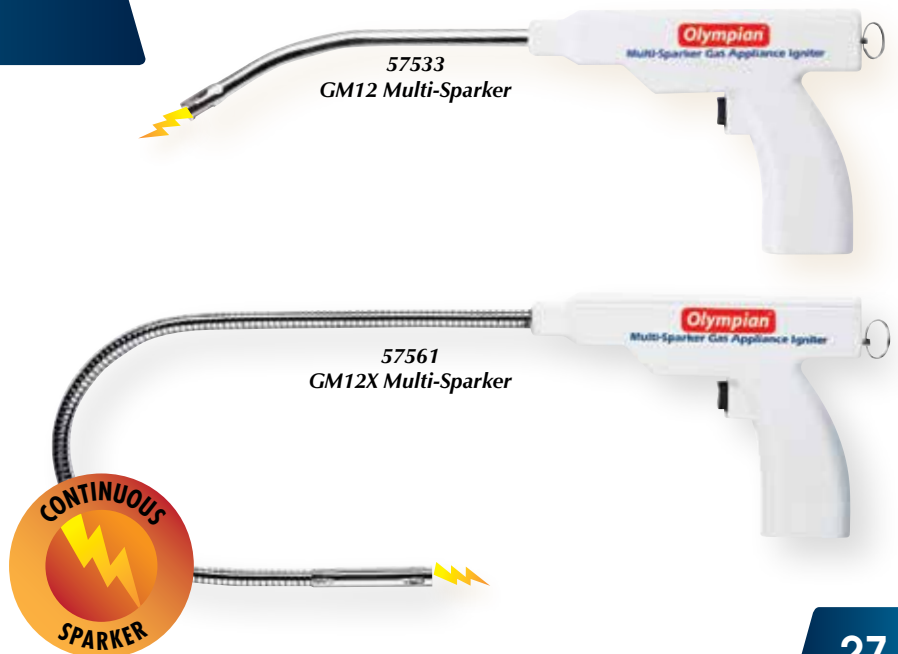


Sparker Igniters

GM12 Continuous Ignition Multi-Sparker

This handy igniter is the one designed exclusively for igniting gas appliances. No butane to refill. The continuous ignition piezo electric sparker assures a large and immediate continuous spark. The automatic illumination micro-light and curved nozzle make tough lighting jobs easy. Uses one C battery (included).

57533	GM12 - 13" long (7" pipe)	12
57561	GM12X - 26" long (20" pipe)	24



Antifreeze for Potable Water Systems

Antifreeze for potable water systems

For use in winterization of fresh/potable water systems in campers, RVs and summer homes. High-grade formulas protect equipment down to -50° F. (-46° C) with no mixing required. Use full strength—do not dilute. All ingredients are listed in the U.S. Federal Register (GRAS - generally regarded as safe). Not recommended for winterizing boat engines.

Easy Going™ -50

Virgin propylene glycol-based formula is safe, odorless and tasteless.

Stock#	Description	Size	Qty
30757	Easy Going -50° F Antifreeze	1 gallon	6
30759	Easy Going -50° F Antifreeze	5 gallons	36
30758	Easy Going -50° F Antifreeze	55 gallons	4

Arctic Ban™ -50

Ethyl alcohol/propylene glycol-based formula is safe, odorless and non-staining.

Stock#	Description	Size	Qty
30807	Arctic Ban -50 Antifreeze	1 gallon	6
30809	Arctic Ban -50 Antifreeze	5 gallons	36
30808	Arctic Ban -50 Antifreeze	55 gallons	4



Antifreeze for Boiler Systems

30029
Boiler Antifreeze

30027
Boiler
Antifreeze



36011
Antifreeze
Test Strips

35106
Inhibitor
Re-Charge

FreezeCheck Refractometer

Eliminates guesswork by reading freeze protection of ethylene glycol, methoxy propanol and propylene glycol, as well as actual burst protection of propylene glycol antifreezes. Rapid temperature compensation for accuracy in varying temperatures. Shock-resistant design. Improved optics for ease of viewing. Completely immersible.

Stock#	Description	Size	Qty
65401	Freeze-Check Refractometer	-	1

65401
Refractometer



Boiler Antifreeze

- For hydronic heating and cooling systems • Safe • Odorless • Tasteless
- Protects -100° F (-73° C). A premium heat transfer fluid with special corrosion inhibitors added. For use in hot water and other closed boiler and solar systems. Concentrated, may be diluted to the desired burst protection level and flow temperature desired using the chart provided. Contains Propylene Glycol with corrosion inhibitor and inert ingredients. Non-Flammable • No mixing required. Boiling point: 760mmHg ... 109° C ... 228° F • All ingredients are listed in the U.S. Federal Register (GRAS).* * Generally regarded as safe

Stock#	Description	Size	Qty
30027	Boiler Antifreeze -100	1 gallon	6
30029	Boiler Antifreeze -100	5 gallons	36
30028	Boiler Antifreeze -100	55 gallons	4

Boiler Antifreeze MID

- Premium MID-Grade heat transfer fluid

Stock#	Description	Size	Qty
30417	Boiler Antifreeze MID	1 gallon	6
30419	Boiler Antifreeze MID	5 gallons	36
30418	Boiler Antifreeze MID	55 gallons	4

Ready-to-Use Boiler Antifreeze

- All ingredients are listed in the U.S. Federal Register (GRAS).*
- * Generally regarded as safe

Stock#	Description	Size	Qty
33129	RTU Boiler Antifreeze	5 gallons	36
33128	RTU Boiler Antifreeze	55 gallons	4

Boiler AL Antifreeze

Boiler AL (not shown) contains special corrosion inhibitors for use in boilers containing aluminum.

Stock#	Description	Size	Qty
33119	Boiler AL -100	5 gallons	36
33118	Boiler AL -100	55 gallons	4

Inhibitor Re-Charge for Boiler Antifreeze

Replaces depleted corrosion inhibitors in antifreeze solutions to prevent corrosion problems. Can also be added to uninhibited antifreeze solutions. **Not for use with Boiler AL.**

Stock#	Description	Size	Qty
35106	Inhibitor Re-Charge	32 oz	6

Boiler Antifreeze Test Strips

These strips test the pH of the solution to indicate the corrosion protection.

Stock#	Description	Size	Qty
36011	Boiler Antifreeze Test Strips	50 strips	1

Antifreeze for Fire Sprinkler Systems

Liquids orders must be sent on a separate P.O.

Fire Sprinkler System Antifreezes PG and GL should be used in wet fire sprinkler systems that may be exposed to freeze conditions. When used undiluted, Fire Sprinkler System Antifreezes PG & GL will protect the system from freezing and ensure system flow in wet fire sprinkler systems.

PG38: Designed for metal fixed-sprinkler systems only

Fire Sprinkler System Antifreeze PG is 38% by volume Propylene Glycol solution, which is non-toxic and safe for all wet fire sprinkler systems with the exception of systems that contain CPVC. It is a factory pre-mix, made to be in compliance with NFPA Guidelines. Contains Corrosion Inhibitors to protect metal components and system.

% of Fire Sprinkler System Antifreeze PG	Freeze Point Degree F	Flow Point Degree F	Burst Protection Degree F	Specific Gravity @ 77° F (25° C)
100	-15° F	-25° F	-50° F	1.137

GL48: Designed for CPVC and PEX systems only

Fire Sprinkler System Antifreeze GL is 48% by volume Glycerin based solution, which is non-toxic and safe for CPVC and PEX wet fire sprinkler systems as specified by manufacturers. It is a factory pre-mix made to be in compliance with NFPA Guidelines. Contains Inhibitors to improve product stability.

% of Fire Sprinkler System Antifreeze GL	Freeze Point Degree F	Flow Point Degree F	Burst Protection Degree F	Specific Gravity @ 77° F (25° C)
100	0° F	-15° F	-50° F	1.037

- Factory pre-mixed for accuracy
- Complies with NFPA guidelines
- Non-Toxic Formulation – Ingredients are listed as GRAS by the FDA
- Biodegradable and Environmentally Friendly

Stock# | Size

PG38 Fire Sprinkler Antifreeze	
33327	1 Gallon Bottle
33329	5 Gallon Pail
33328	55 Gallon Drum
33325	275 Gallon Tote

Stock# | Size

GL48 Fire Sprinkler Antifreeze	
33337	1 Gallon Bottle
33339	5 Gallon Pail
33338	55 Gallon Drum
33335	275 Gallon Tote



Windshield Washer Fluid



Xtreme Blue Windshield Washer Fluid

30907
-20° F



Rain Cutter Windshield Washer Fluid

31177
-25° F



Ice Cutter

30527

Xtreme Blue™ Windshield Washer Concentrate

Concentrated formula is better for the environment; takes less water and plastic to produce. Concentrated product must be diluted to comply with CARB (CA) regulations (Dilution chart is on product label).

Stock#	Description	Size	Qty
30254	Windshield Washer Concentrate	16 oz	24
30256	Windshield Washer Concentrate	32 oz	6

Xtreme Blue™ Windshield Washer Fluid

Ready to use: no mixing required. Easily removes road grime, film and bugs. Excellent for all season use. Aids in melting frost, snow and ice. (Does not apply to +32°.)

Stock#	Description	Size	Qty
30907	-20° F Xtreme Blue	1 gallon	6
30917	-25° F Xtreme Blue	1 gallon	6
30987	0° F Xtreme Blue	1 gallon	6
30977	+20° F Xtreme Blue	1 gallon	6
30297	+32° F Xtreme Blue	1 gallon	6

Rain Cutter™ Windshield Washer Fluid

Our exclusive formula sheds rain faster than the national brand. Premium product cuts road grime fast for cleaner windshields. Available with protection down to -25° F. High-visibility colors for greater consumer recognition in store displays. (Does not apply to +32°.)

Stock#	Description	Size	Qty
31177	-25° F Rain Cutter Washer Fluid	1 gallon	6
31178	-25° F Rain Cutter Washer Fluid	55 gallon	1
32037	0° F Rain Cutter Washer Fluid	1 gallon	6
31187	+32° F Rain Cutter Washer Fluid	1 gallon	6

Ice Cutter™ -30 Windshield Washer Fluid

Melts frost and light ice on contact. No mixing required; excellent for all-season use. Easily removes road grime, film and bugs. Protects to -30° F.

Stock#	Description	Size	Qty
30527	-30° F Ice Cutter Washer Fluid	1 gallon	6

For questions about products on these pages, please contact our Liquids Customer Service Department. 800-334-2004 ext 28234

Bulk Parts Program

Many of our retail-packaged items are available as bulk items, with no packaging. The following pages contain featured top-selling bulk items that are frequently used by contractors for building projects, apartment/building maintenance, etc. If there is a bulk item for which you are searching and it does not appear in the following bulk item list, please contact customer service to see if it is available.

Item#	Qty	Description
Range Accessories		
00142	25	Universal 6"x3 Trn Y Supt 1250W 240V Economy Plug In
00152	25	Universal 8"x4 Trn Y Supt 2100W 240V Economy Plug In
00222	25	Universal 6"x3 Trn Delta Supt 1250W 240V Economy Plug In
00232	25	Universal 8"x4 Trn Delta Supt 2100W 240V Economy Plug In
00242	25	Universal 6"x4 Trn Y Supt 1500W 240V Deluxe Plug In
00252	25	Universal 8"x5 Trn Y Supt 2100W 240V Deluxe Plug In
00262	25	Universal 6"x4 Trn Delta Supt 1500W 240V Deluxe Plug In
00272	25	Universal 8"x5 Trn Delta Supt 2100W 240V Deluxe Plug In
00302	25	Trim Ring GE/HP 6" Chrome Electric
00312	25	Trim Ring GE/HP 8" Chrome Electric
00322	25	Drip Bowl GE/HP 6" Porcelain Electric
00332	25	Drip Bowl GE/HP 8" Porcelain Electric
00342	25	Trim Ring Universal 6" Chrome Electric
00352	25	Trim Ring Universal 8" Chrome Electric
00362	25	Drip Pan Round 7" Chrome Gas
00372	25	Drip Pan Square 7 3/4" Chrome Gas
00382	25	Drip Bowl Universal 6" Chrome Electric
00392	25	Drip Bowl Universal 8" Chrome Electric
00402	25	Drip Bowl GE/HP 6" Chrome Electric
00412	25	Drip Bowl GE/HP 8" Chrome Electric
00422	25	Drip Pan GE/HP 6" Chrome Electric
00432	25	Drip Pan GE/HP 8" Chrome Electric
00442	25	Drip Bowl GE/HP 6" Porcelain 1990 - Present
00452	25	Drip Bowl GE / HP 8" Porcelain 1990 - Present
00462	25	Drip Pan Universal 6" Chrome Electric
00472	25	Drip Pan Universal 8" Chrome Electric
00482	25	Drip Bowl GE / HP 6" Chrome 1990 - Present
00492	25	Drip Bowl GE / HP 8" Chrome 1990 - Present
00502	25	Drip Bowl Universal 6" Black Porcelain Electric
00512	25	Drip Bowl Universal 8" Black Porcelain Electric
00542	25	Drip Pan GE/HP 6" Black Porcelain Electric
00552	25	Drip Pan GE/HP 8" Black Porcelain Electric
00582	25	Drip Pan Universal 6" Black Porcelain Electric
00592	25	Drip Pan Universal 8" Black Porcelain Electric

Item#	Qty	Description
Water Heater Repair		
01012	24	Dielectric Heat Traps 3" Long Paired Hot/Cold
01022	24	Dielectric Heat Traps 2-1/2" Long Flapper Style
02142	25	1500W 120V Screw In Element HWD
02162	25	1500W 240V Screw in Element HWD
02182	25	1750W 120V Screw In Element HWD
02202	25	2000W 120V Screw in Element HWD
02242	25	2500W 240V Screw In Element HWD
02262	25	3000W 240V Screw In Element HWD
02282	25	3500W 240V Screw In Element HWD
02292	25	3800W 240V Screw In Element HWD
02302	25	4000W 240V Screw In Element HWD
02342	25	4500W 240V Screw In Element HWD
02362	25	5500W 240V Screw In Element HWD Foldback
02492	25	2500W 240V Screw In Element LWD Foldback
02522	25	3500W 240V Screw In Element LWD Foldback
02582	25	4500W 240V Screw In Element LWD Foldback
02612	25	6000W 240V Screw In Element LWD Foldback
02642	25	4500W 240V Screw In Element HWD Foldback
02722	25	4500W 240V 1-3/8" Screw In LWD Duron Style
02852	25	1500W 120V Screw In Element LWD Lime Life
02912	25	3500W 240V Screw In Element LWD Lime Life Foldback
02922	25	4500W 240V Screw In Element LWD Lime Life Foldback
02932	25	5500W 240V Screw In Element LWD Lime Life Foldback
02952	25	4500W 240V Screw In Element LWD Lime Life Ripple Foldback
02962	25	5500W 240V Screw In Element LWD Lime Life Foldback
Water Heater Thermostats		
07722	25	Lower Thermostat - Apcom Style
07842	25	Single Element Thermostat - Apcom Style
07862	25	Upper Thermostat - Apcom Style
08012	25	Single Element Thermostat 120V - Thermodisc
08112	25	Thermodisc Upper T-Stat Protective Cover
08122	25	Lower Thermostat - Thermodisc
08142	25	Single Element Thermostat - Thermodisc
08162	25	Upper Thermostat - Thermodisc

Bulk Parts Program

Item#	Qty	Description
Gas Water Heater Parts and Accessories		
09272	6	Thermocouple Kit - 18" Bagged
09291	6	Thermocouple Kit - 24" Bagged
09331	6	Thermocouple Kit - 36" Bagged
09312	6	Thermocouple Kit - 30" Bagged
Miscellaneous Items for Water Heater Repair		
09882	25	Screw In Element Wrench 5"
09942	25	Heavy Duty Element Wrench 4"
Connectors		
10032	25	Water Connector 18" Flex Copper SWT x 3/4" FIP
10042	25	Water Connector 12" Flex Copper 3/4" FIP x 3/4" FIP
10045	25	Water Connector 12" Flex Copper SWT x 3/4" FIP
10052	25	Water Connector 15" Flex Copper 3/4" FIP x 3/4" FIP
10055	25	Water Connector 15" Flex Copper SWT x 3/4" FIP
10062	25	Water Connector 18" Flex Copper 3/4" FIP x 3/4" FIP
10072	25	Washer for Flex Connector
10082	25	Water Connector 24" Flex Copper 3/4" FIP x 3/4" FIP
10085	25	Water Connector 24" Flex Copper SWT x 3/4" FIP
10232	25	Gas Connector 24" Flex Stainless Steel 1/2" OD
10735	25	Water Connector 15" Flex Stainless 3/4" FIP x 3/4" FIP Cut Case
10747	25	Water Connector 18" Flex Stainless 3/4" FIP x 3/4" FIP

Item#	Qty	Description
10755	25	Water Connector 24" Flex Stainless 3/4" FIP x 3/4" FIP Cut Case
T & P Valves and Other Items		
10421	25	T & P Valve 1/2" w/ 4" Probe
10471	25	T&P Valve 3/4" w/4" Probe Coated, 150psi (Eng/Fr)
10491	50	T & P Valve 3/4" w/ 2 1/2" Probe
10602	50	Dielectric Nipples 3/4" MPT x 3/4" MPT x 3"
10622	50	Dielectric Nipples, 3/4" NPT x 3/4" NPT x 2-1/2" Long LLC
Plastic Water Heater Drain Fittings		
11442	25	Drain Pan Fitting 1" CPVC
11452	25	Drain Pan Fitting 1" PVC
Miscellaneous Items		
11512	25	Water Heater Drain Valve Brass
11522	25	Water Heater Drain Valve Plastic
23402	25	3/4" Back-Flow Preventer

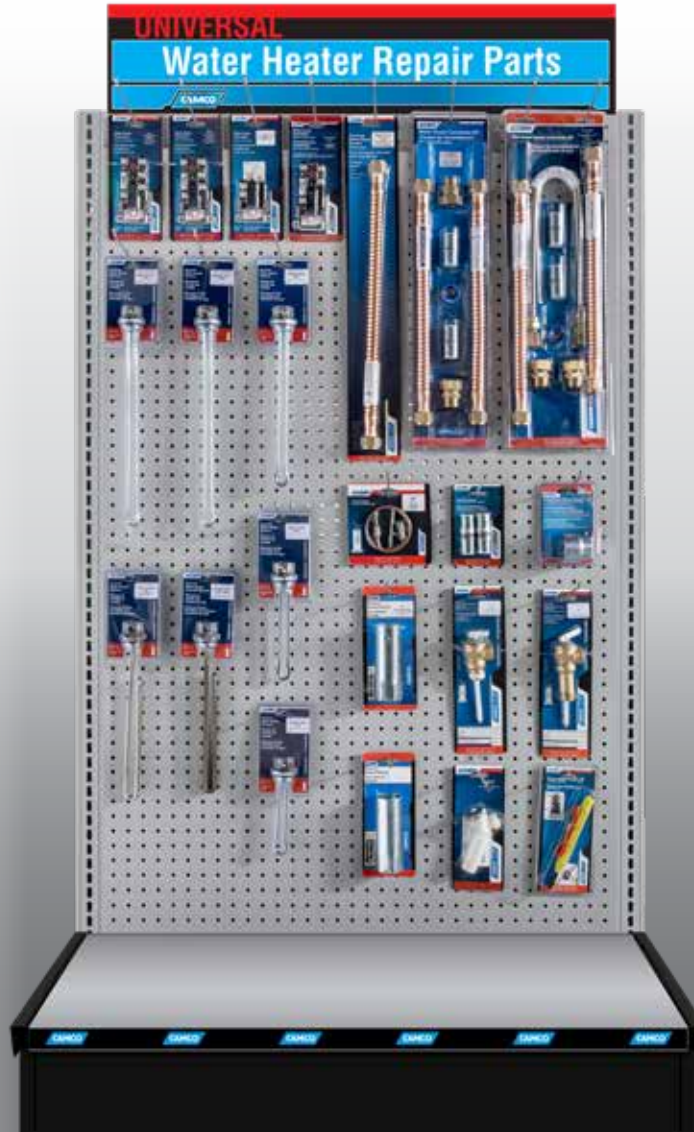


61605 Range Accessories Display



Stock #	Description	Qty	Stock #	Description	Qty
00103	GE/HP 6"x 5 Turn Plug-In Y Support	2	00463	Drip Pan Universal 6" Chrome Electric	4
00113	GE/HP 8"x 6 Turn Plug-In Y Support	2	00473	Drip Pan Universal 8" Chrome Electric	4
00143	Economy 6" x 3 Turn-Y Support	2	00503	Universal 6" Plug-In Reflect Bowl-Black Porc.	2
00153	Economy 8" x 4 Turn-Y Support	2	00513	Universal 8" Plug-In Reflect Bowl-Black Porc.	2
00243	Deluxe 6" Plug-In Y Support	2	00543	Drip Pan GE/HP 6" Black Porcelain Electric	2
00253	Deluxe 8" Plug-In Y Support	2	00553	Drip Pan GE/HP 8" Black Porcelain Electric	2
00303	Trim Ring - Electric 6" Chrome, GE/HP	2	00873	Universal Receptacle Block Kit	4
00313	Trim Ring - Electric 8" Chrome, GE/HP	2	00883	Electric Range Top Burner Knob - Black	2
00383	Universal 6" Plug-In Reflect Bowl	6	00903	Electric Range Knob Kit Top/Burner - Chrome	2
00393	Universal 8" Plug-In Reflect Bowl	6	00913	Electric Range Knob Kit Top/Oven - Black	2
00403	6" Drip Bowl GE/Hotpoint	4	00933	Electric Range Knob Kit Top/Oven - Chrome	2
00413	8" Drip Bowl GE/Hotpoint	4	00943	Gas Range Top Burn Knob Kit - Black	2
00423	GE/HP 6" Hinged Reflect Pan	4	00973	Gas Range Knob Kit Top/Oven - Black	2
00433	GE/HP 8" Hinged Reflect Pan	4			

61585 Water Heater Repair Display



Stock #	Description	Qty	Stock #	Description	Qty
02143	1500w 120v Screw-In Element	4	09883	5" Screw-In Element Wrench	2
02203	2000w 120v Screw-In Element	2	09953	Professional Element Socket	4
02293	3800w 240v Screw-In Element	2	10023	Water Heater Continuity Tester	2
02343	4500w 240v Screw-In Element	4	10063	18" Flex Water Connector	2
02583	4500w 240v LWD/FB Screw-In Element	4	10183	15" Water Heater Connector Kit -Gas	1
02923	4500w 240v Screw-In Lime Life Fold Back	4	10193	15" Water Heater Connector Kit -Electric	1
08123	Lower Therm-O-Disc Thermostat	2	10473	3/4" T&P Valve 4" Coated	4
08143	Therm-O-Disc Single Element Thermostat w/ HLC	2	10493	3/4" T&P Valve w/ 2.5" Shank 4" Probe - 150psi	2
08163	Upper Therm-O-Disc Thermostat w/ HLC	2	10623	Dielectric Nipples	4
09293	24" Thermocouple Kit	2	11523	Water Heater Drain Valve	2

All displays can be customized to meet our customers' specific needs.

61675 Basic Contractor Display (Apcom Thermostats)



Stock #	Description	Qty	Stock #	Description	Qty
02143	1500w 120v Screw-In Element	2	07723	Apcom Lower Thermostat	4
02203	2000w 120v Screw-In Element	2	07843	Apcom Single Element Thermostat	2
02283	3500w 240v Screw-In Element HWD	4	07863	Apcom Upper Thermostat	6
02343	4500w 240v Screw-In Element	6	09943	4" Heavy Duty Element Wrench	2
02583	4500w 240v LWD/FB Screw-In Element	2	09953	Professional Element Socket	2
02923	4500w 240v Screw-In Lime Life Fold Back	2	10623	Dielectric Nipples 3/4", 2/card	4
07023	Plumber's Pack Apcom T-stats HWD Element	4	10023	Water Heater Continuity Tester	2
07043	Plumber's Pack Apcom T-stats LWD Element	2			

Also available with Therm-O-Disc thermostats

61595 Water Heater Display (Therm-O-Disc Thermostats)



Stock #	Description	Qty	Stock #	Description	Qty
02143	1500w 120v Screw-In Element	2	08143	Single Element Therm-O-Disc Thermostat	2
02203	2000w 120v Screw-In Element	2	08163	Upper Therm-O-Disc Thermostat	4
02293	3800w 240v Screw-In Element	2	09883	5" Screw-In Element Wrench	2
02343	4500w 240v Screw-In Element	6	09953	Professional Element Socket	2
02583	4500w 240v LWD/FB Screw-In Element	4	10023	Water Heater Continuity Tester	2
02923	4500w 240v Screw-In Lime Life Fold Back	2	10473	3/4" T&P Valve 4" Coated	2
07013	Plumber's Pack TOD T-stats HWD Element	2	10623	Dielectric Nipples	2
08123	Lower Therm-O-Disc Thermostat	2	11523	Water Heater Drain Valve	2

Also available with Apcom thermostats

All displays can be customized to meet our customers' specific needs.

61226 4 ft RV Products Display



Stock #	Description	Qty	Stock #	Description	Qty
11563	Anode Rod 9 1/2"	1	40221	TST Singles	1
20183	1" Hose Filter Washers 3/card	2	40252	TST Grey Water Odor Control 32 oz	1
22505	90° Water Hose Elbow	1	40274	RV & Marine Toilet Tissue, 4/pk, 2ply, 500 sheets	4
22735	25' Fresh Water Hose	1	41008	Black Streak Remover, Pro-Strength 32 oz	1
25553	Level, Curved Ball (Graduated)	1	41024	Awning Cleaner, Pro-Strength 32 oz	1
36103	Blow Out Plug Plastic	1	41189	TST Orange Drop-Ins, 15/bag	2
39144	Easy Slip Sewer Elbow	1	41192	TST Orange Power Holding Tank Chemical	1
39163	Easy Slip Internal Hose Coupler	1	42061	De-Flapper	1
39173	Easy Slip Straight Hose Adapter	1	42123	Gutter Extensions, 4 pack	1
39413	Straight Sewer Hose Adapter	1	42563	RV Awning Stabilizer Kit	1
39463	RV Sewer Cap w/Hose Connector	1	42733	RV Fabric Awning Hooks	1
39551	Easy Slip Ready To Use Sewer Kit	1	43041	15' Sidewinder Sewer Hose Support	1
39553	Twist It Clamp 3"	1	43511	Mini-Dish Drainer	1
39621	HTS 10' Heavy Duty Sewer Hose	1	44412	Wheel Chock	2
39631	HTS 20' Heavy Duty Sewer Hose	1	44560	Stabilizer Jacks 4/Box	1
39761	RhinoFLEX Kit	1	44573	Tri-Leveler, Yellow	1
40043	TastePure KDF Water Filter	3	55163	PowerGrip 15M/30F 12" Electrical Adapter	1
40055	Water Pressure Regulator Brass	2	55173	PowerGrip 50M/30F amp 18" Adapter	1
40103	Holding Tank Rinser	1	55183	PowerGrip 30M/50F amp 18" Electrical Adapter	1
40206	TastePure Drinking Water Freshener 16 oz	1	55191	PowerGrip 30 amp 25' ext. cord w/ Handles	1
			55223	15M/30F amp Power Grip Adapter	1
			55233	30M/15F amp Power Grip Adapter	1

00103	GE/HP Plug-in 6"-5 turn Y	22, 32	00592	Drip Pan Universal 8" Black Porcelain Electric	30
00113	GE/HP Plug-in 8"-6 turn Y	22, 32	00593	Universal Electric 8" Black Porcelain Drip Pan	23
00142	Universal 6"x3 Trn Y Supt 1250W 240V Economy Plug In	30	00611	Bake Element 2400w/240v	24
00143	Universal Economy Plug-in 6"-3 turn Y	22, 32	00621	Bake Element 3000w/250v	24
00152	Universal 8"x4 Trn Y Supt 2100W 240V Economy Plug In	30	00631	Bake Element 2700w/240v	24
00153	Universal Economy Plug-in 8"-4 turn Y	22, 32	00641	Bake Element 2500w/240v	24
00183	GE/HP 7" -5 turn w/trim ring	22	00651	Bake Element 3000w/250v	24
00193	GE/HP 9" -6 turn w/trim ring	22	00681	Bake Element 2585w/250v	24
00222	Universal 6"x3 Trn Delta Supt 1250W 240V Economy Plug In	30	00701	Bake Element 2600w/240v	24
00223	Universal Economy Plug-in 6"-3 turn Delta	22	00711	Bake Element 2585w/250v	24
00232	Universal 8"x4 Trn Delta Supt 2100W 240V Economy Plug In	30	00721	Bake Element 2475w/250v	24, 25
00233	Universal Economy Plug-in 8"-4 turn Delta	22	00731	Bake Element 2200w/250v	24, 25
00242	Universal 6"x4 Trn Y Supt 1500W 240V Deluxe Plug In	30	00741	Bake Element 2585w/250v	24, 25
00243	Universal Deluxe Plug-in 6" -4 turn Y	22, 32	00751	Bake Element 3100w/240v	24, 25
00252	Universal 8"x5 Trn Y Supt 2100W 240V Deluxe Plug In	30	00761	Bake Element 2400w/240v	24, 25
00253	Universal Deluxe Plug-in 8" -5 turn Y	22, 32	00771	Broil Element 3000w/250v	24, 25
00262	Universal 6"x4 Trn Delta Supt 1500W 240V Deluxe Plug In	30	00791	Bake Element 2500w/240v	24, 25
00263	Universal Deluxe Plug-in 6" -4 turn Delta	22	00801	Broil Element 3400w/250v	24, 25
00272	Universal 8"x5 Trn Delta Supt 2100W 240V Deluxe Plug In	30	00811	Broil Element 3400w/240v	24, 25
00273	Universal Deluxe Plug-in 8" -5 turn Delta	22	00831	Broil Element 3410w/250v	24, 25
00283	GE/HP 6" -5 turn w/o trim ring	22	00853	GE/Hotpoint Receptacle Block	22
00293	GE/HP 8" -6 turn w/o trim ring	22	00863	Universal Range Switch	22
00302	Trim Ring GE/HP 6" Chrome Electric	30	00873	Universal Receptacle Block Kit	22, 32
00303	GE/HP 6" Chrome Trim Ring	23, 32	00883	Electric Range Knobs-Top Burner - Black	23, 32
00312	Trim Ring GE/HP 8" Chrome Electric	30	00893	Electric Range Knob-Burner/Oven - White	23
00313	GE/HP 8" Chrome Trim Ring	23, 32	00903	Electric Range Knobs-Top Burner - Chrome	23, 32
00322	Drip Bowl GE/HP 6" Porcelain Electric	30	00913	Electric Range Knob-Burner/Oven - Black	23, 32
00323	GE/HP 6" Black Porcelain Drip Bowl	23	00923	Electric Range Knobs-Top Burner - White	23
00332	Drip Bowl GE/HP 8" Porcelain Electric	30	00933	Electric Range Knob-Burner/Oven - Chrome	23, 32
00333	GE/HP 8" Black Porcelain Drip Bowl	23	00943	Gas Range Knobs-Top Burner - Black	23, 32
00342	Trim Ring Universal 6" Chrome Electric	30	00953	Gas Range Knob-Burner/Oven - White	23
00343	Universal Electric 6" Chrome Trim Ring	23	00963	Gas Range Knobs-Top Burner - Chrome	23
00352	Trim Ring Universal 8" Chrome Electric	30	00973	Gas Range Knob-Burner/Oven - Black	23, 32
00353	Universal Electric 8" Chrome Trim Ring	23	00983	Gas Range Knobs-Top Burner - White	23
00362	Drip Pan Round 7" Chrome Gas	30	00993	Gas Range Knob-Burner/Oven - Chrome	23
00363	Round Chrome Gas Drip Pan (7")	23	01012	Dielectric Water Heater Heat Traps-Bulk	15, 30
00372	Drip Pan Square 7-3/4" Chrome Gas	30	01013	Dielectric Water Heater Heat Traps-2/card	15
00373	Square Chrome Gas Drip Pan (7-3/4")	23	01022	Dielectric Heat Traps-Flapper Style-Bulk	15, 30
00382	Drip Bowl Universal 6" Chrome Electric	30	01023	Dielectric Heat Traps-Flapper Style-2/card	15
00383	Universal Electric 6" Chrome Drip Bowl	23, 32	01033	5" Long Dielectric Water Heater Heat Traps	15
00392	Drip Bowl Universal 8" Chrome Electric	30	02103	WH Element Screw-in/HWD	7
00393	Universal Electric 8" Chrome Drip Bowl	23, 32	02112	WH Element-Marathon Universal Upper/ULWD-Bulk	2, 8
00402	Drip Bowl GE/HP 6" Chrome Electric	30	02113	WH Element-Marathon Universal Upper/ULWD-Clam	2, 8
00403	GE/HP 6" Chrome Drip Bowl	23, 32	02122	WH Element-Marathon Universal Lower/ULWD-Bulk	2, 8
00412	Drip Bowl GE/HP 8" Chrome Electric	30	02123	WH Element-Marathon Universal Lower/ULWD-Clam	2, 8
00413	GE/HP 8" Chrome Drip Bowl	23, 32	02133	WH Element-Screw-in Tankless/HWD	2, 8
00422	Drip Pan GE/HP 6" Chrome Electric	30	02142	1500W 120V Screw In Element HWD	30
00423	GE/HP 6" Chrome Drip Pan	23, 32	02143	WH Element-Screw-in/HWD	7, 33, 34, 35
00432	Drip Pan GE/HP 8" Chrome Electric	30	02152	WH Element-Screw-in/Ultra LWD	6
00433	GE/HP 8" Chrome Drip Pan	23, 32	02162	1500W 240V Screw in Element HWD	30
00442	Drip Bowl GE/HP 6" Porcelain 1990 - Present	30	02163	WH Element-Screw-in/HWD	7
00443	GE/HP 6" Blk Porcelain Drip Bowl 1990 - Present	23	02173	WH Element-Screw-in Tankless/HWD	2, 8
00452	Drip Bowl GE / HP 8" Porcelain 1990 - Present	30	02182	1750W 120V Screw In Element HWD	30
00453	GE/HP 8" Blk Porcelain Drip Bowl 1990 - Present	23	02183	WH Element-Screw-in/HWD	7
00462	Drip Pan Universal 6" Chrome Electric	30	02202	2000W 120V Screw in Element HWD	30
00463	Universal Electric 6" Chrome Drip Pan	23, 32	02203	WH Element-Screw-in/HWD	7, 33, 34, 35
00472	Drip Pan Universal 8" Chrome Electric	30	02223	WH Element-Screw-in/HWD	7
00473	Universal Electric 8" Chrome Drip Pan	23, 32	02242	2500W 240V Screw In Element HWD	30
00482	Drip Bowl GE / HP 6" Chrome 1990 - Present	30	02243	WH Element-Screw-in/HWD	7
00483	GE/HP 6" Chrome Drip Bowl 1990 - Present	23	02262	3000W 240V Screw In Element HWD	30
00492	Drip Bowl GE / HP 8" Chrome 1990 - Present	30	02263	WH Element-Screw-in/HWD	7
00493	GE/HP 8" Chrome Drip Bowl 1990 - Present	23	02282	3500W 240V Screw In Element HWD	30
00502	Drip Bowl Universal 6" Black Porcelain Electric	30	02283	WH Element-Screw-in/HWD	7, 34
00503	Universal Electric 6" Black Porcelain Drip Bowl	23, 32	02292	3800W 240V Screw In Element HWD	30
00512	Drip Bowl Universal 8" Black Porcelain Electric	30	02293	WH Element-Screw-in/HWD	7, 33, 35
00513	Universal Electric 8" Black Porcelain Drip Bowl	23, 32	02302	4000W 240V Screw In Element HWD	30
00542	Drip Pan GE/HP 6" Black Porcelain Electric	30	02303	WH Element-Screw-in/HWD	7
00543	GE/HP 6" Black Porcelain Drip Pan	23, 32	02342	4500W 240V Screw In Element HWD	30
00552	Drip Pan GE/HP 8" Black Porcelain Electric	30	02343	WH Element-Screw-in/HWD	7, 33, 34, 35
00553	GE/HP 8" Black Porcelain Drip Pan	23, 32	02352	WH Element-Screw-in/HWD	7
00582	Drip Pan Universal 6" Black Porcelain Electric	30	02362	5500W 240V Screw In Element HWD Foldback	30
00583	Universal Electric 6" Black Porcelain Drip Pan	23	02363	WH Element-Screw-in Foldback/HWD	7

02382	WH Element-Screw-in/HWD	7	07842	Single Element Thermostat - Apcom Style	30
02392	WH Element-Screw-in/HWD	7	07843	WH Thermostat, Single Element/Apcom style	10, 34
02463	WH Element-Screw-in/LWD	6	07853	WH Thermostat, Single Element-Extended Shank/Apcom style	10
02483	WH Element-Screw-in/HWD	7	07862	Upper Thermostat - Apcom Style	30
02492	2500W 240V Screw In Element LWD Foldback	30	07863	WH Thermostat, Upper/Apcom style	10, 34
02493	WH Element-Screw-in Foldback/LWD	6	08012	Single Element Thermostat 120V - Thermodisc	30
02522	3500W 240V Screw In Element LWD Foldback	30	08013	WH Thermostat, Single Element-120V/TOD style	11
02523	WH Element-Screw-in Foldback/LWD	6	08103	Lower T-Stat Terminal Protector/TOD	11, 12
02582	4500W 240V Screw In Element LWD Foldback	30	08112	Thermodisc Upper T-Stat Protective Cover	30
02583	WH Element-Screw-in Foldback/LWD	6, 33, 34, 35	08113	Upper T-Stat Terminal Protector/TOD	11, 12
02612	6000W 240V Screw In Element LWD Foldback	30	08122	Lower Thermostat - Thermodisc	30
02613	WH Element-Screw-in Foldback/LWD	6	08123	WH Thermostat, Lower TOD style	33
02642	4500W 240V Screw In Element HWD Foldback	30	08123	WH Thermostat, Lower/TOD style	11, 35
02643	WH Element-Screw-in Foldback/HWD	7	08130	Thermostat Kit with Jumper Wire	11
02713	WH Element-Duron Screw-In Foldback/LWD	8	08142	Single Element Thermostat - Thermodisc	30
02722	4500W 240V 1-3/8" Screw In LWD Duron Style	30	08143	WH Thermostat, Single Element/TOD style	11, 35
02723	WH Element-Duron Screw-In Foldback/LWD	8	08143	WH Thermostat, Single Element, TOD w/ HLC	33
02753	WH Element-Duron Screw-In Ripple Foldback/Ultra LWD	8	08162	Upper Thermostat - Thermodisc	30
02852	1500W 120V Screw In Element LWD Lime Life	30	08163	WH Thermostat, Upper/TOD style	11, 35
02853	WH Element-Screw-in Foldback/Ultra LWD	6	08163	WH Thermostat, Upper TOD w/HLC	33
02862	WH Element-Screw-in/HWD	7	08304	Commercial Thermostat, Upper/TOD	12
02903	WH Element-Screw-in Foldback/Ultra LWD	6	08314	Commercial Thermostat, Lower/TOD	12
02912	3500W 240V Screw In Element LWD Lime Life Foldback	30	08401	Natural Gas Control/White-Rodgers	13
02913	WH Element-Screw-in Foldback/Ultra LWD	6	08421	Natural Gas Control/Robertshaw	13
02922	4500W 240V Screw In Element LWD Lime Life Foldback	30	08461	LP Gas Control/Robertshaw	13
02923	WH Element-Screw-in Foldback/Ultra LWD	6, 33, 34, 35	09072	Gas Control Extender	13
02929	Heater Element-11 Acre Brew Supply/Ultra LWD	8	09253	12" Thermocouple Kit	13
02932	5500W 240V Screw In Element LWD Lime Life Foldback	30	09272	18" Bagged Thermocouple Kit	13, 31
02933	WH Element-Screw-in Foldback/Ultra LWD	6	09273	18" Thermocouple Kit	13
02935	Heater Element-11 Acre Brew Supply/Ultra LWD	8	09291	24" Bagged Thermocouple Kit	13, 31
02952	4500W 240V Screw In Element LWD Lime Life Ripple Foldback	30	09293	24" Thermocouple Kit	13, 33
02953	WH Element-Screw-in Ripple Foldback/Ultra LWD	6	09294	Thermocouple Installation Kit	13
02955	Heater Element-11 Acre Brew Supply/Ultra LWD	8	09312	30" Bagged Thermocouple Kit	13, 31
02962	5500W 240V Screw In Element LWD Lime Life Foldback	30	09313	30" Thermocouple Kit	13
02963	WH Element-Screw-in Ripple Foldback/Ultra LWD	6	09331	36" Bagged Thermocouple Kit	13, 31
02965	Heater Element-11 Acre Brew Supply/Ultra LWD	8	09333	36" Thermocouple Kit	13
02972	WH Element-Screw-in/Ultra LWD	6	09352	48" Bagged Thermocouple Kit	13
03743	WH Element-Flat Flange/HWD	7	09353	48" Thermocouple Kit	13
03923	WH Element-Flat Flange/HWD	7	09882	5" Screw-In Element Wrench/Bulk	15, 31
03943	WH Element-Flat Flange/HWD	7	09883	5" Screw-In Element Wrench/Card	15, 33, 35
04103	WH Element-Flat Flange Foldback/LWD	6	09888	5" Dual Headed Element Wrench/Card	2
04363	WH Element-Universal Flange/HWD	7	09888	5" Dual Headed Wrench for Marathon Elements/Card	15
04383	WH Element-Universal Flange/HWD	7	09889	5" Dual Headed Element Wrench/Bulk	2
04443	WH Element-Universal Flange/HWD	7	09889	5" Dual Headed Wrench for Marathon Elements/Bulk	15
04483	WH Element-Universal Flange/HWD	7	09942	4" Heavy Duty Element Wrench/Bulk	15, 31
04503	WH Element-Universal Flange/HWD	7	09943	4" Heavy Duty Element Wrench/Card	15, 34
04523	WH Element-Universal Flange/HWD	7	09951	Professional Element Socket-Bulk	15
04563	WH Element-Universal Flange/HWD	7	09953	Professional Element Socket-Clam	15, 33, 34, 35
04603	WH Element-Universal Flange/HWD	7	09963	Gas Control Wrench	13
04643	WH Element-Universal Flange/HWD	7	09973	Water Heater Element Quick Change	9
04703	WH Element-Universal Flange Foldback/LWD	6	10023	Water Heater Continuity Tester	12, 33, 34, 35
04732	WH Element-Screw-in/HWD	7	10032	Flexible Water Connector-18"/Copper	14, 31
04752	WH Element-Screw-in/LWD	6	10042	Water Connector 12" Flex Copper 3/4" FIP x 3/4" FIP	31
04762	WH Element-Screw-in/LWD	6	10043	Flexible Water Connector-12"/Copper-Card	14
04803	WH Element Universal Flange Foldback/HWD	7	10045	Flexible Water Connector-12"/Copper	14, 31
04943	WH Element Universal Flange Foldback/Ultra LWD	6	10052	Water Connector 15" Flex Copper 3/4" FIP x 3/4" FIP	31
06822	Screw-in Element Gasket	7	10053	Flexible Water Connector-15"/Copper-Card	14
06842	Flat Flange Element Gasket	7	10055	Flexible Water Connector-15"/Copper	14, 31
06882	Universal Flange Element Gasket	7	10062	Water Connector 18" Flex Copper 3/4" FIP x 3/4" FIP	31
06902	Four-Hole Element Gasket	7	10063	Flexible Water Connector-18"/Copper-Card	14, 33
06912	Dip Tube Gasket	16	10072	Washer for Water Connectors	14, 31
06912	Dip Tube Gaskets-Bag of 25	16	10082	Water Connector 24" Flex Copper 3/4" FIP x 3/4" FIP	31
07013	Plumber's Pack-Standard HWD/T-O-D	9, 35	10083	Flexible Water Connector-24"/Copper-Card	14
07023	Plumber's Pack-Standard HWD/Apcom	9, 34	10085	Flexible Water Connector-24"/Copper	14, 31
07033	Plumber's Pack-Better-LWD/T-O-D	9	10183	WH Connector Kit, Gas-15"/Copper	14, 33
07043	Plumber's Pack-Better-LWD/Apcom	9, 34	10193	WH Connector Kit, Gas or Electric-15"/Copper	14, 33
07044	Plumber's Pack-Best - ULWD/Apcom	9	10196	3/4" Compression x 3/4" NPT Fitting	14
07133	Universal Gasket Kit	7	10205	1/2" Compression x 3/4" NPT Fitting	14
07222	2-1/2" 4-Hex Bolt Adopt-A-Flange	7	10223	WH Connector Kit, Gas or Electric-15"x3/4"/Copper	14
07223	Universal Element Adapter Kit	7	10232	Flexible Gas Connector-24"/Stainless Steel, Coated	14, 31
07722	Lower Thermostat - Apcom Style	30	10322	Gas Leak Detector w/ Sprayer-32 oz	12
07723	WH Thermostat, Lower/Apcom style	10, 34	10324	Gas Leak Detector w/ Sprayer-8 oz	12
07733	WH Thermostat, Lower-Extended Shank/Apcom style	10	10325	Gas Leak Detector w/ Dauber-8 oz	12

10367	Gas Leak Detector-1 gallon	12	11611	Anode Rod w/ Dielectric Nipple-Flexible, 3/4" x 42"/Aluminum.....	16
10368	Gas Leak Detector-55 gallon	12	11612	Anode Rod-Flexible, 5/8" x 42"/Aluminum.....	16
10389	Gas Pressure Test Kit.....	12	11622	Anode Rod w/ Dielectric Nipple, 3/4" x 42"/Aluminum.....	16
10399	Tapered Rubber Nipple for GP Test Kit	12	11623	Anode Rod, 3/4" x 29"/Aluminum.....	16
10409	Hose for GPT Kit.....	12	20183	1" Hose Filter Washers 3/card.....	36
10413	T & P Valve-1/2" w/4" Probe - Lead Free.....	15	20500	Washing Machine Hose, 5', Bag	21
10421	T & P Valve-1/2" w/4" Probe-Box.....	15, 31	20502	Washing Machine Hose, 5', Bulk	21
10423	T & P Valve-1/2" w/4" Probe-Card	15	20600	Dishwasher Drain Pan, White	2, 21
10427	3/4" Inlet/outlet Valve 3/4" w/ 3-5/16" Shank.....	15	20752	Washing Machine Drain Pan, PVC.....	21
10433	T & P Valve-3/4" w/1" Probe - Lead Free.....	15	20756	Washing Machine Drain Pan, CPVC	21
10443	T & P Valve-3/4" w/4" Probe - Lead Free.....	15	20762	Apartment-sized Washing Machine Drain Pan	21
10453	3/4" w/2.5" Shank, 4" Probe - Lead Free	15	20786	Low Profile Washer Drain Pan, White	21
10463	T & P Valve-3/4" w/1" Probe-Card	15	20788	Low Profile Washer Drain Pan, Pewter	21
10471	T & P Valve-3/4" w/4" Probe-Box	15, 31	20800	WH Drain Pan, 20", PVC/Aluminum	18
10473	T & P Valve-3/4" w/4" Probe-Card	15, 33, 35	20801	Unpunched WH Drain Pan, 20", PVC/Aluminum	18
10491	T & P Valve-3/4" w/2-1/2" Shank-Box.....	15, 31	20806	WH Drain Pan, 20", CPVC/Aluminum.....	18
10493	T & P Valve-3/4" w/2-1/2" Shank 4" Probe	33	20810	WH Drain Pan, 26", PVC/Aluminum	18
10493	T & P Valve-3/4" w/2-1/2" Shank-Card.....	15	20811	Unpunched WH Drain Pan, 26", PVC/Aluminum	18
10533	WH Connector Kit, Gas or Electric-18"x3/4"/Copper.....	14	20813	WH Drain Pan, 26", 3" deep, PVC/Aluminum.....	18
10552	T&P Valve Remover, Universal	15	20816	WH Drain Pan, 26"/Aluminum	18
10602	Dielectric Nipples/3" long-Bulk.....	15, 31	20830	WH Drain Pan, 24", PVC/Aluminum	18
10622	Dielectric Nipples/2.5" long-Bulk.....	15, 31	20831	Unpunched WH Drain Pan, 24", PVC/Aluminum	18
10623	Dielectric Nipples/2.5" long-2/card.....	15, 33, 34, 35	20833	WH Drain Pan, 24", 3" deep, PVC/Aluminum.....	18
10634	5" Dielectric Nipples 3/4" x 3/4" NPT 5" long.....	15	20836	WH Drain Pan, 24", CPVC/Aluminum.....	18
10735	Flexible Water Connector-15"/Stainless Steel.....	14, 31	20840	WH Drain Pan, 22", PVC/Aluminum.....	18
10747	Flexible Water Connector-18"/Stainless Steel	14, 31	20841	Unpunched WH Drain Pan, 22", PVC/Aluminum	18
10755	Flexible Water Connector-24"/Stainless Steel	14, 31	20846	WH Drain Pan, 22", CPVC/Aluminum.....	18
10862	Runoff Tube, Side Mount	16	20850	WH Drain Pan, 28", PVC/Aluminum	18
10952	Runoff Tube, Center Top Mount.....	16	20851	WH Drain Pan, 28", CPVC/Aluminum.....	18
10955	Runoff Tube, Center Top Mount-14" H / 59" V.....	16	20860	WH Drain Pan, 30", PVC/Aluminum.....	18
10962	Runoff Tube, Top Mount	16	20861	Unpunched WH Drain Pan, 30", PVC/Aluminum	18
10965	Runoff Tube, Top Mount-9.5" H/ 59" V	16	20866	WH Drain Pan, 30", CPVC/Aluminum.....	18
11061	Flared Dip Tube w/ Gasket.....	16	20868	WH Drain Pan, 32", PVC/Aluminum.....	18
11062	Dip Tube, Flared	16	20870	WH Drain Pan, 32", CPVC/Aluminum.....	18
11162	Dip Tube, Threaded.....	16	20922	WH Drain Pan, 24" Square/Aluminum	19
11163	50.5" Threaded Dip Tube w/5" Nipple.....	16	20932	WH Drain Pan, 30" Square/Aluminum	19
11231	Gas Water Heater Stands-21"x21"	13	22505	90° Water Hose Elbow.....	36
11235	Gas Water Heater Stands-24"x24"	13	22735	25 ft Fresh Water Hose.....	36
11260	WH Drain Pan, 20", PVC/Plastic.....	18	22863	25 ft Contractor Hose	17
11266	WH Drain Pan, 20", CPVC/Plastic.....	18	22873	50 ft Contractor Hose	17
11360	WH Drain Pan, 24", PVC/Plastic.....	18	22883	100 ft Contractor Hose	17
11366	WH Drain Pan, 24", CPVC/Plastic.....	18	22910	12 ft Heated Drinking Water Hose	17
11400	WH Drain Pan, 26", PVC/Plastic.....	18	22911	25 ft Heated Drinking Water Hose	17
11406	WH Drain Pan, 26", CPVC/Plastic.....	18	22912	50 ft Heated Drinking Water Hose	17
11410	WH Drain Pan, 28", PVC/Plastic.....	18	23303	Backflow Preventer, 1/2"	17
11416	WH Drain Pan, 28", CPVC/Plastic.....	18	23402	Backflow Preventer, 3/4"	17, 31
11420	WH Drain Pan, 30", PVC/Plastic.....	18	23503	Dielectric Union 3/4" FIP.....	16
11426	WH Drain Pan, 30", CPVC/Plastic.....	18	25553	Level, Curved Ball (Graduated).....	36
11427	WH Drain Pan, 32", PVC/Plastic.....	18	30027	Boiler Antifreeze, 1 gallon.....	28
11429	WH Drain Pan, 32", Plastic.....	18	30028	Boiler Antifreeze, 55 gallon	28
11430	Tankless Water Heater Drain Pan, PVC, Aluminum.....	19	30029	Boiler Antifreeze, 5 gallon	28
11432	Tankless Water Heater Drain Pan, CPVC, Aluminum	19	30254	Windshield Washer Concentrate, 16 oz.....	29
11442	Drain Pan Fitting Kit 1 1/2" CPVC	18, 19, 31	30256	Windshield Washer Concentrate, 32 oz.....	29
11452	Drain Pan Fitting Kit 1 1/2" PVC.....	18, 19, 31	30297	Xtreme Blue™ Washer Fluid/+32°	29
11460	WH Drain Pan, 22", PVC/Plastic.....	18	30527	Ice Cutter™ Washer Fluid, 1 gallon.....	29
11466	WH Drain Pan, 22", CPVC/Plastic.....	18	30757	Easy Going -50 Antifreeze, 1 gallon	28
11470	Tankless Water Heater Drain Pan, PVC/Plastic	19	30758	Easy Going -50 Antifreeze, 55 gallon	28
11476	Tankless Water Heater Drain Pan, CPVC/Plastic.....	19	30759	Easy Going -50 Antifreeze, 5 gallon	28
11480	WH Corner Drain Pan, 24", PVC/Plastic	18	30807	Arctic Ban -50 Antifreeze, 1 gallon	28
11486	WH Corner Drain Pan, 24", CPVC/Plastic.....	18	30808	Arctic Ban -50 Antifreeze, 55 gallon	28
11502	Brass WH Drain Valve w/Recirculation Elbow.....	17	30809	Arctic Ban -50 Antifreeze, 5 gallon	28
11505	WH Drain Valve - Brass 4-3/8" Shank	17	30907	Xtreme Blue™ Washer Fluid/-20°	29
11512	Water Heater Drain Valve/Brass-Bulk.....	17, 31	30917	Xtreme Blue™ Washer Fluid/-25°	29
11513	Water Heater Drain Valve/Brass-Card.....	17	30977	Xtreme Blue™ Washer Fluid/+20°	29
11522	Water Heater Drain Valve/Plastic-Bulk.....	17, 31	30987	Xtreme Blue™ Washer Fluid/0°.....	29
11523	Water Heater Drain Valve/Plastic-Card	17, 33, 35	31177	-25° Rain Cutter™ Washer Fluid, 1 gallon.....	29
11533	Anode Rod with Drain - for Atwood water heaters	16	31178	-25° Rain Cutter™ Washer Fluid, 55 gallon.....	29
11543	WH Drain Valve - Plastic 3" Shank.....	17	31187	+32° Rain Cutter Washer Fluid	29
11553	Anode Rod for Atwood Water Heaters	16	32037	0° Rain Cutter™ Washer Fluid	29
11563	Anode Rod for Suburban Water Heaters.....	16, 36	33118	Boiler AL Antifreeze, 55 gallon	28
11572	Anode Rod, 5/8" x 42"/Aluminum.....	16	33119	Boiler AL Antifreeze, 5 gallon	28
11582	Anode Rod, 3/4" x 42"/Aluminum.....	16	33128	Boiler Antifreeze, Ready-To-Use, 55 gallon	28
11593	Anode Rod for Atwood Water Heaters-10 gallon.....	16	33129	Boiler Antifreeze, Ready-To-Use, 5 gallon	28

33325	PG38 Fire Sprinkler Antifreeze, 275 gallon	29	51924	Currituck Tumbler Handle-30 oz-Pink	3
33327	PG38 Fire Sprinkler Antifreeze, 1 gallon	29	51925	Currituck Tumbler Handle-30 oz-Blue.....	3
33328	PG38 Fire Sprinkler Antifreeze, 55 gallon	29	51926	Currituck Tumbler Handle-30 oz-Orange	3
33329	PG38 Fire Sprinkler Antifreeze, 5 gallon	29	51927	Currituck SS Food Container-12 oz-Orange.....	3
33335	GL48 Fire Sprinkler Antifreeze, 275 gallon	29	51928	Currituck SS Food Container-12 oz-Seafoam	3
33337	GL48 Fire Sprinkler Antifreeze, 1 gallon	29	51929	Currituck SS Food Container-12 oz-Raspberry	3
33338	GL48 Fire Sprinkler Antifreeze, 55 gallon	29	51930	Currituck SS Food Container-12 oz-Charcoal	3
33339	GL48 Fire Sprinkler Antifreeze, 5 gallon	29	51931	Currituck SS Food Container-18 oz-Orange.....	3
35106	Inhibitor Re-Charge for Boiler Antifreeze.....	28	51932	Currituck SS Food Container-18 oz-Seafoam	3
36011	Boiler Antifreeze Test Strips	28	51933	Currituck SS Food Container-18 oz-Raspberry	3
36103	Blow Out Plug Plastic.....	36	51934	Currituck SS Food Container-18 oz-Charcoal	3
39144	Easy Slip Sewer Elbow.....	36	51935	Currituck SS Bottle-12 oz-Standard Mouth-Orange	3
39163	Easy Slip Internal Hose Coupler.....	36	51936	Currituck SS Bottle-12 oz-Standard Mouth-Raspberry.....	3
39173	Easy Slip Straight Hose Adapter	36	51937	Currituck SS Bottle-12 oz-Standard Mouth-Seafoam.....	3
39413	Straight Sewer Hose Adapter.....	36	51938	Currituck SS Bottle-12 oz-Standard Mouth-Charcoal	3
39463	RV Sewer Cap w/Hose Connector.....	36	51939	Currituck SS Bottle-20 oz-Standard Mouth-Orange	3
39551	Easy Slip Ready To Use Sewer Kit	36	51940	Currituck SS Bottle-20 oz-Standard Mouth-Raspberry.....	3
39553	Twist It Clamp 3"	36	51941	Currituck SS Bottle-20 oz-Standard Mouth-Seafoam.....	3
39621	HTS 10' Heavy Duty Sewer Hose	36	51942	Currituck SS Bottle-20 oz-Standard Mouth-Charcoal	3
39631	HTS 20' Heavy Duty Sewer Hose	36	51943	Currituck SS Bottle-24 oz-Wide Mouth-Orange.....	3
39761	RhinoFLEX Kit	36	51944	Currituck SS Bottle-24 oz-Wide Mouth-Raspberry	3
40043	TastePure KDF Water Filter.....	36	51945	Currituck SS Bottle-24 oz-Wide Mouth-Seafoam.....	3
40055	3/4" Brass Water Pressure Regulator.....	17, 36	51946	Currituck SS Bottle-24 oz-Wide Mouth-Charcoal.....	3
40103	Holding Tank Rinser.....	36	51947	Currituck SS Bottle-36 oz-Wide Mouth-Orange.....	3
40143	3/4" Plastic Water Pressure Regulator.....	17	51948	Currituck SS Bottle-36 oz-Wide Mouth-Raspberry	3
40206	TastePure Drinking Water Freshener 16 oz	36	51949	Currituck SS Bottle-36 oz-Wide Mouth-Seafoam	3
40221	TST Singles.....	36	51950	Currituck SS Bottle-36 oz-Wide Mouth-Charcoal.....	3
40252	TST Grey Water Odor Control 32 oz	36	51956	Currituck SS Growler-64 oz-Stainless Steel	3
40274	RV & Marine Toilet Tissue, 4/pk,2ply, 500 sheets	36	51957	Currituck SS Food Container-12 oz-Stainless Steel	3
41008	Black Streak Remover, Pro-Strength 32 oz	36	51969	Currituck Tumbler Handle-12 oz-Black	3
41024	Awning Cleaner, Pro-Strength 32 oz	36	51970	Currituck Tumbler Handle-12 oz-Pink	3
41189	TST Orange Drop-Ins, 15/bag.....	36	51971	Currituck Tumbler Handle-12 oz-Blue.....	3
41192	TST Orange Power Holding Tank Chemical	36	51972	Currituck Tumbler Handle-12 oz-Orange	3
42061	De-Flapper	36	51978	Currituck Cold Pack-Small.....	3
42123	Gutter Extensions, 4 pack.....	36	51979	Currituck Cold Pack-Medium	3
42563	RV Awning Stabilizer Kit.....	36	51980	Currituck Cold Pack-Large.....	3
42733	RV Fabric Awning Hooks.....	36	51985	Currituck SS Bottle-36 oz-Wide Mouth-Stainless Steel	3
42993	Collapsible Bucket-Blue	9	51986	Currituck SS Bottle-24 oz-Wide Mouth-Stainless Steel	3
42994	Collapsible Bucket-Camouflage.....	9	51987	Currituck SS Bottle-20 oz-Standard Mouth-Stainless Steel	3
43041	15' Sidewinder Sewer Hose Support.....	36	51988	Currituck SS Bottle-12 oz-Standard Mouth-Stainless Steel	3
43511	Mini-Dish Drainer.....	36	51989	Currituck SS Food Container-18 oz-Stainless Steel	3
44412	Wheel Chock.....	36	55163	PowerGrip 15M/30F amp 12" Elec.Adptr.....	36
44560	Stabilizer Jacks 4/Box	36	55173	PowerGrip 50M/30F amp 18" Adptr.....	36
44573	Tri-Leveler, Yellow	36	55183	PowerGrip 30M/50F amp 18" Elec.Adptr.....	36
51091	Portable Fire Ring.....	26	55191	PowerGrip 30 amp 25' Ext. Cord w/ Handles.....	36
51700	Currituck Cooler-50 qt-White/Gray	3	55223	15M / 30F amp Power Grip Adapter	36
51701	Currituck Cooler-50 qt-White/Cyan.....	3	55233	30M / 15F amp Power Grip Adapter	36
51702	Currituck Cooler-50 qt-Cyan/Gray.....	3	57416	Butane Fuel, 78 gram	27
51703	Currituck Cooler-50 qt-Gray/Magenta	3	57433	GM3 GasMatch, 14-3/4"	27
51704	Currituck Cooler-50 qt-Olive/Orange	3	57435	GM4 GasMatch.....	27
51710	Currituck Cooler-30 qt-White/Gray	3	57473	GM9 GasMatches	27
51711	Currituck Cooler-30 qt-White/Cyan.....	3	57496	Butane Fuel, 165 Grams.....	27
51712	Currituck Cooler-30 qt-Cyan/Gray.....	3	57533	GM12 Multi-Sparker	27
51713	Currituck Cooler-30 qt-Gray/Magenta	3	57543	GM3X GasMatch, 26" - 15" flex extender	27
51714	Currituck Cooler-30 qt-Olive/Orange.....	3	57549	GM3X GasMatch, 26" - 15" flex extender - w/o butane.....	27
51790	Currituck Cooler Rod Holder	3	57561	GM12X Multi-Sparker.....	27
51791	Currituck Cooler Cup Holder	3	57684	GM3XE GasMatch, 40-3/4" - 36" flex extender	27
51792	Currituck Cooler Divider-30 qt.....	3	58031	Little Red Campfire	26
51793	Currituck Cooler Divider-50 qt.....	3	58035	Big Red Campfire	26
51794	Currituck Cooler Cutting Board-30 qt.....	3	58041	Propane Campfire.....	26
51795	Currituck Cooler Cutting Board-50 qt.....	3	59213	Propane Adapter (for use with 1-lb bottle)	26
51848	Currituck Slider Lid-12 & 20 oz.....	3	61226	RV Products Display.....	36
51849	Currituck Slider Lid-30 oz	3	61585	Water Heater Repair Parts Display	33
51860	Currituck SS Tumbler-12 oz-with Slider Lid	3	61595	Water Heater Display (TOD)	35
51861	Currituck SS Tumbler-20 oz-with Slider Lid	3	61605	Range Accessories Display.....	32
51862	Currituck SS Tumbler-30 oz-with Slider Lid	3	61675	Water Heater Display (Apcom).....	34
51863	Currituck SS Curricoozie Can Holder	3	65401	Freeze-Check Refractometer	28
51919	Currituck Tumbler Handle-20 oz-Black	3	70040	Water Heater Troubleshooting Manual	1
51920	Currituck Tumbler Handle-20 oz-Pink	3			
51921	Currituck Tumbler Handle-20 oz-Blue	3			
51922	Currituck Tumbler Handle-20 oz-Orange.....	3			
51923	Currituck Tumbler Handle-30 oz-Black	3			

A

Anode Rods and Accessories.....	16
Dielectric Unions.....	16
Residential Water Heater Anode Rods.....	16
Runoff Tubes.....	16
RV & Marine Water Heater Anode Rods.....	16
Water Inlet Dip Tubes.....	16
Antifreeze for Boiler Systems.....	28
Boiler Antifreeze Test Strips.....	28
FreezeCheck Refractometer.....	28
Inhibitor Re-Charge for Boiler Antifreeze.....	28
Antifreeze for Fire Sprinkler Systems.....	29
Antifreeze for Potable Water Systems.....	28

B

Bake & Broil Elements.....	24, 25
Bucket, Collapsible.....	9
Bulk Parts Program.....	30, 31

C

Currituck Products.....	3, 42
Cooler Accessories.....	3
Coolers.....	3, 42
Stainless Steel Bottles.....	3, 42
Stainless Steel Food Containers.....	3
Stainless Steel Tumblers.....	3, 42
Tumbler Accessories.....	3

D

Dielectric Nipple.....	15
Dishwasher Drain Pan.....	2, 21
Displays.....	
Range Accessories.....	32
RV Products.....	36
Water Heater Repair.....	33
Water Heater Repair (Apcom).....	34
Water Heater Repair (Thermodisc).....	35
Drain Pans and Fittings.....	18, 19
Drain Valves and Water Hoses.....	17
Backflow Preventers.....	17
Contractor Water Hoses.....	17
Heated Drinking Water Hoses.....	17
Water Heater Drain Valve.....	17
Water Pressure Regulators.....	17

G

Gas Leak Testing.....	12
Gas Matches.....	27
Gas Water Heater Parts & Accessories.....	13
Gas Control.....	13
Gasket Replacement Kit (FVIR).....	13
Gas Water Heater Stand.....	13
Thermocouples.....	13
Universal Gas Control Wrench.....	13

H

Heat Traps.....	15
-----------------	----

P

Plumber's Packs.....	9
Propane Campfires.....	26
Big Red Campfire.....	26
Little Red Campfire.....	26
Portable Fire Ring.....	26
Portable Propane Campfire.....	26
Propane Adapter.....	26

R

Range, Electric, Drip Pans and Bowls.....	23
Range, Gas, Reflector Drip Pans.....	23
Range Knobs.....	23
Range Repair Parts.....	22
Refractometer.....	28

S

Sparker Igniters.....	27
-----------------------	----

T

Thermostat Kit with Jumper Wire.....	11
Top Burners for Electric Ranges.....	22
Deluxe Plug-In Universal.....	22
Economy Plug-In Universal.....	22
GE/Hotpoint Plug-In.....	22
GE/Hotpoint w/Porcelain Connector.....	22
T & P Valves.....	15
Troubleshooting Manuals.....	
Water Heater Manual.....	1

W

Washing Machine Drain Pans.....	21
Washing Machine Hoses.....	21
Water Heater Accessories.....	15
Water Heater Connectors & Kits.....	14
Compression Fittings.....	14
Connectors.....	14
Water Heater Connector Kits.....	14
Water Heater Element Conversion Kit.....	7
Water Heater Element Gaskets.....	7
Water Heater Elements.....	6, 7, 8
All-Stainless Elements Ultra LWD.....	8
Duron® LWD and Ultra LWD.....	8
High Watt Density.....	7
Instantaneous/Tankless Elements HWD.....	2, 8
Lime Life-Ultra LWD.....	6
Low Watt Density.....	6
Marathon Elements ULWD.....	2, 8
Water Heater Element Wrenches.....	2, 15
Water Heater Repair.....	9
Water Heater Element Quick Change.....	9
Water Heater Repair Kits.....	9
Water Heater Thermostats.....	10, 11, 12
Apcom Style.....	10
Therm-O-Disc Style.....	11, 12
Water Heater Tester.....	12
Windshield Washer Fluid.....	29



CURRITUCK®

CURRITUCK COOLERS



SUPERIOR
ICE RETENTION



See page 3 for all sizes and color combinations.

CURRITUCK WATER BOTTLES



CURRITUCK TUMBLERS



CAMCO USA

**CamcoUSA / 121 Landmark Drive / Greensboro, NC 27409 / www.camco.net
PlumbingPO@camco.net / 800-334-2004 / Fax: 336-668-2049**