

# SSCEPBV SERIES - 304 STAINLESS STEEL COLD EXPANSION PEX (CEP) BALL VALVE

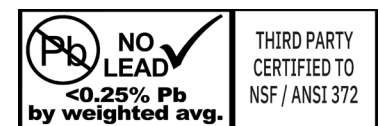
## SPECIFICATIONS:

- For use with ASTM F2769-22 tubing (Standard Specification for Polyethylene of Raised Temperature (PE-RT/SDR9) Plastic Hot and Cold Potable Water Tubing and Distribution Systems)
- For use with ASTM F2623-22 tubing (Standard Specification for Polyethylene of Raised Temperature (PE-RT/SDR9) Systems for Non-Potable Water Applications)
- For use with ASTM F876-23 PEX pipe (Standard Specification for Crosslinked Polyethylene (PEX/SDR9) Tubing that is Outside Diameter Controlled)
- Cold expansion PEX ends conform to ASTM F1960
- Maximum pressure rating: 600 PSI CWP
- CWP - Cold Working Pressure, is an indication of the pressure rating for valves at a temperature range of up to +100 °F (37 °C)
- Maximum temperature rating: -40 °F to 200 °F (-40 °C to 93 °C)
- Full port design
- Two piece investment cast body
- Blow out proof stem, double O-ring seal
- Solid stainless steel ball
- Stainless steel handle with blue plastic sleeve
- Historically compatible only with PEX-A PEX pipe. Some manufacturer's are stating their PEX-B PEX pipe is compatible with cold expansion fittings. It is the sole responsibility of the installer to confirm the piping is suitable for CEP applications.



## CERTIFICATIONS:

- cUPC Listed
- NSF/ANSI 61 Certified (Drinking Water System Components - Health Effects)
- NSF/ANSI 372 Certified (Drinking Water System Components - Lead Content)
  - SS alloys do not contain any lead, 0.00% Pb

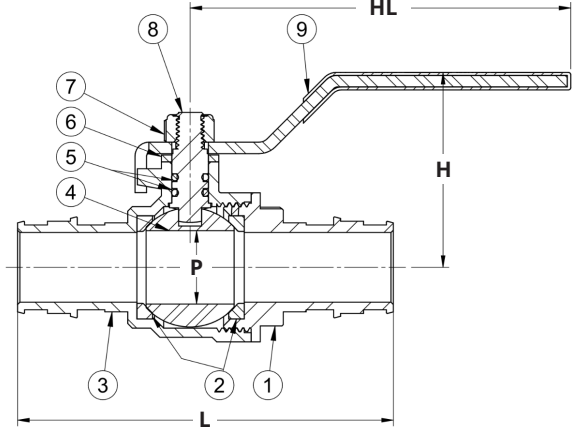


**BOSHART**  
INDUSTRIES

25 Whaley Avenue, PO Box 310, Milverton, ON CANADA N0K 1M0  
Tel: 800-561-3164

[boshart.com](http://boshart.com) ♦ [blog.boshart.com](http://blog.boshart.com)

MATERIAL LIST			
Part No.	Part Name	Qty.	Material
1	End Cap	1	304 Stainless Steel
2	Seat	2	PTFE (Polytetrafluoroethylene)
3	Valve Body	1	304 Stainless Steel
4	Ball	1	304 Stainless Steel
5	Stem O-rings	2	NBR (Nitrile Butadiene Rubber)
6	Handle Seat	1	PTFE
7	Hex Lock Nut	1	304 Stainless Steel
8	Stem	1	304 Stainless Steel
9	Handle	1	304 Stainless Steel with PVC sleeve



DIMENSIONS											
Part No.	Size	L		H		HL		P		Weight	
		in	mm	in	mm	in	mm	in	mm	lbs	grams
SSCEPBV-05	1/2"	2.50	63.5	1.53	38.8	3.27	83.0	0.38	9.70	0.28	128
SSCEPBV-07	3/4"	3.22	81.9	1.67	42.5	3.27	83.0	0.60	15.2	0.46	208
SSCEPBV-10	1"	3.82	97.0	1.97	49.9	4.13	105.0	0.80	20.2	0.73	330

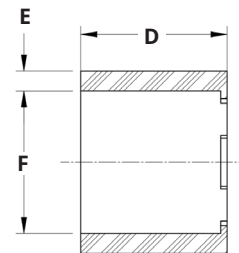
## SSCEPBV SERIES - REPLACEMENT PARTS

### 720CEP-EC SERIES - EXPANSION COLLAR

- For use with cold expansion PEX fittings
- Dimensional tolerances as per ASTM F1960



Part No.	Description	D		E		F	
		in	mm	in	mm	in	mm
720CEP-EC05	1/2" CEP Collar	0.63	16.0	0.12	3.12	0.63	16.1
720CEP-EC07	3/4" CEP Collar	0.87	22.0	0.12	3.12	0.88	22.4
720CEP-EC10	1" CEP Collar	1.10	28.0	0.14	3.63	1.13	28.8



For more information on installation, adjustment, repair & operation, visit Boshart Knowledge Base at

SUPPORT.BOSHART.COM



**BOSHART**  
INDUSTRIES

25 Whaley Avenue, PO Box 310, Milverton, ON CANADA N0K 1M0  
Tel: 800-561-3164

boshart.com ♦ blog.boshart.com