

710CEP SERIES POLY-ALLOY COLD EXPANSION PEX FITTINGS

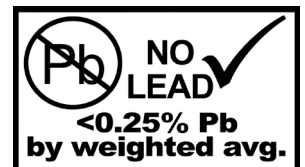
Cold Expansion PEX fittings are resistant to chemicals in corrosive and aggressive water conditions. They are designed for use in ASTM F1960 PEX cold and hot water distribution systems using SDR9 PEX tubing. A large internal diameter provides maximum flow through the fitting. There are integral locating tabs to ensure tubing and fitting are installed properly. The expansion connection method provides a positive and leak free seal.

SPECIFICATIONS:

- For use with ASTM F2769, (PE-RT) SDR9 pipe
- For use with ASTM F876 or F3253 PEX pipe
- Cold Expansion PEX end conform to ASTM F1960
- ASTM F1960 CEP fittings have larger inside diameter than ASTM F2159 poly crimp type PEX fittings and ASTM F1807 metal crimp type PEX fittings, providing maximum water flow
- No crimp, expansion connection method provides a positive and leak free connection
- Threads conform to ASME B1.20.1
- Working Pressure Rating: 100 PSI
- Temperature Range: Up to 180°F (82°C)
- Made of polyalloy plastic (PPSU)
- Compatible only with PEX-A PEX pipe

CERTIFICATION:

- cUPC Standard ASTM F877/F1960 & CSA B137.5
- NSF/ANSI Standard 61 & 372 Certified
- NSF Standard 14 Certified (Canadian made fittings marked DMT only)



BOSHART
INDUSTRIES

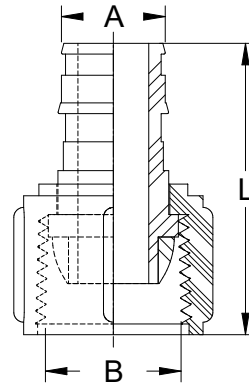
25 Whaley Avenue, PO Box 310, Milverton, ON CANADA N0K 1M0
Tel: 800-561-3164

boshart.com ♦ blog.boshart.com

POLY-ALLOY COLD EXPANSION PEX FITTINGS

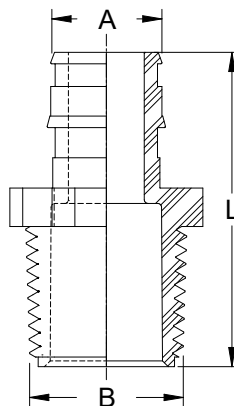
Adapter - CE PEX x FPT

Swivel on FPT connection



Part No.	Nominal Pipe Size		L	
	A	B	inches	mm
710CEP-FA05S	1/2"	1/2"	1.569	39.85

Adapter - CE PEX x MPT

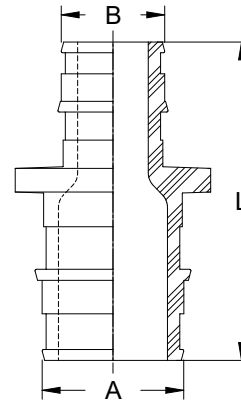


Part No.	Nominal Pipe Size		L	
	A	B	inches	mm
710CEP-MA05	1/2"	1/2"	1.602	40.69
710CEP-MA0507	1/2"	3/4"	1.622	41.20
710CEP-MA07	3/4"	3/4"	1.863	47.32
710CEP-MA10*	1"	1"	2.106	53.50

* Canadian made marked DMT

POLY-ALLOY COLD EXPANSION PEX FITTINGS

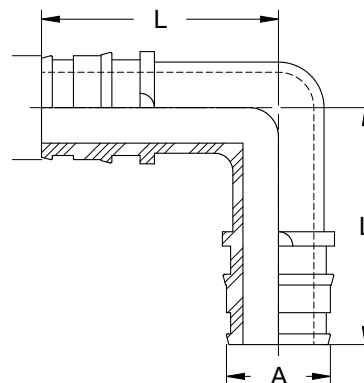
Coupling - CE PEX



Part No.	Nominal Pipe Size		L	
	A	B	inches	mm
710CEP-C05	1/2"	1/2"	1.572	39.93
710CEP-C07	3/4"	3/4"	2.043	51.89
710CEP-C0705	3/4"	1/2"	1.807	45.90
710CEP-C10*	1"	1"	2.484	63.09
710CEP-C1007*	1"	3/4"	2.251	57.18

* Canadian made marked DMT

90° Elbow - CE PEX



Part No.	Nominal Pipe Size		L1	
	A	B	inches	mm
710CEP-E05	1/2"	1/2"	1.325	33.66
710CEP-E07	3/4"	3/4"	1.780	45.21
710CEP-E10*	1"	1"	1.980	50.29

* Canadian made marked DMT

BOSHART
INDUSTRIES

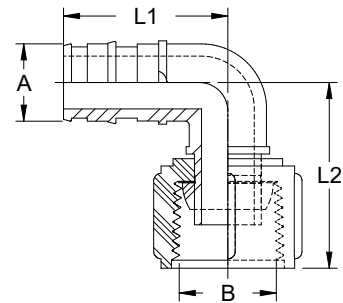
25 Whaley Avenue, PO Box 310, Milverton, ON CANADA N0K 1M0
Tel: 800-561-3164

boshart.com ♦ blog.boshart.com

POLY-ALLOY COLD EXPANSION PEX FITTINGS

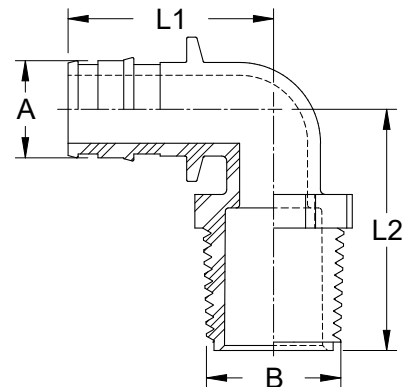
90° Elbow - CE PEX x FPT

Swivel on FPT connection



Part No.	Nominal Pipe Size		L1		L2	
	A	B	inches	mm	inches	mm
710CEP-FE05S	1/2"	1/2"	1.293	32.84	1.296	32.92

90° Elbow - CE PEX x MPT



Part No.	Nominal Pipe Size		L1		L2	
	A	B	inches	mm	inches	mm
710CEP-ME05*	1/2"	1/2"	1.225	31.12	1.438	36.53

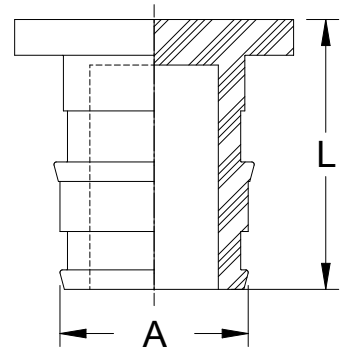
* Canadian made marked DMT

POLY-ALLOY COLD EXPANSION PEX FITTINGS

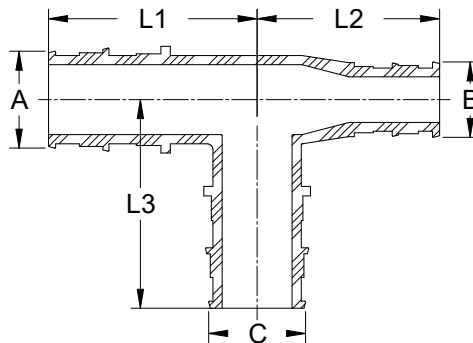
Plug -Crimp PEX

Part No.	Nominal Pipe Size	L	
		inches	mm
710CEP-P05	1/2"	0.830	21.08
710CEP-P07	3/4"	1.070	27.18
710CEP-P10*	1"	1.313	33.35

* Canadian made marked DMT



Tee -CE PEX



Part No.	Nominal Pipe Size			L1		L2		L3	
	A	B	C	inches	mm	inches	mm	inches	mm
710CEP-T05	1/2"	1/2"	1/2"	1.326	33.68	1.326	33.68	1.326	33.68
710CEP-T050507	1/2"	1/2"	3/4"	1.340	34.00	1.340	34.00	1.586	40.28
710CEP-T07	3/4"	3/4"	3/4"	1.781	32.00	1.781	32.00	1.78	32.00
710CEP-T070505	3/4"	1/2"	1/2"	1.772	45.00	1.533	38.94	1.53	38.86
710CEP-T070507	3/4"	1/2"	3/4"	1.769	44.93	1.533	38.94	1.769	44.93
710CEP-T070705	3/4"	3/4"	1/2"	1.574	40.00	1.574	40.00	1.519	38.58
710CEP-T10*	1"	1"	1"	1.98	50.29	1.98	50.29	1.98	50.29
710CEP-T100707*	1"	3/4"	3/4"	1.865	47.37	1.625	41.28	1.723	43.76
710CEP-T100710*	1"	3/4"	1"	1.96	49.78	1.78	45.21	1.989	50.52
710CEP-T101005*	1"	1"	1/2"	1.75	44.45	1.75	44.45	1.487	37.77
710CEP-T101007*	1"	1"	3/4"	1.865	47.37	1.865	47.37	1.619	41.12

* Canadian made marked DMT

BOSHART
INDUSTRIES

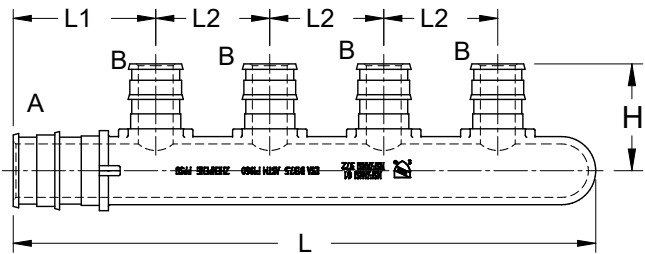
25 Whaley Avenue, PO Box 310, Milverton, ON CANADA N0K 1M0
Tel: 800-561-3164

boshart.com ♦ blog.boshart.com

© 2020 Boshart Industries Inc. All Rights Reserved.

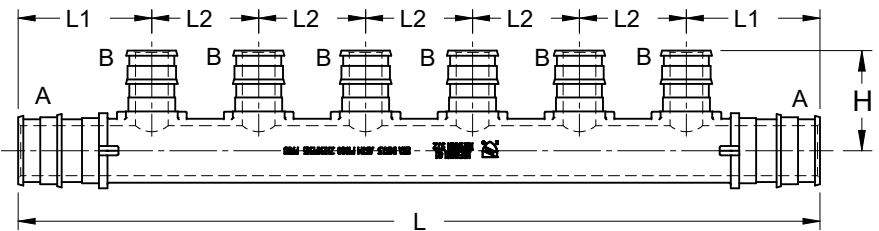
POLY-ALLOY COLD EXPANSION PEX MANIFOLDS

Closed - 3/4" x 1/2" CE PEX



Part No.	Nominal Pipe Size		No. of Outlet Connections (B)	L1		L2		L		H	
	A	B		inches	mm	inches	mm	inches	mm	inches	mm
710CEP-MFC307	3/4"	1/2"	3	1.575	40	1.26	32	5.178	131.5	1.556	39.5
710CEP-MFC407	3/4"	1/2"	4	1.575	40	1.26	32	6.438	163.5	1.556	39.5

Open - 3/4" x 1/2" CE PEX



Part No.	Nominal Pipe Size		No. of Outlet Connections (B)	L1		L2		L		H	
	A	B		inches	mm	inches	mm	inches	mm	inches	mm
710CEP-MFO207	3/4"	1/2"	2	1.575	40	1.26	32	4.41	112	1.556	39.5
710CEP-MFO307	3/4"	1/2"	3	1.575	40	1.26	32	5.67	144	1.556	39.5
710CEP-MFO407	3/4"	1/2"	4	1.575	40	1.26	32	6.93	176	1.556	39.5
710CEP-MFO607	3/4"	1/2"	6	1.575	40	1.26	32	9.45	240	1.556	39.5

POLY-ALLOY COLD EXPANSION PEX FITTINGS

Expansion Collar for use with CE PEX fittings



Part No.	Size
720CEP-EC05	1/2"
720CEP-EC07	3/4"
720CEP-EC10	1"

BOSHART
INDUSTRIES

25 Whaley Avenue, PO Box 310, Milverton, ON CANADA N0K 1M0
Tel: 800-561-3164

boshart.com ♦ blog.boshart.com