

710CEP-MA(FA) SERIES POLY-ALLOY (PPSU) COLD EXPANSION PEX FITTING ADAPTER

FEATURES:

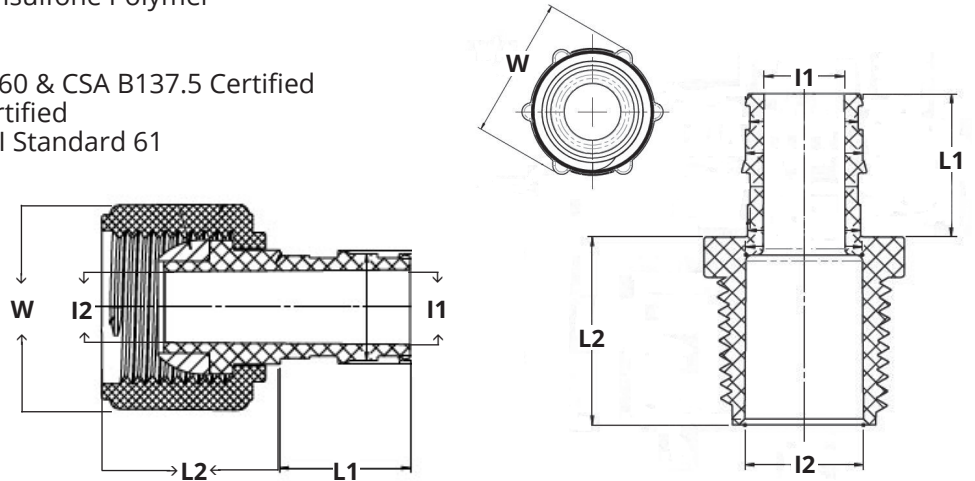
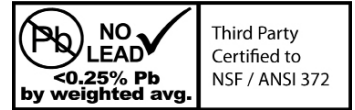
- Designed for use in ASTM F1960 Cold Expansion PEX cold and hot water distribution systems
- For use with SDR9 PEX tubing utilizing a PEX expansion ring system
- Larger internal diameter in the fittings providing maximum water flow
- Poly-Alloy material provides resistance to chemicals and in corrosive/aggressive water conditions
- Integral locating tabs to ensure tubing and fitting are installed properly and eliminates faulty connections
- No crimp, expansion connection method provides a positive and leak free connection

SPECIFICATION:

- Max Pressure Rating: 100 PSI
- Max Temperature Rating: 180°F (82°C)
- Solvay Acudel® PPSU Polyphenylsulfone Polymer

CERTIFICATION:

- cUPC Standard ASTM F877 / F1960 & CSA B137.5 Certified
- NSF/ANSI Standard 14 & 372 Certified
- Material complies with NSF/ANSI Standard 61



DIMENSIONS												
Part No.	Size	I1		I2		L1		L2		W		Weight grams
		inches	mm	inches	mm	inches	mm	inches	mm	inches	mm	
710CEP-MA05	1/2" x 1/2" MNPT	0.40	10.03	0.59	14.86	0.71	17.96	0.93	23.62	0.99	25.10	6.83
710CEP-MA0507	1/2" x 3/4" MNPT	0.40	10.03	0.75	19.05	0.71	17.96	0.93	23.62	1.23	31.32	9.93
710CEP-MA07	3/4" x 3/4" MNPT	0.60	15.24	0.75	19.05	0.94	23.95	0.93	23.62	1.23	31.32	13.50
710CEP-MA10	1" x 1" MNPT	0.80	20.32	0.95	24.13	1.18	29.87	0.93	23.62	1.46	37.16	17.70
710CEP-FA05S	1/2" x 1/2" FNPT SWIVEL	0.41	10.29	0.41	10.29	0.71	17.96	0.97	24.71	1.10	28.04	9.39



25 Whaley Avenue, PO Box 310, Milverton, ON CANADA N0K 1M0
Tel: 800-561-3164

boshart.com ♦ blog.boshart.com