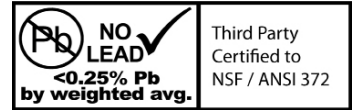


# 710CEP-(F)(M)E SERIES POLY-ALLOY (PPSU) COLD EXPANSION PEX FITTING - ELBOW

## FEATURES:

- Designed for use in ASTM F1960 Cold Expansion PEX cold and hot water distribution systems
- For use with SDR9 PEX tubing utilizing a PEX expansion ring system
- Larger internal diameter in the fittings providing maximum water flow
- Poly-Alloy material provides resistance to chemicals and in corrosive/aggressive water conditions
- Integral locating tabs to ensure tubing and fitting are installed properly and eliminates faulty connections
- No crimp, expansion connection method provides a positive and leak free connection

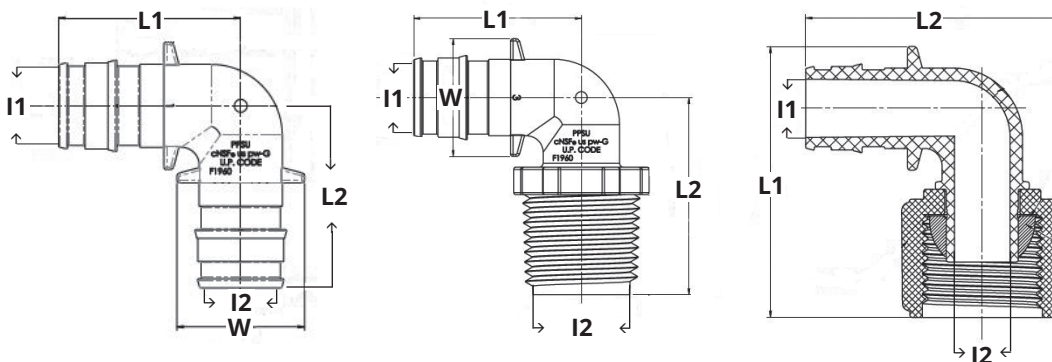


## SPECIFICATION:

- Max Pressure Rating: 100 PSI
- Max Temperature Rating: 180°F (82°C)
- Solvay Acudel® PPSU Polyphenylsulfone Polymer

## CERTIFICATION:

- cUPC Standard ASTM F877 / F1960 & CSA B137.5 Certified
- NSF/ANSI Standard 14 & 372 Certified
- Material complies with NSF/ANSI Standard 61



## DIMENSIONS

Part No.	Size	I1		I2		L1		L2		W		Weight grams
		inches	mm	inches	mm	inches	mm	inches	mm	inches	mm	
710CEP-E05	1/2"	0.41	10.29	0.41	10.29	1.23	31.12	1.23	31.12	0.86	21.84	8.05
710CEP-E07	3/4"	0.61	15.49	0.61	15.49	1.63	41.28	1.63	41.28	1.12	28.35	12.32
710CEP-E10	1"	0.81	20.57	0.81	20.57	1.98	50.29	1.98	50.29	1.35	34.34	22.45
710CEP-FE05S	1/2" x 1/2" FNPT SWIVEL	0.41	10.29	0.41	10.29	1.88	47.80	1.78	45.31	---	---	11.45
710CEP-ME05	1/2" x 1/2" MNPT	0.41	10.29	0.59	14.86	1.23	31.12	1.44	36.53	0.86	21.84	9.29



25 Whaley Avenue, PO Box 310, Milverton, ON CANADA N0K 1M0  
Tel: 800-561-3164

[boshart.com](http://boshart.com) ♦ [blog.boshart.com](http://blog.boshart.com)