

SHOWERCAST PORCELAIN ENAMEL 60" x 30" X 4" SHOWER BASE (SQUARE DRAIN)



- 010-1002 SLIP-RESISTANT – RH SQUARE DRAIN
- 010-1003 SLIP-RESISTANT – LH SQUARE DRAIN

DESCRIPTION:

The ShowerCAST is a 60" x 30" x 4" porcelain enameled steel shower base designed for new installations and remodel applications where an easy-access shower solution is desired. Available with modern square or classic round drain styling, Bootz ShowerCAST is a step above plastic/composite competitors, inviting quality upgrades to residential, hospitality and commercial (hotel, motel and multi-housing) applications. ShowerCAST is constructed of one-piece heavy gauge seamless steel with an acid-resistant, high-gloss, sanitary, and stain-resistant porcelain enamel finish. ShowerCAST fits into the footprint of a typical industry-standard 5' bathtub alcove, shares a similar drain-hole location (for easier remodel plumbing), weighs only 45 lbs., and is very easy to install - just set it and level it'. The full length support pad provides added strength for better durability, flat base for ease of installation, and noise absorbing capabilities for a luxurious peaceful shower. This product is compatible or complies with ASME A112.19.1/CSA B45.2 (Standard for Enameled Steel Plumbing Fixtures), ADA (American Disabilities Act), ASTM F 462 (Safety Specification for Slip Resistant Bathing Facilities), WW-P 541 (U.S. Military Federal Specification), HUD-FHA-VA, LEED, and the Buy American Act, as applicable when installed accordingly. Available in white with a right or left hand drain. Square drain models include drain kit in your choice of finish. Made in the USA.

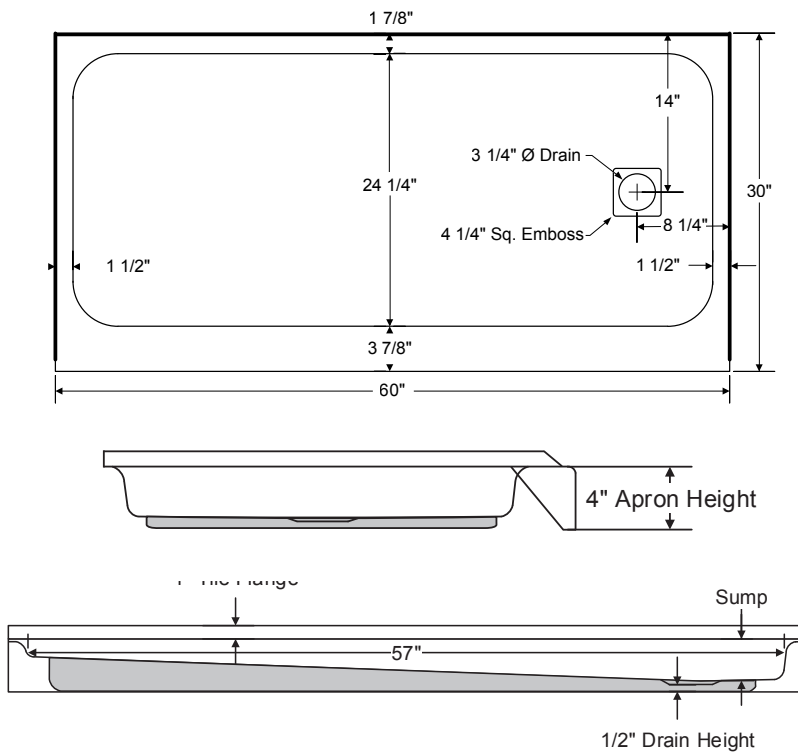
Weight: 45 lbs



SHOWERCAS^T PORCELAIN ENAMEL 60" x 30" X 4" SHOWER BASE

Showercas^T 5' Shower Base 60" x 30" x 4" Weight: 45 lbs Standard Outlet

010-1002-00 CH	RH White Chrome Grid	010-1003-00 CH	LH White Chrome Grid
010-1002-00 BN	RH White Brushed Nickel Grid	010-1003-00 BN	LH White Brushed Nickel Grid
010-1002-00 DB	RH White Dark Bronze Grid	010-1003-00 DB	LH White Dark Bronze Grid
010-1002-00 MB	RH White Matte Black Grid	010-1003-00 MB	LH White Matte Black Grid
010-1002-00 BG	RH White Brushed Gold Grid*	010-1003-00 BG	LH White Brushed Gold Grid



Complies with:

All fixtures are compatible or comply with ANSI, ASME, CSA, WW-P 541, HUD-FHA-VA, LEED and the "Buy America Act" where applicable when installed accordingly.

Standard Features:

- Full length sound deadening pad
- Slip resistant bottom
- Set it and level it

Made in the USA



All Dimensions +/- 1/8" unless otherwise noted.
Dimensions shown are for reference.
Actual dimensions may vary slightly and should be checked prior to installation
Rev. 7/19