

INSTALLATION INSTRUCTIONS

BCW1

Wall-Mounted Air Handler

This manual must be left with the homeowner for future reference.



This is a safety alert symbol and should never be ignored. When you see this symbol on labels or in manuals, be alert to the potential for personal injury or death.

General

These instructions are intended as a general guide and do not supersede local codes in any way. Consult with authorities having jurisdiction before installation.

BCW1 air handlers are suitable for closet or flush mount installations and are designed for electrical heat installation with a matched remote outdoor unit. These units are designed for indoor installations only.

IMPORTANT

The Clean Air Act of 1990 bans the intentional venting of refrigerant (CFCs and HFCs) as of July 1, 1992. Approved methods of reclaiming must be followed. Fines and/or incarceration may be levied for non-compliance.

Check equipment for shipping damage. If you find any damage, immediately contact the last carrier.

Check the unit rating plate for unit size, electric heat, coil, voltage, phase etc. to be sure unit matches requirements.

Requirements

The installation of the air handler, field wiring, air ducts, etc. must conform to the requirements of the National Electrical Code, ANSI/NFPA No. 70 (latest edition) in the United States, and any state laws, and local ordinances (including plumbing or wastewater codes). Local authorities having jurisdiction should be consulted before installation is made. Such applicable regulations or requirements take precedence over the general instructions in this manual.

Install the air plenum, ducts and air filters (not provided) in accordance with NFPA 90B Standard for the Installation of Warm Air Heating and Air-Conditioning Systems (latest edition).

This unit is certified for installation clearances to combustible material as listed on the unit rating plate. Accessibility and service clearances should be considered as well.

Manufactured By
Allied Air Enterprises LLC
A Lennox International, Inc. Company
215 Metropolitan Drive
West Columbia, SC 29170

507795-01



(P) 0673567-00

Save these instructions for future reference

Installation

BCW1 air handlers are suitable for free-air return when installed in a closet with a louvered door, flush mounted or in the wall.

Closest or "On the Wall" Applications

NOTE: If mounted in a closet, a louver or grill with at least 1 square foot of face area per cooling ton is required on the door.

A wall hanging bracket is available as an accessory for this type of mounting. Attach bracket to wall so the "open" end faces up, make sure bracket is level and attached to the studs (2" x 8" blocking installed between studs at bracket height is recommended). 2" screws are required. Lift unit and slide the back edge of the top cap onto bracket.

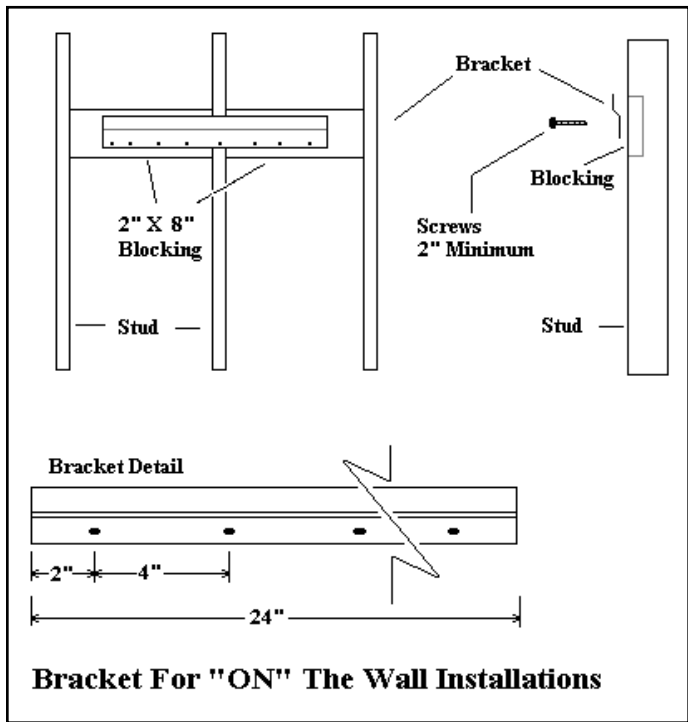


Figure 1.

Flush Mount or "In the Wall" Applications

Recess air handler 2" to provide adequate space for drain line connections. If a flush application is desired, a notch will need to be cut in the stud to allow for primary drain access. Do not allow the air handler to protrude beyond the front of the stud; this will interfere with the louvered wall grille application. Use the 2 holes on each side to attach between studs. Make sure air handler is level and square before proceeding.

Ductwork

Ductwork should be fabricated and installed in accordance with local and/or national codes. This includes the

standards of the National Fire Protection Association for installation of Air-Conditioning and Ventilating Systems, NFPA No. 90B.

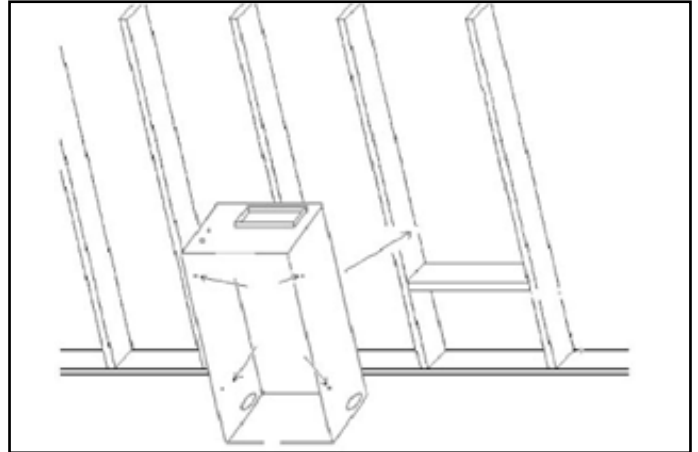


Figure 2.

Condensate Drain

Determine the drain connections to be used and note the difference between the primary and secondary openings. Remove plugs from selected drain openings. It is recommended that 3/4" male pipe thread PVC fittings be used at the condensate pan. Hand tighten and ensure there are no leaks.

Tubing for all condensate drains should be a minimum of 7/8" OD. The drain should be pitched downward 1" per 10'. Install a 3" trap as close to the coil as possible.

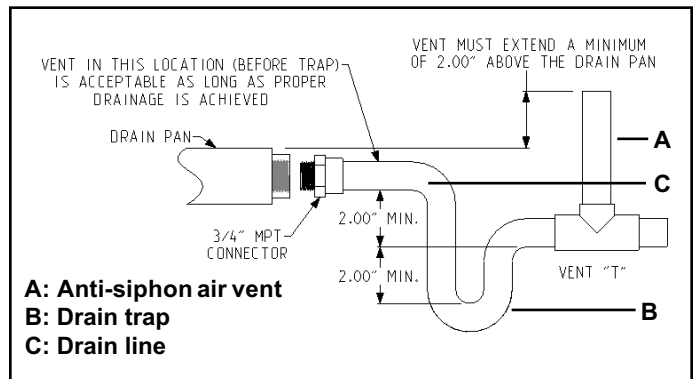


Figure 3.

Route drain line so that it does not interfere with accessibility to the coil, air handling system or filter and will not be exposed to freezing temperatures.

If line makes a second trap, or has an extended run before termination, a vent tee should be installed after the trap closest to the pan. Connect the primary drain and route to an open drain, sump, or sewer line.

Prime the trap with water. Test line for leaks. Verify water flow with unit in operation.

CAUTION

If the coil is located in or above a living space where damage may result from condensate overflow, a separate 3/4" drain must be provided from the secondary drain connection (or a Float Switch can be used - refer to kit instructions for installation procedures). Run this drain to a place in compliance with local installation codes where it will be noticed when unit is operational. Condensate flowing from the secondary drain indicates a plugged primary drain.

Prime the trap with water. Test line for leaks. Verify water flow with unit in operation.

Wiring

DANGER

Electric shock hazard. Can cause injury or death. Before attempting to perform any service or maintenance, turn the electrical power to the unit OFF at disconnect switch(es). Unit may have multiple power supplies.

WARNING

Use Copper Conductors Only

WARNING

Run 24V Class 11 wiring only through the specified low voltage opening. Run the line voltage wiring only through the specified high voltage opening. Do not combine Voltage in one opening.

Wiring must conform to the current National Electric Code ANSI/NFPA No. 70, or Canadian Electric Code Part 1, CSA Standard C22.1, and local electric codes. See the unit nameplate for minimum circuit ampacity and maximum overcurrent protection size.

Select the proper supply circuit conductors according to tables 310-16 and 310-17 in the National Electric Code, ANSI/NFPA NO. 70 or Tables 1—4 in the Canadian Electric Code, Part 1, CSA Standard C22.1.

Refrigerant Piping

Coil refrigerant connections are 3/8" OD Liquid and 3/4" OD Suction. Refer to outdoor unit manufacturer's recommendation on line sizing.

During brazing of refrigerant lines place a wet rag around suction line on top of cabinet to protect cabinet from overheating. Maintain a minimum of 1.5" from cabinet and refrigerant brazing connections.

Refrigerant Flow Controls

Refer to nomenclature to determine type of flow control installed and needed for your application. Evaporator coils are shipped from the factory with floriator pistons or TXV assemblies. Florator pistons and TXV kits are available for field conversion.

Pistons

As shipped from the factory, the piston installed in each coil is chosen for the nominal BTUH capacity of the coil. Verify with the condenser recommendation that proper floriator piston is selected. Replace the piston per the outdoor unit instructions.

When changing pistons use the following procedure:

1. Loosen hex nut located on liquid line and separate from distributor assembly.
2. Remove the existing piston from inside the distributor assembly.
3. Insert the desired piston into the distributor assembly.
4. Replace "O" ring with a new one.
5. Re-install hex nut to body and torque to 10 ft-lbs.

Thermal Expansion Valves

As shipped from the factory, the TXV installed in each coil is chosen for the nominal BTUH capacity of the coil. Attach and insulate the TXV bulb outside of the cabinet to the main suction line no more than one foot from the suction line connection. The bulb must be insulated.

Field installed TXV kits are also available. Refer to engineering guide or price sheet for sizes, and kit instructions for installation procedures.

Refrigerant Line Installation

Allied Air recommends installing a filter drier in the liquid line, per outdoor unit instructions. While brazing, purge the system with Nitrogen to prevent contamination. Attach TXV bulb only after brazing line sets at a 10 to 2 o'clock position on the suction line, outside the coil housing, no more than one foot from the connection. Evacuate the system to 500 microns to ensure proper air and moisture removal (Note: Deep evacuation or triple evacuation method recommended). Open the suction service valve slowly and allow the refrigerant to bleed into the system before opening the liquid service valve.

Refrigerant Charging

Refer to the outdoor unit instructions for proper system charging.

Blower Speed Changes

To change motor speed settings, turn off power to the unit, and remove motor wire from control board and replace with desired speed. See Table 3 or Table 4 for airflow performance.

Maintenance & Repair

⚠ CAUTION

At the beginning of each heating or cooling season the unit should be serviced by a qualified installer or servicing agency.

If necessary to access the air handler blower motor for replacement, follow these steps:

1. Ensure all power is shut off to the unit
2. Remove the (4) 1/4" screws located on each side of the coil (two per side).
3. Remove the (2) 1/4" screws in the top plate on the coil,

and set the top cap to the side.

4. Gently pick the coil up out of the drain pan and slowly rotate the coil toward you. Ensure that the copper flex tube is bending in the middle and not kinking (see Figure 4).
5. Stabilize the raised coil while servicing the motor.
6. Reverse the steps above to put the coil back into place.

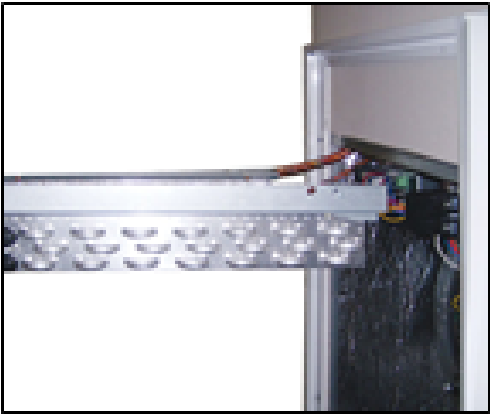


Figure 4.

Electrical Data

Unit Size (all have electric heat)	Heating Capacity		Blower Amps		Minimum Circuit Ampacity		Circuit Breaker Amps per Stage
	kW	BTUH	208 V	240 V	208 V	240 V	
	*240 V	*240 V					
18	5.0	17,065	1.8	1.7	24.8	28.2	30
	7.5	25,598	1.8	1.7	36.1	41.2	45
	10.0	34,130	1.8	1.7	47.4	54.2	60
24	5.0	17,065	1.8	1.7	24.8	28.2	30
	7.5	25,598	1.8	1.7	36.1	41.2	45
	10.0	34,130	1.8	1.7	47.4	54.2	60
30	5.0	17,065	2.1	2.0	25.2	28.5	30
	7.5	25,598	2.1	2.0	36.5	41.6	45
	10.0	34,130	2.1	2.0	47.8	54.6	60
36	5.0	17,065	2.1	2.0	25.2	28.5	30
	7.5	25,598	2.1	2.0	36.5	41.6	45
	10.0	34,130	2.1	2.0	47.8	54.6	60

* For 208 V, use .751 correction factor for kW & MBTUH.

Table 1. 3-Speed PSC Motor

Unit Size (all have electric heat)	Heating Capacity		Blower Amps		Minimum Circuit Ampacity		Circuit Breaker Amps per Stage
	kW	BTUH			208 V	240 V	
	*240 V	*240 V					
19	5.0	17,065	0.9	0.8	23.7	27.0	30
	7.5	25,598	0.9	0.8	35.0	40.1	45
	10.0	34,130	0.9	0.8	46.3	53.1	60
25	5.0	17,065	1.8	1.7	24.8	28.2	30
	7.5	25,598	1.8	1.7	36.1	41.2	45
	10.0	34,130	1.8	1.7	47.4	54.2	60
31	5.0	17,065	2.4	2.2	25.6	28.8	30
	7.5	25,598	2.4	2.2	36.8	41.8	45
	10.0	34,130	2.4	2.2	48.1	54.8	60
37	5.0	17,065	3.1	2.9	26.4	29.7	30
	7.5	25,598	3.1	2.9	37.7	42.7	45
	10.0	34,130	3.1	2.9	49.0	55.7	60

* For 208 V, use .751 correction factor for kW & MBTUH.

Table 2. 5-Speed High Efficiency ECM Motor

Airflow Data

NOTE: Heating speeds should not be reduced below factory setting.

NOTE: Different speeds can be set for cooling mode; see installation instructions.

Unit Size	Cooling Speed Setting	Airflow (CFM) vs. External Static Pressure (in. w.c.) ***				
		0.1	0.2	0.3	0.4	0.5
18	* ^ Low - Red	606	591	576	559	529
	Med - Blue	802	784	751	722	693
	High -Black	1046	1013	987	943	885
24	Low - Red	606	591	576	559	529
	* ^ Med - Blue	802	784	751	722	693
	High -Black	1046	1013	987	943	885
30	Low - Red	816	809	802	775	752
	* ^ Med - Blue	1000	985	970	935	889
	High -Black	1218	1175	1122	1070	1008
36	Low - Red	816	809	802	775	752
	Med - Blue	1000	985	970	935	889
	* ^ High -Black	1218	1175	1122	1070	1008

* Factory setting for cooling.
^ Factory setting for heating.
*** All airflow data is with a dry coil, filter, & electric heat.

Table 3. 3-Speed PSC Motor

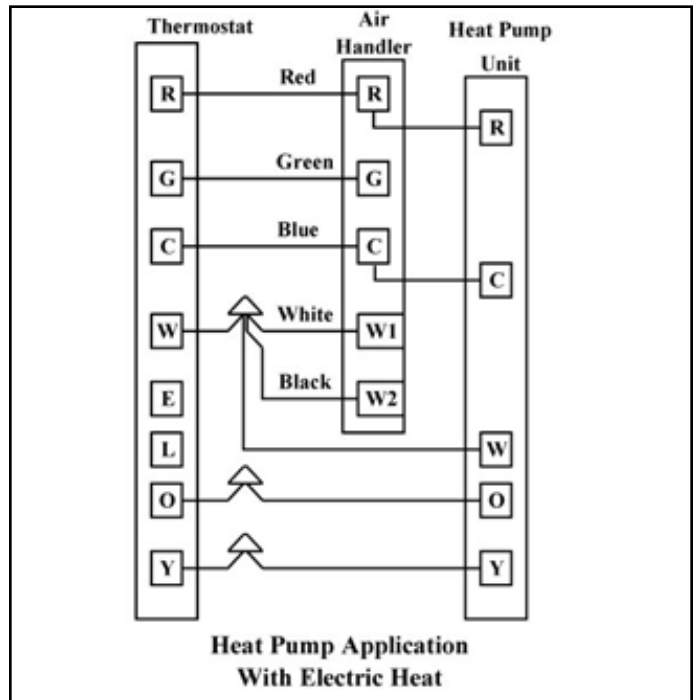
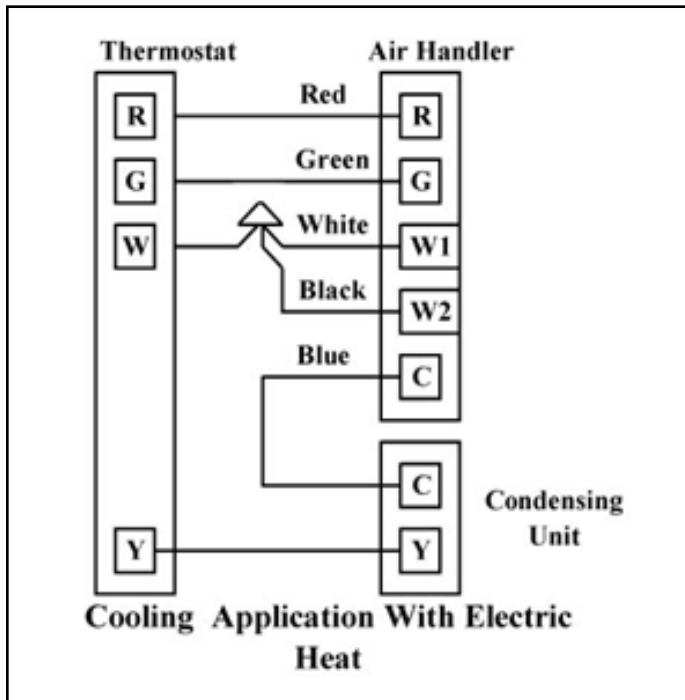
Unit Size	Cooling Speed Setting	Airflow (CFM) vs. External Static Pressure (in. w.c.) ***				
		0.1	0.2	0.3	0.4	0.5
19	Tap 1	547	484	366	309	268
	* Tap 2	651	600	566	516	466
	Tap 3	695	646	617	566	544
	^ Tap 4	742	700	669	627	600
	Tap 5	758	712	682	641	625
25	Tap 1	569	453	347	264	264
	Tap 2	659	600	569	518	475
	* Tap 3	847	800	787	744	722
	^ Tap 4	928	901	883	846	802
	Tap 5	970	944	927	891	864
31	Tap 1	656	600	567	522	473
	Tap 2	842	800	782	739	716
	* Tap 3	1059	1028	1004	972	946
	^ Tap 4	1106	1084	1053	1030	1000
	Tap 5	1137	1108	1085	1055	1031
37	Tap 1	848	800	769	726	692
	Tap 2	1051	1028	1000	956	930
	* Tap 3	1247	1215	1188	1161	1126
	^ Tap 4	1310	1279	1254	1228	1200
	Tap 5	1364	1334	1304	1279	1250

* Factory setting for cooling.
^ Factory setting for heating.
*** All airflow data is with a dry coil, filter, & electric heat.

Table 4. 5-Speed High Efficiency ECM Motor

Low Voltage Thermostat Connections

3-Speed Motor

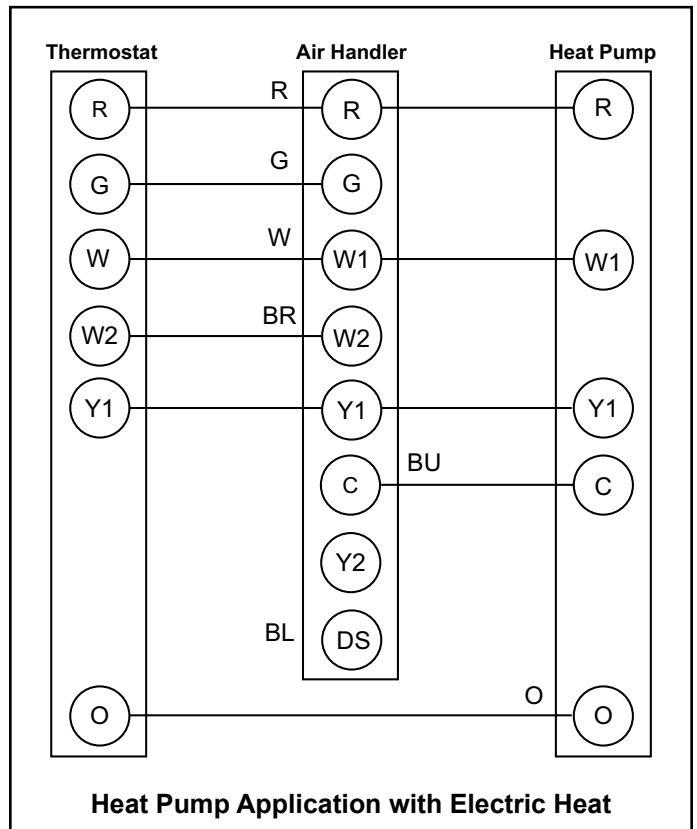
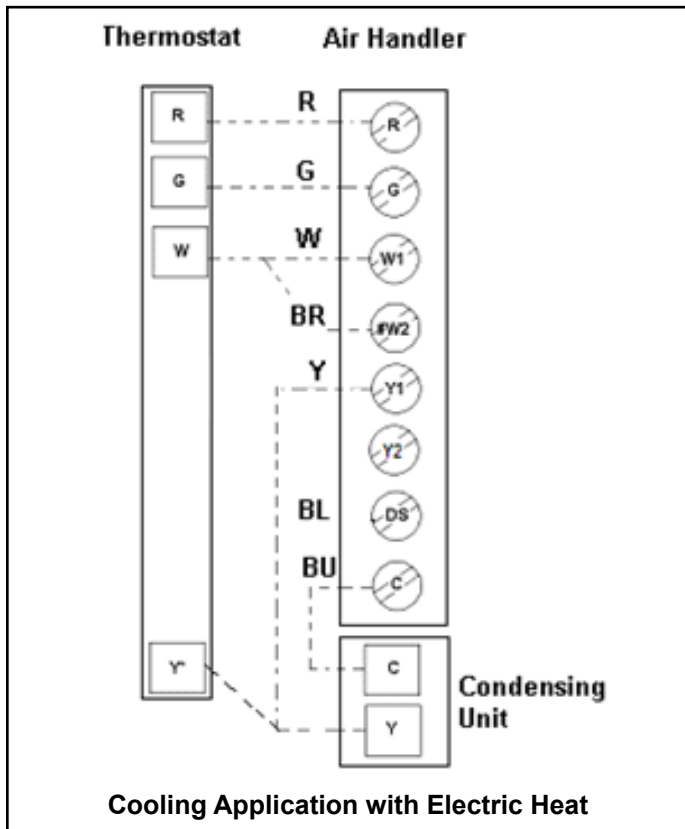


5-Speed High Efficiency ECM Motor

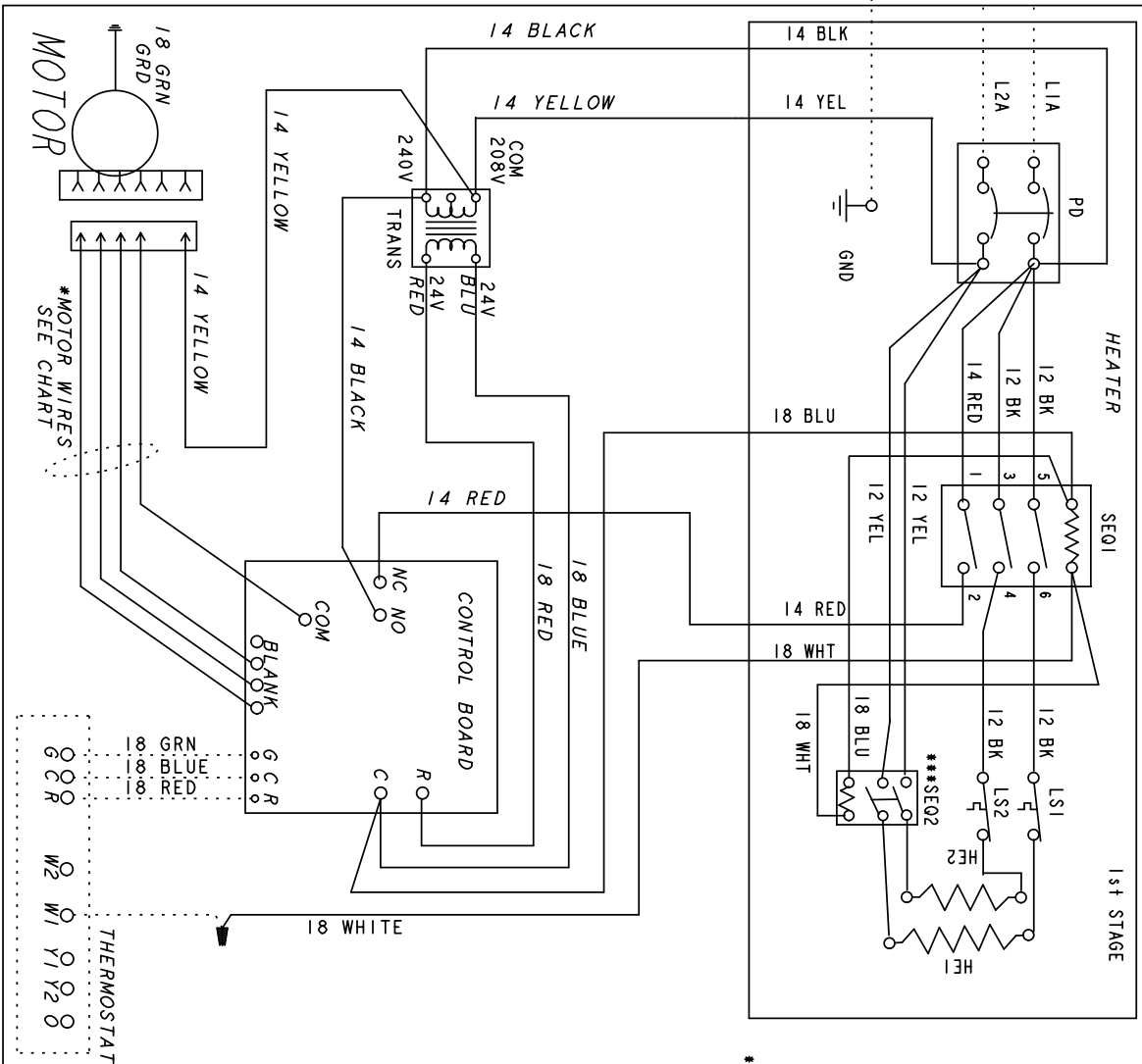
For high static system, identify desired tap/CFM and jumper "Y1" & "DS" at air handler terminal block.

For 2 stage outdoor units:

- Identify desired tap/CFM for 1st stage from airflow chart and move motor lead on terminal board to Y1.
- Identify desired tap/CFM for 2nd stage from airflow chart and move motor lead on terminal board to Y2.



220
208 / 240
SUPPLY
VOLTAGE
BY OTHERS



PD = PULL DISCONNECT
SEQ = SEQUENCER
GND = GROUND LUG
LS = LIMIT SWITCH
HE = HEATER ELEMENT

POWER (FACTORY WIRED) _____
POWER (FIELD WIRED) _____
CONTROL (FACTORY WIRED) _____
CONTROL (FIELD WIRED)

CONTROL CIRCUIT WIRING TO
BE 24 VOLT, N.E.C. CLASS 2
*** SEQUENCER USED: WIRED AS SHOWN
RELAY USED: WIRED PER RELAY POLE
TO BREAK CIRCUIT
SERIAL NUMBERS BEFORE 3014L99999
WILL NOT CONTAIN SEQ. OR RELAY
SERIAL NUMBERS AFTER 3014M00001
WILL CONTAIN SEQ. OR RELAY

* 3 SPEED MOTOR
RED - LOW
BLUE - MED
BLACK - HIGH

Figure 5. 3-Speed Motor Wiring Diagram

