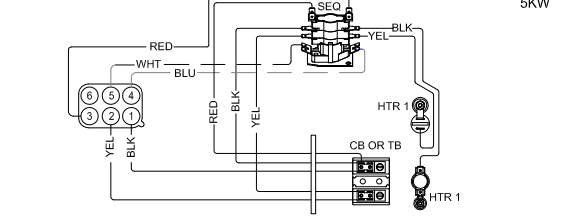
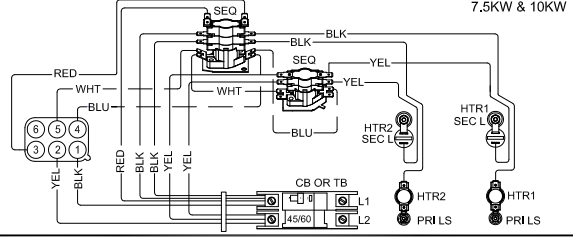
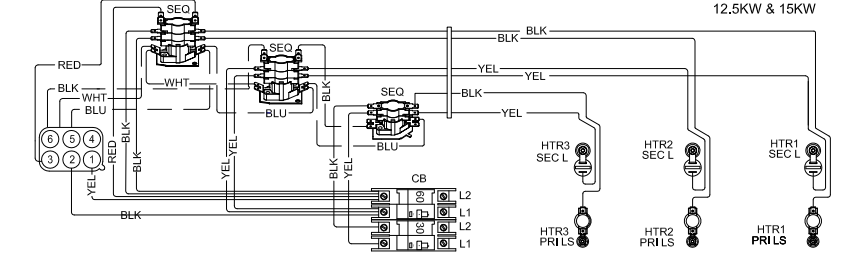
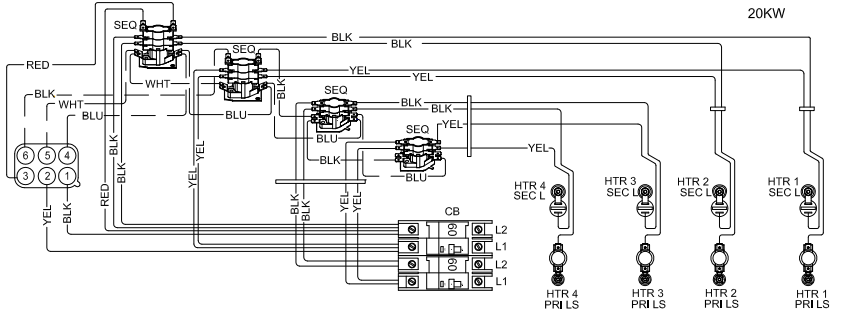


PART NO. 537980-01

WIRING DIAGRAM - ELECTRIC HEAT



HEATERS USED
 5 KW = HTR1
 7.5 & 10 KW = HTR1 & HTR2
 15 KW = HTR1, HTR2 & HTR3
 20 KW = HTR1, HTR2, HTR3 & HTR4

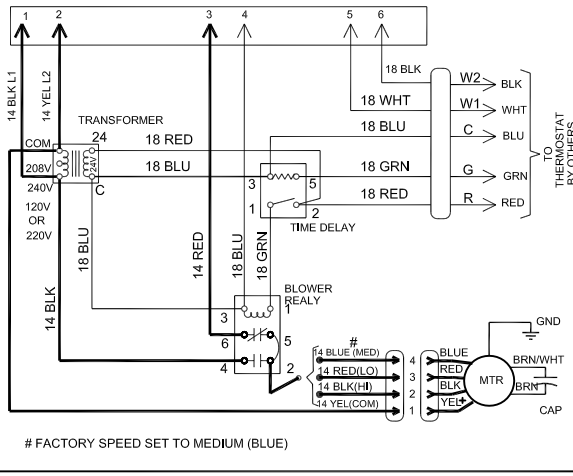
TB = TERMINAL BLOCK
 CB = CIRCUIT BREAKER
 SEQ = SEQUENCER
 GND = GROUND LUG
 PRI LS = LIMIT SWITCH
 SEC L = LIMIT SWITCH
 HTR = HEATER ELEMENT

POWER (FACTORY WIRED) ———
POWER (FIELD WIRED) - - - - -
CONTROL (FACTORY WIRED) ———
CONTROL (FIELD WIRED) - - - - -

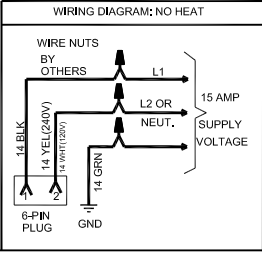
CONTROL CIRCUIT WIRING TO BE 24 VOLT, N.E.C. CLASS 2

THREE POLE SEQUENCER	
PLUG PIN	TIMING - SEC
ON	OFF
1-20	40-110
20-60	1-30
20-60	1-30

TWO POLE SEQUENCER	
PLUG PIN	TIMING - SEC
ON	OFF
30-90	1-30
30-90	1-30



TD = TIME DELAY (OPT.)
 TR = TRANSFORMER
 BR = BLOWER RELAY
 MTR = BLOWER MOTOR
 CAP = MOTOR CAPACITOR
 GND = GROUND CONNECTION



FACTORY SPEED SET TO MEDIUM (BLUE)

ELECTRIC HEAT

PSC LABEL WIRING DIAGRAM

Supersedes

Form No.
537980-01

© 2011 Litho U.S.A.