

# AMMA 6036

60" x 36" x 21"

Amma takes its origin in the word "massage" as represented by two Chinese characters, AN and MO, meaning "calm through touch."



## PRODUCT NO.

DESCRIPTION	TMU	TUB
	BAMFRB00T-XX	BAMFRB00N-XX

THERMOMASSEUR (TMU)	
Hydro-thermo massage • Air jet system	\$
Jets	45
1 heated backrest & headrest	Included
MiaPlus® Control	Included
BU-Touch Control Application BUTOUCH NEW	\$
Geysair®	Included
AromaCloud** BAROMAC	\$
Illuzio Chromatherapy BCHRO6	\$

TUB Soaker	
AromaCloud** BAROMAC	\$
Illuzio Chromatherapy BCHRO6	\$
WarmTouchShell® BWTS	\$
DOT control	Included with therapy

## FEATURES

Installation type	Drop-in & Alcove (3 walls)		
No. of bathers	1	Inverted V	1
US gallons	50	Armrests	2
Imp. gallons	41	Grab bars (color match)	2
Raised seat	1		

## STANDARD COLOR

		Included
White 01	Biscuit 02	

## OPTIONS (UPCHARGE APPLICABLE)

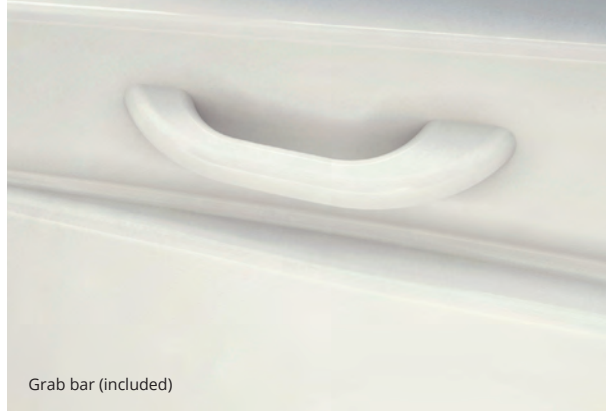
SKIRT	MULTIFIT BSMUL-XX	SJ-1 BSJ1-XX
White 01, Biscuit 02	\$	\$
<b>CLEAR ACRYLIC GRAB BARS</b> BGBG10-XX		
With Chrome 07 or Brushed Nickel 09 inserts		\$
<b>WASTE &amp; OVERFLOW</b>		
	16" x 35" BOVER16-XX	INTEGRATED BOVERIN-XX
Chrome 07	\$	\$
White 01, Biscuit 02	\$	\$
Brushed Nickel 09, Polished Nickel 10	\$	\$
Oil-rubbed Bronze 11	\$	N/A
Black Chrome 12, Matte Black 19, Satin Brass 18	N/A	\$
<b>TILE FLANGE</b> (specify right or left)		
Ordered with bath (not installed) BTILEN		\$
Factory-installed. Right BTILER, Left BTILEL, Special installation BTILEO		\$
<b>IF REQUIRED BY CONSTRUCTION CODE</b>		
Brass waste & overflow kit** BDRCOB		\$
Brass waste kit** BDRCB		\$
16" x 35" Cable driven brass waste & overflow kit BOVERBR-XX		\$

\* The AromaCloud® is built into the deck (factory installed).  
 \*\* When ordered with integrated waste & overflow.

<b>TOTAL PRICE</b>	\$
--------------------	----



**AMMA 6036**



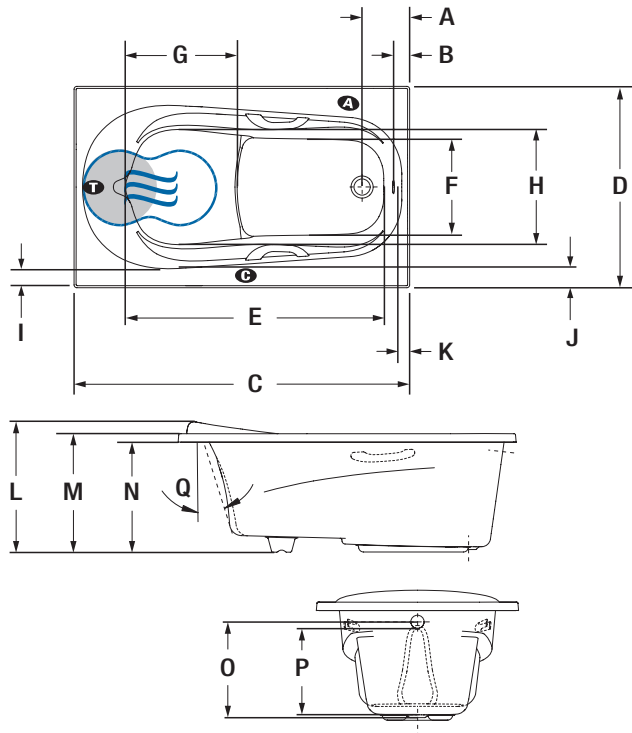
Grab bar (included)



Molded heated headrest

**INSTALLATION**

**A** When tile flange is added, the AromaCloud® will automatically be installed on the opposite side of the flange.



LETTER	DESCRIPTION	MEASURE
A	Outside edge to center drain	8 1/2"
B	Outside edge to overflow	2 1/2"
C	Total length	60"
D	Total width	36"
E	Bathing well length	46"
F	Bathing well width at foot area	17 1/8"
G	Raised seat length	20"
H	Raised seat width	20 5/8"
I	Deck width (narrowest point)	3 1/8"
J	Deck width (widest point)	4 1/8"
K	Deck width at drain end	2"
L	Total height to headrest	23 1/4"
M	Height from bottom of bath to top deck	21"
N	Height from bottom of bath to bottom of lip	19 1/2"
O	Height from drain to center of overflow	17"
P	Maximum water level	15 3/8"
Q	Slope of backrest	18°

- A** AromaCloud® position
- C** Control position when factory-installed (Mia® or DOT)
- T** Turbine position (TMU)
- Indicates heated backrest (TMU)
- ☄ Indicates WarmTouchShell® position (TUB)

**TECHNICAL SPECIFICATIONS**

<b>Hot water supply required</b>	Should be 70% of water capacity of TUB or greater.
<b>Turbine</b>	Access to the pump must be at least 18" x 22". <b>Standard connection is 20 A, 120 V, 60 Hz</b> , dedicated line with a Ground-Fault Circuit Interrupter (GFCI). <b>For any additional option, a second line is needed 15 A, 120 V, 60 Hz</b> , dedicated line with a GFCI. Air vent necessary: 2" x 4" minimum.
<b>Others</b>	- The GEYSAIR must always be accessible and connected to the hot water supply (provide access). - Optional tile flange (specify right or left).

Our products must be installed by certified professionals only and according to our Owner's Manual as well as federal, provincial/state and local building codes and regulations ([www.bainultra.com/documentation/documentation](http://www.bainultra.com/documentation/documentation)).

<b>Approx. shipping weight</b>	142 lbs
<b>Turbine power</b>	550 W
<b>Air heater</b>	600 W
<b>WARRANTY</b>	
Controls-LED-Geysair*	5 years
Bath & turbine*	20 years

\* Some restrictions apply | [www.bainultra.com/warranty](http://www.bainultra.com/warranty)



The specifications shown indicate the outer edge dimension and the inside bathing capacity dimension measured at air jets' height. The manufacturer accepts a 1/4" [0.64 cm] variance. There are variations on each product and specifications are subject to change as we improve upon our product as required. The dimensions needed for site preparation and structure building will differ. BainUltra® assumes no responsibility for preparatory work done prior to the product being on site.