



INSTALLATION & OPERATING INSTRUCTIONS

Model AUV24V
Residential UVC Coil Cleaner

Installed By:	Installer Phone:	Date Installed:
---------------	------------------	-----------------



⚠ NEVER EXPOSE EYES OR SKIN TO AN OPERATING UV LAMP

READ AND SAVE THESE INSTRUCTIONS

TABLE OF CONTENTS

HOW THE UVC LAMP WORKS	2
OPTIONAL ACCESSORIES AND KITS	2
SAFETY INSTRUCTIONS	3
SETUP	4
What You Will Need	4
What's Included in the Box	4
INSTALLATION	5
Exterior Bracket Method	5
Internal Magnet Method	7
OPERATION	8
TROUBLESHOOTING	9
How to Read the Ballast LED Indicator	9
TABLE I: Troubleshooting Guide	9
MAINTENANCE	10
Lamp Replacement	10
How to Clean Your Product	10
Electrical Ratings and Power Consumption	10
Humidifier Maintenance	10
REPLACEMENT PARTS	10
LIMITED WARRANTY	11

HOW THE UVC LAMP WORKS

When a bio-film (a coating of microbial growth) covers a coil, it acts as an adhesive, attracting dirt and coating the fins of the coil. This results in an odor emanating from the equipment and a loss in energy efficiency as the equipment must work harder to provide the same air temperature. Installed on the air conditioning's evaporator coil, the AUV24V keeps the system running at top efficiency, saving you electricity, and preventing the coil from becoming a source of bad air quality and bad odor.

The UVC (254 nm) wavelengths produced by AprilAire UV units and systems are the same as the ultraviolet produced by the Sun. The UVC attacks the micro-organisms on a molecular level deactivating the contaminants. Unlike conventional UVC Lamps on the market, AprilAire UV units and systems use a process designed to deliver the maximum UV dosage to the moving airstream or surface.

WARNING

Never expose eyes or skin to an operating UVC Lamp.

OPTIONAL ACCESSORIES AND KITS

Step Down Transformer (AC) to convert a regular outlet (120 VAC) to 24 VAC if the necessary power (20 VA minimum) is not available from your HVAC System: 120 VAC to 24 VAC 40 VA **AprilAire Part #8029**.

For instruction manuals or information about your optional accessories and/or kits, please visit us at aprilaire.com or call us at **800.334.6011**.

SAFETY INSTRUCTIONS

⚠ WARNING

- **ATTENTION INSTALLER:** Read this manual before installing. Improper installation or maintenance may cause property damage or injury. It is recommended that installation, service, and maintenance be performed by a trained service technician. This product must be installed in compliance with all local, state, and federal codes.
- **ELECTRIC SHOCK HAZARD:** 120 volts may cause serious injury from electric shock. Disconnect electrical power to the HVAC system before starting installation or servicing. Leave power disconnected until installation/service is completed.
- Never expose eyes or skin to an operating UV lamp.

⚠ CAUTION

- **SHARP EDGES MAY CAUSE INJURY FROM CUTS.** Use care when cutting and handling ductwork. Always wear glasses/goggles and gloves when installing the unit.
- Dropping may cause personal injury or equipment damage. Handle with care and follow installation instructions.
- This unit is not intended for use by persons (including children) with reduced physical, sensory, or mental capabilities, or lack of experience and knowledge, unless they have been given supervision or instruction concerning use of the unit by a person responsible for their safety.
- Be sure to supervise children to ensure that they do not play with the unit.
- Just like conventional fluorescent lamps, UV lamps contain a small quantity of mercury: if a lamp breaks, clean and dispose of with care. UV lamps can be disposed of/recycled after use in the same way as any other fluorescent lamps. Contact and follow the specific instructions of your local and national authorities.

NOTICE

When installing or performing maintenance on the UV unit or system, it is recommended to wear safety gloves. In order to avoid reduced performance of lamp(s), do not touch the lamp glass without gloves.

EQUIPMENT DAMAGE MAY OCCUR IF INSTALLATION INSTRUCTIONS ARE NOT FOLLOWED.

- Tighten all fasteners by hand, taking care not to leave loose or overtighten.
- Confirm you have access to the necessary power source for the product requirements (see unit or system label).
- Use only specified AprilAire branded replacement UVC Lamps with your unit or system. Use of any other lamps can result in damage to the unit, system, and/or lamp(s).
- To avoid damaging equipment, ensure adequately clear space exists behind the mounting points, selected lamp location, screws, and potential overshooting of drill bits when puncturing sheet metal.
- Ensure all light is contained within the system. Use UV-resistant sealing methods to block any potential light leakage points around cords or seams in the ductwork.
- This AprilAire UV unit is not waterproof. **DO NOT INSTALL OUTDOORS OR IN A WET LOCATION.**
- The use of a UV unit or system is a supplement to and not a substitute for standard infection control practices; users must continue to follow all current infection control practices, including those related to the cleaning and disinfection of environmental surfaces.
- Check for existing holes in duct and repair prior to installation.
- Ensure ANY drilled holes and fasteners do not damage the AC Evaporator Coil, Lines, or any other components in the area.

UV LIGHT CAN CAUSE COLOR CHANGES OR STRUCTURAL DEGRADATION OF PLASTICS, RUBBER, AND OTHER NON-METALLIC MATERIALS USED IN THE HVAC SYSTEM.

- Install the lamp in a location that prevents exposure to these materials or shield them with aluminum tape or sheet metal.
- Do not install within 6 feet of flex duct.
- Do not install within line of sight of the HVAC filter.

SETUP

⚠ CAUTION

Handle your product with care to avoid breaking parts. Make sure you have a free and safe space to unpack, install and setup your product. Tighten all fasteners by hand taking care not to leave loose or overtighten. Confirm you have access to the necessary power source for the product requirements (see unit or system label).

WHAT YOU WILL NEED

- Utility knife
- Marker
- 3/8" fluted drill bit
- Phillips # 2 screwdriver
- Power drill
- 1/4" nut driver
- 1" stepped metal drill bit
- Measuring tape
- 18 gauge wiring and connectors

WHAT'S INCLUDED IN THE BOX (SEE FIGURE 1)

- A. Ballast
- B. UVC lamp
- C. Magnetic multi-bracket
- D. Mounting hardware
- E. Pair of cotton gloves
- F. Quick Instructions
- G. UV warning decal
- H. Lamp change-out reminder decal
- I. 6 hex head sheet metal screws
- J. 2 self-tap Phillips screws
- K. 2 short Phillips screws
- L. 1 long Philips screw
- M. Lamp retainer ring
- N. Viewing port insert

FIGURE 1: WHAT'S IN THE BOX



INSTALLATION

EXTERIOR BRACKET METHOD

⚠ WARNING

PRIOR TO BEGINNING INSTALLATION:

- Never look at UVC Lamp while energized.
- Disconnect and turn off power to all HVAC equipment prior to installation.
- Ensure adequately clear space exists behind mounting points, selected lamp location, screws, and potential overshooting of drill bits when puncturing sheet metal.
- Do not over tighten screws as they may lose their holding power and lead to improper installation.

1. Clear working area and unpack all included equipment from box; set aside on clear working space. Lamp should remain in cardboard sleeve for protection until installed into bracket.
2. Mark appropriate lamp installation position relative to the evaporator coil. Refer to **FIGURE 2** for UVC lamp placement in relation to the coil. The location should also be centered on the ductwork for even light distribution. Ensure enough free space for the main mounting bracket and power cord is present on exterior of sheet metal.

When installing the UV lamp in an air handler, position a single lamp off-center to avoid interference with the blower as shown in **FIGURE 3**, Option 1.

If installing on the front face of the unit, install (2) UV lamps on either side of the A-coil as shown in **FIGURE 3**, Option 2.

If installing on exterior of duct board, fiberglass reinforced foil tape should be used to secure the bracket to the boards exterior as shown in **FIGURE 4**.

3. Locate appropriate ballast installation position relative to lamp installation position. Ensure this position will be within reach of the ballasts power cord once installed. Confirm access to 24 VAC power is available to be connected after ballast installation (if unavailable, a separately sold AC transformer is recommended). Mark screw hole mounting points for future reference.

If main mounting bracket is to be installed on a duct board, the ballast mounting location must be on another nearby structure such as a wall or floor joist.

4. Mark appropriate UV shielded view port position relative to lamp location. The view port should be placed 3 to 12 inches away from light source with direct line of sight to allow for monitoring of lamp status when unit is powered on. Only visible spectrum blue light will pass through this view port, while the damaging UV light is completely blocked.
5. Drill a 1-inch hole at the marked lamp installation location using the stepped drill bit. Ensure adequately clear space exists behind drilling location to prevent potentially damaging other equipment when puncturing sheet metal.

FIGURE 2: MODEL AUV24V ON "A" COIL

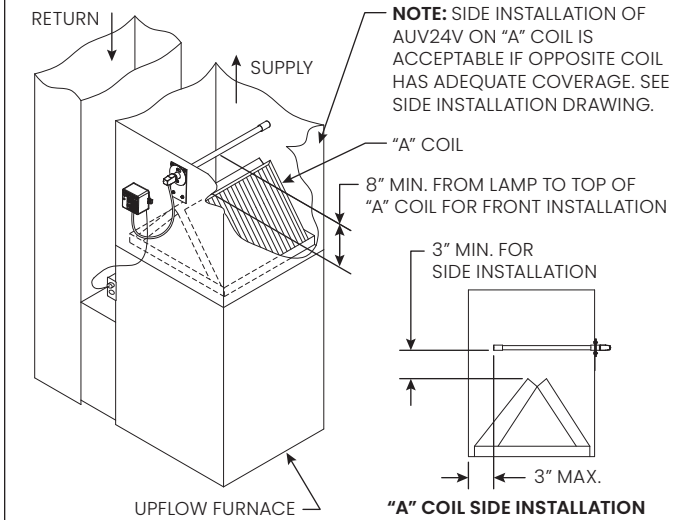
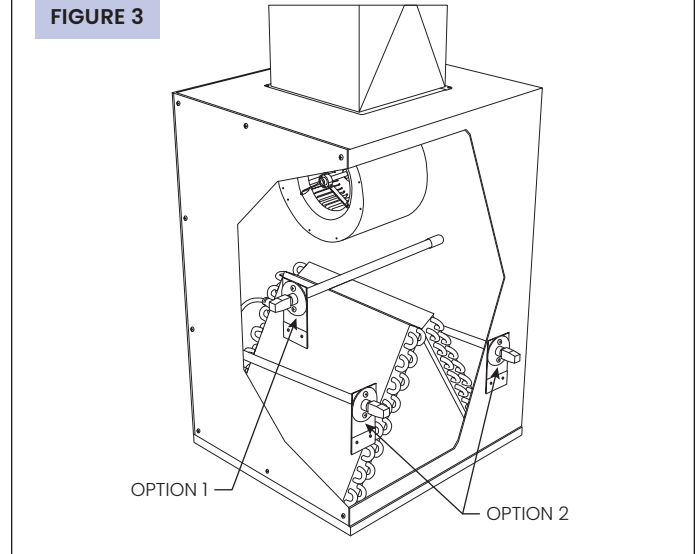
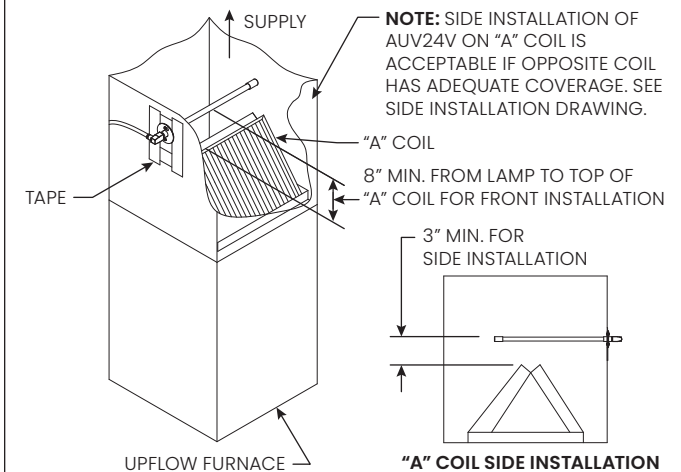


FIGURE 3



**FIGURE 4: MODEL AUV24V ON "A" COIL
DUCT BOARD MOUNTING**



6. Mount the back plate (**FIGURE 5**) to the ductwork using included self-tapping sheet metal screws. The flat side of the bracket should contact the ductwork. Ensure the center lamp hole aligns with the newly drilled hole to allow for lamp installation. Orient bracket housing into desired final position and secure with sheet metal screws in 2 mounting through holes.
7. Mount UVC Lamp in housing assembly. Start by lightly threading 2 included Philips screws into the lamp retainer mounting points, allow enough space for retainer ring plate to slide under screw head. Carefully cut open lamp packaging and put on protective gloves. Insert the non-power terminal end of the lamp through the center lamp hole until contact is made with the shaft flange (**FIGURE 6**). Align retainer ring mounting slot with previously installed screws and compress the lamp's shaft shoulder between the retainer ring and mounting plate. Twist the retainer ring so that the screw shafts contact the opposite end of the mounting slots (**FIGURE 7**). Tighten down screws by hand.

Only handle lamp with clean gloves. If lamp's surface becomes contaminated, clean with isopropyl alcohol.

8. Mount ballast at previously marked position. Align the ballast into desired final position before securing with sheet metal screws at mounting points. Ensure adequately clear space exists behind drilling location to prevent potentially damaging other equipment when puncturing sheet metal.
9. Apply included informative and warning stickers in a clearly visible location near the lamp and ballast.
10. Drill a 3/8" hole for the view port using a fluted drill bit at the previously marked location. Ensure adequately clear space exists behind drilling location to prevent potentially damaging other equipment when puncturing sheet metal. Firmly press included plastic viewport piece into drilled hole such that the flat side will be on the exterior of the sheet metal and the flange is completely contacting the ductwork exterior. Pressing too hard may result in damage to the view port.
11. Wire 24 VAC power to the ballast.

If using 24 V from furnace control board:

- a. Make sure that the HVAC equipment can supply a minimum of 20 VA.
- b. Connect the two black wires to the R and C terminals on HVAC Equipment.

If using a separate 24 V transformer:

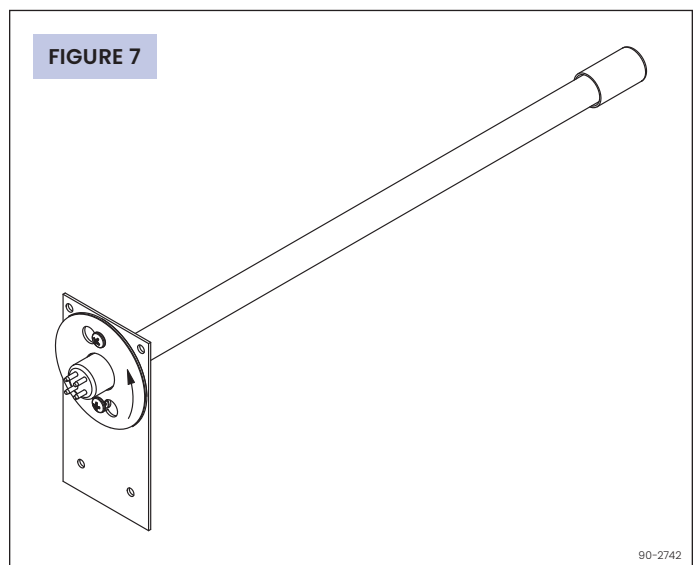
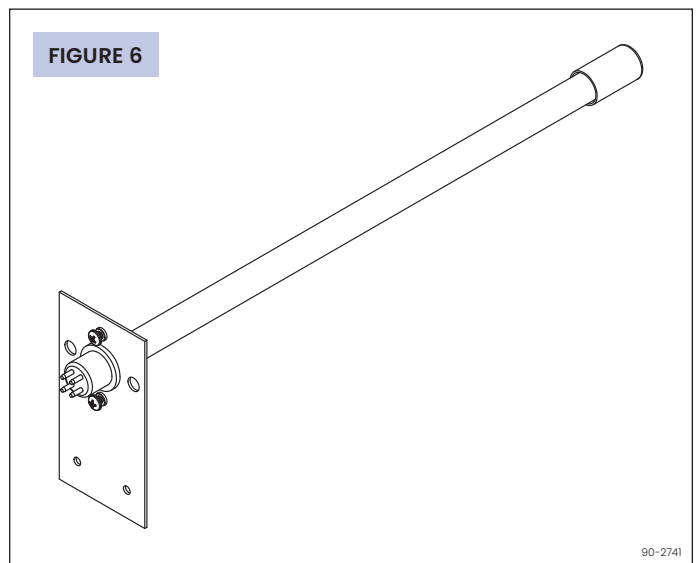
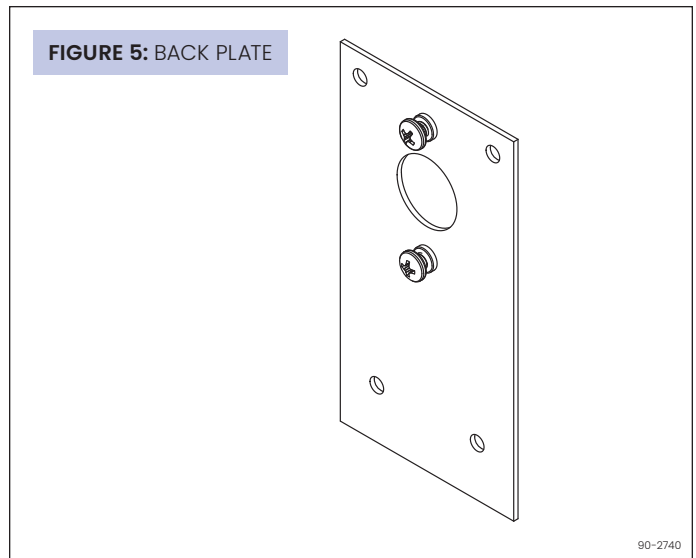
- a. Install transformer per manufacturer's specifications.
- b. Connect 24 V to the two black wires at the transformer's output terminals.

12. Connect the ballast's right angled 4-hole plug to the UVC Lamp's 4-pronged terminal. The connection is keyed and may require the power cord fitting be rotated 90 degrees to properly mate with the lamp power terminals. Once connected, the cord may be rotated into the desired final position without disassembling the unit.
13. Restore power to all HVAC equipment and allow 30 seconds for equipment to reach steady state before checking LED indicator and view port for equipment status.

If UVC light can be seen escaping duct work, immediately turn off power and seal discovered light paths with UV resistant sealer.

If LED indicator is solid and view port is illuminated, equipment is functioning properly.

If LED indicator is flashing, proceed to the **TROUBLESHOOTING** section for error code reference.



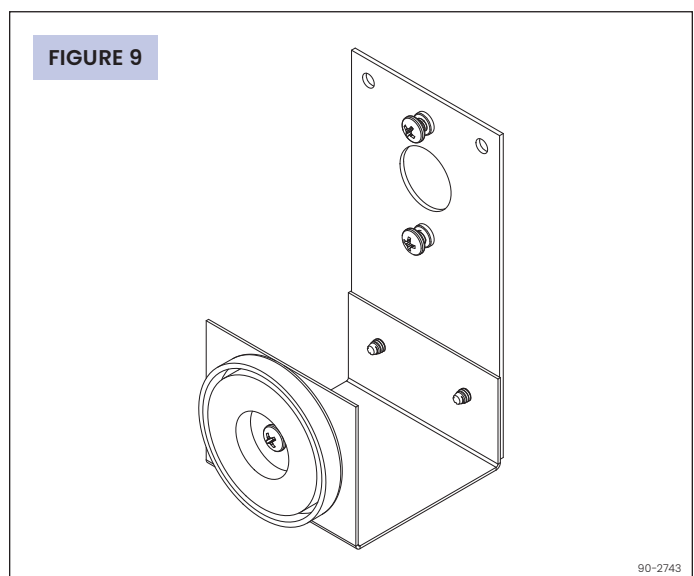
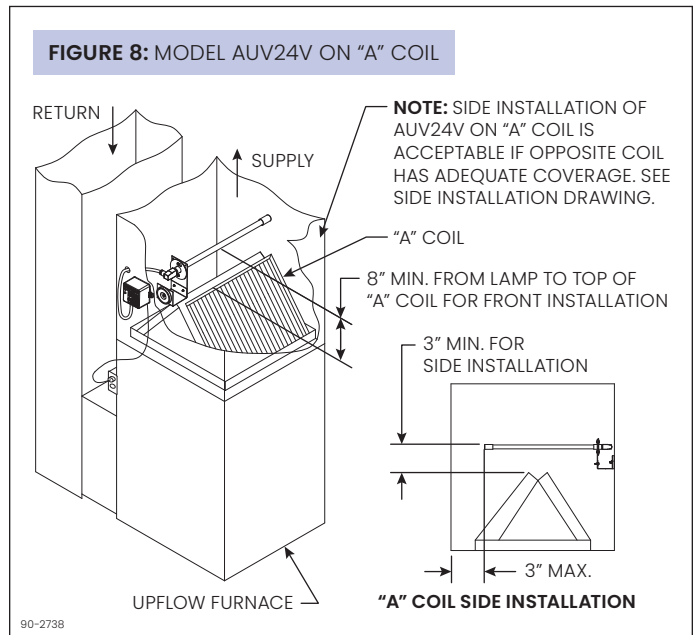
INTERNAL MAGNET METHOD

⚠ WARNING

PRIOR TO BEGINNING INSTALLATION:

- Never look at UVC Lamp while energized.
 - Disconnect and turn off power to all HVAC equipment prior to installation.
 - Ensure adequately clear space exists behind mounting points, selected lamp location, screws, and potential overshooting of drill bits when puncturing sheet metal.
 - Do not over tighten screws as they may lose their holding power and lead to improper installation.
1. Clear working area and unpack all included equipment from box; set aside on clear working space. Lamp should remain in cardboard sleeve for protection until installed into bracket.
 2. Gain access to the ductwork interior located around the evaporator coil. If an existing entry way does not exist, a new entryway may need to be created prior to installation. Ensure adequately clear space exists behind any drilling location to prevent potentially damaging other equipment when puncturing sheet metal.
 3. Mark appropriate lamp installation position relative to the evaporator coil. Refer to **FIGURE 8** for UVC lamp placement in relation to the coil. The location should also be centered on the ductwork for even light distribution. Ensure there will be enough free space for the bracket and magnet once installed.
 4. Locate appropriate ballast installation position relative to the marked lamp installation position. Ensure this position will be within reach of the ballasts power cord once both are installed. Confirm access to 24 VAC power is available to be connected after ballast installation (if unavailable, a separately sold AC transformer is recommended). Mark screw hole mounting points for future reference.
 5. Mark appropriate UV shielded view port position relative to lamp location. The view port should be placed 3-12 inches away from light source with direct line of sight to allow for monitoring of lamp status when unit is powered on. Only visible spectrum blue light will pass through this view port, while the damaging UV light is completely blocked.
 6. Mount ballast at previously marked position. Align the ballast into desired final position before securing with sheet metal screws at mounting points. Ensure adequately clear space exists behind drilling location to prevent potentially damaging other equipment when puncturing sheet metal.
 7. Apply included informative and warning stickers in a clearly visible location near the lamp and ballast.

8. Cut sheet metal to allow power cord access to the product once installed. This can be achieved by drilling a 1" hole near the final lamp position or by notching the access panel. If drilling a hole, use the stepped drill bit at the previously marked location. If notching access panel, cut sheet metal with shears, and dry fit the power cord into the notch. Ensure no sharp edges will contact the power cords insulation. Ensure adequately clear space exists behind drilling location to prevent potentially damaging other equipment when puncturing sheet metal.
9. Add offset bracket to main bracket, secure pieces with the two included self-tapping Philips screws (**FIGURE 9**).
10. Attached the magnet to the offset bracket using the included long Philips screw and nut. The Philips head should be on the exterior of the assembly, opposite the base plate (**FIGURE 9**).



11. Mount UVC Lamp in housing assembly. Start by lightly threading 2 included Philips screws into the lamp retainer mounting points, allow enough space for retainer ring plate to slide under screw head. Carefully cut open lamp packaging and put on protective gloves. Insert lamp through center lamp hole until contact is made with the shaft shoulder near the lamps power terminals (**FIGURE 10**). Align retainer ring mounting slot with previously installed screws and compress the lamps shaft shoulder between the retainer ring and mounting plate. Twist the retainer ring so that the screw shafts contact the opposite end of the mounting slots (**FIGURE 11**). Tighten down screws by hand.

Only handle lamp with clean gloves. If lamps surface becomes contaminated, clean with isopropyl alcohol.

12. Carefully position the assembly inside the duct work, allow magnet to fully adhere to sheet metal before releasing grip. Depending on space requirements, you may need to follow **Step 13** first to allow unit to be plugged in.
13. Connect the ballasts right angled 4-hole plug to the UVC Lamps 4-pronged terminal. The connection is keyed and may require the power cord fitting be rotated 90 degrees to properly mate with the lamp power terminals. Once connected, the cord may be rotated into the desired final position without disassembling the unit.
14. Seal around the power cord using UVC resistant sealant, be careful not to damage cord insulation on sharp metal edges.
15. Drill 3/8" hole for view port using fluted drill bit. Ensure adequately clear space exists behind drilling location to prevent potentially damaging other equipment when puncturing sheet metal. Firmly press included plastic viewport piece into drilled hole such that the flat side will be on the exterior of the sheet metal and the flange is completely contacting the ductwork exterior. Pressing too hard may result in damage to the view port.
16. Wire 24 VAC power to the ballast (20 VA).

If using 24 V from furnace control board:

- a. Make sure that the HVAC equipment can supply a minimum of 20 VA.
- b. Connect the two black wires to the R and C terminals on HVAC equipment.

If using a separate 24 V transformer:

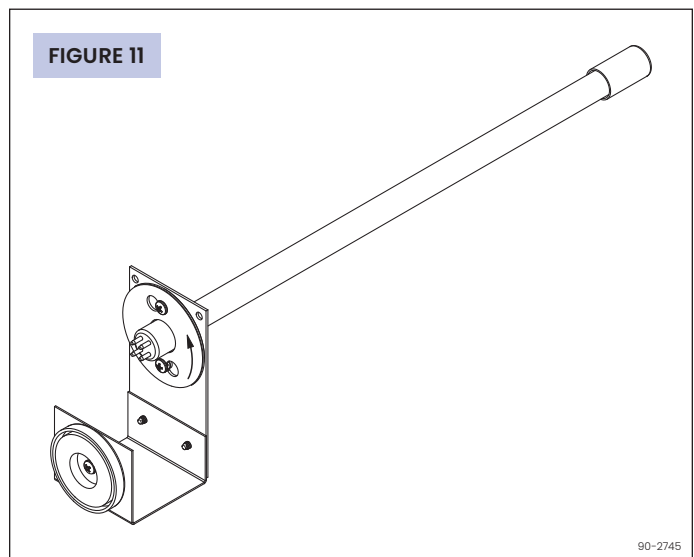
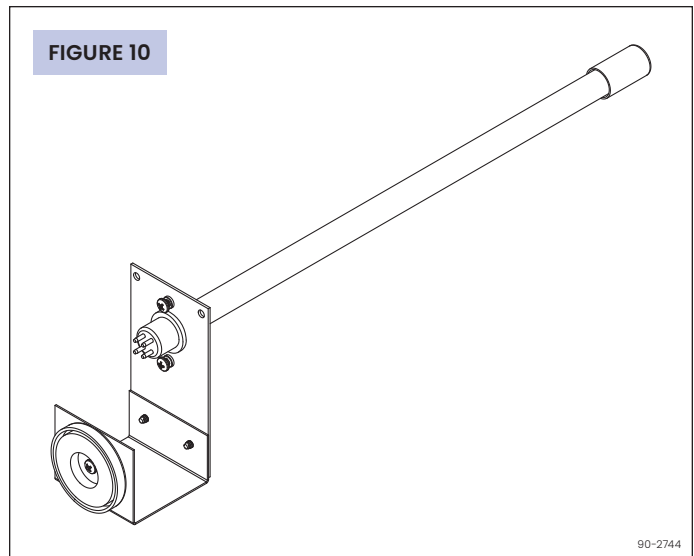
- a. Install transformer per manufacturers specifications.
- b. Connect 24 V to the two black wires at the transformers output terminals.

17. Restore power to all HVAC equipment and allow 30 seconds for equipment to reach steady state before checking LED indicator and view port for equipment status.

If UVC light can be seen escaping duct work, immediately turn off power and seal discovered light paths with UV resistant sealer.

If LED indicator is solid and view port is illuminated, equipment is functioning properly.

If LED indicator is flashing, proceed to the **TROUBLESHOOTING** section for error code reference.



OPERATION

The AprilAire AUV24V is an automatic unit that is designed to run constantly when powered on. As long as the blue glow can be seen through the viewport and the Ballast's LED indicator remains solid, no action is required for the product to continually sanitize the evaporator coil surface.

If the ballast LED indicator light is flashing, refer to the **TROUBLESHOOTING** section.

CAUTION

The suggested operating temperature range is 10 to 66°C (50 to 150°F). Operating the AprilAire AUV24V outside this range will result in decreased performance.

TROUBLESHOOTING

NOTE

If you experience a problem, please contact your contractor first, or see your warranty. Do not return the product to the original place of purchase. Do not attempt to open the product or tamper with its components without contacting your contractor first. Doing so may void your warranty and cause personal injury or damage to the product.

⚠ CAUTION

The user that changes or modifies the device without being expressly approved by the party responsible for compliance may void the user's authority to operate the equipment.

HOW TO READ THE BALLAST LED INDICATOR

The error code is determined by the LED flashing pattern on the ballast. The flashing pattern on the ballast is determined by the number of LED blinks (1 to 5) followed by a 1 second pause. This pattern will repeat continuously until the error code is cleared.

TABLE 1: TROUBLESHOOTING GUIDE

LED Flashing Pattern	Error Code	Reason	Action
Solid	NA	System OK	<ul style="list-style-type: none"> No action required.
Blinks 1 time followed by a 1 second pause	EC1	Lamp has reached 1 year of operation (>8,700 hours)	<ul style="list-style-type: none"> Purchase a genuine replacement lamp and follow the instructions to replace the lamp in the MAINTENANCE section, LAMP REPLACEMENT and reset the timer.
Blinks 2 times followed by a 1 second pause	EC2	Lamp has failed	<ul style="list-style-type: none"> Press the reset button once to attempt to restart the lamp. Shut off the power to the ballast (hard reset), wait 10 seconds and turn the power back ON. Get a genuine replacement lamp and reset lamp timer, contact your contractor, call AprilAire customer service at 800.334.6011, or visit aprilaire.com.
Blinks 3 times followed by a 1 second pause	EC3	Ballast has failed	<ul style="list-style-type: none"> Press the reset button once to attempt to restart the ballast. Shut the power to the ballast (hard reset), wait 10 seconds and turn the power back ON. Contact your contractor, call AprilAire customer service at 800.334.6011, or visit aprilaire.com for replacement of Ballast.
Blinks 4 times followed by a 1 second pause	EC4	Voltage to the ballast is less than 18 VAC*	<ul style="list-style-type: none"> Power source (furnace control panel or transformer) does not provide sufficient power output (measured in VA). Install a dedicated transformer (AprilAire Part #8029 or other UL approved transformer) that provides a minimum output of 20 VA at 24 VAC. Contact your contractor, call AprilAire customer service at 800.334.6011, or visit aprilaire.com.
Blinks 5 times followed by a 1 second pause	EC5	Voltage to the ballast is greater than 30 VAC*	<ul style="list-style-type: none"> Power source voltage is too high or exterior power surge has occurred. Shut off the power to the ballast (hard reset) wait 10 seconds and turn the power back on. If the problem persists, install a dedicated transformer (AprilAire Part #8029) or contact your contractor, call AprilAire customer service at 800.334.6011, or visit aprilaire.com.

*Connect with Step-down transformer AprilAire Part #8029. Sold separately.

MAINTENANCE

LAMP REPLACEMENT

⚠ CAUTION

In order to avoid reduced performance of lamp, do not touch lamp glass without gloves. (clean with a lint free cloth or wipe and isopropyl rubbing alcohol if needed)

1. Disconnect power to Ballast and remove power cord from lamp terminals. Allow the lamp to cool fully before continuing with replacement.
2. Remove the retaining ring by loosening the 2 screws on the retainer ring just enough to allow the retainer ring to be rotated freely. Turn retainer ring counterclockwise until the screw heads can pass through the retainer plate. Pull retaining ring away from unit to free lamp from assembly.
3. Carefully remove the UVC Lamp from the bracket by holding onto the exposed portion of the lamp and pulling straight back until lamp is completely removed from bracket.

NOTE: UVC Lamps can be disposed/recycled after use as you would any other fluorescent lamps. Contact and follow your local and national authorities' specific instructions.

4. Put on included gloves and remove lamp from its individual packaging. Clean lamp with isopropyl rubbing alcohol if needed.
5. Insert opposite end of lamp from the flange and connectors through center lamp hole in bracket and duct. Once installed, repeat **Step 2** in reverse to secure lamp in place. Do not over tighten screws.
6. Reset the Ballasts Lamp maintenance timer. Press and hold Ballast reset button for 3 seconds or until LED indicator blinks. The timer has now been reset for 1 full year.

HOW TO CLEAN YOUR PRODUCT

⚠ CAUTION

Under no circumstance should water be sprayed or splashed onto the product. To clean lamp, remove fully from unit per instructions in the **LAMP REPLACEMENT** section, **Steps 1-3**.

For optimal performance, the lamp should be kept free of dust and residue deposit. To ensure this, it is recommended to clean once every two to three months with a soft tissue and alcohol-based solution. Always spot test the cleaner to make sure it does not damage the surface.

See the **LAMP REPLACEMENT** section for instructions on how to safely remove lamp for cleaning

ELECTRICAL RATINGS AND POWER CONSUMPTION

The product is rated at 24 VAC. See product label to confirm power consumption of your specific unit or system.

HUMIDIFIER MAINTENANCE

For **700 Series** humidifiers installed in direct proximity to exposure from a UVC Lamp, be sure to inspect feed tube annually and replace if discolored, cracked, brittle, or has visible damage.

REPLACEMENT PARTS

AUVRPB

Regular intensity 16" UVC Lamp

8029

Step-down transformer 120 VAC to 24 VAC (40 VA)

⚠ WARNING

Use only specified AprilAire branded replacement UVC Lamps with your unit or system. Use of any other lamps will void your warranty and can result in damage to the unit, system and/or lamp(s).

LIMITED WARRANTY

Terms of Coverage

Your AprilAire® UVC Ballast is expressly warranted to be free from defects in materials or workmanship for five (5) years from date of purchase.

Your AprilAire® UVC Lamp is expressly warranted to be free from defects in materials or workmanship for one (1) year from date of purchase.

What Is Covered

The exclusive obligation of AprilAire under this Limited Warranty shall be, at the sole discretion of AprilAire, to supply, without charge, a replacement for any component or product which is found to be defective. A defective part will be replaced pursuant to this Limited Warranty with a genuine AprilAire part. A defective product will be replaced pursuant to this Limited Warranty with a new AprilAire product of equal or similar features and functionality if the original product has been discontinued or is no longer available.

Not Covered by the Limited Warranty

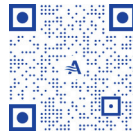
- Consumable or maintenance products, such as, but not limited to: Air Filters, Evaporative Humidifier Water Panels, Steam Canisters, or Steam Humidifier Electrode Wires.
- Labor charges, shipping costs, removal fees, service fees, or reinstallation costs.
- Damage caused by misuse, abuse, or improper installation due to failing to install the product in accordance with the instructions provided.
- Damage to HVAC equipment caused by improper installation(s) or misapplication installation(s).
- Modifications, changes, repurposing, or alterations to the AprilAire product.
- Extended warranties or satisfaction guarantees offered by third parties.
- Cosmetic damage or normal wear and tear, including, but not limited to: scratches, peeling finish, or dents that do not impede the mechanical functionality of the product.
- Damage caused by acts of nature, including but not limited to: fire, collision, flood, wind, power surge, lightning strike, or mold.
- Damage caused during transit.
- Damage caused during installation due to failure to follow local, state, or federal laws, statutes, codes, or ordinances.
- Defects in materials furnished by the installer.

Limit of Liability

IMPLIED WARRANTIES OF MERCHANTABILITY OR FITNESS FOR A PARTICULAR PURPOSE SHALL BE LIMITED IN DURATION TO THE AFOREMENTIONED EXPRESS WARRANTY PERIOD. APRILAIRE LIABILITY FOR INCIDENTAL OR CONSEQUENTIAL DAMAGES, OTHER THAN DAMAGES FOR PERSONAL INJURIES, RESULTING FROM ANY BREACH OF THE AFOREMENTIONED IMPLIED WARRANTIES OR THE ABOVE LIMITED WARRANTY IS EXPRESSLY EXCLUDED. THIS LIMITED WARRANTY IS VOID IF DEFECT(S) RESULT(S) FROM FAILURE TO INSTALL THE PRODUCT ACCORDING TO THE APRILAIRE INSTALLATION INSTRUCTIONS. IF THE LIMITED WARRANTY IS VOID DUE TO MISAPPLICATION OR IMPROPER INSTALLATION, ALL DISCLAIMERS OF IMPLIED WARRANTIES SHALL BE EFFECTIVE UPON INSTALLATION.

Some states do not allow limitations on how long an implied warranty lasts or the exclusion or limitation of incidental or consequential damages, so the above limitation(s) may not apply to your situation. This Limited Warranty gives you specific legal rights, and you may also have other rights which vary from state to state.

Register Your AprilAire® Product



Thank you for choosing AprilAire. Register your product at aprilair.com/warranty to receive important updates and notifications, and to streamline the process in the unlikely event you file a claim.

Your warranty registration information will not be sold or shared outside of this company.

Make a Warranty Claim

For questions regarding the Limited Warranty or to initiate a claim, contact AprilAire Customer Service at 1.800.334.6011 Monday through Friday, 7:00 a.m. – 5:00 p.m. Central Time.

At the sole discretion of AprilAire, you may be required to: return the product not later than thirty (30) days after the warranty period to the place of purchase or (if directed) to AprilAire, contact a professional contractor to provide warranty service, submit a product for testing related to a warranty claim, and/or send pictures of the original product with the serial number (if applicable) to AprilAire Technical Support for inspection as a condition to reviewing a claim and/or receiving a replacement product under this Limited Warranty.

AprilAire® is a registered trademark and division of Research Products Corporation.

