

KGB180 through 300

KGB180S, 210S, 240S and 300S units are available in 260000, 360000 and 480000 Btuh (76.1, 105.5 and 140.6kW) heating inputs. Gas heat sections are designed with aluminized steel tube heat exchangers.

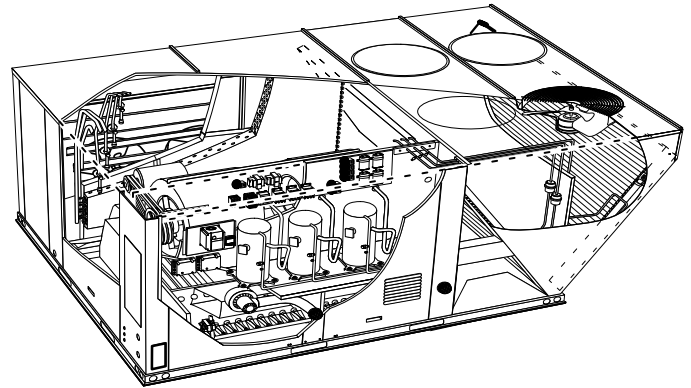
KGB units are available in standard cooling efficiencies only. Cooling capacities range from 15 to 25 tons (53 to 88kW). The KGB180S, 210S and 240S use three compressors; and the KGB300S use four compressors.

Multi-Stage Air Volume blower option is available only for KGB300S model. The blower will operate at lower speeds when cooling demand is low and increase to higher speeds when cooling demand is high. Refer to Multi-Stage Air Volume Start-Up section.

All units are designed to accept any of several different energy management thermostat control systems with minimum field wiring.

Information contained in this manual is intended for use by qualified service technicians only. All specifications are subject to change. Procedures outlined in this manual are presented as a recommendation only and do not supersede or replace local or state codes.

If the unit must be lifted for service, rig unit by attaching four cables to the holes located in the unit base rail (two holes at each corner). Refer to the installation instructions for the proper rigging technique.



⚠ IMPORTANT

The Clean Air Act of 1990 bans the intentional venting of refrigerant (CFC's and HCFC's) as of July 1, 1992. Approved methods of recovery, recycling or reclaiming must be followed. Fines and/or incarceration may be levied for non-compliance.

⚠ WARNING



Electric shock hazard. Can cause injury or death. Before attempting to perform any service or maintenance, turn the electrical power to unit OFF at disconnect switch(es). Unit may have multiple power supplies.

Table of Contents

Options / Accessories Page 2
 Specifications Page 8
 High Altitude Page 13
 Blower Data Page 9
 Electrical Data Page 12
 Parts Arrangement Page 16
 I Unit Components Page 17
 Control Box Page 17
 Cooling Page 20
 Blower Compartment Page 25
 Gas Heat Page 28
 II Placement and Installation Page 31
 III Start Up Page 31
 IV Charging Page 33
 V System Service Checks Page 44
 VI Maintenance Page 46
 VII Accessories Page 48
 VIII Diagrams Page 62

⚠ WARNING

Improper installation, adjustment, alteration, service or maintenance can cause property damage, personal injury or loss of life. Installation and service must be performed by a licensed professional HVAC installer or equivalent, service agency, or the gas supplier

⚠ CAUTION

Danger of sharp metallic edges. Can cause injury. Take care and wear protective clothing when servicing unit to avoid accidental contact with sharp edges.

OPTIONS / ACCESSORIES - STANDARD AND HIGH EFFICIENCY MODELS

Item Description	Model Number	Catalog Number	Unit Model No.				
			KGB 180	KGB 210	KGB 240	KGB 300	
COOLING SYSTEM							
Condensate Drain Trap	PVC - C1TRAP20AD2	76W26	X	X	X	X	
	Copper - C1TRAP10AD2	76W27	X	X	X	X	
Corrosion Protection		Factory	O	O	O	O	
Drain Pan Overflow Switch	C1SNSR71FF1-	10C24	X	X	X	X	
Efficiency	Standard or High	Factory	O	O	O	O	
Refrigerant Type		R-410A	O	O	O	O	
HEATING SYSTEM							
Bottom Gas Piping Kit	C1GPKT01C-1	85M31	X	X	X	X	
Combustion Air Intake Extensions (order two)	LTACA1K10/15	89L97	X	X	X	X	
Gas Heat Input	Standard - 260,000 Btuh	Factory	O	O	O	O	
	Medium - 360,000 Btuh	Factory	O	O	O	O	
	High - 480,000 Btuh	Factory	O	O	O	O	
Low Temperature Vestibule Heater	208/230V-3ph - C1LTVH10C-2Y	13X66	X	X	X	X	
	460V - C1LTVH10C-2G	13X67	X	X	X	X	
	575V - C1LTVH10C-2J	13X68	X	X	X	X	
LPG/Propane Conversion Kits (Order 2 kits)	Standard heat - C1PROP25C11	14N28	X	X	X	X	
	Medium heat - C1PROP26C11	14N29	X	X	X	X	
	High heat - C1PROP27C11	14N30	X	X	X	X	
Stainless Steel Heat Exchanger		Factory	O	O	O	O	
Vertical Vent Extension Kit	C1EXTN20FF1	42W16	X	X	X	X	
BLOWER - SUPPLY AIR							
Blower Option	CAV (Constant Air Volume)	Factory	O	O	O	O	
	MSAV® (Multi-Stage Air Volume)	Factory	O	O	O	O	
Motors - Constant Air Volume (CAV)	Belt Drive (standard efficiency) - 2 hp	Factory					
	Belt Drive (standard efficiency) - 3 hp	Factory	O	O			
	Belt Drive (standard efficiency) - 5 hp	Factory	O	O	O	O	
	Belt Drive (standard efficiency) - 7.5 hp	Factory	O	O	O	O	
	Belt Drive (standard efficiency) - 10 hp	Factory			O	O	
Motors - MSAV® (Multi-Stage Air Volume)	Belt Drive (standard efficiency) - 2 hp	Factory					
	Belt Drive (standard efficiency) - 3 hp	Factory	O	O			
	Belt Drive (standard efficiency) - 5 hp	Factory	O	O	O	O	
	Belt Drive (standard efficiency) - 7.5 hp	Factory	O	O	O	O	
	Belt Drive (standard efficiency) - 10 hp	Factory			O	O	
VFD Manual Bypass Kit (for MSAV® equipped units)	2, 3, 5 hp (208/230V)	KVFDB11C-1	90W52	X	X	X	X
	2, 3, 5, 7.5, 10 hp (460V and 575V)						
	7.5, 10 hp (208/230V)	KVFDB10C-1	90W51	X	X	X	X
Drive Kits	Kit #1 535-725 rpm	Factory	O	O			
See Blower Data Tables for usage and selection	Kit #2 710-965 rpm	Factory	O	O			
	Kit #3 685-856 rpm	Factory	O	O	O	O	
	Kit #4 850-1045 rpm	Factory	O	O	O	O	
	Kit #5 945-1185 rpm	Factory	O	O	O	O	
	Kit #6 850-1045 rpm	Factory	O	O	O	O	
	Kit #7 945-1185 rpm	Factory	O	O	O	O	
	Kit #8 1045-1285 rpm	Factory	O	O	O	O	
	Kit #10 1045-1285 rpm	Factory			O	O	
	Kit #11 1135-1365 rpm	Factory			O	O	

NOTE - Catalog and model numbers shown are for ordering field installed accessories.

OX - Configure To Order (Factory Installed) or Field Installed

O = Configure To Order (Factory Installed)

X = Field Installed

OPTIONS / ACCESSORIES - STANDARD AND HIGH EFFICIENCY MODELS

Item Description	Model Number	Catalog Number	Unit Model No.				
			KGB 180	KGB 210	KGB 240	KGB 300	
CABINET							
Hinged Access Panels		Factory	O	O	O	O	
CONTROLS							
NOTE - Also see Conventional Thermostat Control Systems page <?> for Additional Options.							
Smoke Detector - Supply or Return (Power board and one sensor)	C1SNSR44C-1	83W40	X	X	X	X	
Smoke Detector - Supply and Return (Power board and two sensors)	C1SNSR43C-1	83W41	X	X	X	X	
L Connection® Building Automation System		- - -	X	X	X	X	
ELECTRICAL							
Voltage 60 hz	208/230V - 3 phase	Factory	O	O	O	O	
	460V - 3 phase	Factory	O	O	O	O	
	575V - 3 phase	Factory	O	O	O	O	
Disconnect Switch (see Disconnect Table for usage, page 38)	80 amp - K1DISC080C-1	54W91	OX	OX	OX	OX	
	150 amp - K1DISC150C-1	54W92	OX	OX	OX	OX	
	250 amp - K1DISC250C-1	54W93				OX	
GFI Service Outlets	15 amp non-powered, field-wired (208/230V, 460V only)	LTAGFIK10/15	74M70	OX	OX	OX	OX
	20 amp non-powered, field-wired (575V only)	C1GFIC120FF1	67E01	X	X	X	X
Weatherproof Cover for GFI		C1GFIC199FF1	10C89	X	X	X	X
¹ Phase Monitor		C1PHZM01FF1	10C25	X	X	X	X
INDOOR AIR QUALITY							
Air Filters							
Healthy Climate® High Efficiency Air Filters 24 x 24 x 2 in. (Order 6 per unit)	MERV 8 - C1FLTR15C-1-	54W67	X	X	X	X	
	MERV 13 - C1FLTR40C-1-	52W40	X	X	X	X	
Replacement Media Filter With Metal Mesh Frame (includes non-pleated filter media)		C1FLTR30C-1-	44N61	X	X	X	X
Indoor Air Quality (CO ₂) Sensors							
Sensor - Wall-mount, off-white plastic cover with LCD display		C0SNSR50AE1L	77N39	X	X	X	X
Sensor - Wall-mount, off-white plastic cover, no display		C0SNSR52AE1L	87N53	X	X	X	X
Sensor - Black plastic case with LCD display, rated for plenum mounting		C0SNSR51AE1L	87N52	X	X	X	X
Sensor - Wall-mount, black plastic case, no display, rated for plenum mounting		C0MISC19AE1	87N54	X	X	X	X
CO ₂ Sensor Duct Mounting Kit - for downflow applications		C0MISC19AE1	85L43	X	X	X	X
Aspiration Box - for duct mounting non-plenum rated CO ₂ sensors (87N53 or 77N39)		C0MISC16AE1-	90N43	X	X	X	X
² UVC Germicidal Light Kit							
Healthy Climate® UVC Light Kit (110/230V-1ph)		C1UVCL10C-1		X	X	X	X
¹ Factory installed on all MSAV® equipped units.							
² Lamps operate on 110-230V single-phase power supply. Step-down transformer must be field supplied for field installation in 460V and 575V rooftop units (transformer is furnished for factory installed light kits). Alternately, a separate 110V power supply may be used to directly power the UVC ballast(s)							
NOTE - Catalog and model numbers shown are for ordering field installed accessories.							
OX - Configure To Order (Factory Installed) or Field Installed							
O = Configure To Order (Factory Installed)							
X = Field Installed							

OPTIONS / ACCESSORIES - STANDARD EFFICIENCY MODELS

Item Description	Model Number	Catalog Number	Unit Model No.			
			180S	210S	240S	300S
COOLING SYSTEM						
Condensate Drain Trap	PVC - C1TRAP20AD2	76W26	X	X	X	X
	Copper - C1TRAP10AD2	76W27	X	X	X	X
Corrosion Protection		Factory	O	O	O	O
Drain Pan Overflow Switch	C1SNSR71FF1-	10C24	X	X	X	X
Efficiency		Standard	O	O	O	O
Low Ambient Control	K1LOAM52C11	10T62	X			
	K1LOAM53C11	10T63		X		
	K1LOAM53C21	10T64			X	X
Refrigerant Type		R-410A	O	O	O	O
HEATING SYSTEM						
Bottom Gas Piping Kit	C1GPKT01C-1	85M31	X	X	X	X
Combustion Air Intake Extensions (order two)	LTACA1K10/15	89L97	X	X	X	X
Gas Heat Input	Standard - 260,000 Btuh	Factory	O	O	O	O
	Medium - 360,000 Btuh	Factory	O	O	O	O
	High - 480,000 Btuh	Factory	O	O	O	O
Low Temperature Vestibule Heater	208/230V-3ph - C1LTVH10C-1Y	58W28	X	X	X	X
	460V - C1LTVH10C-1G	58W29	X	X	X	X
	575V - C1LTVH10C-1J	58W30	X	X	X	X
LPG/Propane Conversion Kits (Order 2 kits)	Standard heat - C1PROP25C11	14N28	X	X	X	X
	Medium heat - C1PROP26C11	14N29	X	X	X	X
	High heat - C1PROP27C11	14N30	X	X	X	X
Stainless Steel Heat Exchanger		Factory	O	O	O	O
Vertical Vent Extension Kit (Order two kits)	C1EXTN2021	42W16	X	X	X	X
BLOWER - SUPPLY AIR						
Blower Option	CAV (Constant Air Volume)	Factory	O	O	O	O
	MSAV (Multi-Stage Air Volume)	Factory	O	O	O	O
Motors - Constant Air Volume (CAV)	Belt Drive (standard efficiency) - 3 hp	Factory	O	O		
	Belt Drive (standard efficiency) - 5 hp	Factory	O	O	O	O
	Belt Drive (standard efficiency) - 7.5 hp	Factory	O	O	O	O
	Belt Drive (standard efficiency) - 10 hp	Factory			O	O
Motors - MSAV® (Multi-Stage Air Volume)	Belt Drive (standard efficiency) - 3 hp	Factory	O	O		
	Belt Drive (standard efficiency) - 5 hp	Factory	O	O	O	O
	Belt Drive (standard efficiency) - 7.5 hp	Factory	O	O	O	O
	Belt Drive (standard efficiency) - 10 hp	Factory			O	O
VFD Manual Bypass Kit (for MSAV equipped units)	3 hp, 5 hp (208/230V)	KVFDB11C-1	90W52	X	X	X
	3 hp, 5 hp, 7.5 hp, 10 hp (460V and 575V) 7.5 hp, 10 hp (208/230V)	KVFDB10C-1	90W51	X	X	X
Drive Kits See Blower Data Tables for usage and selection	Kit #1 535-725 rpm	Factory	O	O		
	Kit #2 710-965 rpm	Factory	O	O		
	Kit #3 685-856 rpm	Factory	O	O	O	O
	Kit #4 850-1045 rpm	Factory	O	O	O	O
	Kit #5 945-1185 rpm	Factory	O	O	O	O
	Kit #6 850-1045 rpm	Factory	O	O	O	O
	Kit #7 945-1185 rpm	Factory	O	O	O	O
	Kit #8 1045-1285 rpm	Factory	O	O	O	O
	Kit #10 1045-1285 rpm	Factory			O	O
	Kit #11 1135-1365 rpm	Factory			O	O

NOTE - Catalog and model numbers shown are for ordering field installed accessories.

OX - Configure To Order (Factory Installed) or Field Installed

O = Configure To Order (Factory Installed)

X = Field Installed

OPTIONS / ACCESSORIES - STANDARD EFFICIENCY MODELS

Item Description	Model Number	Catalog Number	Unit Model No.				
			180S	210S	240S	300S	
CABINET							
Coil Guards	E1GARD22C11	98W76	X	X			
	E1GARD21C11	93W17			X	X	
Hail Guards	E1GARD12C11	98W77	X	X			
	E1GARD11C11	93W16			X	X	
Hinged Access Panels		Factory	O	O	O	O	
CONTROLS							
Commercial Controls	L Connection® Building Automation System		- - -	X	X	X	X
BACnet®	K0CTRL31C-2	16X72	OX	OX	OX	OX	
BACnet® Thermostat with Display	K0SNSR01FF1	97W23	X	X	X	X	
BACnet® Thermostat without Display	K0SNSR00FF1	97W24	X	X	X	X	
Novar® 2051	KOCTRL30C-1	96W13	OX	OX	OX	OX	
Plenum Cable (75 ft.)	K0MISC00FF1	97W25	X	X	X	X	
Smoke Detector - Supply or Return (Power board and one sensor)	C1SNSR44C-1	83W40	X	X	X	X	
Smoke Detector - Supply and Return (Power board and two sensors)	C1SNSR43C-1	83W41	X	X	X	X	
ELECTRICAL							
Voltage 60 hz	208/230V - 3 phase	Factory	O	O	O	O	
	460V - 3 phase	Factory	O	O	O	O	
	575V - 3 phase	Factory	O	O	O	O	
Disconnect Switch (see Disconnect Table for usage, page 38)	80 amp - K1DISC080C-1	54W91	OX	OX	OX	OX	
	150 amp - K1DISC150C-1	54W92	OX	OX	OX	OX	
GFI Service Outlets	15 amp non-powered, field-wired (208/230V, 460V only)	LTAGFIK10/15	74M70	OX	OX	OX	OX
	20 amp non-powered, field-wired (575V only)	C1GFCI20FF1	67E01	X	X	X	X
Weatherproof Cover for GFI	C1GFCI99FF1	10C89	X	X	X	X	
¹ Phase Monitor	C1PHZM01FF1-	10C25	X	X	X	X	
INDOOR AIR QUALITY							
Air Filters							
Healthy Climate® High Efficiency Air Filters 24 x 24 x 2 (Order 6 per unit)	MERV 8 - C1FLTR15C-1-	54W67	X	X	X	X	
	MERV 13 - C1FLTR40C-1-	52W40	X	X	X	X	
Replacement Media Filter With Metal Mesh Frame (includes non-pleated filter media)	C1FLTR30C-1-	44N61	X	X	X	X	
Indoor Air Quality (CO ₂) Sensors							
Sensor - Wall-mount, off-white plastic cover with LCD display	C0SNSR50AE1L	77N39	X	X	X	X	
Sensor - Wall-mount, off-white plastic cover, no display	C0SNSR52AE1L	87N53	X	X	X	X	
Sensor - Black plastic case with LCD display, rated for plenum mounting	C0SNSR51AE1L	87N52	X	X	X	X	
Sensor - Wall-mount, black plastic case, no display, rated for plenum mounting	C0MISC19AE1	87N54	X	X	X	X	
CO ₂ Sensor Duct Mounting Kit - for downflow applications	C0MISC19AE1-	85L43	X	X	X	X	
Aspiration Box - for duct mounting non-plenum rated CO ₂ sensors (87N53 or 77N39)	C0MISC16AE1-	90N43	X	X	X	X	
UVC Germicidal Light Kit							
² Healthy Climate® UVC Light Kit (110/230V-1ph)	C1UVCL10C-1	54W65	X	X	X	X	

¹ Factory installed on all MSAV equipped units.

² Lamps operate on 110-230V single-phase power supply. Step-down transformer must be field supplied for field installation in 460V and 575V rooftop units (transformer is furnished for factory installed light kits). Alternately, a separate 110V power supply may be used to directly power the UVC ballast(s).

NOTE - Catalog and model numbers shown are for ordering field installed accessories.

OX - Configure To Order (Factory Installed) or Field Installed

O = Configure To Order (Factory Installed)

X = Field Installed

OPTIONS / ACCESSORIES - STANDARD EFFICIENCY MODELS

Item Description	Model Number	Catalog Number	Unit Model No.			
			180S	210S	240S	300S
ECONOMIZER						
Standard Economizer With Outdoor Air Hood (Not for Title 24)						
Standard Economizer Downflow or Horizontal Applications - Includes Outdoor Air Hood, order Downflow or Horizontal Barometric Relief Dampers separately	K1ECON20C-3	13U48	OX	OX	OX	OX
Standard Economizer Controls (Not for Title 24)						
Single Enthalpy Control	C1SNSR64FF1	53W64	OX	OX	OX	OX
Differential Enthalpy Control (order 2)	C1SNSR64FF1	53W64	X	X	X	X
High Performance Economizer With Outdoor Air Hood (Approved for California Title 24 Building Standards)						
High Performance Economizer Downflow or Horizontal Applications - Includes Outdoor Air Hood, order Downflow or Horizontal Barometric Relief Dampers separately	K1ECON22C-1	10U61	OX	OX	OX	OX
High Performance Economizer Controls (Not for Title 24)						
Single Enthalpy Control	C1SNSR60FF1	10Z75	OX	OX	OX	OX
Differential Enthalpy Control (order 2)	C1SNSR60FF1	10Z75	X	X	X	X
Barometric Relief Dampers With Exhaust Hood						
Downflow Barometric Relief Dampers	C1DAMP50C	54W78	OX	OX	OX	OX
Horizontal Barometric Relief Dampers	LAGEDH18/24	16K99	X	X	X	X
OUTDOOR AIR						
Outdoor Air Dampers With Outdoor Air Hood						
Motorized	C1DAMP20C-1	13U04	OX	OX	OX	OX
Manual	C1DAMP10C-2	13U05	OX	OX	OX	OX
POWER EXHAUST (DOWNFLOW APPLICATIONS ONLY)						
Standard Static	208/230V - C1PWRE11C-1Y	75W90	X	X	X	X
	460V - C1PWRE11C-1G	75W91	X	X	X	X
	575V - C1PWRE11C-1J	75W92	X	X	X	X
ROOF CURBS						
Hybrid Roof Curbs, Downflow						
8 in. height	C1CURB70C-1	11F58	X	X	X	X
14 in. height	C1CURB71C-1	11F59	X	X	X	X
18 in. height	C1CURB72C-1	11F60	X	X	X	X
24 in. height	C1CURB73C-1	11F61	X	X	X	X
Adjustable Pitch Curb						
14 in. height	L1CURB55C	43W26	X	X	X	X
Standard Roof Curbs, Horizontal - Requires Horizontal Return Air Panel Kit						
26 in. height - slab applications	C1CURB14C-1	11T89	X	X	X	
37 in. height - rooftop applications	C1CURB15C-1	11T90	X	X	X	
30 in. height - slab applications	C1CURB16C-1	11T96				X
41 in. height - rooftop applications	C1CURB17C-1	11T97				X
Insulation Kit For Standard Horizontal Curbs						
for LARMFH18/24-26	C1INSU11C-1-	73K32	X	X	X	
for LARMFH18/24-37	C1INSU13C-1-	73K34	X	X	X	
for LARMFH30/36-30	C1INSU12C-1-	73K33				X
for LARMFH30/36-41	C1INSU14C-1-	73K35				X
Horizontal Return Air Panel Kit						
Required for Horizontal Applications with Roof Curb	C1HRAP10C-1-	87M00	X	X	X	X

NOTE - Catalog and model numbers shown are for ordering field installed accessories.

OX - Configure To Order (Factory Installed) or Field Installed

O = Configure To Order (Factory Installed)

X = Field Installed

OPTIONS / ACCESSORIES - STANDARD EFFICIENCY MODELS

Item Description	Model Number	Catalog Number	Unit Model No.			
			180S	210S	240S	300S
CEILING DIFFUSERS						
Step-Down - Order one	RTD11-185S	13K63	X			
	RTD11-275S	13K64		X	X	X
Flush - Order one	FD11-185S	13K58	X			
	FD11-275S	13K59		X	X	X
Transitions (Supply and Return) - Order one	C1DIFF33C-1	12X68	X			
	C1DIFF34C-1	12X70		X	X	X

NOTE - Catalog and model numbers shown are for ordering field installed accessories.

OX - Configure To Order (Factory Installed) or Field Installed

O = Configure To Order (Factory Installed)

X = Field Installed

SPECIFICATIONS - STANDARD EFFICIENCY

General Data		Nominal Tonnage	15 Ton	15 Ton	17.5 Ton	17.5 Ton	
		Model Number	KGB180S4B	KGB180S4M	KGB210S4B	KGB210S4M	
		Efficiency Type	Standard	Standard	Standard	Standard	
		Blower Type	CAV (Constant Air Volume)	MSAV® (Multi-Stage Air Volume)	CAV (Constant Air Volume)	MSAV® (Multi-Stage Air Volume)	
Cooling Performance	Gross Cooling Capacity - Btuh		182,000	182,000	206,000	206,000	
	¹ Net Cooling Capacity - Btuh		176,000	176,000	200,000	200,000	
	AHRI Rated Air Flow - cfm		6000	6000	5700	5700	
	Total Unit Power - kW		16.3	16.3	18.5	18.5	
	¹ EER (Btuh/Watt)		10.8	10.8	10.8	10.8	
	² IEER (Btuh/Watt)		12.2	13.6	12.2	13.3	
Refrigerant Charge		Refrigerant Type	R-410A	R-410A	R-410A	R-410A	
Refrigerant Charge	Environ™ Coil System	Circuit 1	5 lbs. 14 oz.	5 lbs. 14 oz.	6 lbs. 8 oz.	6 lbs. 8 oz.	
		Circuit 2	5 lbs. 11 oz.	5 lbs. 11 oz.	6 lbs. 4 oz.	6 lbs. 4 oz.	
		Circuit 3	5 lbs. 13 oz.	5 lbs. 13 oz.	6 lbs. 2 oz.	6 lbs. 2 oz.	
	Conventional Fin/Tube Coil Option	Circuit 1	12 lbs. 7 oz.	12 lbs. 7 oz.	11 lbs. 0 oz.	11 lbs. 0 oz.	
		Circuit 2	12 lbs. 0 oz.	12 lbs. 0 oz.	11 lbs. 0 oz.	11 lbs. 0 oz.	
		Circuit 3	11 lbs. 3 oz.	11 lbs. 3 oz.	11 lbs. 0 oz.	11 lbs. 0 oz.	
	Conventional Fin/Tube with Humiditrol® Option	Circuit 1	12 lbs. 10 oz.	12 lbs. 10 oz.	10 lbs. 10 oz.	10 lbs. 10 oz.	
		Circuit 2	12 lbs. 10 oz.	12 lbs. 10 oz.	10 lbs. 15 oz.	10 lbs. 15 oz.	
		Circuit 3	11 lbs. 12 oz.	11 lbs. 12 oz.	10 lbs. 7 oz.	10 lbs. 7 oz.	
	Gas Heat Available						
	Compressor Type (number)			Scroll (3)	Scroll (2)	Scroll (3)	Scroll (3)
	Outdoor Coils Environ™ (Fin/Tube)	Net face area (total) - sq. ft.		41.4	41.4	41.4	41.4
Number of rows			1 (2)	1 (2)	1 (2)	1 (2)	
Fins per inch			23 (20)	23 (20)	23 (20)	23 (20)	
Outdoor Coil Fans	Motor - (No.) horsepower		(3) 1/3	(3) 1/3	(3) 1/3	(3) 1/3	
	Motor rpm		1075	1075	1075	1075	
	Total Motor watts		1100	1100	1100	1100	
	Diameter - (No.) in.		(3) 24	(3) 24	(3) 24	(3) 24	
	Number of blades		3	3	3	3	
	Total Air volume - cfm		12,000	12,000	12,000	12,000	
Indoor Coils	Net face area (total) - sq. ft.		21.4	21.4	21.4	21.4	
	Tube diameter - in.		3/8	3/8	3/8	3/8	
	Number of rows		3	3	4	4	
	Fins per inch		14	14	14	14	
	Drain connection - No. and size		(1) 1 in. FPT	(1) 1 in. FPT	(1) 1 in. FPT	(1) 1 in. FPT	
	Expansion device type		Refrigerant Metering Orifice (RFC) - No Humiditrol® Option Balanced port TXV, removable head - Humiditrol® Humiditrol® Option				
³ Indoor Blower and Drive Selection	Nominal motor output		3 hp, 5 hp, 7.5 hp				
	Maximum usable motor output (US Only)		3.45 hp, 5.75 hp, 8.63 hp				
	Motor - Drive kit number		3 hp Kit 1 535-725 rpm Kit 2 710-965 rpm 5 hp Kit 3 685-856 rpm Kit 4 850-1045 rpm Kit 5 945-1185 rpm 7.5 hp Kit 6 850-1045 rpm Kit 7 945-1185 rpm Kit 8 1045-1285 rpm				
	Blower wheel nominal diameter x width - in.		(2) 15 x 15	(2) 15 x 15	(2) 15 x 15	(2) 15 x 15	
Filters	Type of filter		Fiberglass, disposable				
	Number and size - in.		(6) 24 x 24 x 2				
Electrical characteristics			208/230V, 460V or 575V - 60 hertz - 3 phase				

NOTE - Net capacity includes evaporator blower motor heat deduction. Gross capacity does not include evaporator blower motor heat deduction.

¹ AHRI Certified to AHRI Standard 340/360; 95°F outdoor air temperature and 80°F db/67°F wb entering evaporator air; minimum external duct static pressure.

² Integrated Energy Efficiency Ratio tested according to AHRI Standard 340/360.

³ Using total air volume and system static pressure requirements determine from blower performance tables rpm and motor output required. Maximum usable output of motors furnished are shown. In Canada, nominal motor output is also maximum usable motor output. If motors of comparable output are used, be sure to keep within the service factor limitations outlined on the motor nameplate.

NOTE – Units equipped with MSAV® (Multi-Stage Air Volume) option are limited to a motor service factor of 1.0.

SPECIFICATIONS - STANDARD EFFICIENCY

General Data		Nominal Tonnage	20 Ton	20 Ton	25 Ton	25 Ton	
		Model Number	KGB240S4B	KGB240S4M	KGB300S4B	KGB300S4M	
		Efficiency Type	Standard	Standard	Standard	Standard	
		Blower Type	CAV (Constant Air Volume)	MSAV® (Multi-Stage Air Volume)	CAV (Constant Air Volume)	MSAV® (Multi-Stage Air Volume)	
Cooling Performance	Gross Cooling Capacity - Btuh		236,000	236,000	282,000	282,000	
	¹ Net Cooling Capacity - Btuh		230,000	230,000	270,000	270,000	
	AHRI Rated Air Flow - cfm		6000	6000	8400	8400	
	Total Unit Power - kW		21.3	21.3	25.7	25.7	
	¹ EER (Btuh/Watt)		10.8	10.8	10.5	10.5	
	² IEER (Btuh/Watt)		12.2	13.4	11.4	13.8	
Refrigerant Charge	Refrigerant Type		R-410A	R-410A	R-410A	R-410A	
Refrigerant Charge	Environ™ Coil System	Circuit 1	7 lbs. 0 oz.	7 lbs. 0 oz.	6 lbs. 4 oz.	6 lbs. 4 oz.	
		Circuit 2	6 lbs. 15 oz.	6 lbs. 15 oz.	5 lbs. 10 oz.	5 lbs. 10 oz.	
		Circuit 3	6 lbs. 12 oz.	6 lbs. 12 oz.	6 lbs. 6 oz.	6 lbs. 6 oz.	
		Circuit 4	---	---	6 lbs. 0 oz.	6 lbs. 0 oz.	
	Conventional Fin/Tube Coil Option	Circuit 1	14 lbs. 0 oz.	14 lbs. 0 oz.	10 lbs. 8 oz.	10 lbs. 8 oz.	
		Circuit 2	13 lbs. 12 oz.	13 lbs. 12 oz.	10 lbs. 0 oz.	10 lbs. 0 oz.	
		Circuit 3	12 lbs. 0 oz.	12 lbs. 0 oz.	9 lbs. 12 oz.	9 lbs. 12 oz.	
		Circuit 4	---	---	9 lbs. 12 oz.	9 lbs. 12 oz.	
	Conventional Fin/Tube with Humiditrol® Option	Circuit 1	14 lbs. 10 oz.	14 lbs. 10 oz.	12 lbs. 12 oz.	12 lbs. 12 oz.	
		Circuit 2	13 lbs. 4 oz.	13 lbs. 4 oz.	11 lbs. 12 oz.	11 lbs. 12 oz.	
		Circuit 3	12 lbs. 14 oz.	12 lbs. 14 oz.	9 lbs. 12 oz.	9 lbs. 12 oz.	
		Circuit 4	---	---	9 lbs. 12 oz.	9 lbs. 12 oz.	
	Gas Heat Available						
	Compressor Type (number)			Scroll (3)	Scroll (3)	Scroll (4)	Scroll (4)
	Outdoor Coils Environ™ (Fin/Tube)	Net face area (total) - sq. ft.		55.2	55.2	55.2	55.2
		Number of rows		1 (2)	1 (2)	1 (2)	1 (2)
Fins per inch			23 (20)	23 (20)	23 (20)	23 (20)	
Outdoor Coil Fans	Motor - (No.) horsepower		(4) 1/3	(4) 1/3	(6) 1/3	(6) 1/3	
	Motor rpm		1075	1075	1075	1075	
	Total Motor watts		1665	1665	1950	1950	
	Diameter - (No.) in.		(4) 24	(4) 24	(6) 24	(6) 24	
	Number of blades		3	3	3	3	
	Total Air volume - cfm		16,000	16,000	20,000	20,000	
Indoor Coils	Net face area (total) - sq. ft.		21.4	21.4	21.4	21.4	
	Tube diameter - in.		3/8	3/8	3/8	3/8	
	Number of rows		4	4	4	4	
	Fins per inch		14	14	14	14	
	Drain connection - No. and size		(1) 1 in. FPT	(1) 1 in. FPT	(1) 1 in. FPT	(1) 1 in. FPT	
	Expansion device type		Refrigerant Metering Orifice (RFC) - No Humiditrol®Humiditrol® Option Balanced port TXV, removable head -Humiditrol® Humiditrol® Option				
³ Indoor Blower and Drive Selection	Nominal motor output		5 hp, 7.5 hp, 10 hp				
	Maximum usable motor output (US Only)		5.75 hp, 8.62 hp, 11.5 hp				
	Motor - Drive kit number		5 hp Kit 3 685-856 rpm Kit 4 850-1045 rpm Kit 5 945-1185 rpm 7.5 hp Kit 6 850-1045 rpm Kit 7 945-1185 rpm Kit 8 1045-1285 rpm 10 hp Kit 7 945-1185 rpm Kit 10 1045-1285 rpm Kit 11 1135-1365 rpm				
	Blower wheel nominal diameter x width - in.		(2) 15 x 15	(2) 15 x 15	(2) 15 x 15	(2) 15 x 15	
Filters	Type of filter		Fiberglass, disposable				
	Number and size - in.		(6) 24 x 24 x 2				
Electrical characteristics			208/230V, 460V or 575V - 60 hertz - 3 phase				

NOTE - Net capacity includes evaporator blower motor heat deduction. Gross capacity does not include evaporator blower motor heat deduction.

¹ AHRI Certified to AHRI Standard 340/360; 95°F outdoor air temperature and 80°F db/67°F wb entering evaporator air; minimum external duct static pressure.

² Integrated Energy Efficiency Ratio tested according to AHRI Standard 340/360.

³ Using total air volume and system static pressure requirements determine from blower performance tables rpm and motor output required. Maximum usable output of motors furnished are shown. In Canada, nominal motor output is also maximum usable motor output. If motors of comparable output are used, be sure to keep within the service factor limitations outlined on the motor nameplate.

NOTE - Units equipped with MSAV® (Multi-Stage Air Volume) option are limited to a motor service factor of 1.0.

SPECIFICATIONS - GAS HEAT

Usage Data		Model Number	KGB180 KGB210 KGB240 KGB300	KGB180 KGB210 KGB240 KGB300	
		Heat Input Type	Standard (S)	Medium (M)	High (H)
		Number of Gas Heat Stages	2	2	2
Gas Heating Performance	Input - Btuh	First Stage	169,000	234,000	312,000
		Second Stage	260,000	360,000	480,000
	Output - Btuh	First Stage	---	---	---
		Second Stage	208,000	288,000	384,000
		Temperature Rise Range - °F	15 - 45	30 - 60	40 - 70
		Thermal Efficiency	80.0%	80.0%	80.0%
		Gas Supply Connections	1 in. npt	1 in. npt	1 in. npt
Recommended Gas Supply Pressure - in. w.g.		Natural	7	7	7
		LPG/Propane	11	11	11

HIGH ALTITUDE DERATE

Units may be installed at altitudes up to 2000 feet above sea level without any modification.

At altitudes above 2000 feet, units must be derated to match gas manifold pressures shown in table below.

At altitudes above 2000 feet unit must be derated to match gas manifold pressures shown in the table below.

NOTE – This is the only permissible derate for these units.

Gas Heat Type	Altitude - ft.	Gas Manifold Pressure - in. w.g.		Input Rate Natural Gas or LPG/Propane - Btuh	
		Natural Gas	LPG/Propane Gas	First Stage	Second Stage
Standard	2001 - 4500	3.4	9.6	169,000	249,000
Medium	2001 - 4500	3.4	9.6	234,000	345,000
High	2001 - 4500	3.4	9.6	312,000	460,000

BLOWER DATA

BLOWER TABLE INCLUDES RESISTANCE FOR BASE UNIT ONLY WITH DRY INDOOR COIL & AIR FILTERS IN PLACE FOR ALL UNITS ADD:

- 1 - Wet indoor coil air resistance of selected unit.
- 2 - Any factory installed options air resistance (heat section, economizer, etc.)
- 3 - Any field installed accessories air resistance (heat section, duct resistance, diffuser, etc.)

Then determine from blower table blower motor output and drive required.

See page 12 for wet coil and option/accessory air resistance data.

See page 12 for factory installed drive kit specifications.

MINIMUM AIR VOLUME REQUIRED FOR DIFFERENT GAS HEAT SIZES

Standard (S) and Medium Heat (M) - 4500 cfm minimum

High Heat (H) - 5125 cfm minimum

Air Volume cfm	TOTAL STATIC PRESSURE - Inches Water Gauge (Pa)																																																																																																																																																																																																																																																																																																																																																																																																																																																																																																																																																																																																																																																																																																																																																																																																																																																																																																																																																																																																																																																																																																																																																																																																											
	0.20	0.40	0.60	0.80	1.00	1.20	1.40	1.60	1.80	2.00	2.20	2.40	2.60	0.20	0.40	0.60	0.80	1.00	1.20	1.40	1.60	1.80	2.00	2.20	2.40	2.60																																																																																																																																																																																																																																																																																																																																																																																																																																																																																																																																																																																																																																																																																																																																																																																																																																																																																																																																																																																																																																																																																																																																																																																		
2750	385	0.30	505	0.50	600	0.70	680	0.90	755	1.10	820	1.30	885	1.50	950	1.70	1015	1.90	1080	2.10	1145	1.30	1210	1.50	1275	1.70	1340	1.90	1405	2.10	1470	2.30	1535	2.50	1600	2.70	1665	2.90	1730	3.10	1795	3.30	1860	3.50	1925	3.70	1990	3.90	2055	4.10	2120	4.30	2185	4.50	2250	4.70	2315	4.90	2380	5.10	2445	5.30	2510	5.50	2575	5.70	2640	5.90	2705	6.10	2770	6.30	2835	6.50	2900	6.70	2965	6.90	3030	7.10	3095	7.30	3160	7.50	3225	7.70	3290	7.90	3355	8.10	3420	8.30	3485	8.50	3550	8.70	3615	8.90	3680	9.10	3745	9.30	3810	9.50	3875	9.70	3940	9.90	4005	10.10	4070	10.30	4135	10.50	4200	10.70	4265	10.90	4330	11.10	4395	11.30	4460	11.50	4525	11.70	4590	11.90	4655	12.10	4720	12.30	4785	12.50	4850	12.70	4915	12.90	4980	13.10	5045	13.30	5110	13.50	5175	13.70	5240	13.90	5305	14.10	5370	14.30	5435	14.50	5500	14.70	5565	14.90	5630	15.10	5695	15.30	5760	15.50	5825	15.70	5890	15.90	5955	16.10	6020	16.30	6085	16.50	6150	16.70	6215	16.90	6280	17.10	6345	17.30	6410	17.50	6475	17.70	6540	17.90	6605	18.10	6670	18.30	6735	18.50	6800	18.70	6865	18.90	6930	19.10	6995	19.30	7060	19.50	7125	19.70	7190	19.90	7255	20.10	7320	20.30	7385	20.50	7450	20.70	7515	20.90	7580	21.10	7645	21.30	7710	21.50	7775	21.70	7840	21.90	7905	22.10	7970	22.30	8035	22.50	8100	22.70	8165	22.90	8230	23.10	8295	23.30	8360	23.50	8425	23.70	8490	23.90	8555	24.10	8620	24.30	8685	24.50	8750	24.70	8815	24.90	8880	25.10	8945	25.30	9010	25.50	9075	25.70	9140	25.90	9205	26.10	9270	26.30	9335	26.50	9400	26.70	9465	26.90	9530	27.10	9595	27.30	9660	27.50	9725	27.70	9790	27.90	9855	28.10	9920	28.30	9985	28.50	10050	28.70	10115	28.90	10180	29.10	10245	29.30	10310	29.50	10375	29.70	10440	29.90	10505	30.10	10570	30.30	10635	30.50	10700	30.70	10765	30.90	10830	31.10	10895	31.30	10960	31.50	11025	31.70	11090	31.90	11155	32.10	11220	32.30	11285	32.50	11350	32.70	11415	32.90	11480	33.10	11545	33.30	11610	33.50	11675	33.70	11740	33.90	11805	34.10	11870	34.30	11935	34.50	12000	34.70	12065	34.90	12130	35.10	12195	35.30	12260	35.50	12325	35.70	12390	35.90	12455	36.10	12520	36.30	12585	36.50	12650	36.70	12715	36.90	12780	37.10	12845	37.30	12910	37.50	12975	37.70	13040	37.90	13105	38.10	13170	38.30	13235	38.50	13300	38.70	13365	38.90	13430	39.10	13495	39.30	13560	39.50	13625	39.70	13690	39.90	13755	40.10	13820	40.30	13885	40.50	13950	40.70	14015	40.90	14080	41.10	14145	41.30	14210	41.50	14275	41.70	14340	41.90	14405	42.10	14470	42.30	14535	42.50	14600	42.70	14665	42.90	14730	43.10	14795	43.30	14860	43.50	14925	43.70	14990	43.90	15055	44.10	15120	44.30	15185	44.50	15250	44.70	15315	44.90	15380	45.10	15445	45.30	15510	45.50	15575	45.70	15640	45.90	15705	46.10	15770	46.30	15835	46.50	15900	46.70	15965	46.90	16030	47.10	16095	47.30	16160	47.50	16225	47.70	16290	47.90	16355	48.10	16420	48.30	16485	48.50	16550	48.70	16615	48.90	16680	49.10	16745	49.30	16810	49.50	16875	49.70	16940	49.90	17005	50.10	17070	50.30	17135	50.50	17200	50.70	17265	50.90	17330	51.10	17395	51.30	17460	51.50	17525	51.70	17590	51.90	17655	52.10	17720	52.30	17785	52.50	17850	52.70	17915	52.90	17980	53.10	18045	53.30	18110	53.50	18175	53.70	18240	53.90	18305	54.10	18370	54.30	18435	54.50	18500	54.70	18565	54.90	18630	55.10	18695	55.30	18760	55.50	18825	55.70	18890	55.90	18955	56.10	19020	56.30	19085	56.50	19150	56.70	19215	56.90	19280	57.10	19345	57.30	19410	57.50	19475	57.70	19540	57.90	19605	58.10	19670	58.30	19735	58.50	19800	58.70	19865	58.90	19930	59.10	19995	59.30	20060	59.50	20125	59.70	20190	59.90	20255	60.10	20320	60.30	20385	60.50	20450	60.70	20515	60.90	20580	61.10	20645	61.30	20710	61.50	20775	61.70	20840	61.90	20905	62.10	20970	62.30	21035	62.50	21100	62.70	21165	62.90	21230	63.10	21295	63.30	21360	63.50	21425	63.70	21490	63.90	21555	64.10	21620	64.30	21685	64.50	21750	64.70	21815	64.90	21880	65.10	21945	65.30	22010	65.50	22075	65.70	22140	65.90	22205	66.10	22270	66.30	22335	66.50	22400	66.70	22465	66.90	22530	67.10	22595	67.30	22660	67.50	22725	67.70	22790	67.90	22855	68.10	22920	68.30	22985	68.50	23050	68.70	23115	68.90	23180	69.10	23245	69.30	23310	69.50	23375	69.70	23440	69.90	23505	70.10	23570	70.30	23635	70.50	23700	70.70	23765	70.90	23830	71.10	23895	71.30	23960	71.50	24025	71.70	24090	71.90	24155	72.10	24220	72.30	24285	72.50	24350	72.70	24415	72.90	24480	73.10	24545	73.30	24610	73.50	24675	73.70	24740	73.90	24805	74.10	24870	74.30	24935	74.50	25000	74.70	25065	74.90	25130	75.10	25195	75.30	25260	75.50	25325	75.70	25390	75.90	25455	76.10	25520	76.30	25585	76.50	25650	76.70	25715	76.90	25780	77.10	25845	77.30	25910	77.50	25975	77.70	26040	77.90	26105	78.10	26170	78.30	26235	78.50	26300	78.70	26365	78.90	26430	79.10	26495	79.30	26560	79.50	26625	79.70	26690	79.90	26755	80.10	26820	80.30	26885	80.50	26950	80.70	27015	80.90	27080	81.10	27145	81.30	27210	81.50	27275	81.70	27340	81.90	27405	82.10	27470	82.30	27535	82.50	27600	82.70	27665	82.90	27730	83.10	27795	83.30	27860	83.50	27925	83.70	27990	83.90	28055	84.10	28120	84.30	28185	84.50	28250	84.70	28315	84.90	28380	85.10	28445	85.30	28510	85.50	28575	85.70	28640	85.90	28705	86.10	28770	86.30	28835	86.50	28900	86.70	28965	86.90	29030	87.10	29095	87.30	29160	87.50	29225	87.70	29290	87.90	29355	88.10	29420	88.30	29485	88.50	29550	88.70	29615	88.90	29680	89.10	29745	89.30	29810	89.50	29875	89.70	29940	89.90	30005	90.10	30070	90.30	30135	90.50	30200	90.70	30265	90.90	30330	91.10	30395	91.30	30460	91.50	30525	91.70	30590	91.90	30655	92.10	30720	92.30	30785	92.50	30850	92.70	30915	92.90	30980	93.10	31045	93.30	31110	93.50	31175	93.70	31240	93.90	31305	94.10	31370	94.30	31435	94.50	31500	94.70	31565	94.90	31630	95.10	31695	95.30	31760	95.50	31825	95.70	31890	95.90	31955	96.10	32020	96.30	32085	96.50	32150	96.70	32215	96.90	32280	97.10	32345	97.30	32410	97.50	32475	97.70	32540	97.90	32605	98.10	32670	98.30	32735	98.50	32800	98.70	32865	98.90	32930	99.10	32995	99.30	33060	99.50	33125	99.70	33190	99.90	33255	100.10	33320	100.30	33385	100.50	33450	100.70	33515	100.90	33580	101.10	33645	101.30	33710	101.50	33775	101.70	33840	101.90	33905	102.10	33970	102.30	34035	102.50	34100	102.70	34165	102.90	34230	103.10	34295	103.30	34360	103.50	34425	103.70	34490	103.90	34555	104.10	34620	104.30	34685	104.50	34750	104.70	34815	104.90	34880	105.10	34945	105.30	35010	105.50	35075	105.70	35140	105.90	35205	106.10	35270	106.30	35335	106.50	35400	106.70	35465	106.90	35530	107.10	35595	107.30	35660	107.50	35725	107.70	35790	107.90	35855	108.10	35920	108.30	35985	108.50	36050	108.70	36115	108.90	36180	109.10	36245	109.30	36310	109.50	36375	109.70	36440	109.90	36505	110.10	36570	110.30	36635	110.50	36700	110.70	36765	110.90	36830	111.10	36895	111.30	36960	111.50	37025	111.70	37090	111.90	37155	112.10	37220	112.30	37285	112.50	37350	112.70	37415	112.90	37480	113.10	37545	113.30	37610	113.50	37675	113.70	37740	113.90	37805	114.10	37870	114.30	37935	114.50	38000	114.70	38065	114.90	38130	115.10	38195	115.30	38260	115.50</

BLOWER DATA

FACTORY INSTALLED BELT DRIVE KIT SPECIFICATIONS

Motor Efficiency	Nominal hp	Maximum hp	Drive Kit Number	RPM Range
Standard or High	2	2.30	1	535 - 725
Standard or High	2	2.30	2	710 - 965
Standard	3	3.45	1	535 - 725
Standard	3	3.45	2	710 - 965
Standard	5	5.75	3	685 - 856
Standard	5	5.75	4	850 - 1045
Standard	5	5.75	5	945 - 1185
Standard	7.5	8.63	6	850 - 1045
Standard	7.5	8.63	7	945 - 1185
Standard	7.5	8.63	8	1045 - 1285
Standard	10	11.50	7	945 - 1185
Standard	10	11.50	10	1045 - 1285
Standard	10	11.50	11	1135 - 1365

NOTE - Using total air volume and system static pressure requirements determine from blower performance tables rpm and motor output required. Maximum usable output of motors furnished are shown. In Canada, nominal motor output is also maximum usable motor output. If motors of comparable output are used, be sure to keep within the service factor limitations outlined on the motor nameplate.

NOTE - Units equipped with MSAV® (Multi-Stage Air Volume) option are limited to a motor service factor of 1.0.

FACTORY INSTALLED OPTIONS/FIELD INSTALLED ACCESSORY AIR RESISTANCE - in w.g.

Air Volume cfm	Wet Indoor Coil		Humiditrol® Condenser Reheat Coil	Gas Heat Exchanger			Economizer	Filters		Horizontal Roof Curb	
	156H 180H 180S	210H 210S 240H 240S 300S		Low/ Standard Heat	Medium Heat	High Heat		MERV 8	MERV 13	156H thru 240H	300S
2750	.01	.02	.01	.02	.04	.05	---	.01	.03	.03	-
3000	.01	.02	.01	.03	.04	.05	---	.01	.03	.04	-
3250	.01	.03	.01	.03	.05	.06	---	.01	.04	.04	.01
3500	.01	.03	.02	.03	.05	.06	---	.01	.04	.05	.01
3750	.01	.03	.02	.04	.06	.07	---	.01	.04	.05	.01
4000	.02	.04	.02	.04	.06	.07	---	.01	.04	.06	.02
4250	.02	.04	.02	.04	.06	.08	---	.01	.05	.07	.02
4500	.02	.05	.02	.05	.07	.09	---	.01	.05	.07	.02
4750	.02	.05	.02	.05	.08	.10	---	.02	.05	.08	.03
5000	.02	.05	.02	.05	.09	.11	---	.02	.06	.08	.03
5250	.02	.06	.03	.06	.10	.12	---	.02	.06	.09	.04
5500	.02	.07	.03	.06	.10	.13	---	.02	.06	.10	.04
5750	.03	.07	.03	.06	.11	.14	---	.02	.07	.11	.05
6000	.03	.08	.03	.07	.12	.15	---	.03	.07	.11	.06
6250	.03	.08	.03	.07	.12	.16	.01	.03	.07	.12	.07
6500	.03	.09	.04	.08	.13	.17	.02	.03	.08	.13	.08
6750	.04	.10	.04	.08	.14	.18	.03	.03	.08	.14	.08
7000	.04	.10	.04	.09	.15	.19	.04	.04	.08	.15	.09
7250	.04	.11	.04	.09	.16	.20	.05	.04	.09	.16	.10
7500	.05	.12	.05	.10	.17	.21	.06	.04	.09	.17	.11
8000	.05	.13	.05	.11	.19	.24	.09	.05	.10	.19	.13
8500	.06	.15	.05	.12	.20	.26	.11	.05	.10	.21	.15
9000	.07	.16	.06	.13	.23	.29	.14	.06	.11	.24	.17
9500	.08	.18	.07	.14	.25	.32	.16	.07	.12	.26	.19
10,000	.08	.20	.07	.16	.27	.35	.19	.07	.12	.29	.21
10,500	.09	.22	.08	.17	.30	.38	.22	.08	.13	.31	.24
11,000	.11	.24	.08	.18	.31	.40	.25	.09	.14	.34	.27

BLOWER DATA

CEILING DIFFUSER AIR RESISTANCE - in. w.g.

Air Volume cfm	Step-Down Diffuser						Flush Diffuser	
	RTD11-185S			RTD11-275			FD11-185S	FD11-275
	2 Ends Open	1 Side/2 Ends Open	All Ends & Sides Open	2 Ends Open	1 Side/2 Ends Open	All Ends & Sides Open		
5000	.51	.44	.39	---	---	---	.27	---
5200	.56	.48	.42	---	---	---	.30	---
5400	.61	.52	.45	---	---	---	.33	---
5600	.66	.56	.48	---	---	---	.36	---
5800	.71	.59	.51	---	---	---	.39	---
6000	.76	.63	.55	.36	.31	.27	.42	.29
6200	.80	.68	.59	---	---	---	.46	---
6400	.86	.72	.63	---	---	---	.50	---
6500	---	---	---	.42	.36	.31	---	.34
6600	.92	.77	.67	---	---	---	.54	---
6800	.99	.83	.72	---	---	---	.58	---
7000	1.03	.87	.76	.49	.41	.36	.62	.40
7200	1.09	.92	.80	---	---	---	.66	---
7400	1.15	.97	.84	---	---	---	.70	---
7500	---	---	---	.51	.46	.41	---	.45
7600	1.20	1.02	.88	---	---	---	.74	---
8000	---	---	---	.59	.49	.43	---	.50
8500	---	---	---	.69	.58	.50	---	.57
9000	---	---	---	.79	.67	.58	---	.66
9500	---	---	---	.89	.75	.65	---	.74
10,000	---	---	---	1.00	.84	.73	---	.81
10,500	---	---	---	1.10	.92	.80	---	.89
11,000	---	---	---	1.21	1.01	.88	---	.96

CEILING DIFFUSER AIR THROW DATA

Model No.	Air Volume cfm	¹ Effective Throw Range - ft.		Model No.	Air Volume cfm	¹ Effective Throw Range - ft.	
		RTD11-185S Step-Down	FD11-185S Flush			RTD11-275 Step-Down	FD11-275 Flush
156 180	5600	39 - 49	28 - 37	210 240 300	7200	33 - 38	26 - 35
	5800	42 - 51	29 - 38		7400	35 - 40	28 - 37
	6000	44 - 54	40 - 50		7600	36 - 41	29 - 38
	6200	45 - 55	42 - 51		7800	38 - 43	40 - 50
	6400	46 - 55	43 - 52		8000	39 - 44	42 - 51
	6600	47 - 56	45 - 56		8200	41 - 46	43 - 52
					8400	43 - 49	44 - 54
					8600	44 - 50	46 - 57
					8800	47 - 55	48 - 59

¹ Throw is the horizontal or vertical distance an airstream travels on leaving the outlet diffuser before the maximum velocity is reduced to 50 ft. per minute. Four sides open.

POWER EXHAUST FAN PERFORMANCE

Return Air System Static Pressure	Air Volume Exhausted
in. w.g.	cfm
0.00	8630
0.05	8210
0.10	7725
0.15	7110
0.20	6470
0.25	5790
0.30	5060
0.35	4300
0.40	3510
0.45	2690
0.50	1840

ELECTRICAL DATA

15 TON STANDARD EFFICIENCY

KGB180S4

¹ Voltage - 60hz		208/230V - 3 Ph			460V - 3 Ph			575V - 3 Ph		
Compressor 1	Rated Load Amps	11.6			6.3			4.9		
	Locked Rotor Amps	93			60			41		
Compressor 2	Rated Load Amps	11.6			6.3			4.9		
	Locked Rotor Amps	93			60			41		
Compressor 3	Rated Load Amps	11.6			6.3			4.9		
	Locked Rotor Amps	93			60			41		
Outdoor Fan Motors (3)	Full Load Amps (total)	2.4 (7.2)			1.3 (3.9)			1 (3)		
Power Exhaust (2) 0.33 HP	Full Load Amps (total)	2.4 (4.8)			1.3 (2.6)			1 (2)		
Service Outlet 115V GFI (amps)		15			15			20		
Indoor Blower Motor	Horsepower	3	5	7.5	3	5	7.5	3	5	7.5
	Full Load Amps	10.6	16.7	24.2	4.8	7.6	11	3.9	6.1	9
² Maximum Overcurrent Protection	Unit Only	60	70	90	35	35	45	25	30	35
	With (2) 0.33 HP Power Exhaust	70	80	100	35	40	50	25	30	35
³ Minimum Circuit Ampacity	Unit Only	56	63	73	30	33	37	23	26	29
	With (2) 0.33 HP Power Exhaust	61	68	78	32	35	40	25	28	31

NOTE - All units have a minimum Short Circuit Current Rating (SCCR) of 5000 amps.

¹ Extremes of operating range are plus and minus 10% of line voltage.

² HACR type breaker or fuse.

³ Refer to National or Canadian Electrical Code manual to determine wire, fuse and disconnect size requirements.

17.5 TON STANDARD EFFICIENCY

KGB210S4

¹ Voltage - 60hz		208/230V - 3 Ph			460V - 3 Ph			575V - 3 Ph		
Compressor 1	Rated Load Amps	19.6			8.2			6.6		
	Locked Rotor Amps	136			66.1			55.3		
Compressor 2	Rated Load Amps	19.6			8.2			6.6		
	Locked Rotor Amps	136			66.1			55.3		
Compressor 3	Rated Load Amps	19.6			8.2			6.6		
	Locked Rotor Amps	136			66.1			55.3		
Outdoor Fan Motors (3)	Full Load Amps (total)	2.4 (7.2)			1.3 (3.9)			1 (3)		
Power Exhaust (2) 0.33 HP	Full Load Amps (total)	2.4 (4.8)			1.3 (2.6)			1 (2)		
Service Outlet 115V GFI (amps)		15			15			20		
Indoor Blower Motor	Horsepower	3	5	7.5	3	5	7.5	3	5	7.5
	Full Load Amps	10.6	16.7	24.2	4.8	7.6	11	3.9	6.1	9
² Maximum Overcurrent Protection	Unit Only	100	100	110	40	45	50	30	35	40
	With (2) 0.33 HP Power Exhaust	100	110	125	45	45	50	35	35	45
³ Minimum Circuit Ampacity	Unit Only	82	88	97	36	39	43	29	31	35
	With (2) 0.33 HP Power Exhaust	87	93	102	38	41	45	31	33	37

NOTE - All units have a minimum Short Circuit Current Rating (SCCR) of 5000 amps.

¹ Extremes of operating range are plus and minus 10% of line voltage.

² HACR type breaker or fuse.

³ Refer to National or Canadian Electrical Code manual to determine wire, fuse and disconnect size requirements.

ELECTRICAL DATA

20 TON STANDARD EFFICIENCY

KGB240S4

¹ Voltage - 60hz		208/230V - 3 Ph			460V - 3 Ph			575V - 3 Ph		
Compressor 1	Rated Load Amps	22.4			10.6			7.7		
	Locked Rotor Amps	149			75			54		
Compressor 2	Rated Load Amps	22.4			10.6			7.7		
	Locked Rotor Amps	149			75			54		
Compressor 3	Rated Load Amps	25			12.2			9		
	Locked Rotor Amps	164			100			78		
Outdoor Fan Motors (4)	Full Load Amps (total)	2.4 (9.6)			1.3 (5.2)			1 (4)		
Power Exhaust (2) 0.33 HP	Full Load Amps (total)	2.4 (4.8)			1.3 (2.6)			1 (2)		
Service Outlet 115V GFI (amps)		15			15			20		
Indoor Blower Motor	Horsepower	5	7.5	10	5	7.5	10	5	7.5	10
	Full Load Amps	16.7	24.2	30.8	7.6	11	14	6.1	9	11
² Maximum	Unit Only	125	125	125	60	60	70	45	45	50
Overcurrent Protection	With (2) 0.33 HP Power Exhaust	125	125	150	60	60	70	45	50	50
³ Minimum	Unit Only	103	110	118	50	53	57	37	40	43
Circuit Ampacity	With (2) 0.33 HP Power Exhaust	108	115	123	52	56	59	39	42	45

NOTE - All units have a minimum Short Circuit Current Rating (SCCR) of 5000 amps.

¹ Extremes of operating range are plus and minus 10% of line voltage.

² HACR type breaker or fuse.

³ Refer to National or Canadian Electrical Code manual to determine wire, fuse and disconnect size requirements.

25 TON STANDARD EFFICIENCY

KGB300S4

¹ Voltage - 60hz		208/230V - 3 Ph			460V - 3 Ph			575V - 3 Ph		
Compressor 1	Rated Load Amps	19.6			8.2			6.6		
	Locked Rotor Amps	136			66.1			55.3		
Compressor 2	Rated Load Amps	19.6			8.2			6.6		
	Locked Rotor Amps	136			66.1			55.3		
Compressor 3	Rated Load Amps	22.4			10.6			7.7		
	Locked Rotor Amps	149			75			54		
Compressor 4	Rated Load Amps	22.4			10.6			7.7		
	Locked Rotor Amps	149			75			54		
Outdoor Fan Motors (6)	Full Load Amps (total)	2.4 (14.4)			1.3 (7.8)			1 (6)		
Power Exhaust (2) 0.33 HP	Full Load Amps (total)	2.4 (4.8)			1.3 (2.6)			1 (2)		
Service Outlet 115V GFI (amps)		15			15			20		
Indoor Blower Motor	Horsepower	5	7.5	10	5	7.5	10	5	7.5	10
	Full Load Amps	16.7	24.2	30.8	7.6	11	14	6.1	9	11
² Maximum	Unit Only	125	150	150	60	70	70	50	50	50
Overcurrent Protection	With (2) 0.33 HP Power Exhaust	150	150	150	60	70	70	50	50	60
³ Minimum	Unit Only	121	129	137	56	60	63	43	46	49
Circuit Ampacity	With (2) 0.33 HP Power Exhaust	126	134	142	59	62	66	45	48	51

NOTE - All units have a minimum Short Circuit Current Rating (SCCR) of 5000 amps.

¹ Extremes of operating range are plus and minus 10% of line voltage.

² HACR type breaker or fuse.

³ Refer to National or Canadian Electrical Code manual to determine wire, fuse and disconnect size requirements.

KGB PARTS ARRANGEMENT

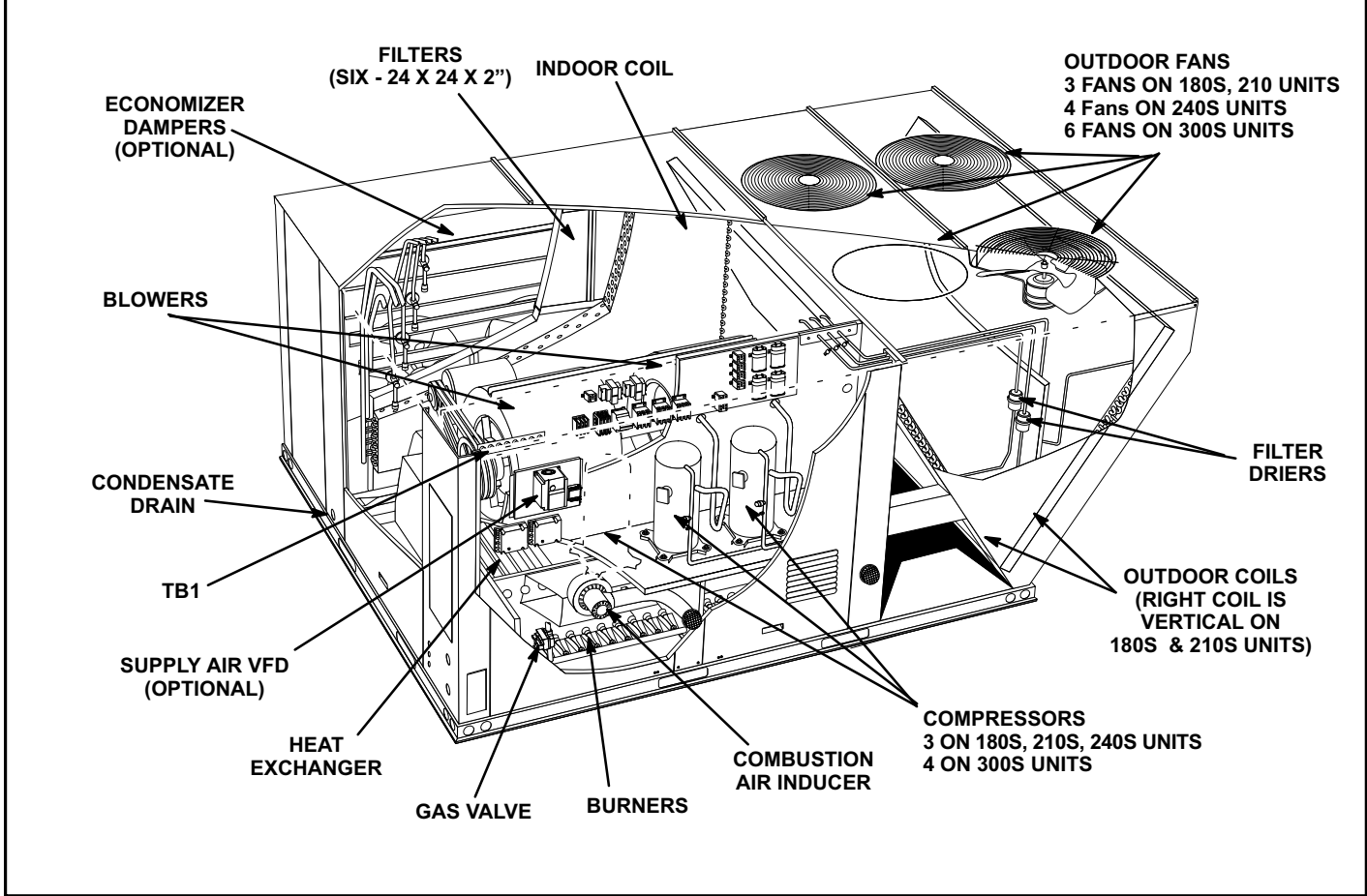


FIGURE 1

KGB CONTROL BOX

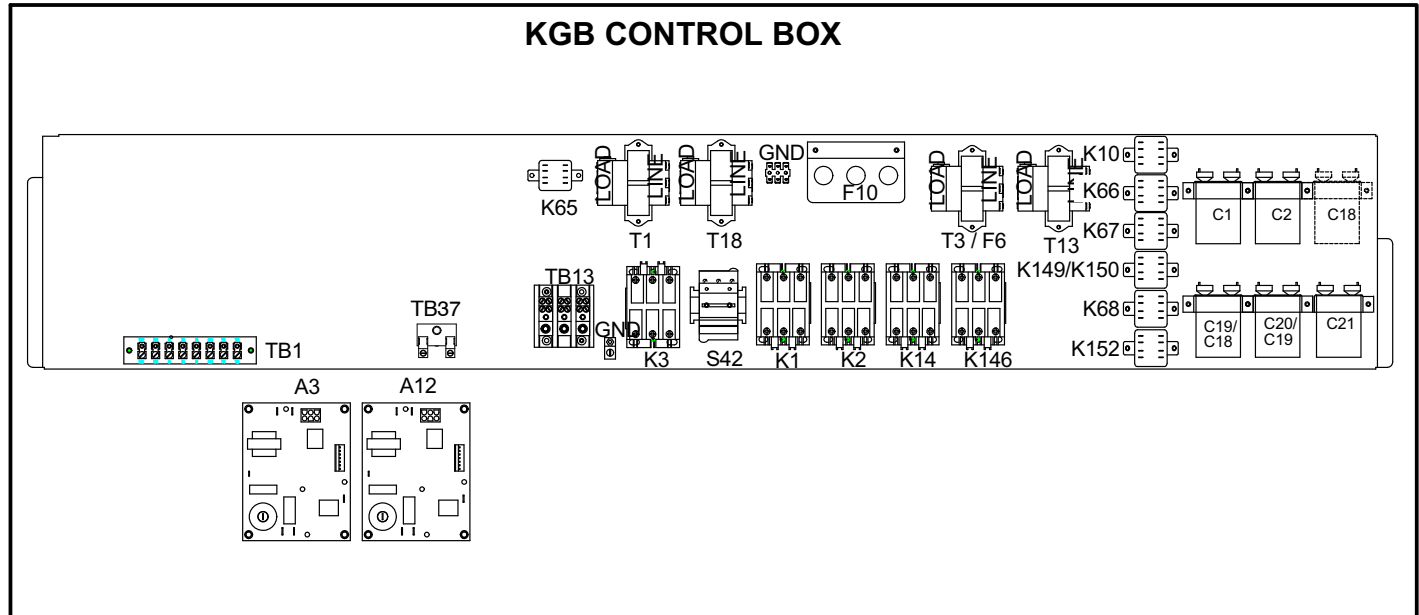


FIGURE 2

I-UNIT COMPONENTS

KGB unit components are shown in figure 1. All units come standard with removeable unit panels. All L1, L2 and L3 wiring is color coded; L1 is red, L2 is yellow and L3 is blue.

ELECTROSTATIC DISCHARGE (ESD)

Precautions and Procedures



A-Control Box Components

KGB control box components are shown in figure 2. The control box is located in the compressor compartment.

1-Disconnect Switch S48 (field installed)

All units may be equipped with an optional disconnect switch S48. S48 can be a toggle switch or a twist style switch. Both types can be used by the service technician to disconnect power to the unit.

2-Terminal Strip TB13

All units are equipped with TB13. Units without S48 will have incoming power connected to TB13.

3-Control Transformer T1

All use a single line voltage to 24VAC transformer mounted in the control box. Transformer supplies power to control circuits in the unit. The transformer is rated at 70VA and is protected by a 3.5 amp circuit breaker (CB8) which is located on the transformer itself. The 208/230

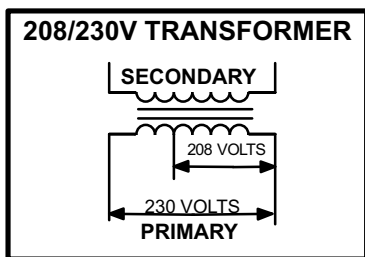


FIGURE 3

(Y) voltage transformers have two primary voltage taps, but only one may be used depending on supply voltage. See figure 3. 460 (G) and 575 (J) voltage transformers use a single primary voltage tap.

4-C. A. I. Transformers T3 & T13 575V Only

All KGB 575 (J) voltage units use transformers T3 and T13 mounted in the control box. The transformers have an output rating of 0.75A. T3 transformer supplies 230 VAC power to combustion air inducer motor B6 and T13 supplies 230 VAC to combustion air inducer motor B15.

5- Control Transformer T18

T18 is a single line voltage to 24VAC transformer used in all models. Transformer T18 is protected by a 3.5 amp circuit breaker (CB18) located on the transformer itself. T18 is identical to transformer T1. The transformer supplies 24VAC power to the contactors.

6- Terminal Strip TB1

All indoor thermostat connections will be to TB1 located on the control panel. For thermostats with “occupied “ and “un-occupied” modes, a factory-installed jumper across terminals R and OC should be removed. Unit wiring is designed for a two-stage thermostat. See table 1.

TABLE 1

TB1 TERMINAL DESIGNATIONS	
Y1	Cool Stage 1
Y2	Cool Stage 2
W1	Heat Stage 1
W2	Heat Stage 2
OC	Occupied
G	Indoor Blower
R	24V To Thermostat
C	Ground

7- Outdoor Fan Capacitors C1, C2, C18 (all units), C19 (240S only),C20, C21 (300S only)

Fan capacitors C1, C2, C18, C19, C20, C21 are 10 MFD / 370V capacitors used to assist in the start up of condenser fans B4, B5, B21, B22 (240S only), B23, B24 (300S only) respectively.

8- Outdoor Fan Relay K10, K68, K149, K150, K152

Outdoor fan relays are DPDT relays with a 24VAC coil. See table 2 to determine which fan each relay energizes.

TABLE 2

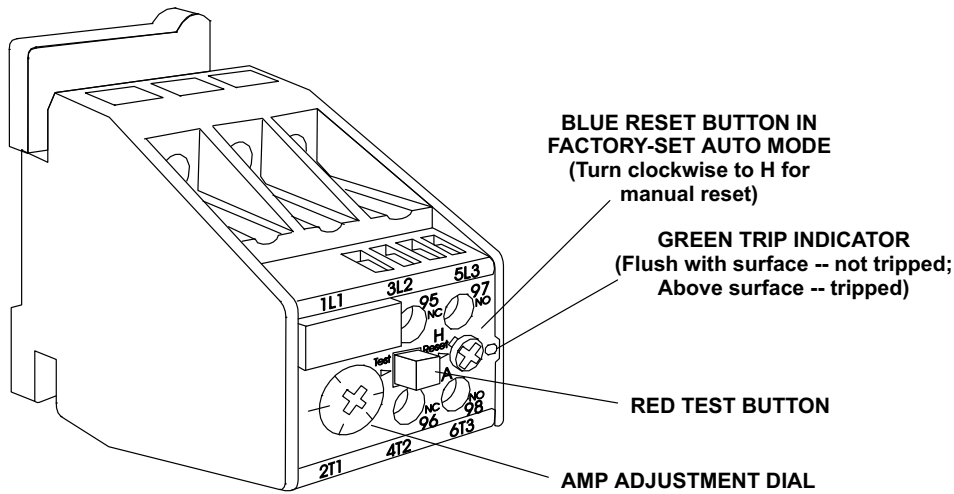
KGB Unit	Relay	Fan Energized
180S, 210S	K10	B4
	K68*	B5, B21
240S	K10	B4, B5
	K149*	B21, B22
300S	K10	B4
	K68	B5, B21
	K150	B22
	K152*	B23, B24

*Not all units will be equipped with K68, K149 or K152

9-Fuses F10 and F6 (240 & 300 Y volt only)

Three F10 line voltage fuses provide overcurrent protection to condenser fans and are rated at 30A. Two F6 line voltage fuses provide overcurrent protection for optional field installed power exhaust fans (Y volt 240S 300S units) and are rated at 30A.

SIEMENS OVERLOAD RELAY



Adjust relay amp setting according to value given on the blower motor nameplate. Proper relay amp setting equals motor nameplate FLA X service factor of 1.15 X .95.
Use small slotted screwdriver to adjust control mode from automatic reset (A) to manual reset (H). Control must be in the manual reset mode (H) to perform a test. Press the red test button. Green trip indicator should pop out. Press the blue reset screw to reset the relay.

FIGURE 4

10-Compressor Contactor K1, K2, K14 (180S, 210S, 240S units) K146 (300S units only)

All compressor contactors are three-pole-double-break contactors with 24VAC coils. K1, K2, K14 and K146 energize compressors B1, B2, B13 and B20 respectively, in response to thermostat demand.

11-Blower Contactor K3

Blower contactor K3, used in all units, is a three-pole-double-break contactor with a 24VAC coil used to energize the indoor blower motor B3 in response to blower demand. K3 is energized from terminal G on TB1.

12-Blower Motor Overload Relay S42

S42 is a manual reset overload relay, used in all M voltage units and in units with a 10 HP blower motor. The relay is connected in line with the blower motor to monitor the current flow to the motor. When the relay senses an overload condition, a set of normally closed contacts opens de-energizing the 24 volt output of T1. See figure 4.

13-Power Exhaust Relay K65 (PED units)

Power exhaust relay K65 is a DPDT relay with a 24VAC coil. K65 is used in units equipped with the field installed optional power exhaust dampers. K65 is energized by the economizer enthalpy control A6, after the economizer dampers reach 50% open (adjustable) When K65 closes, exhaust fans B10 and B11 are energized.

14-Cooling Stage Pilot Relays K66 and K67

Cooling stage pilot relays are DPDT relays with a 24VAC coil. These relays prevent voltage drop caused by long thermostat wiring when the thermostat is used to energize compressor contactors directly. K66 is energized by a Y1

thermostat call. N.O. contact K66-1 will close allowing 24VAC from T1 transformer to energize stage 1 compressor contactors. *Some not all units will be equipped with relay K67.* K67 is energized by a Y2 thermostat call. N.O. contacts K67-1 will close allowing 24VAC from T18 transformer to energize stage 2 compressor contactor(s). Units without K67; Y2 demand will energize compressor contactor K14 allowing second stage cool.

15-Ignition Control A3 & A12 (figure 5)

⚠ WARNING	
	Shock hazard. Spark related components contain high voltage which can cause personal injury or death. Disconnect power before servicing. Control is not field repairable. Unsafe operation will result. If control is inoperable, simply replace the entire control.

The main control box (see figure 2) houses ignition controls A3 and A12.

The ignition control provides four main functions: gas valve control, blower control, ignition and flame sensing. The control has a green LED to show control status (table 3). The unit will usually ignite on the first attempt and allows three attempts for ignition before locking out. The lockout time is 1 hour. After lockout time expires the ignition control automatically resets and begins the ignition sequence again. Manual reset after lockout requires removing power from the control for more than 1 second or removing the thermostat call for heat for more than 1 second but no more than 20 seconds. 24 volt ther-

mostat connections (P2) and heating component connections (J1) are made through separate jackplugs. See table 4 for thermostat terminations and table 5 for heating component terminations.

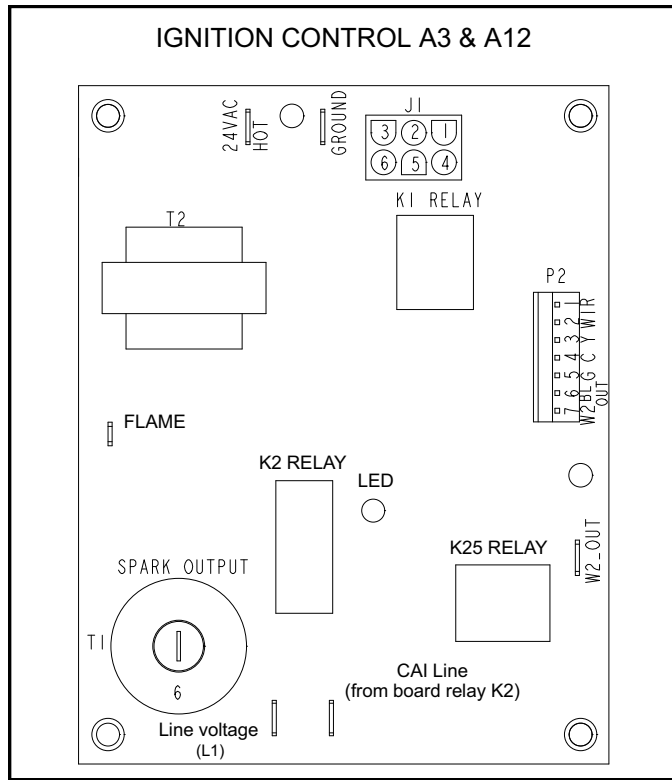


FIGURE 5

**TABLE 3
IGNITION CONTROL HEARTBEAT LED STATUS**

LED Flashes	Indicates
Slow	Normal operation. No call for heat.
Fast	Normal operation. Call for heat.
Steady Off	Internal control fault OR no power to control OR Gas Valve Relay Fault.
Steady On	Control internal failure.
2	Lockout. Failed to detect or sustain flame.
3	Prove switch open or closed or rollout switch open.
4	Limit switch is open and/or limit has opened three times.
5	Flame sensed but gas valve solenoid not energized.

TABLE 4

P2 TERMINAL DESIGNATIONS	
Pin #	Function
1	R 24 Volts to thermostat
2	W1 Heat Demand
3	Y Cool Demand
4	C Common
5	G Indoor Blower
6	BL OUT Indoor Blower Relay
7	W2 Second Stage Heat

TABLE 5

J1 TERMINAL DESIGNATIONS	
Pin #	Function
1	Limit Switch Out
2	Rollout Switch / Prove Switch Out
3	Gas Valve Common
4	Gas Valve Out
5	Rollout Switch / Prove Switch In
6	Limit Switch In

Flame sensing is used on all KGB units. Loss of flame during a heating cycle is indicated by an absence of flame signal (0 microamps). If this happens, the control will immediately restart the ignition sequence and then lock out for one hour if ignition is not gained after the third trial. See System Service Checks section for flame current measurement.

The control shuts off gas flow immediately in the event of a power failure. Upon restoration of gas and power, the control will restart the ignition sequence and continue until flame is established or system lockout (one hour) after which time the control resets and the process begins again.

Operation

On a heating demand, the ignition control checks the limit switch (closed) and combustion air prove switch (open). Once this check is complete and conditions are correct, the ignition control energizes the CAI allowing 30 seconds for the combustion air inducer to vent exhaust gases from the burners. When the combustion air inducer is purging the exhaust gases, the combustion air prove switch closes proving that the combustion air inducer is operating. When the combustion air prove switch is closed and the delay is over, the ignition control activates the gas valve, the spark electrode and the flame sensing electrode. Once the gas valve is energized the non-adjustable 40 second indoor blower delay period begins. Sparking stops immediately after flame is sensed or at the end of the 8 second trial for ignition.

The control then proceeds to “steady state” mode where all inputs are monitored to ensure the limit switch, rollout switch and prove switch are closed as well as flame is present. When the heat call is satisfied and the gas valve is de-energized, a combustion air inducer post purge period of 5 seconds begins along with a 120 second blower off delay.

16-Variable Frequency Drive A96 (optional)

MSAV® units are equipped with a VFD which alters the supply power frequency and voltage to the blower motor. Blower speed is staged depending on the compressor stages, heating demand, or ventilation demand. The amount of airflow for each stage is preset from the factory. Full speed airflow can be adjusted by changing the variable sheave on the blower motor. Part load cooling speed is 2/3 of full speed. The VFD is located below the upper control panel.

17-Inverter Default Relay K232 (optional)

Relay is used in optional MSAV units and is a two-pole, double-throw relay with a 24VAC coil. K232 is energized through the A96 VFD B-C normally closed contact. If the VFD fails, the B-C contact will open and de-energize the K232 coil and cut the 24VAC power to the thermostat and the whole unit. K232 is located beside A96.

18-Phase Monitor A42 (Optional)

Phase monitor detects the phasing of incoming power. If the incoming power is out of phase or if any of the three phases are lost, an indicator LED on the phase monitor will turn red and the unit will not start. In normal operation with correct incoming power phasing, the LED will be green. A42 is located beside A96.

19-VFD Control Board A183 (Optional)

VFD control board A183 is a solid-state control board powered with 24VDC from the variable frequency drive A96. This option is used on MSAV units. A183 gets signals from the thermostat, ignition control and economizer modules to determine blower speeds and damper minimum positions. For more information on the A183, refer to the MSAV Start Up section. A183 is located on the left side of the control area.

B-Cooling Components

All units use independent cooling circuits consisting of separate compressors, condenser coils and evaporator coils. See figures 6, 7, and 8. Draw-through type condenser fans are used in all units. All units are equipped with belt-drive blowers which draw air across the evaporator during unit operation.

Cooling may be supplemented by an optional factory- or field-installed economizer. The evaporators are slab type and are stacked. Each evaporator is equipped with enhanced fins and rifled tubing. In all units each compressor is protected by a freestat (on each evaporator) and a high pressure switch (on each discharge line). Optional field installed low ambient switches are available for additional compressor protection.

1-Compressors B1, B2, B13 (all units) & B20 (300S only)

All units use scroll compressors. KGB180S, 210S and 240S use three compressors and KGB300S units use four compressors. All compressors are equipped with independent cooling circuits. Compressor capacity may vary from stage to stage. In all cases, the capacity of each compressor is added to reach the total capacity of the unit. See "SPECIFICATIONS" and "ELECTRICAL DATA" (table of contents) or compressor nameplate for compressor specifications.

WARNING

Electrical shock hazard. Compressor must be grounded. Do not operate without protective cover over terminals. Disconnect power before removing protective cover. Discharge capacitors before servicing unit. Failure to follow these precautions could cause electrical shock resulting in injury or death.

Each compressor is energized by a corresponding compressor contactor.

NOTE - Refer to the wiring diagram section for specific unit operation.

2-High Pressure Switches S4, S7, S28 (all units), S96 (300S units)

The high pressure switch is an automatic reset N.C switch which opens on a pressure rise.

S4 (first circuit), S7 (second circuit), S28 (third circuit) and S96 (fourth circuit) are wired in series with the respective compressor contactor coils.

When discharge pressure rises to 640 ± 20 psig (4413 ± 138 kPa) (indicating a problem in the system) the switch opens and the respective compressor is de-energized (the economizer can continue to operate). The switch will reset when discharge pressure drops below 475 ± 20 psig (3275 ± 138 kPa) and the respective compressor will restart.

3-Low Ambient Switches (optional) S11, S84, S85 (all units) & S94 (300S)

S84 and S85 will not be equipped with on all 180S, 210S, 240S and 300S units. Later production units will not be equipped with these switches.

The low ambient switch is an optional field-installed auto-reset N.O. pressure switch which allows mechanical cooling operation at low outdoor temperatures. The switch is located in each liquid line prior to the indoor coil.

180S & 210S Units -

S11, S84 and S85 are wired in series with outdoor fan relay K10 and K68 coils. All three low ambient switches; S11, S84 and S85 have to be open to de-energize condenser fans (all three fans will be de-energized at the same time). Any one low ambient switch, S11, S84, or S85 closing will return all three condenser fans to operation..

240S Units -

S11 is wired in series with outdoor fan relay K10 coil. When S11 opens, condenser fans 1 and 2 are de-energized. When S11 closes, both condenser fans 1 and 2 will return to operation. S84 and S85 are wired in series with outdoor fan relay coil K149. Both S84 and S85 have to be open to de-energize condenser fans 3 and 4. Either S84 or S85 closing will return condenser fans 3 and 4 to operation.

300S Units -

S11 and S84 are wired in series with outdoor fan relay K10 and K68 coils. Both S11 and S84 have to be open to de-energize condenser fans 1, 2 and 3. Either S11 or S84 closing will return condenser fans 1, 2 and 3 to operation. S85 and S94 are wired in series with outdoor fan relay K150 and K152 coils. Both S85 and S94 have to be open to de-energize condenser fans 4, 5 and 6. Either S85 or S94 closing will return condenser fans 4, 5 and 6 to operation.

All Units -

When liquid pressure rises to 450 ± 10 psig (3103 ± 69 kPa), pressure switches close, energizing the appropriate condenser fans. When liquid pressure drops to 240 ± 10 psig (1655 ± 69 kPa), pressure switches open, de-energizing the appropriate condenser fans. Intermittent fan operation results in higher evaporating temperature allowing the system to operate without icing the evaporator coil and losing capacity.

4-Filter Drier (all units)

KGB units have a filter drier located in the liquid line of each refrigerant circuit at the exit of each condenser coil. The drier removes contaminants and moisture from the system.

5-Freezestats S49, S50, S53 (all units) S95 (300S units only)

Each unit is equipped with a low temperature switch located on a return bend of each evaporator coil. S49 (first circuit), S50 (second circuit), S53 (third circuit) and S95 (fourth circuit) are located on the corresponding evaporator coils.

Each freezestat is wired in series with the corresponding compressor contactor. Each freezestat is an auto-reset switch which opens at $29^{\circ}\text{F} \pm 3^{\circ}\text{F}$ ($-1.7^{\circ}\text{C} \pm 1.7^{\circ}\text{C}$) on a temperature drop and closes at $58^{\circ}\text{F} \pm 4^{\circ}\text{F}$ ($14.4^{\circ}\text{C} \pm 2.2^{\circ}\text{C}$) on a temperature rise. To prevent coil icing, Freezestats open during compressor operation to temporarily disable the respective compressor until the coil temperature rises.

6-Condenser Fans B4, B5, B21 (all units), B22 (240S & 300S only) B23, B24 (300S only)

See SPECIFICATIONS tables at the front of this manual for specifications of condenser fans used in all units. All condenser fans used have single-phase motors. The fan assembly may be removed for servicing and cleaning.

**KGB180S, 210S
PLUMBING, COMPRESSOR AND REFRIGERANT CIRCUITS DETAIL**

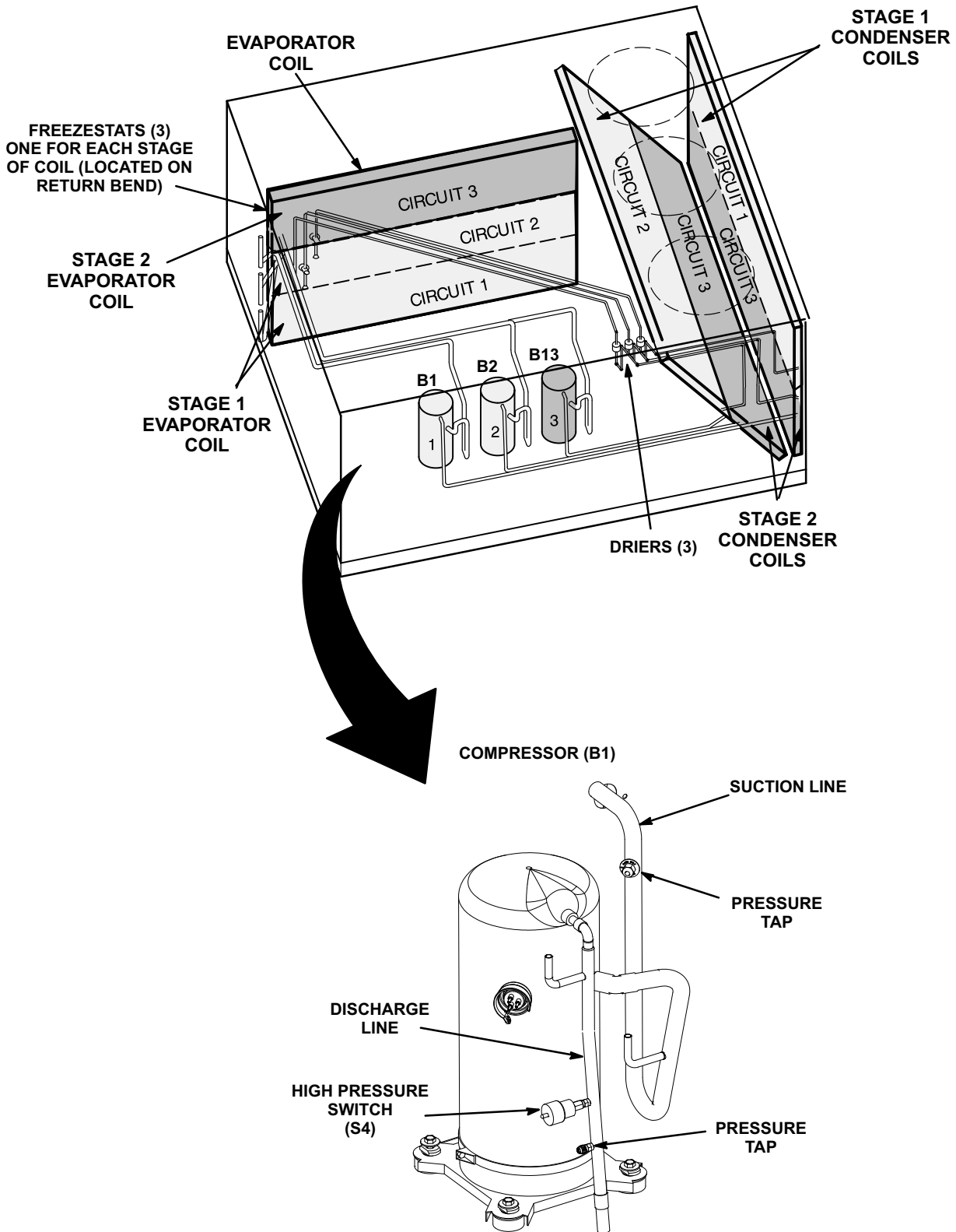


FIGURE 6

**KGB240S
PLUMBING, COMPRESSOR AND REFRIGERANT CIRCUITS DETAIL**

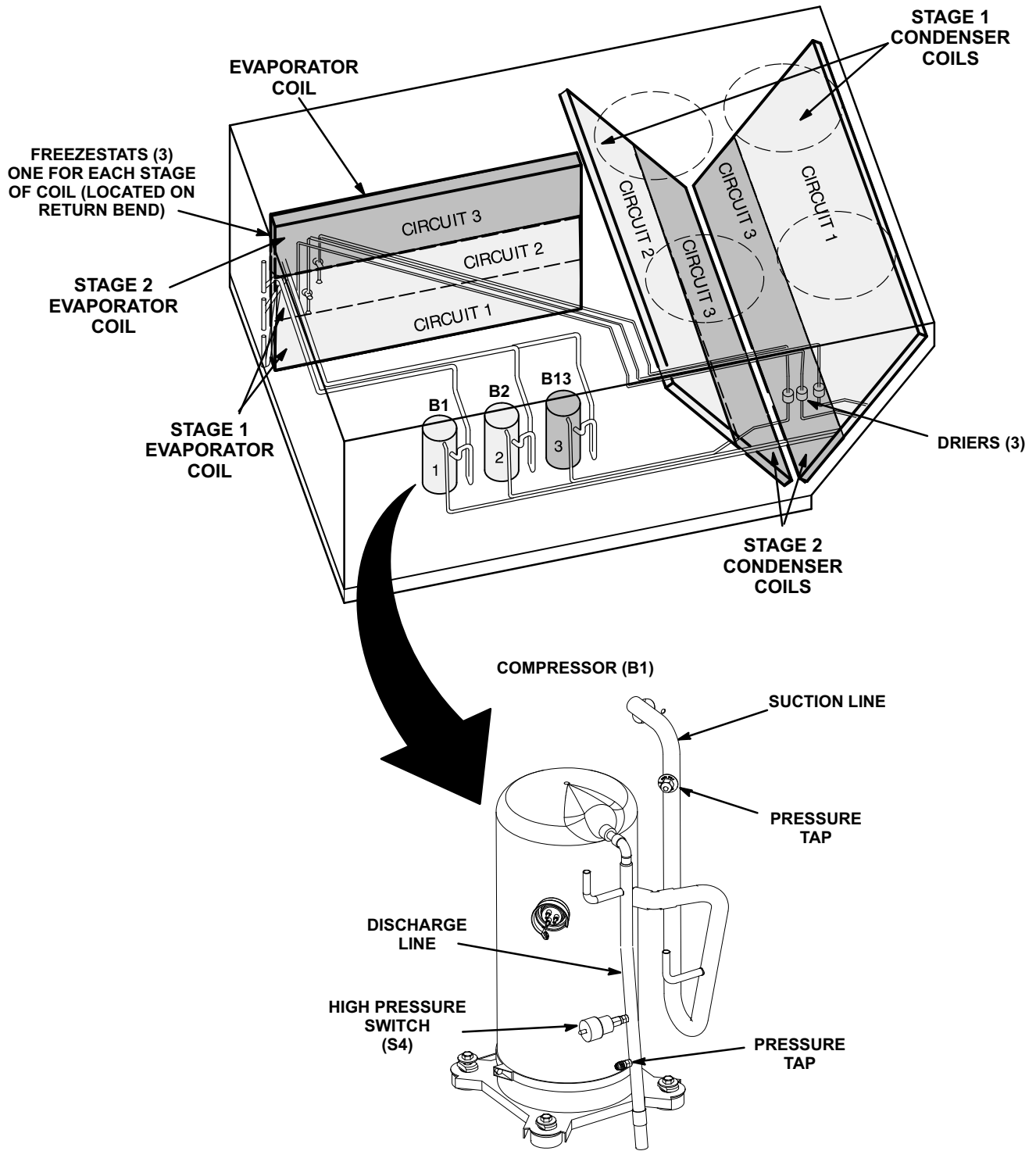


FIGURE 7

**KGB300S
PLUMBING, COMPRESSOR AND REFRIGERANT CIRCUITS DETAIL**

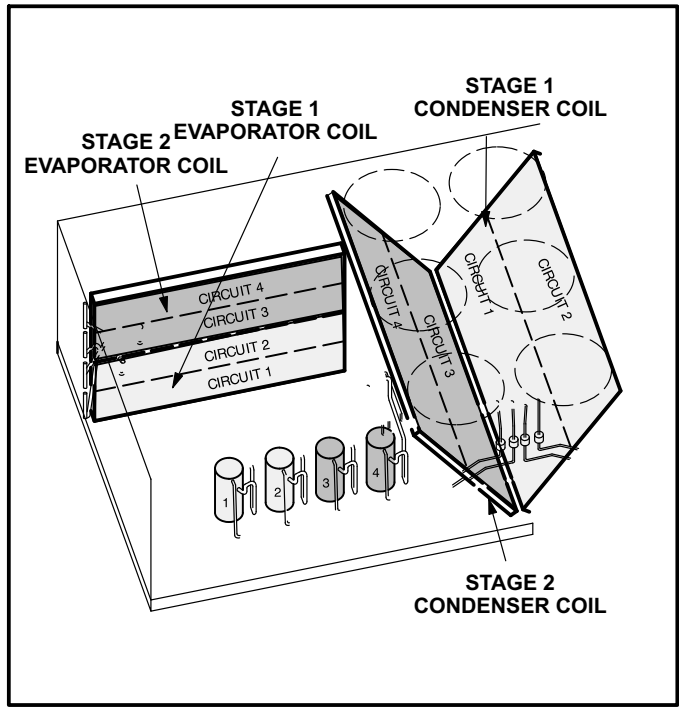
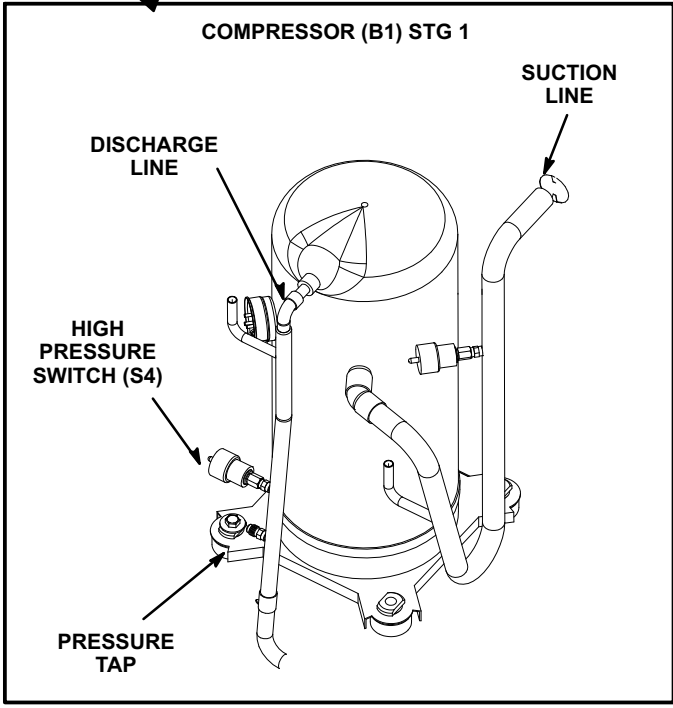
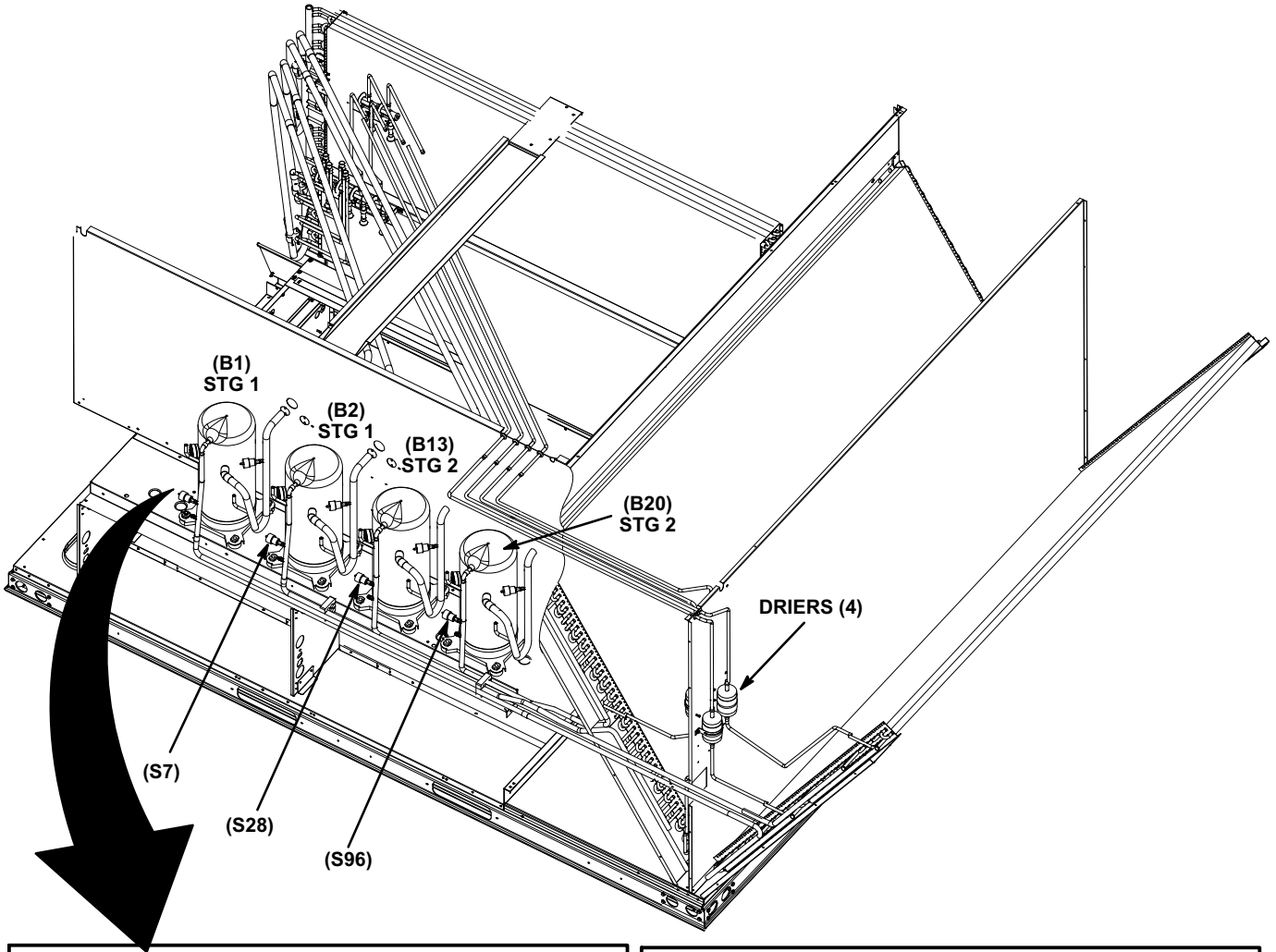


FIGURE 8

C-Blower Compartment

The blower compartment in KGB180S-300S units is located between the evaporator coil and the compressor / control section on the opposite side of the condenser coil. The blower assembly is accessed by removing the screws on either side of the sliding base. The base pulls out as shown in figure 9.

1-Blower Wheels

All KGB180S-300S units have two 15 in. x 15 in. (381 mm x 381 mm) blower wheels. Both wheels are driven by one motor mounted on a single shaft. Shaft bearings are equipped with grease ports for service.

2-Indoor Blower Motor B3

All units use three-phase single-speed blower motors. CFM adjustments are made by adjusting the motor pulley (sheave). Motors are equipped with sealed ball bearings. All motor specifications are listed in the SPECIFICATIONS (table of contents) in the front of this manual. Units may be equipped with motors manufactured by various manufacturers, therefore electrical FLA and LRA specifications will vary. See unit rating plate for information specific to your unit.

OPERATION / ADJUSTMENT

Three Phase Scroll Compressor Voltage Phasing

Three phase scroll compressors must be phased sequen-

tially to ensure correct compressor and blower rotation and operation. Compressor and blower are wired in phase at the factory. Power wires are color-coded as follows: line 1-red, line 2-yellow, line 3-blue.

1- Observe suction and discharge pressures and blower rotation on unit start-up.

2- Suction pressure must drop, discharge pressure must rise, and blower rotation must match rotation marking.

If pressure differential is not observed or blower rotation is not correct:

3- Disconnect all remote electrical power supplies.

4- Reverse any two field-installed wires connected to the line side of TB2. Do not reverse wires at blower contactor.

5- Make sure the connections are tight.

Discharge and suction pressures should operate at their normal start-up ranges.

MSAV Units - All MSAV units are equipped with a phase monitor located in the control compartment. The phase monitor will detect the phasing of incoming power. If the incoming power is out of phase or if any of the three phases are lost, the indicating LED on the phase monitor will turn red and the unit will not start. In normal operation with correct incoming power phasing, the LED will be green.

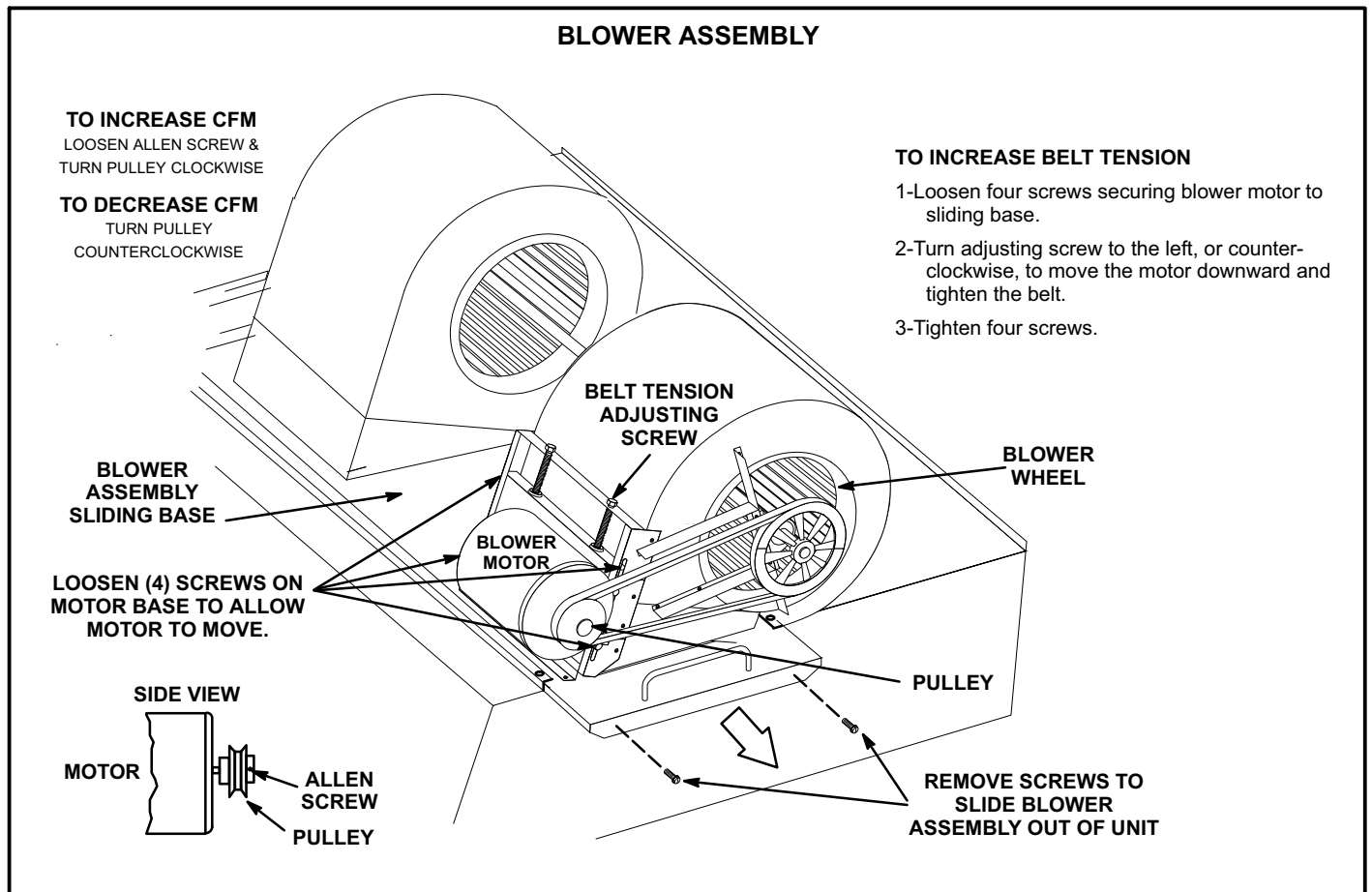


FIGURE 9

Blower Operation

Initiate blower demand at thermostat according to instructions provided with thermostat. Unit will cycle on thermostat demand. The following steps apply to applications using a typical electro-mechanical thermostat.

- 1- Blower operation is manually set at the thermostat sub-base fan switch. With fan switch in **ON** position, blowers will operate continuously.
- 2- With fan switch in **AUTO** position, the blowers will cycle with demand. Blowers and entire unit will be off when system switch is in **OFF** position.

Blower Access

The blower assembly is secured to a sliding base which allows the entire assembly to be pulled out of the unit. See figure 9.

- 1- Remove the clamp which secures the blower wiring to the blower motor base.
- 2- Remove and retain screws on either side of sliding base. Pull base toward outside of unit. When pulling the base out further than 12" (305mm), disconnect wiring to K3 blower contactor T1, T2 and T3. Pull wiring toward blower to allow enough slack to slide the base out further.
- 3- Slide base back into original position when finished servicing. Replace the clamp and blower wiring in the previous location on the blower motor base. Reconnect wiring to K3 if it was disconnected.
- 4- Replace retained screws on either side of the sliding base.

Determining Unit Air Volume

IMPORTANT - MSAV units are factory-set to run the blower at full speed when there is a blower (G) demand without a heating or cooling demand. Use the following procedure to adjust motor pulley to deliver the full load cooling or heating CFM. See MSAV Start-Up section to set blower CFM for all modes once the motor pulley is set.

- 1- The following measurements must be made with a dry indoor coil. Run blower without cooling demand. Air filters must be in place when measurements are taken.
- 2- With all access panels in place, measure static pressure external to unit (from supply to return). Blower performance data is based on static pressure readings taken in locations shown in figure 10.

NOTE - Static pressure readings can vary if not taken where shown.

- 3- Measure the indoor blower wheel RPM.
- 4- Refer to blower tables in BLOWER DATA (table of contents) in the front of this manual. Use static pressure and RPM readings to determine unit air volume.
- 5- The RPM can be adjusted at the motor pulley. Loosen Allen screw and turn adjustable pulley clockwise to increase RPM. Turn counterclockwise to decrease RPM. See figure 9.

Blower Belt Adjustment

Maximum life and wear can be obtained from belts only if proper pulley alignment and belt tension are maintained. Tension new belts after a 24-48 hour period of operation. This will allow belt to stretch and seat grooves. Make sure blower and motor pulley are aligned as shown in figure 11.

- 1- Loosen four bolts securing motor base to mounting frame. See figure 9.
- 2- *To relieve belt tension* - Turn adjusting bolt to the right, or clockwise, to move the motor upward and loosen the belt. This decreases the distance between the blower motor pulley and the blower housing pulley.

To increase belt tension -

Turn the adjusting bolt to the left, or counterclockwise to increase belt tension. This increases the distance between motor pulley and blower housing pulley (motor moves downward and tightens belt).

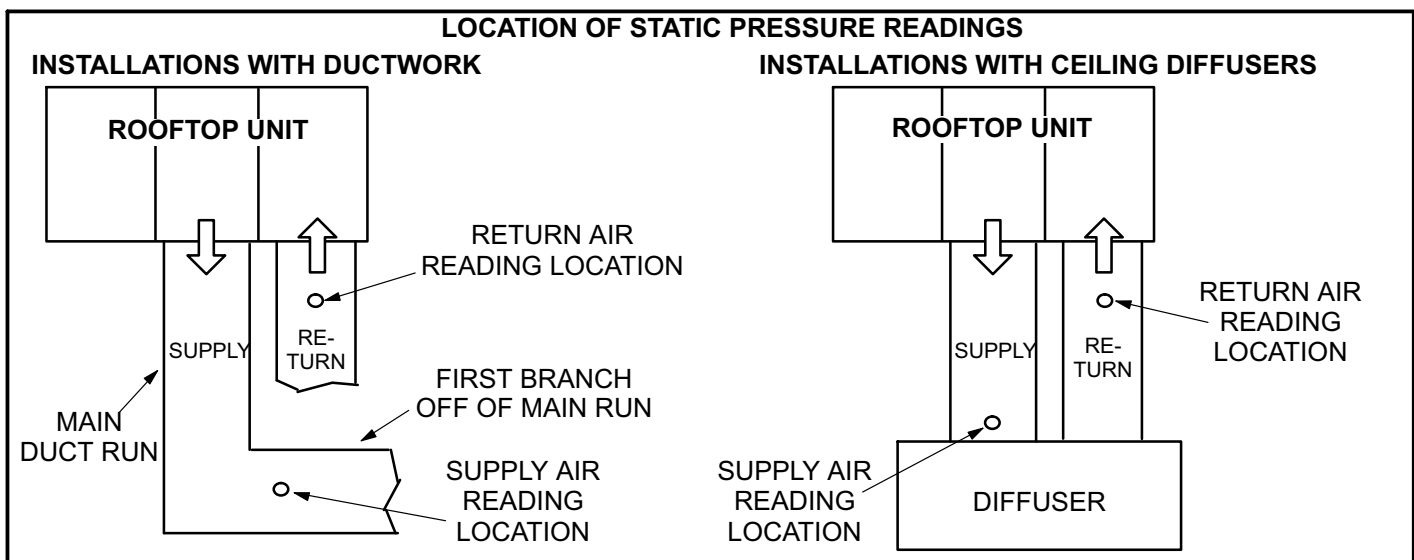


FIGURE 10

3- Tighten four bolts securing motor base to mounting frame.

IMPORTANT - Align top edges of blower motor base and mounting frame base parallel before tightening bolts on the both sides of base. Motor shaft and blower shaft must be parallel.

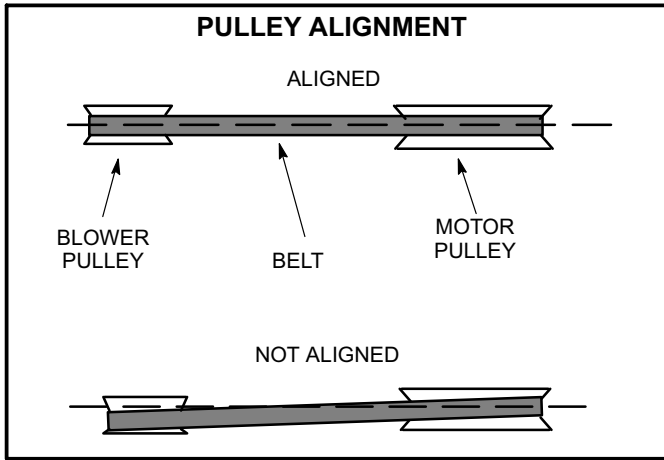


FIGURE 11

Field-Furnished Blower Drives

For field-furnished blower drives, use blower tables in the front of this manual to determine BHP and RPM required and to determine the drive number. Table 6 shows the drive component manufacturer's model number.

Check Belt Tension

Overtensioning belts shortens belt and bearing life. Check belt tension as follows:

1- Measure span length X. See figure 12.

2- Apply perpendicular force to center of span (X) with enough pressure to deflect belt 1/64" for every inch of span length or 1.5mm per 100mm of span length.

Example: Deflection distance of a 40" span would be 40/64" or 5/8".

Example: Deflection distance of a 400mm span would be 6mm.

3- Measure belt deflection force. For a used belt, the deflection force should be 5 lbs. (35kPa). A new belt deflection force should be 7 lbs. (48kPa).

A force below these values indicates an undertensioned belt. A force above these values indicates an overtensioned belt.

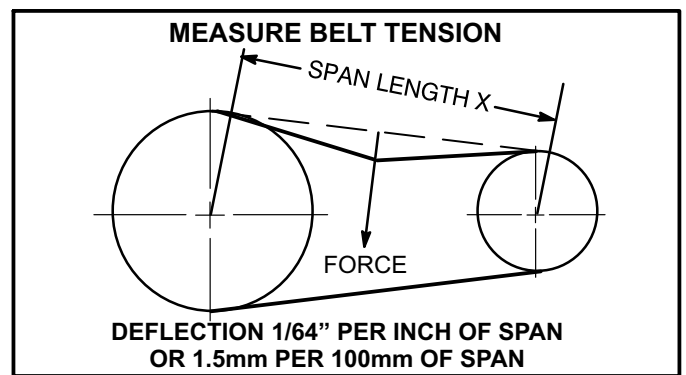


FIGURE 12

**TABLE 6
MANUFACTURER'S NUMBERS**

Drive No.	H.P.	DRIVE COMPONENTS									
		RPM		ADJUSTABLE SHEAVE		FIXED SHEAVE		BELTS		SPLIT BUSHING	
		Min	Max	Supplier No.	OEM Part No.	Supplier No.	OEM Part No.	Supplier No.	OEM Part No.	Supplier No.	OEM Part No.
1	2, 3	535	725	1VP40x7/8	79J0301	BK95X1-7/16	80K1601	BX59	59A5001	N/A	N/A
2	2, 3	710	965	1VP40x7/8	79J0301	BK72x1-7/16	100244-13	BX55	63K0501	N/A	N/A
3	5	685	865	1VP50x1-1/8	P-8-1977	BK100x1-7/16	39L1301	BX61	93J9801	N/A	N/A
4	5	850	1045	1VP65x1-1/8	100239-03	BK110H	100788-06	BX65	100245-08	H-1-7/16	49M6201
5	5	945	1185	1VP60x1-1/8	41C1301	BK90H	100788-04	BX61	93J9801	H-1-7/16	49M6201
6	7.5	850	1045	1VP65x1-3/8	78M7101	BK110H	100788-06	BX66	97J5901	H-1-7/16	49M6201
7	7.5, 10	945	1185	1VP60x1-3/8	78L5501	BK90H	100788-04	BX63	97J5501	H-1-7/16	49M6201
8	7.5	1045	1285	1VP65x1-3/8	78M7101	BK90H	100788-04	BX64	97J5801	H-1-7/16	49M6201
10	10	1045	1285	1VP65x1-3/8	78M7101	1B5V86	78M8301	5VX670	100245-21	B-1-7/16	100246-01
11	10	1135	1365	1VP65x1-3/8	78M7101	1B5V80	100240-05	5VX660	100245-20	B-1-7/16	100246-01

D-GAS HEAT COMPONENTS

See SPECIFICATIONS tables or unit nameplate for Btuh capacities. Units are equipped with two identical gas heat sections (gas heat section one and gas heat section two).

Heat sections consists of heat exchanger and burner box assembly. See figures 13 and 14. Flexible pipe will feed supply gas to both sections. If for service the flexible connection must be broken, hand tighten then turn additional 1/4" with a wrench for metal to metal seal (do not overtighten).

NOTE - Do not use thread sealing compound on flex pipe flare connections.

1-Heat Exchanger (Figure 13)

The KGB units use aluminized steel inshot burners with matching tubular aluminized steel heat exchangers and two-stage redundant gas valves. Units use two six tube/burners for standard heat, two nine tube/burners for medium heat and two eleven tube/burners for high heat. Burners in all units use a burner venturi to mix gas and air for proper combustion. Combustion takes place at each tube entrance. As hot combustion gases are drawn upward through each tube by the combustion air inducer, exhaust gases are drawn out the top and fresh air/gas mixture is drawn in at the bottom. Heat is transferred to the air stream from all surfaces of the heat exchanger tubes. The supply air blowers force air across all surfaces of the tubes to extract the heat of combustion. The shape of the tubes ensures maximum heat exchange.

The gas valves accomplish staging by allowing more or less gas to the burners as called for by heating demand.

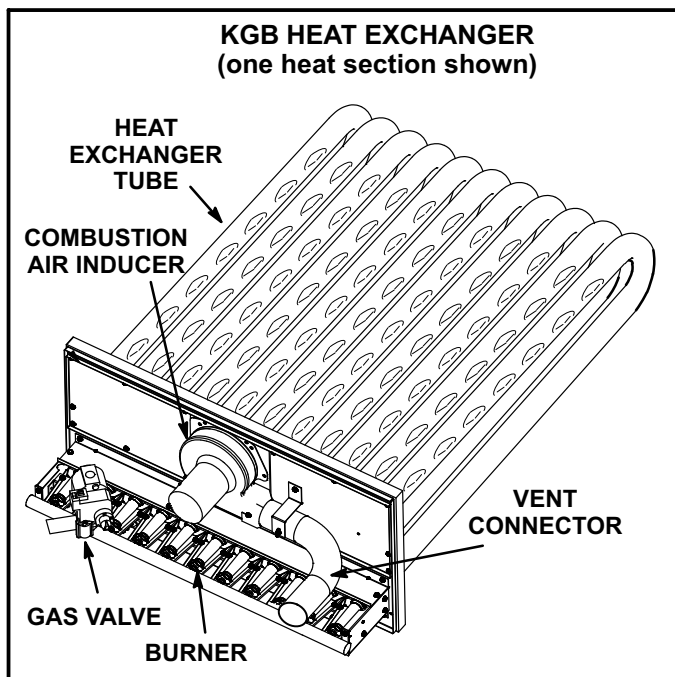


FIGURE 13

2-Burner Box Assembly (Figure 14)

Each heat section is equipped with a burner box assembly. The burner assembly consists of a spark electrode, flame sensing electrode and gas valve. Each assembly is controlled by the heat sections ignition control board (A3 section one and A12 section two)

Burners

All units use inshot burners (see figure 14). Burners are factory set and do not require adjustment. A peep hole with cover is furnished in the heating access panel for flame viewing. Always operate the unit with the access panel in place.

Burners can be removed individually for service. Burner maintenance and service is detailed in the SERVICE CHECKS section of this manual.

Orifice

Each burner uses an orifice which is precisely matched to the burner input. The orifice is threaded into the burner manifold. The burner is supported by the orifice and will easily slide off for service.

NOTE - Do not use thread sealing compound on the orifices. Using thread sealing compound may plug the orifices.

Each orifice and burner are sized specifically to the unit. Refer to Product Zone @ www.davenet.com for correct sizing information.

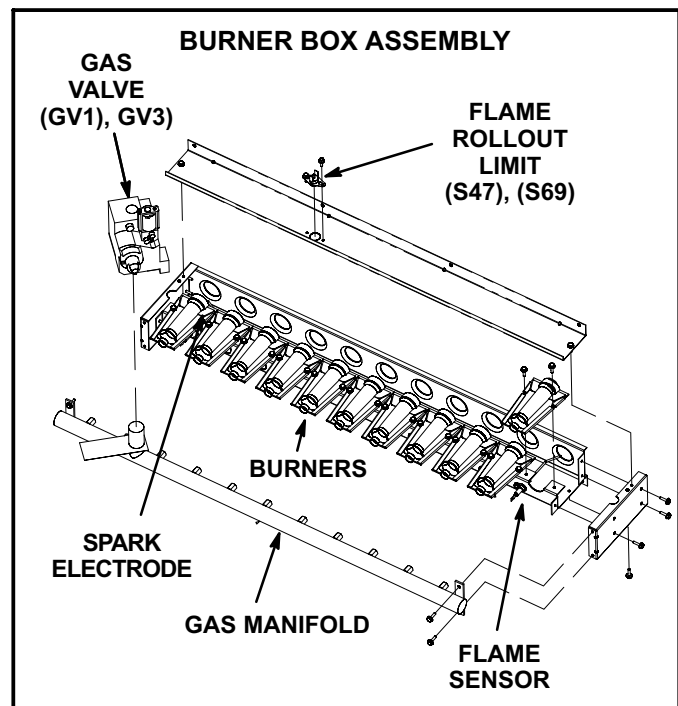


FIGURE 14

3-Flame Rollout Limits S47 & S69

Flame rollout limit S47 (first heat section) and S69 (second heat section), are SPST N.C. high temperature limits located just above the burner air intake opening in the burner enclosures (see figure 14). S47 is wired to the ignition control A3 while S69 is wired to ignition control A12. When S47 or S69 senses flame rollout (indicating a blockage in the combustion air passages), the ignition control immediately closes the gas valve.

Limit S47 and S69 are factory preset to open at $290^{\circ}\text{F} \pm 12^{\circ}\text{F}$ ($143^{\circ}\text{C} \pm 6.7^{\circ}\text{C}$) on a temperature rise in all units. All flame rollout limits are manual reset.

4-Primary High Temperature Limits S10 & S99

S10 is the primary high temperature limit for heat section one, while S99 is the primary high temperature limit for heat section two.

S10 and S99 are located on the drip shield behind the blower housing. In this location S10 and S99 also serve as secondary limits. See figure 15.

Primary limit S10 is wired to the ignition control A3, while primary limit S99 is wired to ignition control A12. Its N.C. contacts open to de-energize the ignition control when excessive temperature is reached in the blower compartment. If either limit trips the blower relay K3 and combustion air inducer will energized. Limit settings are factory set and cannot be adjusted. If limit must be replaced same type and set point must be used.

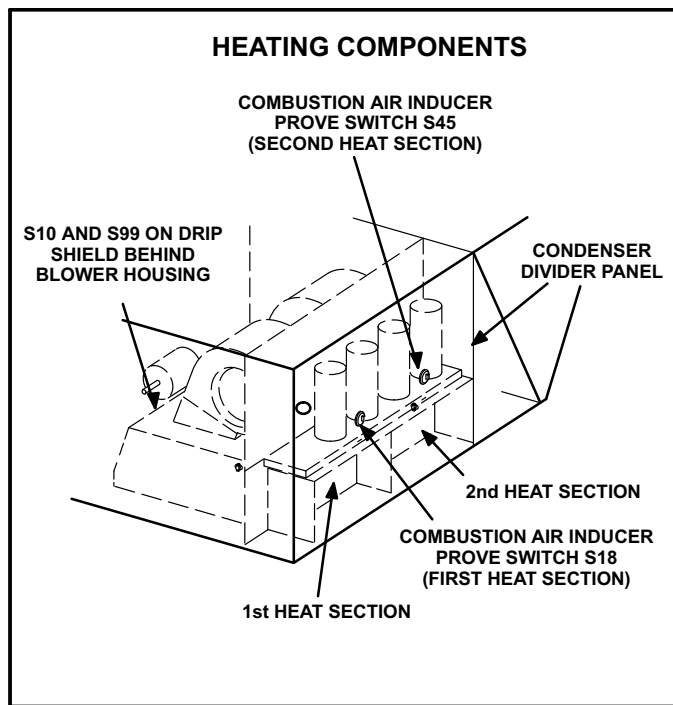


FIGURE 15

5-Combustion Air Prove Switches S18 & S45

S18 (first heat section) and S45 (second heat section) switches are located in the compressor compartment. Both are SPST N.O. switches, are identical and monitor combustion air inducer operation. Switch S18 is wired to ignition control A3 while S45 is wired to ignition control A12.

The switch closes on a *negative* pressure fall. This negative pressure fall and switch actuation allows the ignition sequence to continue (proves, by closing, that the combustion air inducer is operating before allowing the gas valve to open.) The combustion air prove switch is factory set and not adjustable. The switch will automatically open on a pressure rise (less negative pressure). Table 7 shows prove switch settings.

TABLE 7
S18 & S45 Prove Switch Settings

Close" wc (Pa)	Open " wc (Pa)
0.25 ± 5 (62.3 \pm 12.4)	0.10 ± 5 (24.8 \pm 12.4)

6-Combustion Air Inducers B6 & B15

Combustion air inducers B6 (first heat section) and B15 (second heat section), are identical inducers which provide fresh air to the corresponding burners while clearing the combustion chamber of exhaust gases. The inducers begin operating once the safety switch check (closed limits and open CAI prove switches) is complete upon receiving a thermostat demand, and are de-energized immediately following a 5 second post-purge when thermostat demand is satisfied.

Both combustion air inducers use either a 208/230V or 460V single-phase PSC motor and a 4.81in. x 1.25in. (122mm x 32mm) inducer wheel. All motors operate from 3200 RPM to 3450 RPM and are equipped with auto-reset overload protection. Inducers are supplied by various manufacturers. Ratings may vary by manufacturer. Specific inducer electrical ratings can be found on the unit rating plate.

On a heating demand (W1), the ignition controls initiates the heating cycle. The control then allow 30 seconds for the combustion air inducers to vent exhaust gases from the burners. When the combustion air inducers are purging the exhaust gases, the combustion air prove switches close, proving that the combustion air inducers are operating before allowing the ignition sequence to continue. When the combustion air prove switches are closed and the delay is over, the ignition controls activate the first stage operator of the gas valves (low fire), the spark and the flame sensing electrode. Sparking stops immediately after flame is sensed or at the end of the eight second trial for ignition.

All combustion air inducer motors are sealed and cannot be oiled. The inducer cannot be adjusted but can be disassembled for cleaning.

7-Combustion Air Motor Capacitors C3 & C11

The combustion air inducer motors in all KGB units require run capacitors. Capacitor C3 is connected to combustion air inducer B6 and C11 is connected to combustion air inducer B15. Ratings will be on capacitor side or combustion air motor nameplate.

8-Gas Valves GV1 & GV3

GV1 and GV3 are identical two-stage redundant gas valves. Units are equipped with valves manufactured by Honeywell. See figure 16. On a call for first-stage heat, the valve (Honeywell) is energized by the ignition control simultaneously with the spark electrode. On a call for second stage-heat, the second-stage operator is energized directly from A3 (GV1) and A12 (GV3). A manual shut-off knob is provided on the valve for shut-off.

Manual shut-off knob immediately closes both stages without delay. Figure 16 shows Honeywell gas valve components. Table 8 shows factory gas valve regulation for KGB series units. Both valves are quick opening (on-off in less than 30 seconds) for first-stage heat.

TABLE 8

GAS VALVE REGULATION FOR KGB UNITS				
Maximum Inlet Pressure	Operating Pressure (outlet) Factory Setting			
	Natural		L.P.	
	Low	High	Low	High
13.0"W.C. 3232Pa	1.6+0.2"W.C. 398±50Pa	3.7+0.3"W.C. 920±75Pa	5.5+0.3"W.C. 1368±75Pa	10.5+0.5"W.C. 2611±7124Pa

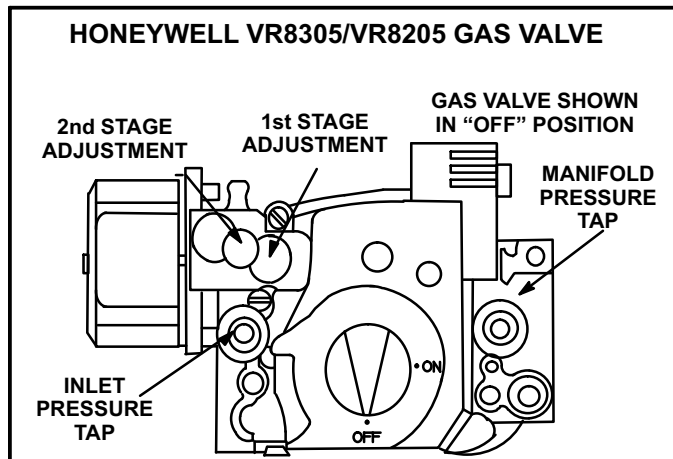


FIGURE 16

9-Spark Electrodes

An electrode assembly is used for ignition spark. Two identical electrodes are used (one for each gas heat section). The electrode is mounted through holes on the left-most end of the burner support. The electrode tip protrudes into the flame envelope of the adjacent burner. The electrode assembly is fastened to burner supports and can be removed for service without removing any part of the burners.

During ignition, spark travels through the spark electrode (figure 17) and ignites the left burner. Flame travels from burner to burner until all are lit.

The spark electrode is connected to the ignition control by a 8 mm silicone-insulated stranded high voltage wire. The wire uses 1/4" (6.35 mm) female quick connect.

⚠ IMPORTANT

In order to maximize spark energy to electrode, high voltage wire should touch unit cabinet as little as possible

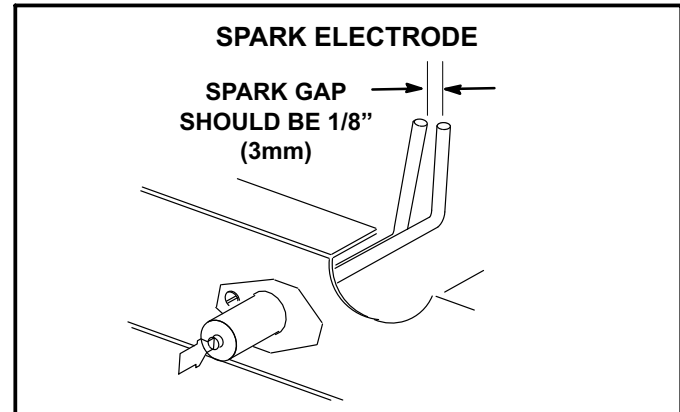


FIGURE 17

10-Flame Sensors (Figure 18)

A flame sensor is located on the right side of each burner support. The sensor is mounted through a hole in the burner support and the tip protrudes into the flame envelope of the right most burner. The sensor assembly is fastened to burner supports and can be removed for service without removing any part of the burners.

When flame is sensed by the flame sensor (indicated by microamp signal through the flame) sparking stops immediately. During operation, flame is sensed by current passed along the ground electrode (located on the spark electrode), through the flame and into the sensing electrode. The ignition control allows the gas valve to stay open as long as a flame signal (current passed through the flame) is sensed.

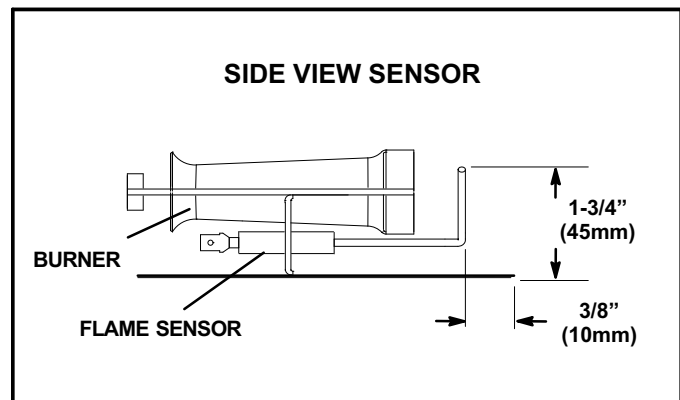


FIGURE 18

II-PLACEMENT AND INSTALLATION

Make sure the unit is installed in accordance with the installation instructions and all applicable codes. See accessories section for conditions requiring use of the optional roof mounting frame.

III-STARTUP - OPERATION


Refer to startup directions and to the unit wiring diagram when servicing. See unit nameplate for minimum circuit ampacity and maximum fuse size.


A-Preliminary and Seasonal Checks

- 1- Make sure the unit is installed in accordance with the installation instructions and applicable codes.
- 2- Inspect all electrical wiring, both field and factory installed for loose connections. Tighten as required. Refer to unit diagram located on inside of unit control box cover.
- 3- Check to ensure that refrigerant lines are in good condition and do not rub against the cabinet or other refrigerant lines.
- 4- Check voltage at the disconnect switch (if applicable) or TB2. Voltage must be within the range listed on the nameplate. If not, consult the power company and have the voltage corrected before starting the unit.
- 5- Recheck voltage and amp draw with unit running. If voltage is not within range listed on unit nameplate, stop unit and consult power company. Refer to unit nameplate for maximum rated load amps.
- 6- Inspect and adjust blower belt (see section on Blower Compartment - Blower Belt Adjustment).

B-Heating Startup

FOR YOUR SAFETY READ BEFORE LIGHTING

⚠ WARNING	
	Electric shock hazard. Can cause injury or death. Do not use this unit if any part has been under water. Immediately call a qualified service technician to inspect the unit and to replace any part of the control system and any gas control which has been under water.

⚠ WARNING	
	Danger of explosion. Can cause injury or product or property damage. If overheating occurs or if gas supply fails to shut off, shut off the manual gas valve to the appliance before shutting off electrical supply.

⚠ WARNING	
	Electric shock hazard. Can cause injury or death. Before attempting to perform any service or maintenance, turn the electrical power to unit OFF at disconnect switch(es). Unit may have multiple power supplies.

⚠ WARNING	
SMOKE POTENTIAL	
The heat exchanger in this unit could be a source of smoke on initial firing. Take precautions with respect to building occupants and property. Vent initial supply air outside when possible.	

BEFORE LIGHTING smell all around the appliance area for gas. Be sure to smell next to the floor because some gas is heavier than air and will settle on the floor.

Use only your hand to push in or turn the gas control knob. Never use tools. If the knob will not push in or turn by hand, do not try to repair it, call a qualified service technician. Force or attempted repair may result in a fire or explosion.

⚠ WARNING	
	Danger of explosion. Can cause injury or death. Do not attempt to light manually. Unit has a direct spark ignition system.

This unit is equipped with an automatic spark ignition system. There is no pilot. In case of a safety shutdown, move thermostat switch to **OFF** and return the thermostat switch to **HEAT** to reset ignition control.

A-Placing Unit In Operation

⚠ WARNING	
	Danger of explosion and fire. Can cause injury or product or property damage. You must follow these instructions exactly.

Gas Valve Operation Honeywell VR8205Q/VR8305Q (figure 19)

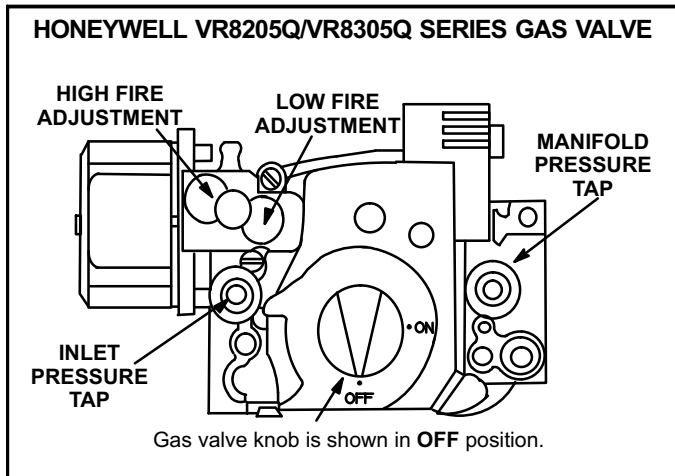





FIGURE 19

- 1- Set thermostat to lowest setting.
- 2- Turn off all electrical power to appliance.
- 3- This appliance is equipped with an ignition device which automatically lights the burner. Do **not** try to light the burner by hand.
- 4- Open or remove the heat section access panel.
- 5- Turn the knob on the gas valve clockwise  to “OFF”. Depress knob slightly. Do not force.
- 6- Wait five (5) minutes to clear out any gas. If you then smell gas, **STOP!** Immediately call your gas supplier from a neighbor's phone. Follow the gas supplier's instructions. If you do not smell gas, go to the next step.
- 7- Turn the knob on the gas valve counterclockwise  to “ON”. Do not force.
- 8- Close or replace the heat section access panel.
- 9- Turn on all electrical power to appliance.
- 10- Set thermostat to desired setting.
- 11- The ignition sequence will start.
- 12- If the appliance does not light the first time (gas line not fully purged), it will attempt up to two more ignitions before locking out.
- 13- If lockout occurs, repeat steps 1 through 10.
- 14- If the appliance will not operate, follow the instructions “Turning Off Gas to Appliance” and call your service technician or gas supplier.

Turning Off Gas to Unit

- 1- If using an electromechanical thermostat, set to the lowest setting.
- 2- Before performing any service, turn off all electrical power to the appliance.
- 3- Open or remove the heat section access panel.
- 4- Turn the knob on the gas valve clockwise  to “OFF”. Depress knob slightly. Do not force.
- 5- Close or replace the heat section access panel.

⚠ WARNING	
	Danger of explosion. Can cause injury or death. Do not attempt to light manually. Unit has a direct spark ignition system.

C-Safety or Emergency Shutdown

Turn off power and main manual shut off valve to unit.

D-Cooling Start Up

MSAV Units - Refer to the MSAV Start-Up section.

A-Operation

- 1- Remove coil covers before starting unit.
- 2- Initiate first and second stage cooling demands according to instructions provided with thermostat.

Compressor Stages

- 3- *180S, 210s, and 240S units* - First-stage thermostat demand will energize compressors 1 & 2; a second-stage thermostat demand will energize compressor 3..
300S units -
First-stage thermostat demand will energize compressors 1 & 2; a second-stage thermostat demand will energize compressors 3 & 4.

On units with an economizer, when outdoor air is acceptable, a first-stage demand will energize the economizer; a second-stage demand will energize compressor 1 and compressor 2 on all units.

Refrigerant Circuits

- 4- *180S, 210S and 240S - units*
Units contain three refrigerant circuits or systems. Evaporator and condenser coil refrigerant circuits 1 and 2 make up stage 1 cooling. Evaporator and condenser refrigerant circuit 3 makes up stage 2 cooling.
300S - units
Units contain four refrigerant circuits or systems. Evaporator and condenser coil refrigerant circuits 1 and 2 make up stage 1 cooling. Evaporator and condenser refrigerant circuit 3 and 4 make up stage 2 cooling.

Outdoor Fan Operation

5- 180S, 210S -

First-stage thermostat demand will energize condenser fans 1, 2 and 3. Fans will continue to operate with additional thermostat demands. See figure 20.

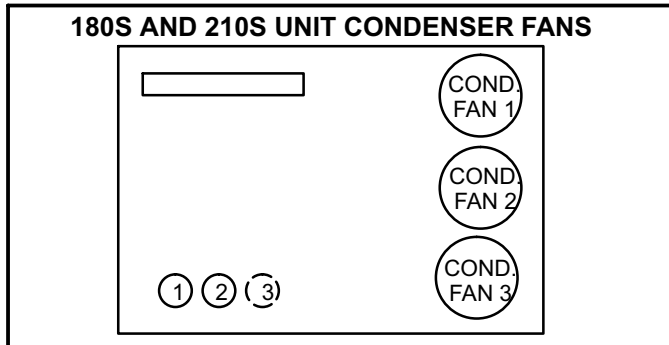


FIGURE 20

240S -

First-stage thermostat demand will energize condenser fans 1, 2, 3 and 4. See figure 21. Fans will continue to operate with additional thermostat demands.

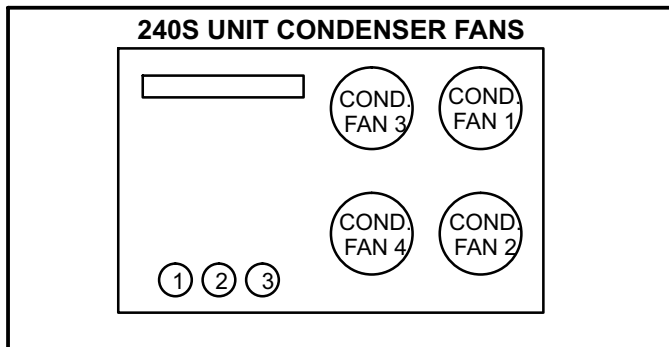


FIGURE 21

300S -

First-stage thermostat demand will energize condenser fans 1, 2 and 3. Second-stage thermostat demand will energize condenser fans 4, 5 and 6. See figure 22.

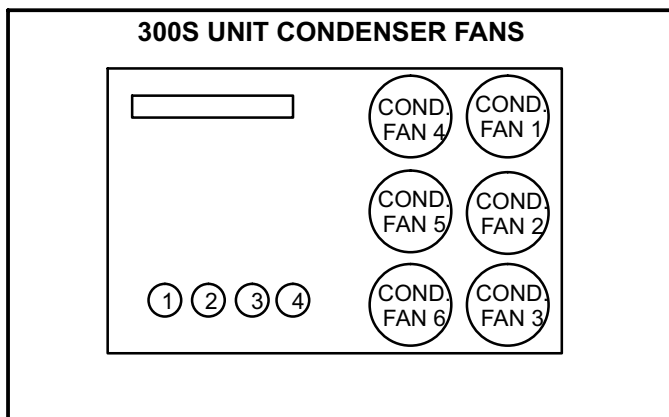


FIGURE 22

6- Each refrigerant circuit is separately charged with R-410A refrigerant. See unit rating plate for correct amount of charge.

7- Refer to Cooling Operation and Adjustment section for proper method to check refrigerant charge.

IV-CHARGING

A-All-Aluminum Outdoor Coil

! WARNING

Refrigerant can be harmful if it is inhaled. Refrigerant must be used and recovered responsibly.

Failure to follow this warning may result in personal injury or death.

WARNING-Do not exceed nameplate charge under any condition.

This unit is factory charged and should require no further adjustment. If the system requires additional refrigerant, reclaim the charge, evacuate the system, and add required nameplate charge.

*NOTE - System charging is not recommended below 60° F (15° C). In temperatures below 60° F (15° C), the charge **must** be weighed into the system.*

If weighing facilities are not available, or to check the charge, use the following procedure:

IMPORTANT - Charge unit in standard cooling mode.

1- Make sure outdoor coil is clean. Attach gauge manifolds and operate unit at full CFM in cooling mode with economizer disabled until system stabilizes (approximately five minutes). Make sure all outdoor air dampers are closed.

2- Check each system separately with all stages operating. Compare the normal operating pressures (see tables 9 -12) to the pressures obtained from the gauges. Check unit components if there are significant differences.

3- Measure the outdoor ambient temperature and the suction pressure. Refer to the appropriate circuit charging curve to determine a target liquid temperature.

NOTE - Pressures are listed for sea level applications.

4- Use the same thermometer to accurately measure the liquid temperature ((in compressor compartment where the liquid lines enter from the condenser section).

- If measured liquid temperature is higher than the target liquid temperature, add refrigerant to the system.

- If measured liquid temperature is lower than the target liquid temperature, recover some refrigerant from the system.

5- Add or remove charge in increments. Allow the system to stabilize each time refrigerant is added or removed.

6- Continue the process until measured liquid temperature agrees with the target liquid temperature. Do not go below the target liquid temperature when adjusting charge. Note that suction pressure can change as charge is adjusted.

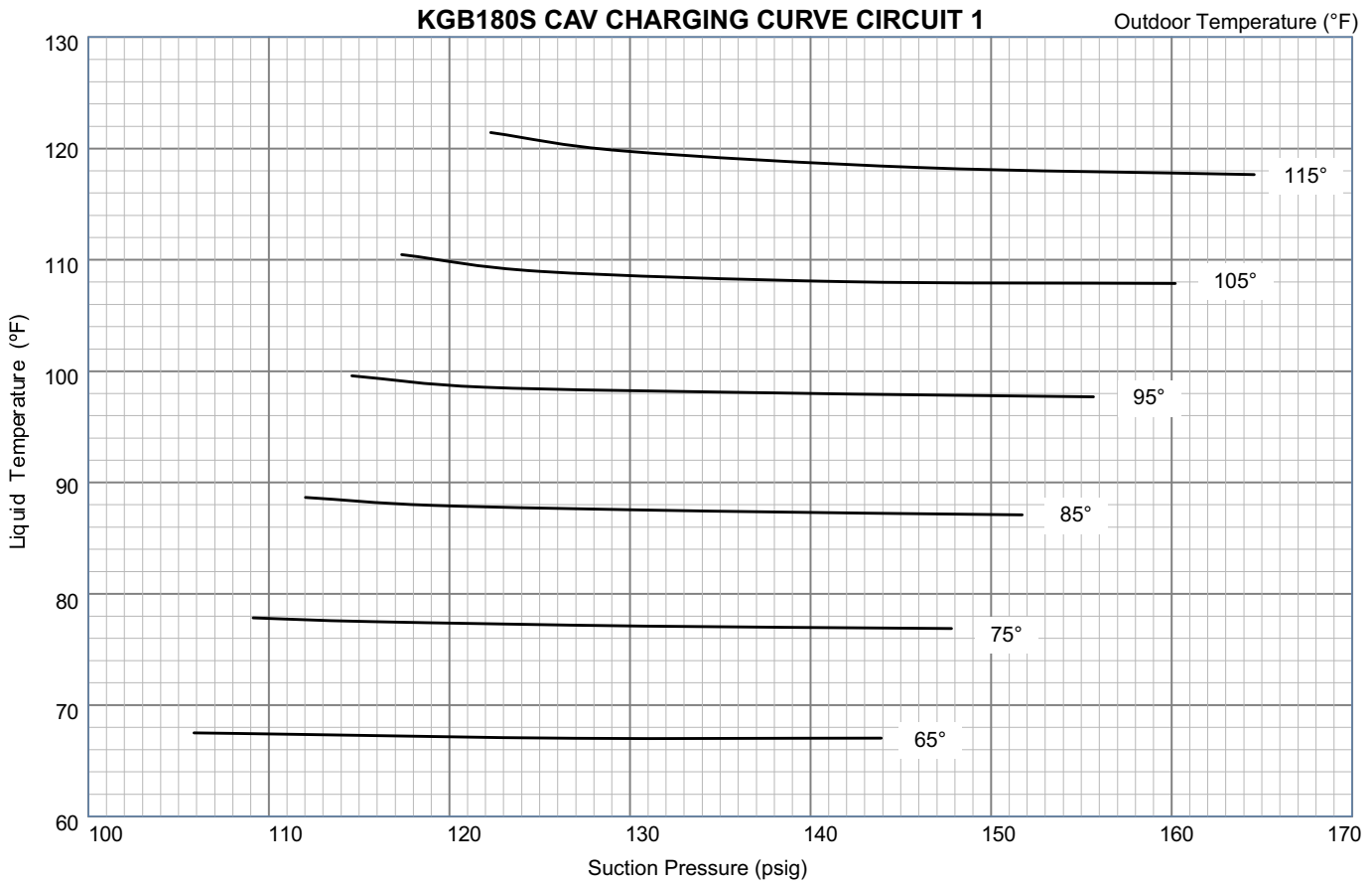
7- Example KGB180S Circuit 1: At 95°F outdoor ambient and a measured suction pressure of 130psig, the target

liquid temperature is 98°F. For a measured liquid temperature of 106°F, add charge in increments until mea-

sured liquid temperature agrees with the target liquid temperature.

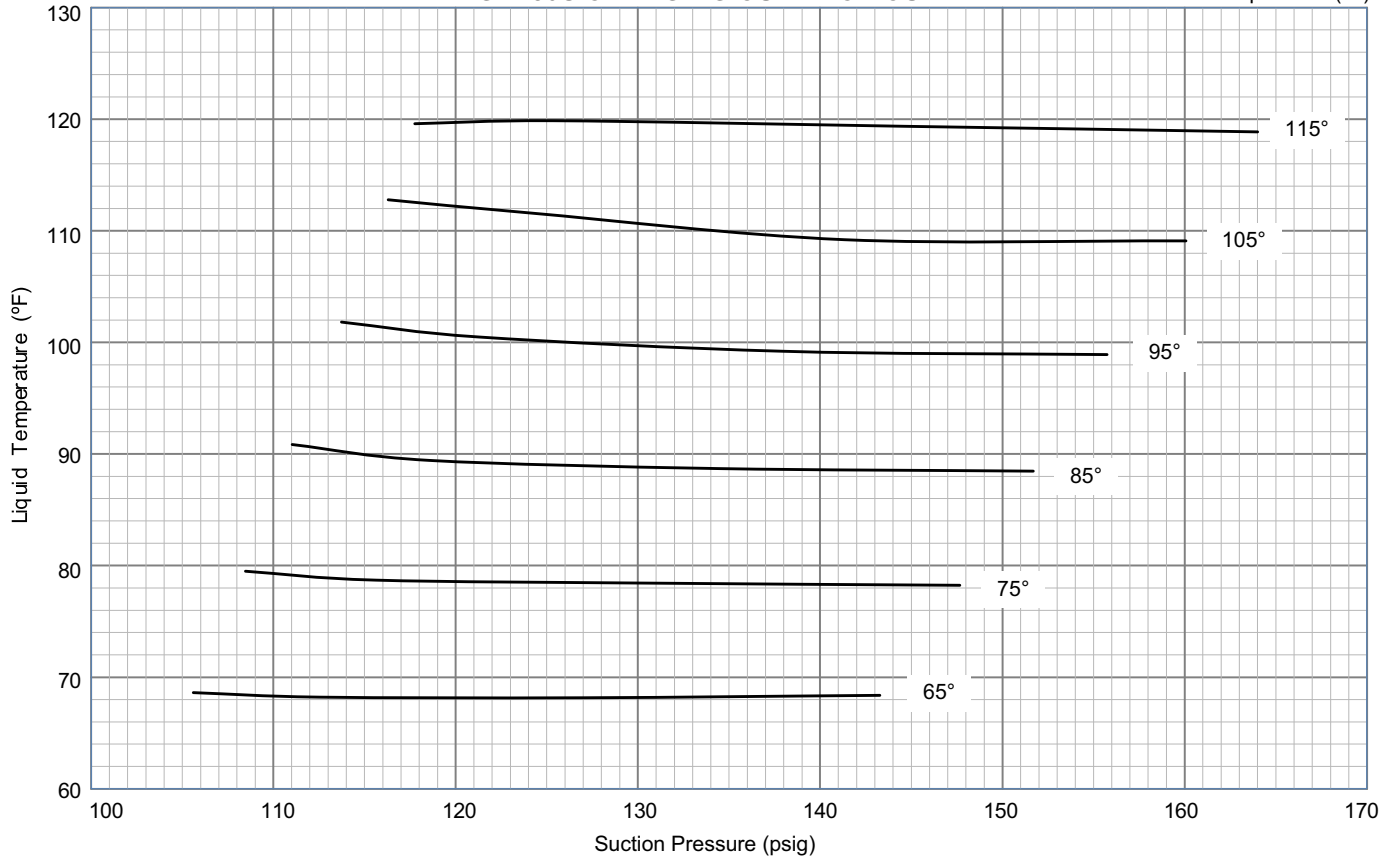
**TABLE 9
KGB180S NORMAL OPERATING PRESSURES**

Normal Operating Pressures												
Outdoor Coil Entering Air Temperature												
65 °F		75 °F		85 °F		95 °F		105 °F		115 °F		
Suct (psig)	Disc (psig)	Suct (psig)	Disc (psig)	Suct (psig)	Disc (psig)	Suct (psig)	Disc (psig)	Suct (psig)	Disc (psig)	Suct (psig)	Disc (psig)	
Circuit 1	106	249	109	286	112	328	115	373	117	422	122	477
	112	256	116	292	119	333	122	378	125	429	130	484
	127	275	131	311	134	352	138	398	142	447	146	505
	144	299	148	336	152	376	156	424	160	478	165	535
Circuit 2	106	251	108	288	111	330	114	372	116	421	118	477
	113	258	116	294	119	334	121	379	124	429	125	484
	127	273	131	311	134	350	138	397	141	445	145	501
	143	296	148	333	152	375	156	421	160	473	164	528
Circuit 3	110	266	113	306	115	348	118	394	120	442	125	497
	117	274	120	311	123	356	126	403	129	454	132	508
	132	292	136	333	139	376	143	424	146	475	149	540
	148	314	153	355	157	401	161	450	165	505	168	568



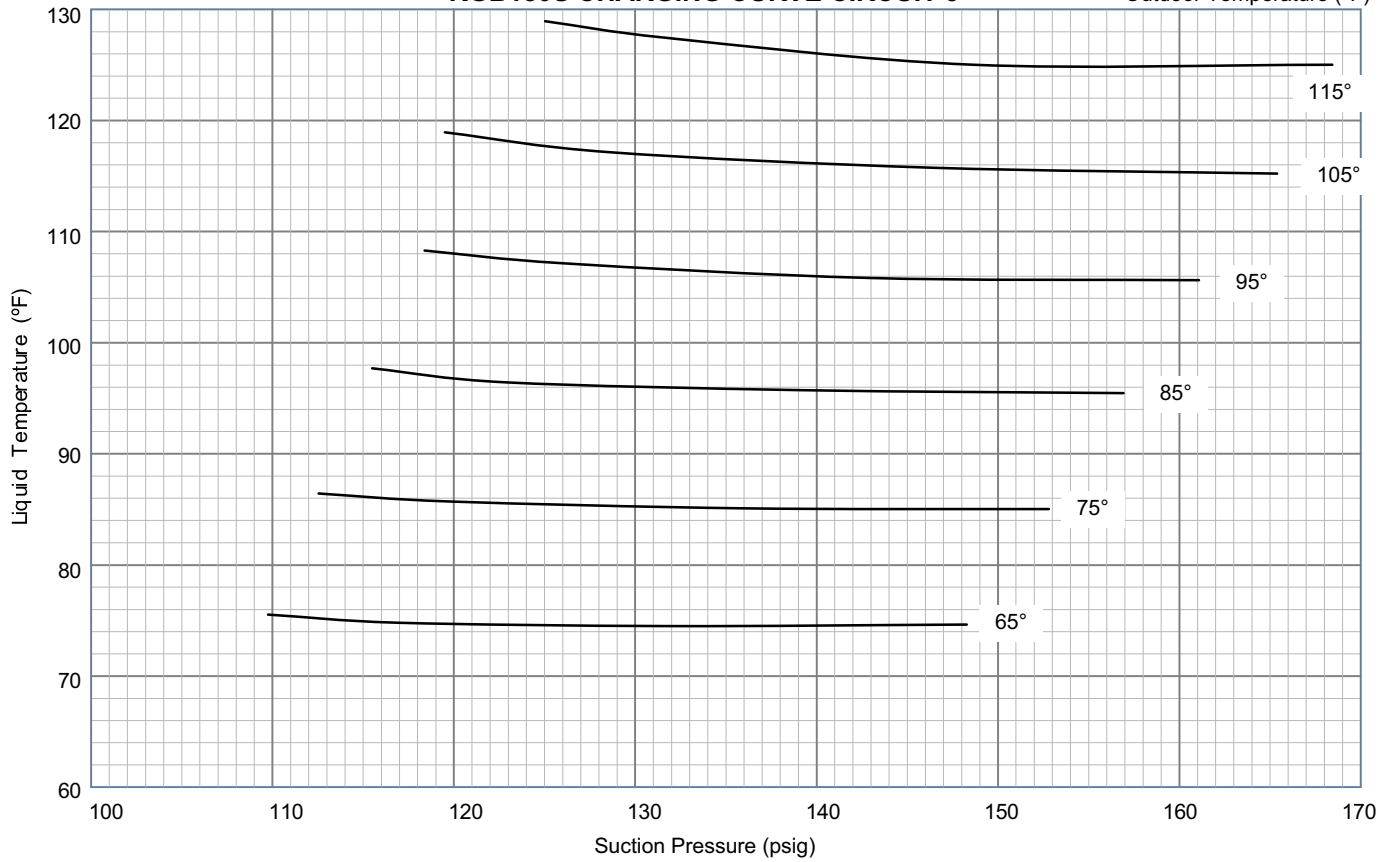
KGB180S CHARGING CURVE CIRCUIT 2

Outdoor Temperature (°F)



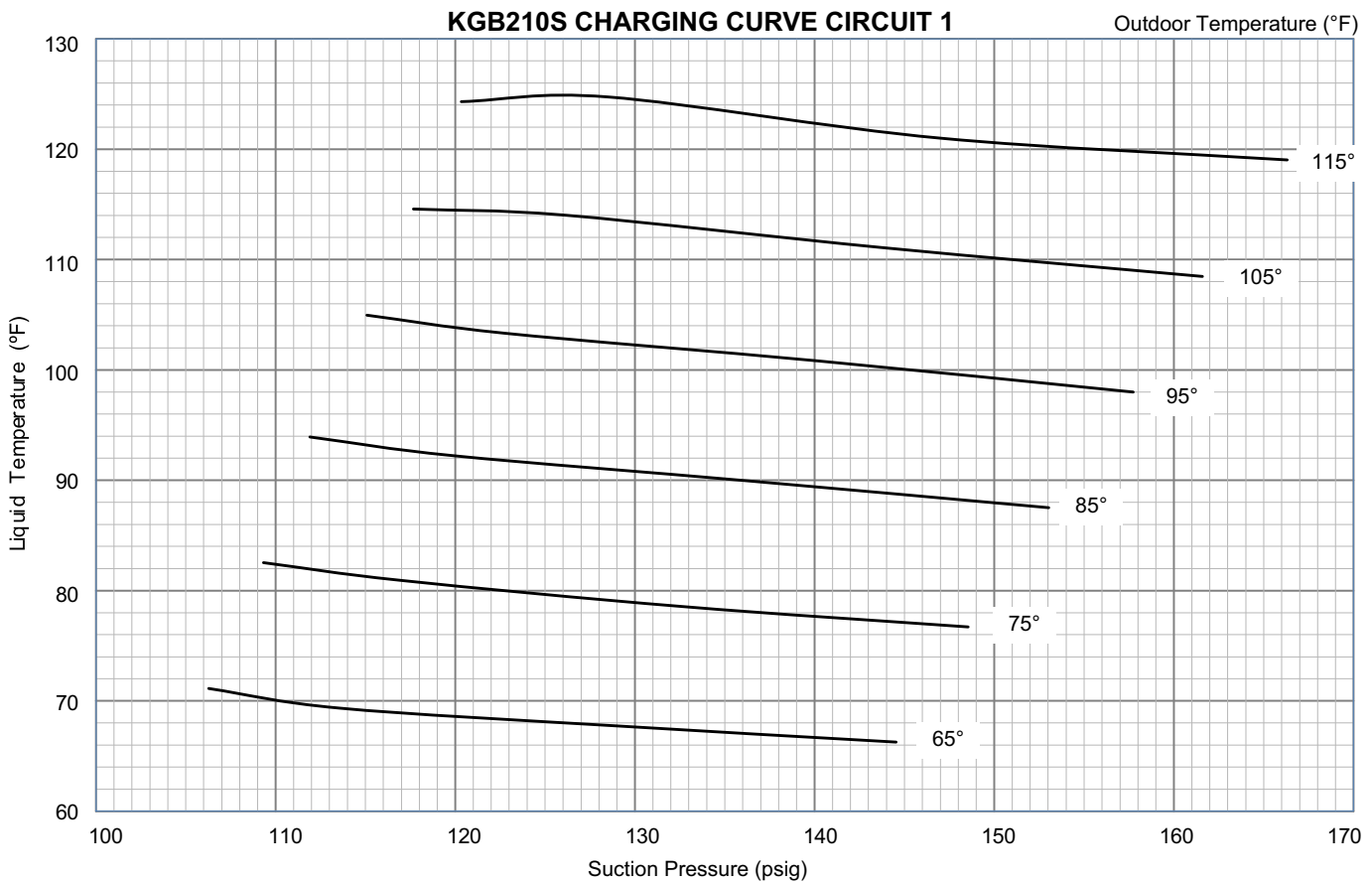
KGB180S CHARGING CURVE CIRCUIT 3

Outdoor Temperature (°F)



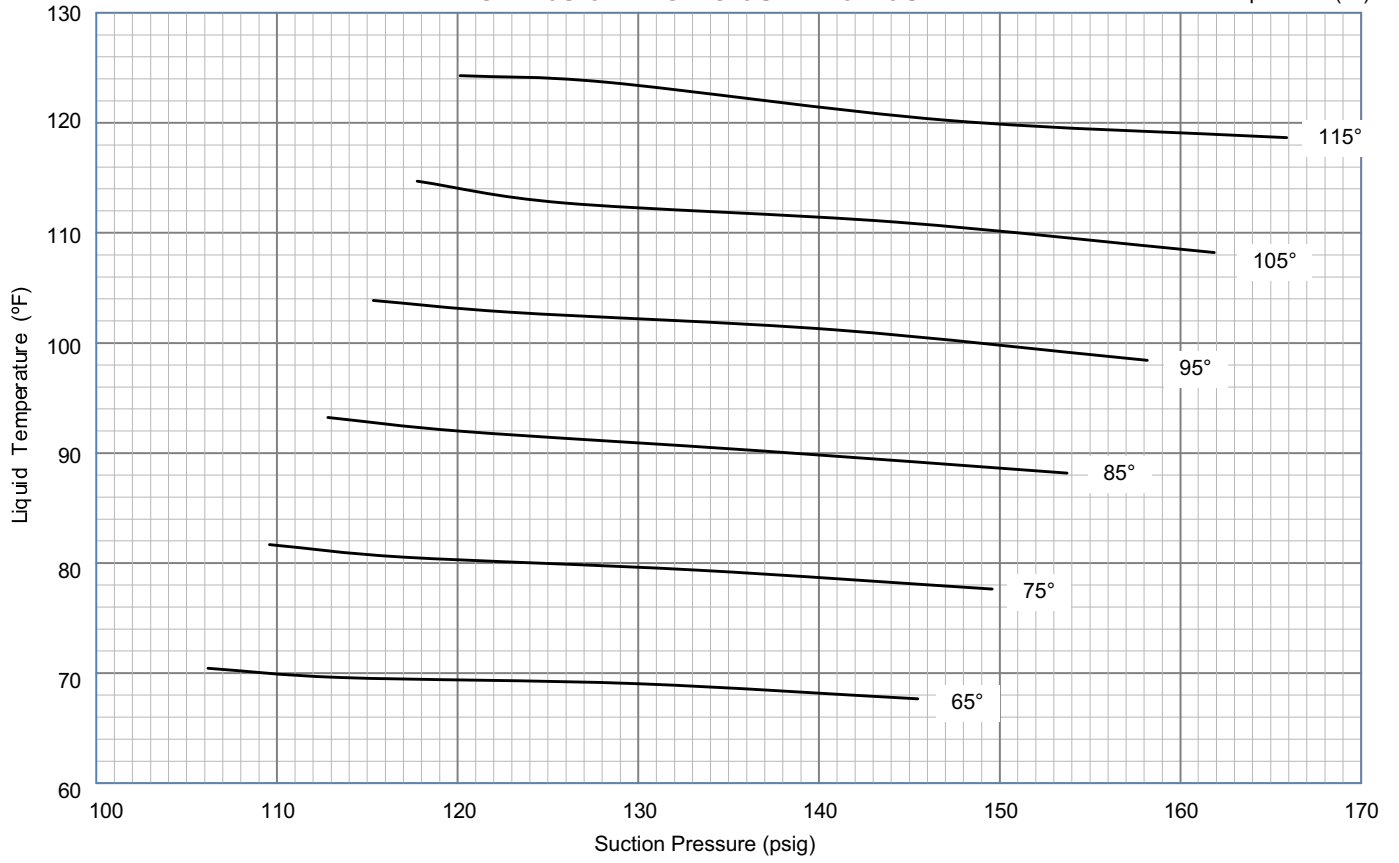
**TABLE 10
KGB210S NORMAL OPERATING PRESSURES**

Normal Operating Pressures												
	Outdoor Coil Entering Air Temperature											
	65 °F		75 °F		85 °F		95 °F		105 °F		115 °F	
	Suct (psig)	Disc (psig)	Suct (psig)	Disc (psig)	Suct (psig)	Disc (psig)	Suct (psig)	Disc (psig)	Suct (psig)	Disc (psig)	Suct (psig)	Disc (psig)
Circuit 1	106	253	109	291	112	333	115	380	118	427	120	481
	114	258	117	295	120	338	123	385	126	435	129	487
	129	272	133	309	136	351	140	398	144	449	147	506
	145	289	149	324	153	366	158	412	162	462	166	522
Circuit 2	106	262	110	300	113	339	115	384	118	430	120	485
	114	269	117	305	120	346	123	392	126	439	128	495
	130	286	133	322	137	363	141	409	144	457	147	514
	145	303	150	339	154	380	158	425	162	471	166	528
Circuit 3	108	276	111	314	114	356	117	402	119	451	123	503
	115	284	119	322	122	364	125	410	128	462	131	516
	132	304	135	343	139	385	143	433	146	484	149	541
	148	321	152	361	156	403	161	450	164	498	167	557



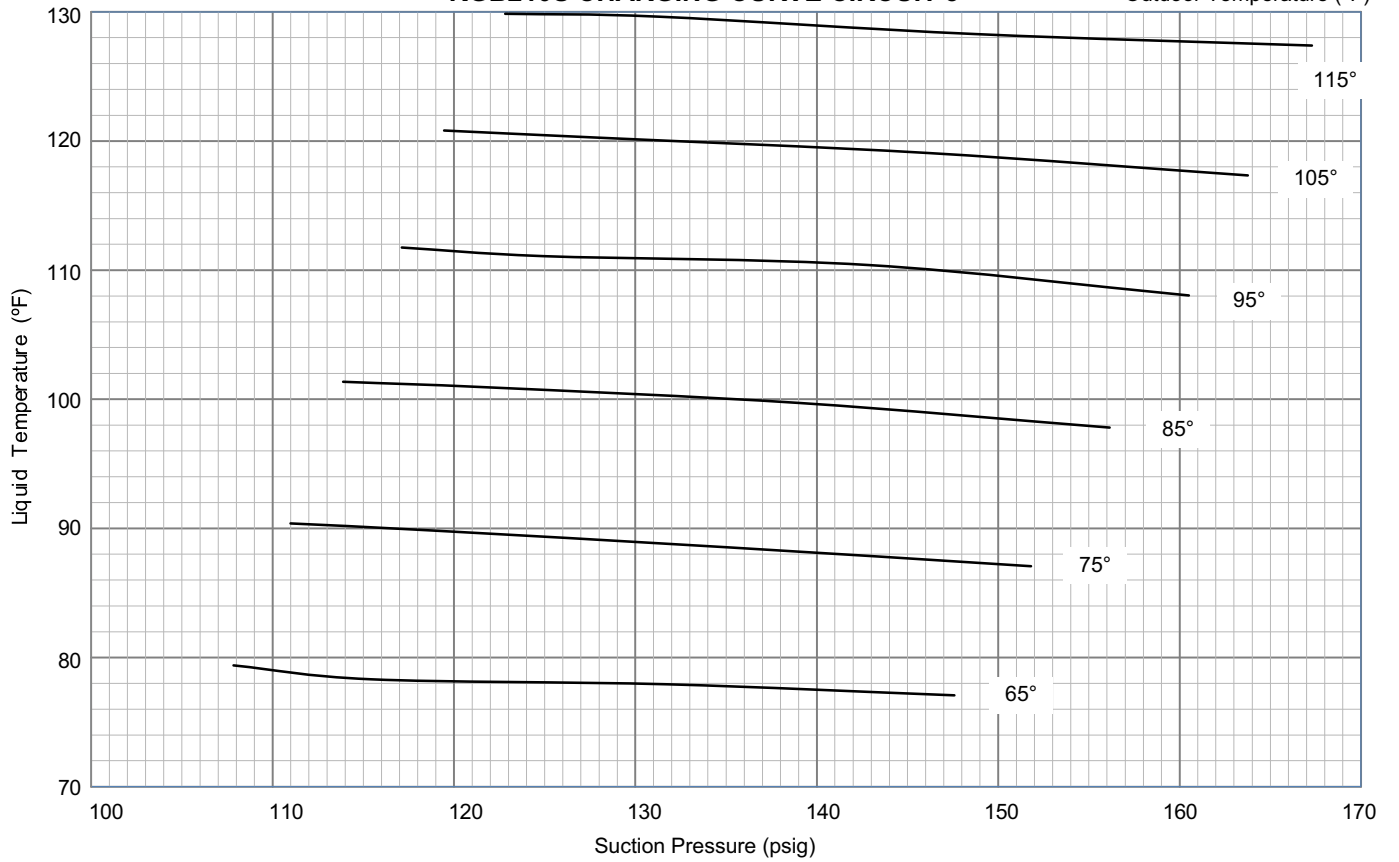
KGB210S CHARGING CURVE CIRCUIT 2

Outdoor Temperature (°F)



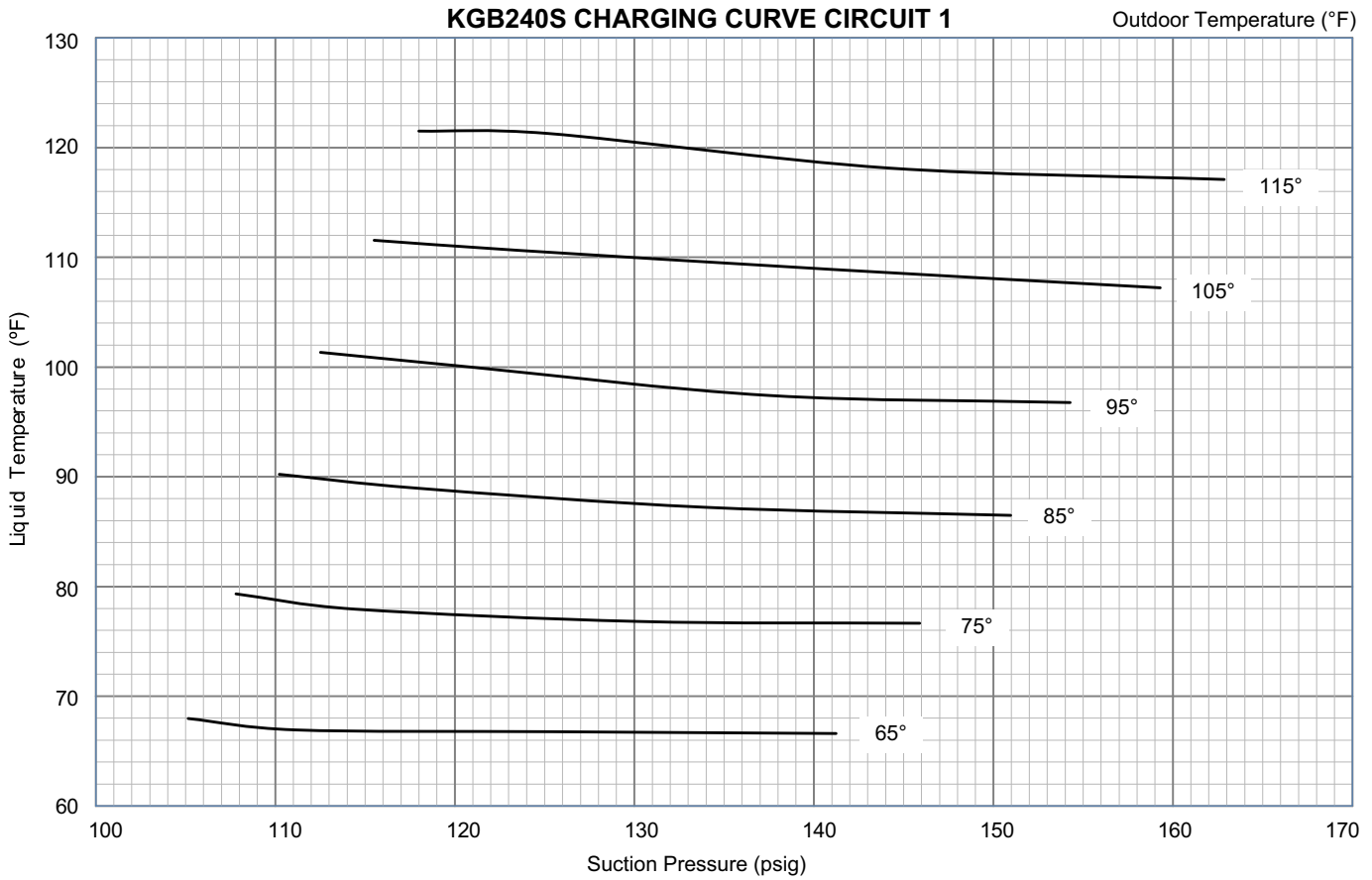
KGB210S CHARGING CURVE CIRCUIT 3

Outdoor Temperature (°F)



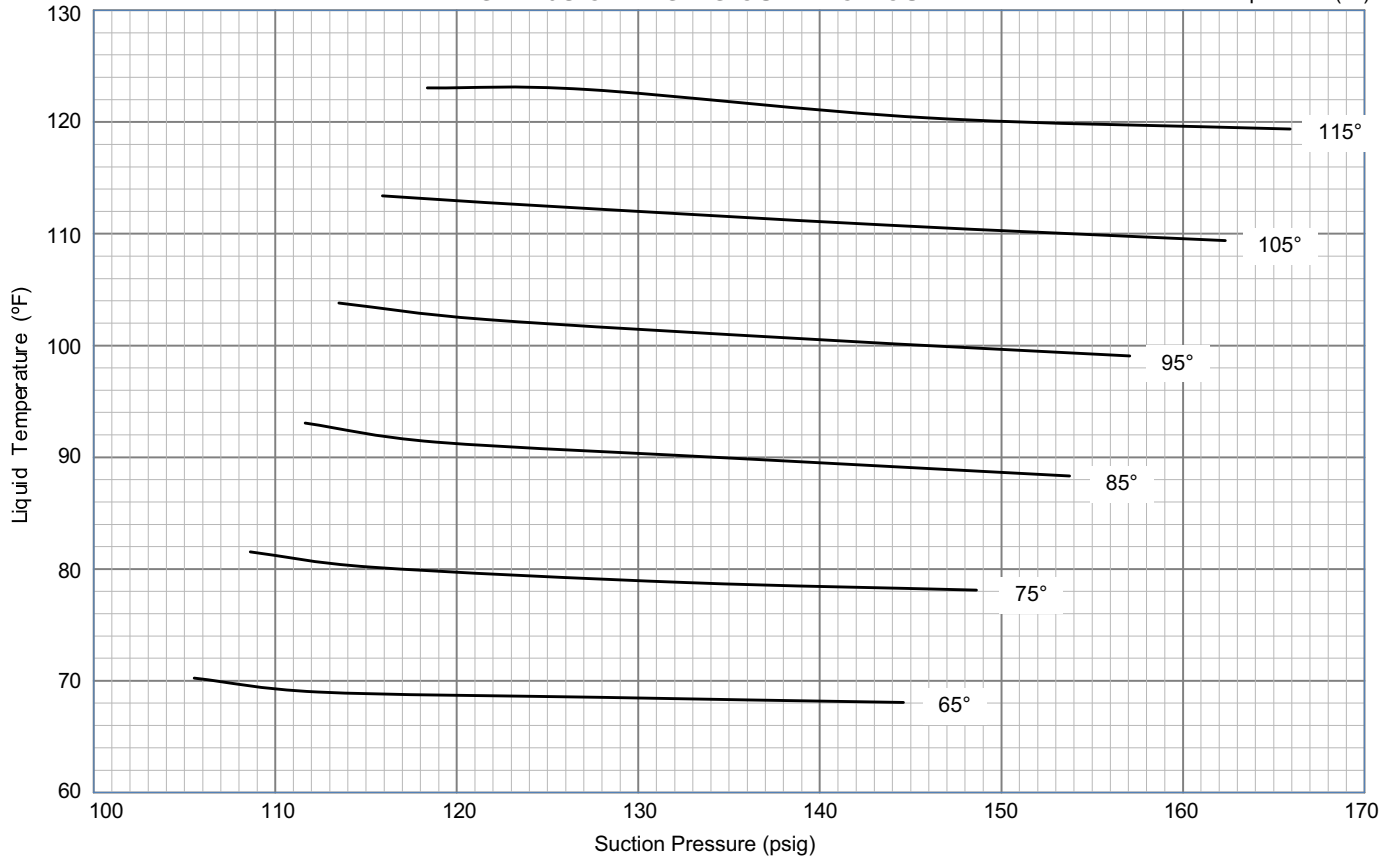
**TABLE 11
KGB240S NORMAL OPERATING PRESSURES**

Normal Operating Pressures												
Outdoor Coil Entering Air Temperature												
	65 °F		75 °F		85 °F		95 °F		105 °F		115 °F	
	Suct (psig)	Disc (psig)	Suct (psig)	Disc (psig)	Suct (psig)	Disc (psig)	Suct (psig)	Disc (psig)	Suct (psig)	Disc (psig)	Suct (psig)	Disc (psig)
Circuit 1	105	242	108	279	110	320	113	365	115	414	118	468
	111	247	114	284	118	326	121	372	124	421	125	474
	125	263	130	299	134	339	138	383	141	432	144	489
	141	281	146	317	151	359	154	403	159	454	163	508
Circuit 2	106	253	109	290	112	330	114	374	116	424	118	474
	112	259	115	295	119	336	122	382	124	430	127	482
	128	274	133	310	136	350	140	394	144	446	146	501
	145	292	149	328	154	370	157	414	162	465	166	516
Circuit 3	99	262	102	300	104	343	107	390	107	436	110	489
	105	268	108	307	111	350	114	396	117	448	117	499
	121	285	124	325	127	368	130	414	134	466	135	525
	136	303	140	344	145	390	149	436	153	490	155	548



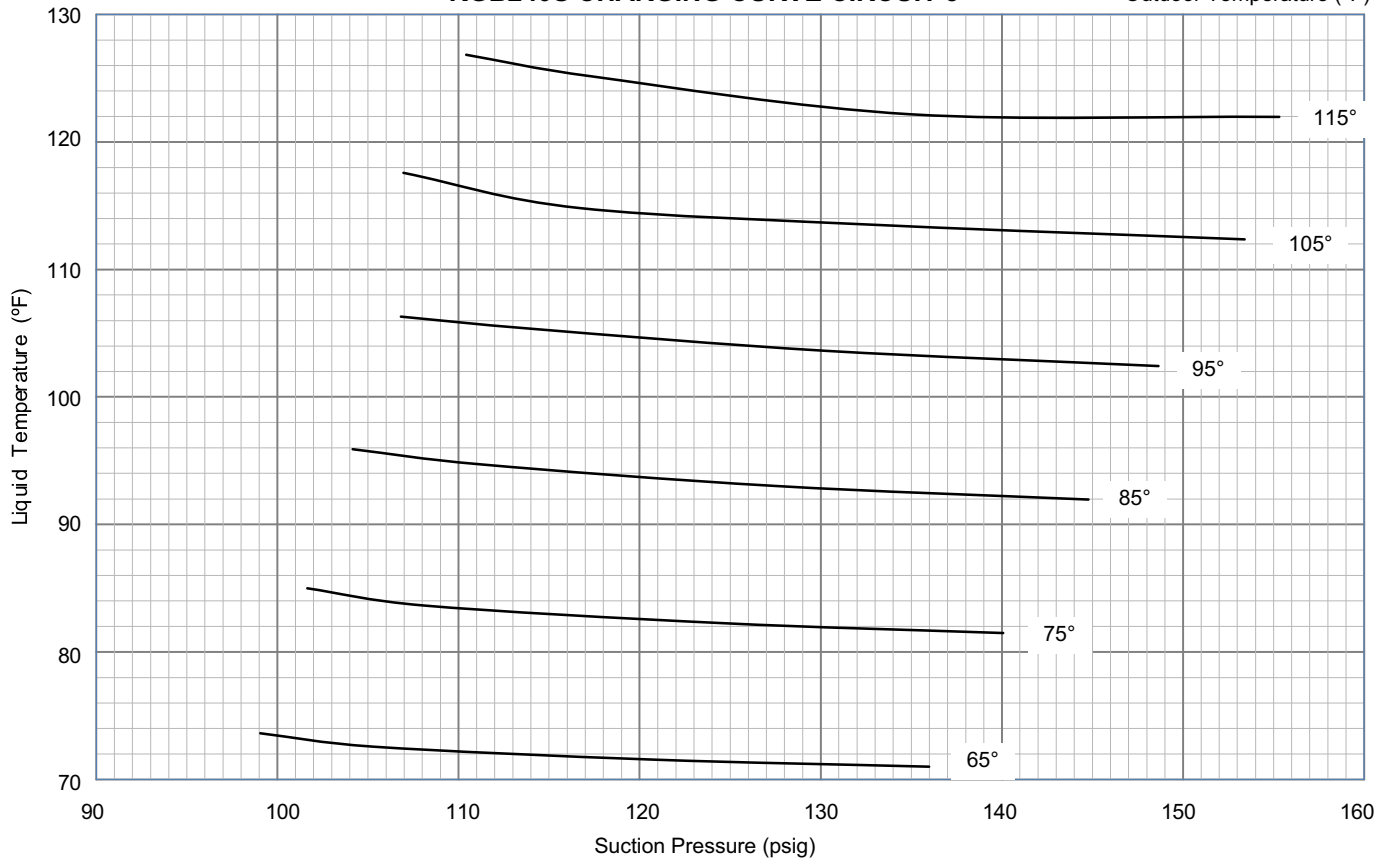
KGB240S CHARGING CURVE CIRCUIT 2

Outdoor Temperature (°F)



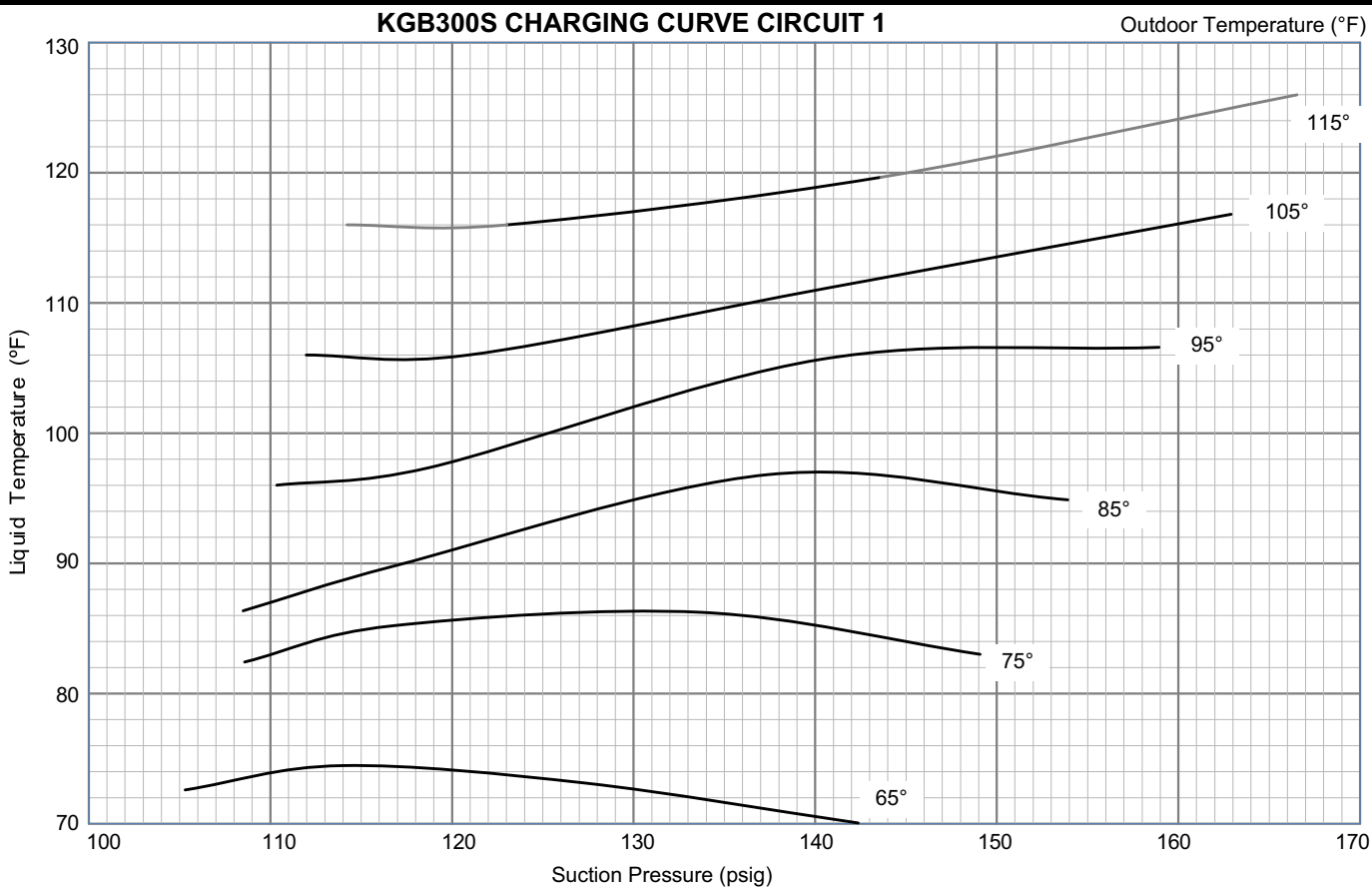
KGB240S CHARGING CURVE CIRCUIT 3

Outdoor Temperature (°F)



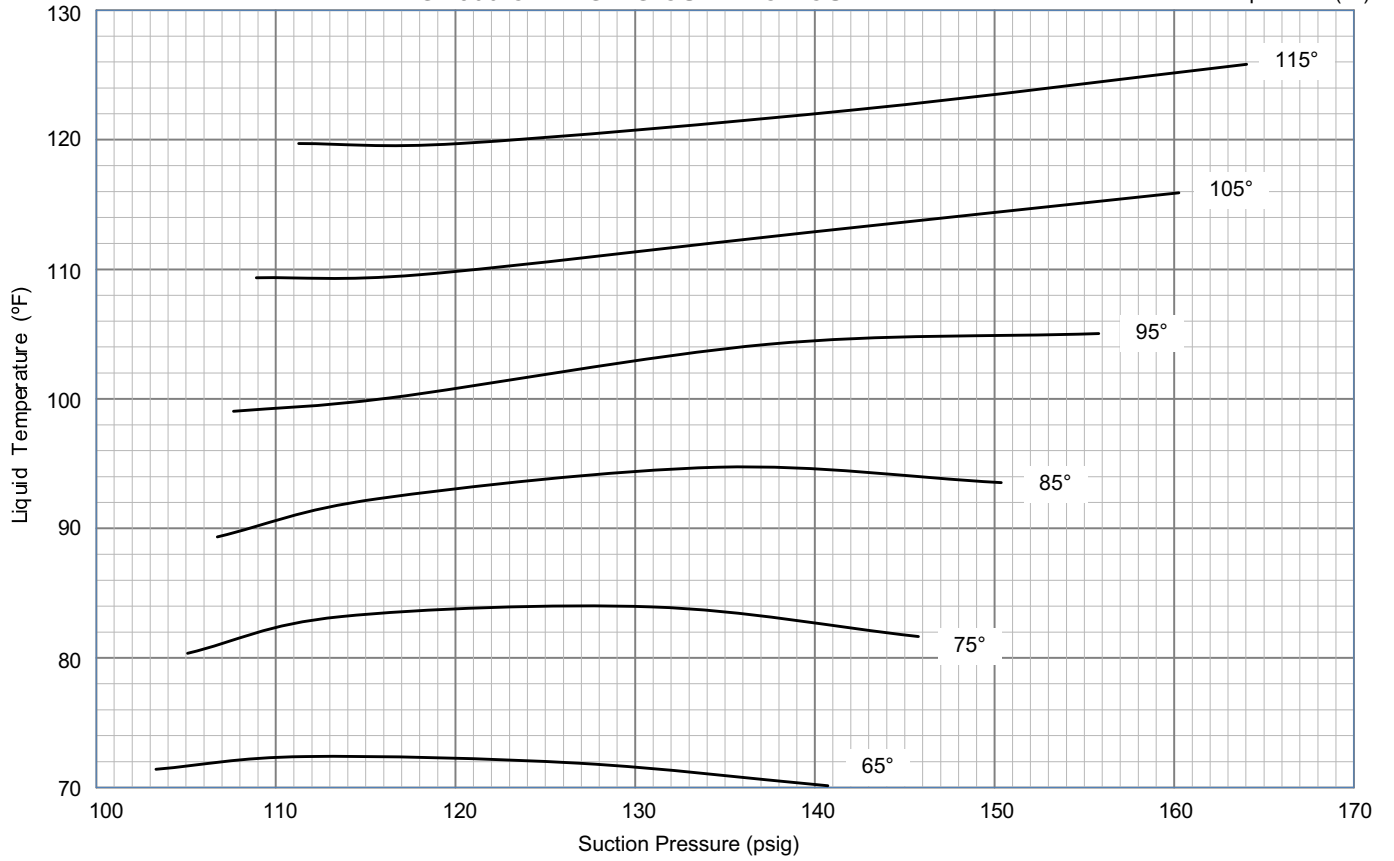
**TABLE 12
KGB300S NORMAL OPERATING PRESSURES**

Normal Operating Pressures												
	Outdoor Coil Entering Air Temperature											
	65 °F		75 °F		85 °F		95 °F		105 °F		115 °F	
	Suct (psig)	Disc (psig)	Suct (psig)	Disc (psig)	Suct (psig)	Disc (psig)	Suct (psig)	Disc (psig)	Suct (psig)	Disc (psig)	Suct (psig)	Disc (psig)
Circuit 1	105	248	109	283	109	330	110	381	112	432	114	486
	114	250	117	291	117	338	119	384	121	432	123	487
	127	253	134	300	137	343	140	388	141	444	144	501
	142	265	149	308	154	349	159	399	163	449	167	503
Circuit 2	103	236	105	272	107	318	108	373	109	428	111	484
	112	238	114	278	116	325	116	374	118	425	120	482
	127	246	131	285	135	327	137	377	140	433	142	491
	141	254	146	294	150	332	156	385	160	437	164	495
Circuit 3	104	258	105	302	107	345	109	399	111	456	114	519
	112	263	114	308	115	354	117	403	120	463	123	524
	131	297	133	320	136	367	138	410	140	465	142	526
	147	313	147	334	152	381	156	423	160	476	165	537
Circuit 4	100	246	103	289	104	329	105	381	107	437	110	500
	109	253	110	293	112	337	114	383	116	443	119	505
	126	281	127	303	131	349	133	391	136	443	139	499
	141	296	143	321	149	370	152	410	157	462	161	521



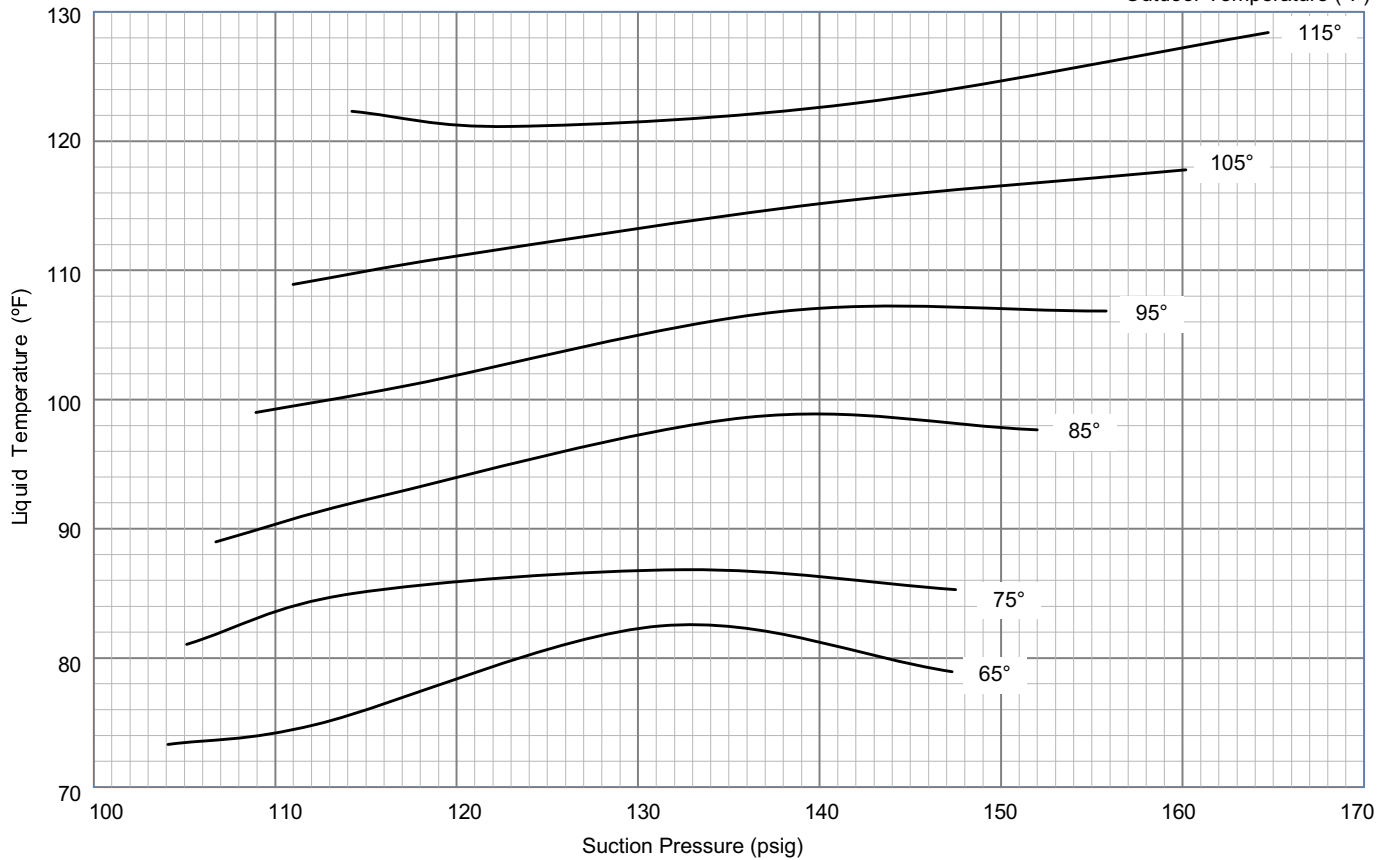
KGB300 CHARGING CURVE CIRCUIT 2

Outdoor Temperature (°F)

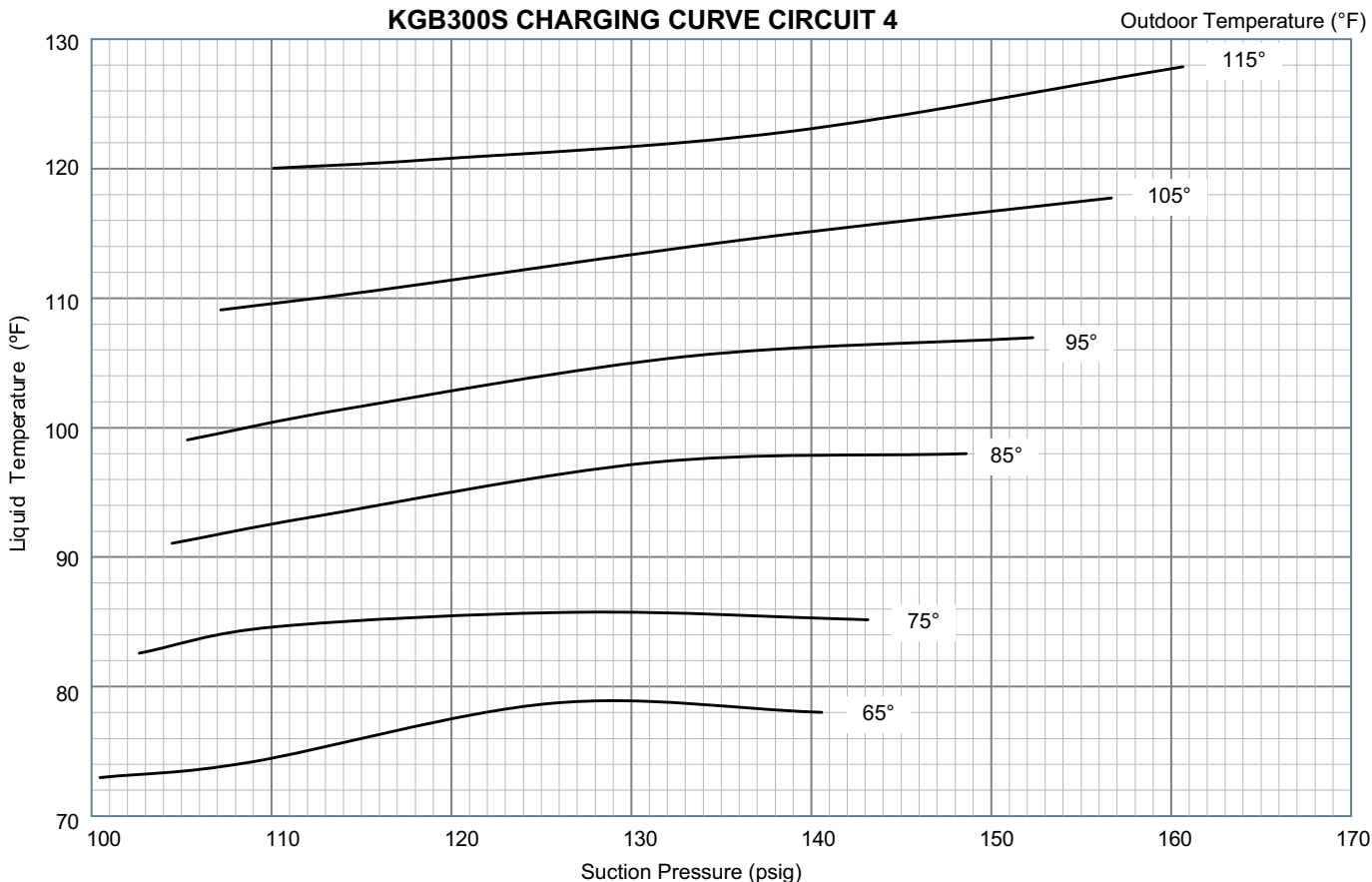


KGB300S CHARGING CURVE CIRCUIT 3

Outdoor Temperature (°F)



KGB300S CHARGING CURVE CIRCUIT 4



B - Fin/Tube Coil

! IMPORTANT

Units equipped with a Hot Gas Reheat system MUST be charged in standard cooling mode.

WARNING-Do not exceed nameplate charge under any condition.

This unit is factory charged and should require no further adjustment. If the system requires additional refrigerant, re-claim the charge, evacuate the system and add required nameplate charge.

NOTE - System charging is not recommended below 60°F (15°C). In temperatures below 60°F (15°C), the charge **must** be weighed into the system.

If weighing facilities are not available, or to check the charge, use the following procedure:

IMPORTANT - Charge unit in normal cooling mode.

- 1- Attach gauge manifolds and operate unit in cooling mode with economizer disabled until system stabilizes (approximately five minutes). Make sure all outdoor air dampers are closed.
- 2- Check each system separately with all stages operating.
- 3- Use a thermometer to accurately measure the outdoor ambient temperature.
- 4- Apply the outdoor temperature to tables 13 through 16 to determine normal operating pressures. Pressures are

listed for sea level applications at 80°F dry bulb and 67°F wet bulb return air.

- 5- Compare the normal operating pressures to the pressures obtained from the gauges. Minor variations in these pressures may be expected due to differences in installations. Significant differences could mean that the system is not properly charged or that a problem exists with some component in the system. **Correct any system problems before proceeding.**
- 6- If discharge pressure is high, remove refrigerant from the system. If discharge pressure is low, add refrigerant to the system.
 - Add or remove charge in increments.
 - Allow the system to stabilize each time refrigerant is added or removed.
- 7- Use the following approach method along with the normal operating pressures to confirm readings.

TABLE 13
KGB/KCB180S Fin/Tube With and Without Reheat

Outdoor Coil Entering Air Temp	Circuit 1		Circuit 2		Circuit 3	
	Dis. ±10 psig	Suc. ±5 psig	Dis. ±10 psig	Suc. ±5 psig	Dis. ±10 psig	Suc. ±5 psig
65°F	270	124	263	122	286	129
75°F	317	133	311	131	333	137
85°F	360	137	353	136	375	142
95°F	411	142	403	140	426	146
105°F	465	146	455	144	480	149
115°F	525	148	512	147	538	149

TABLE 14
KGB/KCB210S Fin/Tube With and Without Reheat

Outdoor Coil Entering Air Temp	Circuit 1		Circuit 2		Circuit 3	
	Dis. ±10 psig	Suc. ±5 psig	Dis. ±10 psig	Suc. ±5 psig	Dis. ±10 psig	Suc. ±5 psig
65°F	280	126	279	124	298	126
75°F	323	133	322	131	341	132
85°F	368	138	367	136	387	136
95°F	418	142	415	140	437	140
105°F	471	145	468	144	491	143
115°F	530	148	525	147	550	147

TABLE 15
KGB/KCB240S Fin/Tube With and Without Reheat

Outdoor Coil Entering Air Temp	Circuit 1		Circuit 2		Circuit 3	
	Dis. ±10 psig	Suc. ±5 psig	Dis. ±10 psig	Suc. ±5 psig	Dis. ±10 psig	Suc. ±5 psig
65°F	257	119	271	125	289	119
75°F	297	125	311	131	332	125
85°F	342	131	354	136	378	129
95°F	390	136	401	139	426	133
105°F	441	140	452	143	478	136
115°F	496	142	507	146	533	140

TABLE 16
KGB/KCB 300S Fin/Tube With and Without Reheat

Outdoor Coil Entering Air Temp	Circuit 1		Circuit 2		Circuit 3		Circuit 4	
	Dis. ±10 psig	Suc. ±5 psig	Dis. ±10 psig	Suc. ±5 psig	Dis. ±10 psig	Suc. ±5 psig	Dis. ±10 psig	Suc. ±5 psig
65°F	272	129	273	128	280	129	277	127
75°F	311	132	303	131	321	131	317	129
85°F	357	134	349	133	367	133	363	130
95°F	403	137	397	137	418	135	406	134
105°F	451	139	453	140	475	138	471	136
115°F	502	142	506	142	532	144	529	140

E-Charge Verification - Approach Method - AHRI Testing (Fin/Tube Coil)

- Using the same thermometer, compare liquid temperature to outdoor ambient temperature.
Approach Temperature = Liquid temperature (at condenser outlet) minus ambient temperature.
- Approach temperature should match values in table NO TAG. An approach temperature greater than value shown indicates an undercharge. An approach temperature less than value shown indicates an overcharge.

3- The approach method is not valid for grossly over or undercharged systems. Use tables 13 through 16 as a guide for typical operating pressures.

TABLE 17
Approach Temperatures Fin/Tube Coil

KG/KB Unit	Liquid Temp. Minus Ambient Temp.			
	1st Stage	2nd Stage	3rd Stage	4th Stage
180S	2°F ± 1 (1.1°C ± 0.5)	2°F ± 1 (1.1°C ± 0.5)	5°F ± 1 (2.8°C ± 0.5)	NA
210S	5°F ± 1 (2.8°C ± 0.5)	4°F ± 1 (2.2°C ± 0.5)	8°F ± 1 (4.4°C ± 0.5)	NA
240S	5°F ± 1 (2.8°C ± 0.5)	5°F ± 1 (2.8°C ± 0.5)	9°F ± 1 (5.0°C ± 0.5)	NA
300S	6°F ± 1 (3.3°C ± 0.5)	6°F ± 1 (3.3°C ± 0.5)	7°F ± 1 (3.9°C ± 0.5)	7°F ± 1 (3.9°C ± 0.5)

F-Compressor Controls

See unit wiring diagram to determine which controls are used on each unit. Optional controls are identified on wiring diagrams by arrows at junction points.

Freezestats (S49, S50, S53, S95)

Switches de-energize compressors when evaporator coil temperature falls below 29°F (-2°C) to prevent evaporator freeze-up. Switches reset when evaporator coil temperature reaches 58°F (15°C).

High Pressure Switches (S4, S7, S28, S96)

Switches open to de-energize appropriate compressor at 640 psig ± 20 psig (4413kPa ± 138kPa). Switch must be manually reset.

Thermal Protector (S5, S8, S31, S180)

The compressors used on 180H and 240H units are each protected by an external temperature switch. The N.C. switch opens at 248°F ± 9 (120°C + 13) and automatically resets at 169°F ± 18 (76°C+8). The compressors used on 156H, 180S, 210S/H, 240S and 300S/H units are each protected by an internal thermal protector switch.

4- Crankcase Heater (HR1, HR2, HR5, HR11)

Units have compressors which contain a belly band compressor oil heater which must be on 24 hours before running compressors. Energize by setting thermostat so that there is no cooling demand, to prevent compressor from cycling, and apply power to unit.

V- SYSTEMS SERVICE CHECKS

A-Heating System Service Checks

All KGB units are C.S.A. design certified without modification.

Before checking piping, check with gas company or authorities having jurisdiction for local code requirements. Refer to the KGB Installation instruction for more information.

1-Gas Piping

Gas supply piping must not allow more than 0.5"W.C. (124.3 Pa) drop in pressure between the gas meter and the unit. Supply gas pipe must not be smaller than the unit gas connection. Refer to installation instructions for details.

2-Testing Gas Piping

NOTE - In case emergency shutdown is required, turn off the main manual shut-off valve and disconnect the main power to the unit. These controls should be properly labeled by the installer.

When pressure testing gas lines, the gas valve must be disconnected and isolated. **Gas valves can be damaged if subjected to more than 0.5 psig [14"W.C. (3481 Pa)].** See figure 23.

When checking piping connection for gas leaks, use the preferred means. Common kitchen detergents can cause harmful corrosion on various metals used in gas piping. The use of specialty Gas Leak Detector is strongly recommended. It is available as part number 31B2001. See CORP 8411-L10, for further details.

Do not use matches, candles, flame or any other source of ignition to check for gas leaks.

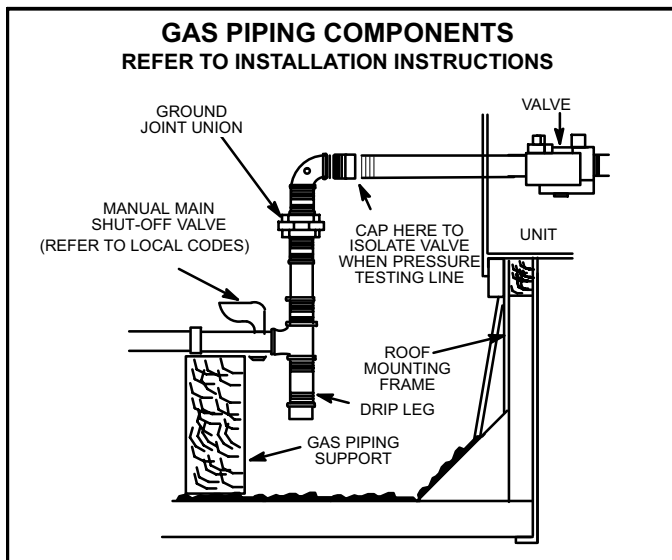


FIGURE 23

3-Testing Gas Supply Pressure

When testing gas supply pressure, connect test gauge to the inlet pressure tap located on unit gas valve GV1 and or GV3. Test supply gas pressure with unit firing at maximum rate (both stages energized). Make sure the reading falls within the range of the following values. Low pressure may result in erratic operation or "underfire." High pressure can result in permanent damage to the gas valve or "overfire." For natural gas units, operating pressure at the unit gas connection must be between 4.7"W.C. and 11.0"W.C. (1168 Pa and 2735 Pa). For L.P. gas units, operating pressure at the unit gas connection must be between 11.0"W.C. and 13.0"W.C. (2735 Pa and 3232 Pa).

On multiple unit installations, each unit should be checked separately while operating at maximum rate, beginning with the one closest to the supply gas main and progressing to the one furthest from the main. Multiple units should also be tested with and without the other units operating. Supply pressure must fall within the range listed in the previous paragraph.

4-Check and Adjust Manifold Pressure

After line pressure has been checked and adjusted, check manifold pressure. Move test gauge to the outlet pressure tap located on unit gas valve GV1 and or GV3. See figure 16 for location of pressure tap on the gas valve.

The manifold pressure is factory set and should not require adjustment. If manifold pressure is incorrect and no other source of improper manifold pressure can be found, the valve must be replaced. See figure 16 for location of gas valve (manifold pressure) adjustment screw.

The gas valve should completely and immediately cycle off in the event of gas or power failure. The manual shut-off knob can be used to immediately shut off gas supply.

⚠ CAUTION

For safety, connect a shut-off valve between the manometer and the gas tap to permit shut off of gas pressure to the manometer.

Manifold Adjustment Procedure

- 1- Connect test gauge to the outlet pressure tap on the gas valve. Start the unit (call for second stage heat) and allow five minutes for the unit to reach steady state.
- 2- While waiting for the unit to stabilize, notice the flame. The flame should be stable without flashback and should not lift from the burner heads. Natural gas should burn basically blue with some clear streaks. L.P. gas should burn mostly blue with some clear yellow streaks.
- 3- After allowing the unit to stabilize for five minutes, record the manifold pressure and compare to the values given in table 8.

5-High Altitude

Locate the high altitude conversion sticker in the unit literature bag. Fill out the conversion sticker and affix next to the unit nameplate.

Refer to table 18 for high altitude adjustments.

**TABLE 18
HIGH ALTITUDE DERATE**

Altitude Ft.*	Gas Manifold Pressure
2000-4500	See Unit Nameplate
4500 And Above	Derate 2% / 1000 Ft. Above Sea Level

*Units installed at 0-2000 feet do not need to be modified.

NOTE - This is the only permissible derate for these units.

6-Proper Gas Flow

To check for proper gas flow to burners, determine Btuh input from unit rating plate or the gas heating capacity in the SPECIFICATIONS tables. Divide this input rating by the Btuh per cubic foot of available gas. Result is the number of cubic feet per hour required. Determine the flow of gas through gas meter for two minutes and multiply by 30 to get hourly flow of gas to the burners.

NOTE - To obtain accurate reading, shut off all other gas appliances connected to meter.

TABLE 19

Unit (BTU)	Seconds for Natural	Seconds for Propane
260,000	14	35
360,000	10	30
480,000	8	19

7-Heat Exchanger

To Access or Remove Heat Exchanger From Unit:

- 1- Turn off gas and electric power.
- 2- Remove access panel(s) and unit center mullion. Loosen or remove corner mullion if necessary.
- 3- Remove gas valve, manifold assembly and burners.
- 4- Disconnect all wiring (label wiring) from heat section components and remove combustion air inducer and flue box. Pay careful attention to the order in which gaskets and orifice are removed.
- 5- Support heat exchanger (to prevent it from falling when final screws are removed.)
- 6- Remove screws supporting heat exchanger.
- 7- To install heat exchanger, reverse procedure. Be sure to secure all wires and check plumbing and burner plate for airtight seal. Screws must be torqued to 35 in.-lbs. to ensure proper operation.

8-Flame Sensing

Flame current is an electrical current which passes from the ignition control through the sensor electrode during unit operation. The current passes from the sensor through the flame to the ground electrode (located on the flame electrode) to complete a safety circuit. The electrodes should be located so the tips are at least 1/2" (12.7 mm) inside the flame envelope. Do not bend electrodes. To measure flame current, follow the procedure on the following page:

CAUTION

Electrodes are not field adjustable. Any alterations to the electrode may create a hazardous condition that can cause property damage or personal injury.

- 1- Disconnect power to unit.
- 2- Remove lead from sensing electrode and install a 0-50DC microamp meter in series between the sensing electrode and the sensing lead.
- 3- Reconnect power and adjust thermostat for heating demand.
- 4- When flame is established, compare reading to table 20. Do not bend electrodes.
- 5- Disconnect power to unit before disconnecting meter. Make sure sensor wire is securely reconnected before reconnecting power to unit.

TABLE 20

Manufacturer	Nominal Signal Microamps	Drop Out
JOHNSON	0.5 - 1.0	.09

NOTE - If the meter scale reads 0, the leads are reversed. Disconnect power and reconnect leads for proper polarity.

B-Cooling System Service Checks

KGB units are factory charged and require no further adjustment; however, charge should be checked periodically using the approach method. The approach method compares actual liquid temperature with the outdoor ambient temperature. See section IV- CHARGING.

NOTE - When unit is properly charged discharge line pressures should approximate those in tables 9 through 12.

VI-MAINTENANCE

! WARNING



Electric shock hazard. Can cause injury or death. Before attempting to perform any service or maintenance, turn the electrical power to unit OFF at disconnect switch(es). Unit may have multiple power supplies.

! CAUTION

Electrical shock hazard. Turn off power to unit before performing any maintenance, cleaning or service operation on the unit.

! CAUTION

Danger of sharp metallic edges. Can cause injury. Take care when servicing unit to avoid accidental contact with sharp edges.

A-Filters

Units are equipped with six 24 X 24 X 2" filters. Filters should be checked and replaced when necessary with filters of like kind and size. Take note of air flow direction marking on filter frame when reinstalling filters. See figure 24.

NOTE - Filters must be U.L.C. certified or equivalent for use in Canada.

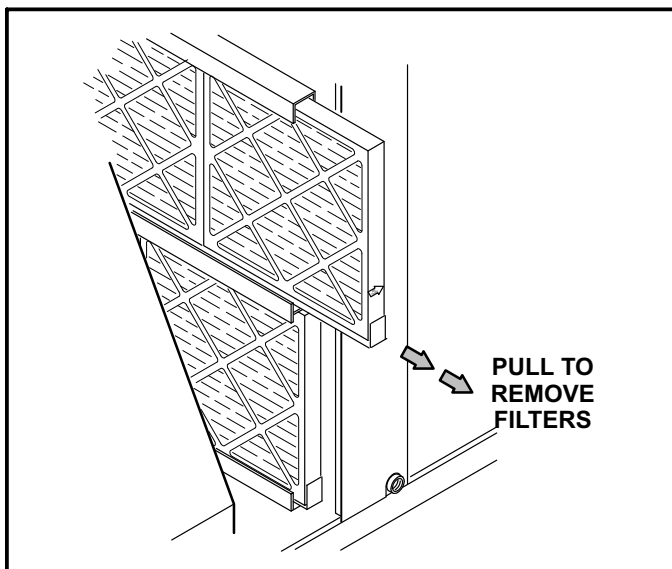


FIGURE 24

B-Lubrication

All motors used in KGB units are factory lubricated, no further lubrication is required.

Blower shaft bearings are prelubricated. For extended bearing life, relubricate at least once every two years with a lithium base grease such as Alvania 3 (Shell Oil), Chevron BRB2 (Standard Oil) or Regal AFB2 (Texas Oil). Use a hand grease gun for lubrication. Add only enough grease to purge through the bearings so that a bead of grease appears at the seal lip contacts.

C-Burners

Periodically examine burner flames for proper appearance during the heating season. Before each heating season examine the burners for any deposits or blockage which may have occurred.

Clean burners as follows:

- 1- Turn off both electrical power and gas supply to unit.
- 2- Remove burner compartment access panel.
- 3- Remove two screws securing burners to burner support and lift the burners from the orifices. See figure 25. Clean as necessary.
- 4- Locate the ignitor under the left burners. Check ignitor spark gap with appropriately sized twist drills or feeler gauges. See figure 26.
- 5- Check the alignment of the ignitor and the sensor as shown in figure 27 and table 21.
- 6- Replace burners and screws securing burner.
- 7- Replace access panel.

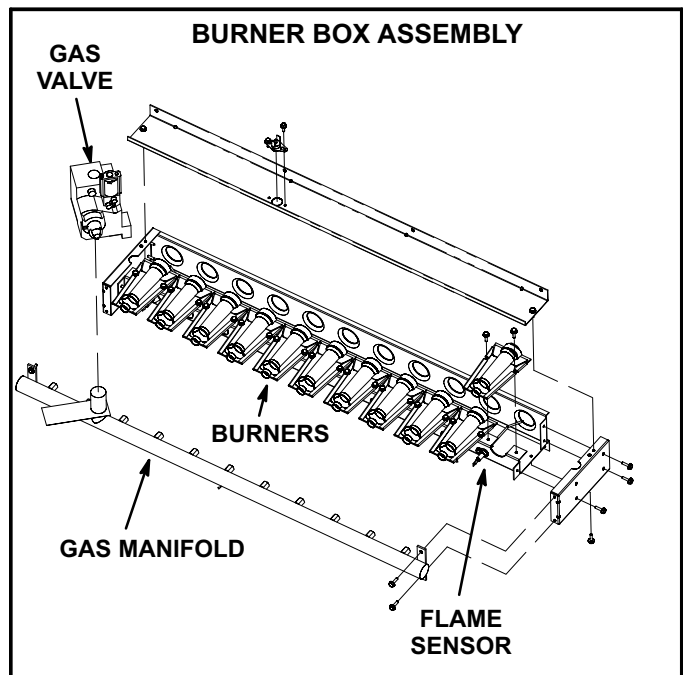


FIGURE 25

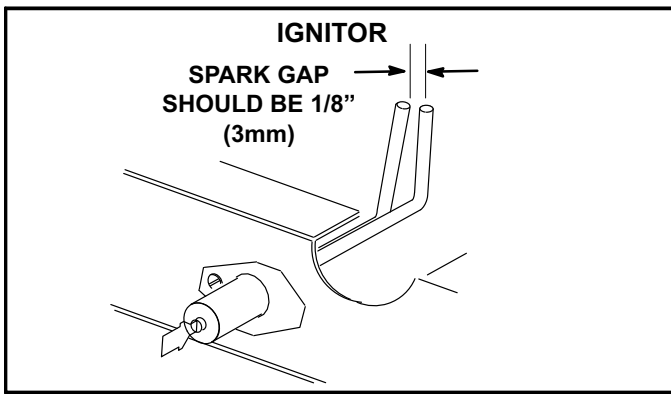


FIGURE 26

TABLE 21
IGNITOR AND SENSOR POSITION

Dimension	Unit Btuh Input	Length - in. (mm)	
		Ignitor	Sensor
A	260K	7-3/4 (197)	11 (279)
B	360K	5 (127)	5-1/2 (140)
C	480K	2-1/4 (57)	2-3/4 (70)

⚠ WARNING



Danger of explosion. Can cause injury or death. Do not overtighten main burner mounting screws. Snug tighten only.

8- Restore electrical power and gas supply. Follow lighting instructions attached to unit and use inspection port in access panel to check flame.

D-Combustion Air Inducer

A combustion air proving switch checks combustion air inducer operation before allowing power to the gas controller. Gas controller will not operate if inducer is obstructed.

Under normal operating conditions, the combustion air inducer wheel should be checked and cleaned prior to the heating season. However, it should be examined periodically during the heating season to establish an ideal cleaning schedule. With power supply disconnected, the condition of the inducer wheel can be determined by looking through the vent opening.

Clean combustion air inducer as follows:

- 1- Shut off power supply and gas to unit.
- 2- Disconnect pressure switch air tubing from combustion air inducer port.
- 3- Remove and retain screws securing combustion air inducer to flue box. Remove and retain two screws from bracket supporting vent connector. See figure 28.
- 4- Clean inducer wheel blades with a small brush and wipe off any dust from housing. Clean accumulated dust from front of flue box cover
- 5- Return combustion air inducer motor and vent connector to original location and secure with retained screws. It is recommended that the combustion air inducer gasket be replaced during reassembly.

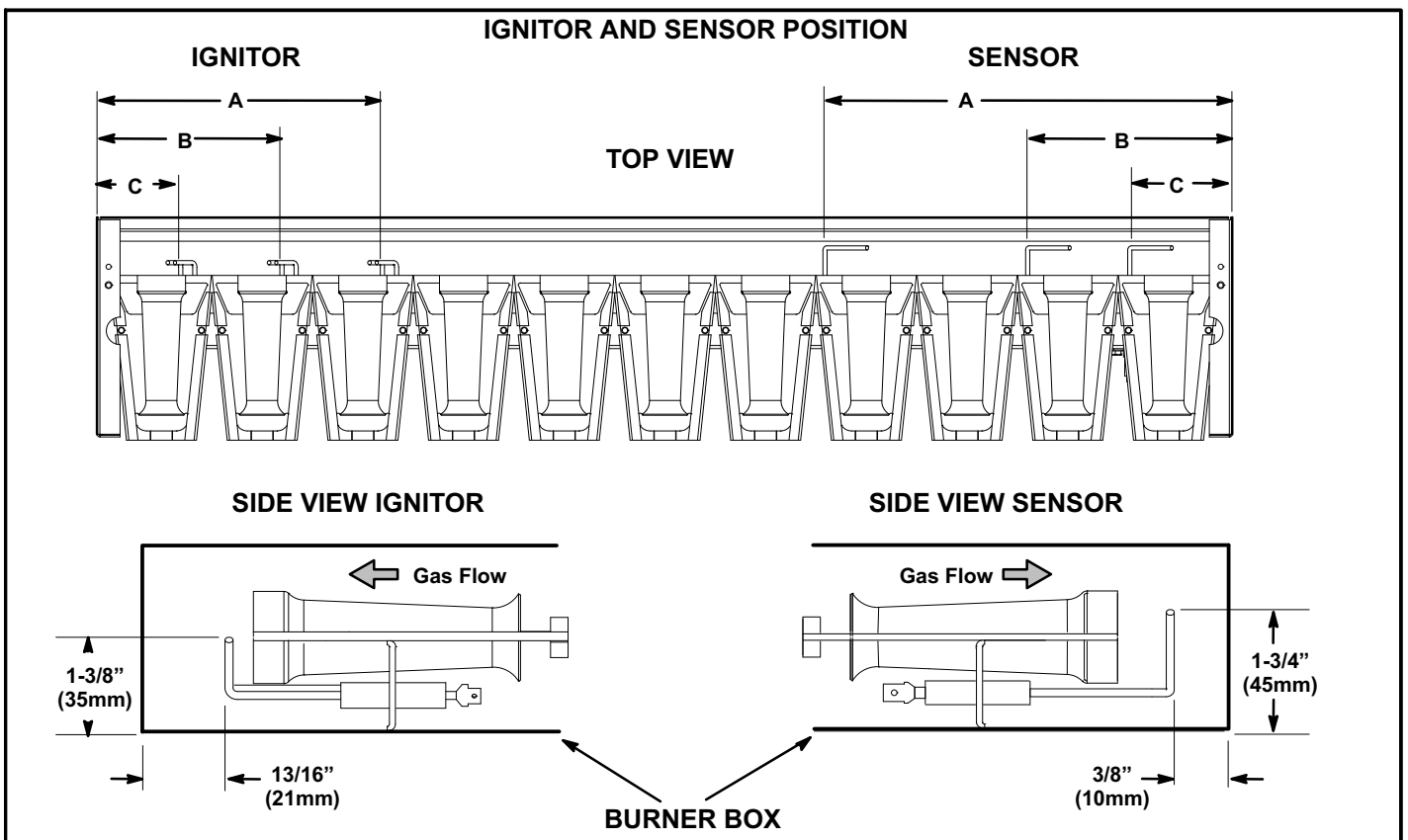


FIGURE 27

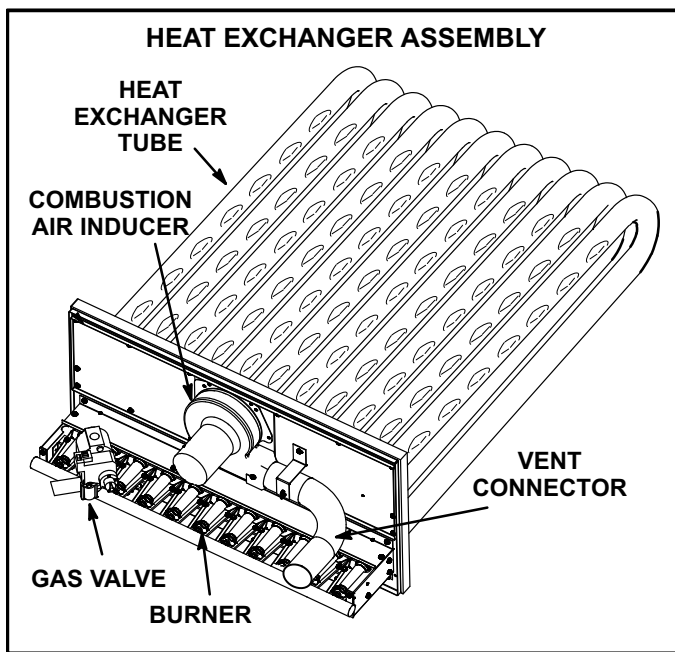


FIGURE 28

E-Flue Passageway and Flue Box

- 1- Remove combustion air inducer assembly as described in section D.
- 2- Remove flue box cover. Clean with a wire brush as required.
- 3- Clean tubes with a wire brush.
- 4- Reassemble the unit. The flue box cover gasket and combustion air inducer gasket should also be replaced during reassembly.

F-Evaporator Coil

Inspect and clean coil at beginning of each cooling season. Clean using mild detergent or commercial coil cleaner. Flush coil and condensate drain with water taking care not to get insulation, filters and return air ducts wet.

G-Condenser Coil

Clean condenser coil annually with detergent or commercial coil cleaner and inspect monthly during the cooling season. Access panels are provided on the front and back of the condenser section.

H-Supply Air Blower Wheel

Annually inspect supply air blower wheel for accumulated dirt or dust. Turn off power before attempting to remove access panel or to clean blower wheel.

I-Electrical

- 1- Check all wiring for loose connections.
- 2- Check for correct voltage at unit (unit operating).
- 3- Check amp-draw on both condenser fan motor and blower motor.

Fan Motor Rating Plate ____ Actual ____

Indoor Blower Motor Rating Plate ____ Actual ____

VII-OPTIONAL ACCESSORIES

The accessories section describes the application of most of the optional accessories which can be installed to the KGB units.

A-C1CURB Mounting Frames

When installing the KGB units on a combustible surface for downflow discharge applications, the C1CURB70C-1 (8-inch), C1CURB71C-1 (14-inch), C1CURB72C-1 (18-inch) or C1CURB73C-1 (24-inch) roof mounting frames are used. For horizontal discharge applications, use C1CURB14C-1 (26-inch) or C1CURB15C-1 (30-inch) roof mounting frames when the unit is installed on a slab. Use C1CURB16C-1 (37-inch) or C1CURB17C-1 (41-inch) roof mounting frames for horizontal rooftop applications. These frames convert the unit from downflow to horizontal air flow. The rooftop frames meet National Roofing Code requirements. The roof mounting frames are recommended in all other applications but not required. If the KGB units are not mounted on a flat (roof) surface, they MUST be supported under all edges and under the middle of the unit to prevent sagging. The units MUST be mounted level within 1/16" per linear foot or 5mm per meter in any direction.

The assembled C1CURB mounting frame is shown in figure 29. Refer to the roof mounting frame installation instructions for details of proper assembly and installation. The roof mounting frame MUST be squared to the roof and leveled before the unit is set on the frame. The plenum system MUST also be installed before the unit is set on the mounting frame. Typical roof curbing and flashing is shown in figure 30. Refer to the roof mounting frame installation instructions for proper plenum construction and attachment.

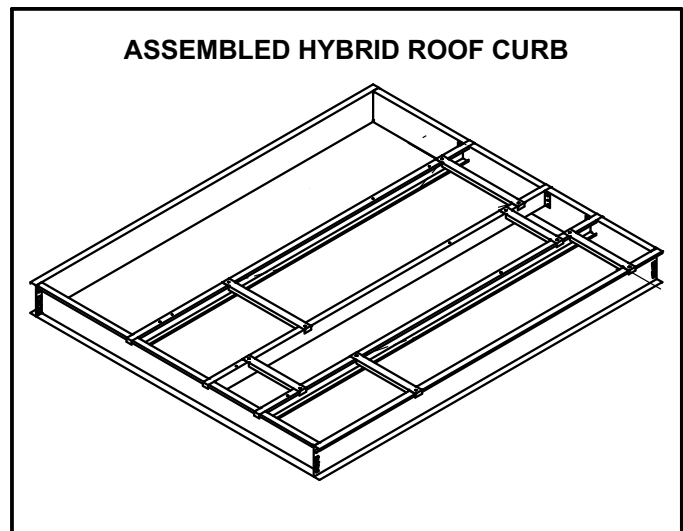


FIGURE 29

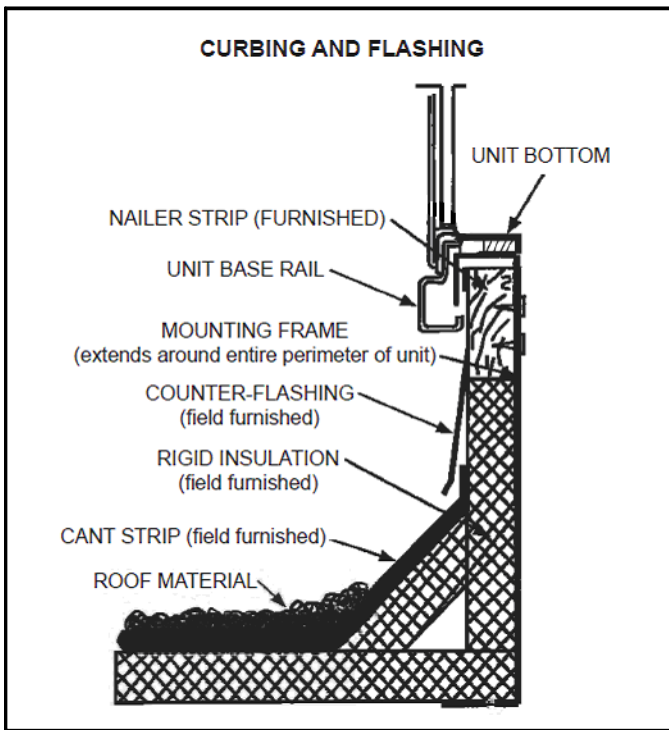


FIGURE 30

B-Transitions

Optional supply/return transitions are available for use with KGB series units installed with the roof mounting frame. Transition C1DIFF33CC-1 is used with the 180S units. Transition C1DIFF34CC-1 is used with the -210s, -240s and -300S units. The transition must be installed in the mounting frame before setting the unit on the frame. Refer to the manufacturer's instructions included with the transition for detailed installation procedures.

C-Supply and Return Diffusers (all units)

Optional flush-mount diffuser/return FD11 and extended-mount diffuser/return RTD11 are available for use with all KGB units. Refer to manufacturer's instructions included with transition for detailed installation procedures.

D-K1ECON20 Standard Economizer & K1ECON22C High Performance Economizer

K1ECON20C Standard Economizer

The standard economizer is equipped with a W7212 economizer control module A6. The default OA temperature sensor is the OA thermostat, S175, provided in this kit. See table 22 for outdoor and return air (OA and RA) sensor options. Refer to instructions provided with sensors for installation

The A6 enthalpy control is located in the economizer access area. See figure 31. The S175 temperature sensor or A7 enthalpy sensor is located on the division panel between horizontal supply and return air sections.

A mixed air sensor (R1) is used in modulating the dampers to 55°F (13°C) blower compartment air temperature.

TABLE 22
STANDARD ECONOMIZER SENSORS

Sensors	Dampers will modulate to 55°F discharge air (RT6) when:
Single OA Sensible	OA temperature (S175) is lower than free cooling setpoint.
Single OA Enthalpy	OA temperature and humidity (A7) is lower than free cooling setpoint.
Differential Enthalpy - 1 in OA and 1 in RA	OA temperature and humidity (A7) is lower than RA temperature and humidity (A62).
IAQ Sensor	CO ₂ sensed (A63) is higher than CO ₂ setpoint.

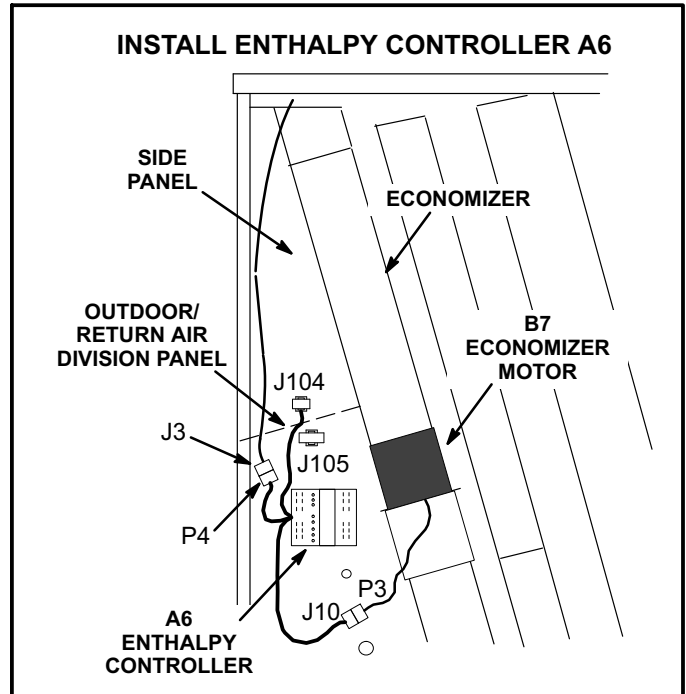


FIGURE 31

An optional IAQ sensor (A63) may be used to lower operating costs by controlling outdoor air based on CO₂ level or room occupancy (also called demand control ventilation or DCV). Damper minimum position can be set lower than traditional minimum air requirements; dampers open to traditional ventilation requirements when CO₂ level reaches DCV (IAQ) setpoint.

Refer to instructions provided with sensors for installation.

A6 Enthalpy Control LEDs

A steady green Free Cool LED indicates that outdoor air is suitable for free cooling.

When an optional IAQ sensor is installed, a steady green DCV LED indicates that the IAQ reading is higher than setpoint requiring more fresh air. See figure 32.

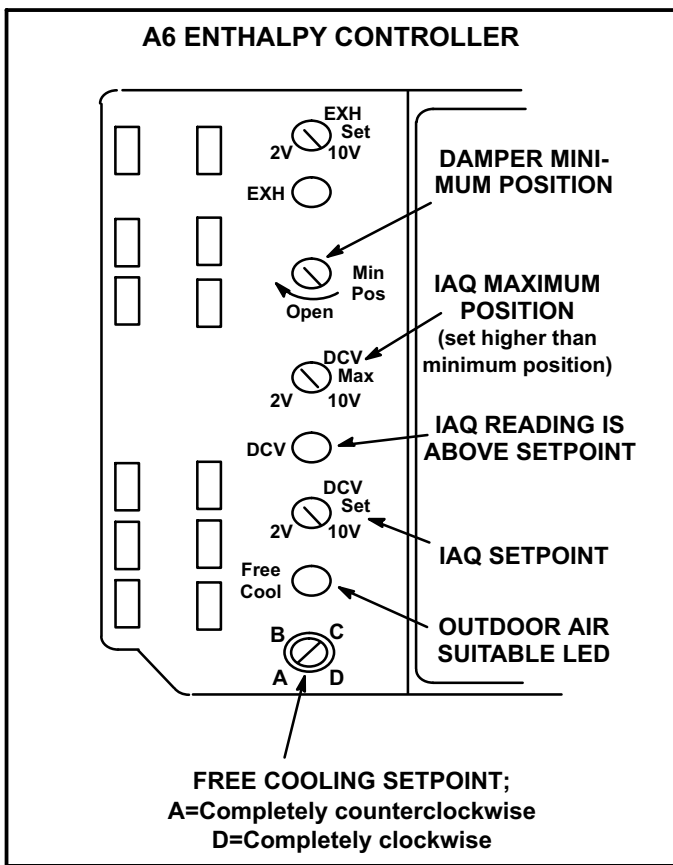


FIGURE 32

Free Cooling Setpoint

Single Temperature or Enthalpy Sensing:

The enthalpy control (A6) setpoint may be adjusted when an enthalpy (A7) sensor is used to determine outdoor air suitability, See figure 32.

Free cooling will be enabled when outdoor air temperature or enthalpy are lower than the free cooling setpoint. The free cooling setpoints for sensible temperature sensors is 55°F. Table 23 shows the free cooling setpoints for enthalpy sensors. Use the recommended setpoint and adjust as necessary.

For example: At setting A (table 23), free cooling will be enabled when outdoor air enthalpy is lower than 73°F and 50% RH. If indoor air is too warm or humid, lower the setpoint to B. At setting B, free cooling will be enabled at 70°F and 50% RH.

**TABLE 23
ENTHALPY FREE COOLING SETPOINTS**

Control Setting	Enthalpy Setpoint At 50% RH
A*	73° F (23° C)
B	70° F (21° C)
C	67° F (19° C)
D	63° F (17° C)

*Setting A is recommended.

Differential Sensing:

Two sensors can be used to compare outdoor air to return air. When outdoor air is cooler than return air, outdoor air is suitable for free cooling. Adjust the free cooling setpoint to “D” in this application.

When return air is cooler than outdoor air, the damper will modulate to the minimum position.

Damper Minimum Position

NOTE - A jumper is factory-installed between TB1 R and OC terminals to maintain occupied status (allowing minimum fresh air). See figure 33. When using an electronic thermostat or energy management system with an occupied/unoccupied feature, remove jumper. Make wire connections to R and OC as shown in literature provided with thermostat or energy management system literature. Either the jumper wire or optional device must be connected to R and OC for the economizer to function.

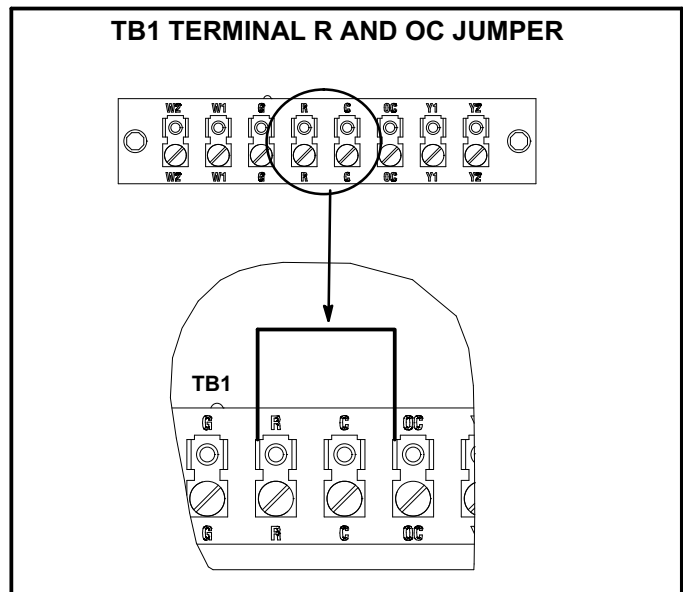
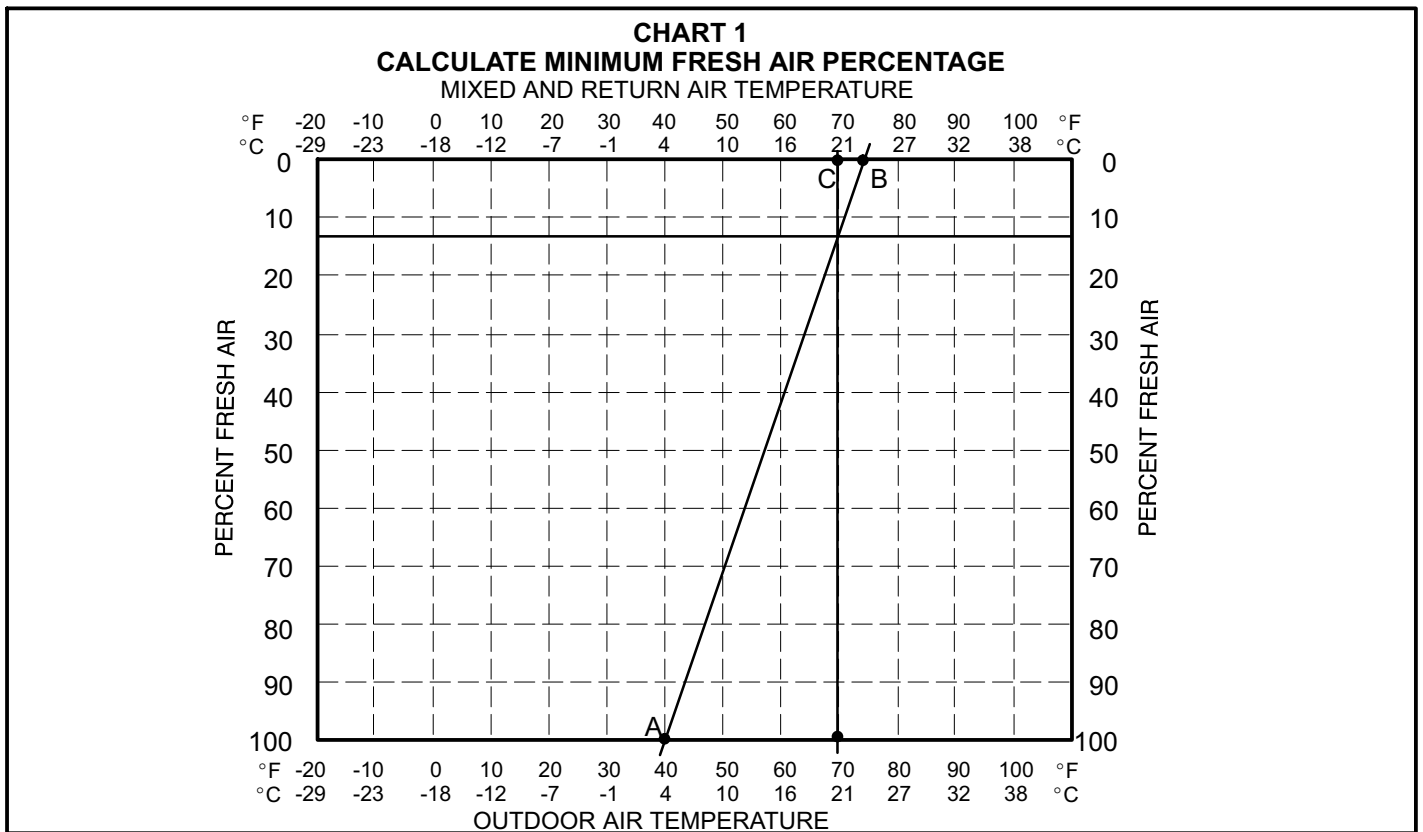


FIGURE 33

- 1- Set thermostat to occupied mode if the feature is available. Make sure jumper is in place between TB1 terminals R and OC if using a thermostat which does not have the feature.
- 2- Rotate MIN POS SET potentiometer to approximate desired fresh air percentage.

NOTE - Damper minimum position can be set lower than traditional minimum air requirements when an IAQ sensor is specified.

- 3- Measure outdoor air temperature. Mark the point on the bottom line of chart 1 and label the point “A” (40°F, 4°C shown).
- 4- Measure return air temperature. Mark that point on the top line of chart 1 figure 34 and label the point “B” (74°F, 23°C shown).



- 5- Measure mixed air (outdoor and return air) temperature. Mark that point on the top line of chart 1 and label point "C" (70°F, 21°C shown).
- 6- Draw a straight line between points A and B.
- 7- Draw a vertical line through point C.
- 8- Draw a horizontal line where the two lines meet. Read the percent of fresh air intake on the side.
- 9- If fresh air percentage is less than desired, adjust MIN POS SET potentiometer clockwise (further open). If fresh air percentage is more than desired, adjust MIN POS SET potentiometer counterclockwise (less open). Repeat steps 3 through 8 until calculation reads desired fresh air percentage.

DCV Set and Max Settings

The DCV SET potentiometer is factory-set at approximately 50% of the potentiometer range. Using a standard 1-2000ppm CO₂ sensor, dampers will start to open when the IAQ sensor reads approximately 1000ppm. Adjust the DCV SET potentiometer to the approximate setting specified by the controls contractor. Refer to figure 32.

The DCV MAX potentiometer is factory-set at approximately 50% of the potentiometer range or 6VDC.

Dampers will open approximately half way when CO₂ rises above setpoint. Adjust the DCV MAX potentiometer to the approximate setting specified by the controls contractor. Refer to figure 32.

NOTE - DCV Max must be set higher than economizer minimum position setting for proper demand control ventilation.

Economizer Operation

When the outdoor air is suitable, dampers will modulate between minimum position and full open to maintain 55°F (12.8°C) supply air.

See table 24 for economizer operation when outdoor air is suitable. See table 25 for economizer operation when outdoor air is NOT suitable.

IAQ Sensor

During the occupied period, dampers will open to DCV MAX when IAQ reading is above setpoint (regardless of thermostat demand or outdoor air suitability). DCV MAX will NOT override damper full-open position. The DCV MAX setting may override damper free cooling position when occupancy is high and outdoor air temperatures are low.

NOTE - R1 senses mixed air temperature below 45°F (7°C), dampers will move to minimum position until mixed air temperature rises to 48°F (9°C).

TABLE 24
ECONOMIZER OPERATION-OUTDOOR AIR IS SUITABLE FOR FREE COOLING – FREE COOL LED “ON”

THERMOSTAT DEMAND	DAMPER POSITION		MECHANICAL COOLING
	UNOCCUPIED	OCCUPIED	
Off	Closed	Closed	No
G	Closed	Minimum	No
Y1	Modulating	Modulating	No
Y2	Modulating	Modulating	Stage 1

TABLE 25
ECONOMIZER OPERATION-OUTDOOR AIR IS NOT SUITABLE FOR FREE COOLING – FREE COOL LED “OFF”

THERMOSTAT DEMAND	DAMPER POSITION		MECHANICAL COOLING
	UNOCCUPIED	OCCUPIED	
Off	Closed	Closed	No
G	Closed	Minimum*	No
Y1	Closed	Minimum*	Stage 1
Y2	Closed	Minimum*	Stage 2

*IAQ sensor can open damper to DCV max.

⚠ IMPORTANT

Remove jumper between R and OC when unit is controlled with a thermostat equipped with a night set-back mode.

K1ECON22C High Performance Economizer

The high performance economizer is equipped with a W7220 control module A6. This application provides low leak, fault detection and diagnostic capabilities. The default OA temperature sensor or high limit sensor (RT26) is a CEC approved, California Title 24 fixed dry bulb device (provided in this kit). See table 26 for outdoor and return air (OA and RA) sensor options. Refer to manufacturer's instructions provided for more details.

The A6 enthalpy control is located in the economizer access area. See figure 31.

TABLE 26
HIGH PERFORMANCE ECONOMIZERS

Sensors	Dampers modulate to maintain 55°F mixed air (R1) when:
Single OA Sensible DEFAULT - approved for CA Title24	OA temperature (RT26) is lower than free cooling setpoint.
Single OA Enthalpy Not approved for CA Title 24	OA temperature and humidity (A7) is lower than free cooling setpoint.
Differential Enthalpy - 1 in OA & 1 in RA Not approved for CA Title 24	OA temperature and humidity (A7) is lower than RA temperature and humidity (A62).
IAQ Sensor	CO ₂ sensed (A63) is higher than CO ₂ setpoint.

FREE COOLING SETPOINT

Single OA Sensible Sensing (Default) -

The default free cooling setpoint or high limit setpoint is 63°F. This means that the outdoor air is suitable for free cooling at 62°F and below and not suitable at 64°F and above. This setpoint is adjustable.

For *California Title 24* compliance, adjust the free cooling setpoint based on:

- The climate zone where the unit is installed. See table 27.
- The setpoint requirement published by the California Energy Commission. See *Section 140.4 - Prescriptive Requirements for Space Conditioning Systems of the 2013 Building Energy Efficiency Standards*.

NOTE - Values in the referenced standard will supersede values listed in table 27.

TABLE 27
FREE COOLING SETPOINT - SINGLE SENSIBLE

Climate Zone	Setpoint
1, 3, 5, 11-16	75°F
2, 4, 10	73°F
6, 8, 9	71°F
7	69°F

To adjust the setpoint, navigate to the “*SETPOINTS*” menu and change the “*DRYBLB SET*” parameter accordingly.

Single OA Enthalpy Sensing (Optional) -

The controller uses enthalpy boundary “curves” for economizing when used with an enthalpy sensor. Refer to the Honeywell installation instruction for details.

Differential Sensing (Optional) -

Two sensors can be used to compare outdoor air to return air. When outdoor air is cooler than return air, outdoor air is suitable for free cooling. When return air is cooler than outdoor air, the damper will modulate to the minimum position.

DAMPER MINIMUM POSITION 5-

NOTE - 24 volts must be provided at unit TB1 terminals **R** and **OC** to enable economizer operation (allowing minimum fresh air). Typically a separately ordered thermostat or energy management system with an occupied/unoccupied output is connected between TB1 **R** and **OC** terminals. The thermostat will provide 24 volts to the A6 economizer control during the occupied time period to enable economizer minimum position. If a device is not used to enable the economizer, install a jumper wire between TB1 terminals **R** and **OC** to maintain minimum position continuously. See figure 33.

UNITS WITH 1-SPEED SUPPLY AIR BLOWER

1. Set thermostat to occupied mode if the feature is available. Make sure jumper is in place between TB1 terminals R and OC if using a thermostat which does not have the feature.
2. Turn on the blower using the thermostat or a jumper between TB1 terminals R and G.
3. Navigate to the "SETPOINTS" menu and select "MIN POS". Adjust value (2-10VDC) to the approximate desired fresh air percentage.

3.0 VDC	- 12% Open Damper
3.5 VDC	- 18% Open Damper
4.0 VDC	- 25% Open Damper
4.5 VDC	- 31% Open Damper
5.0 VDC	- 37% Open Damper
5.5 VDC	- 43% Open Damper
6.0 VDC	- 50% Open Damper

NOTE - Damper minimum position can be set lower than traditional minimum air requirements when an IAQ sensor is specified.

4. Measure outdoor air temperature. Mark the point on the bottom line of chart 1 figure 34 and label the point "A" (40°F, 4°C shown).
5. Measure return air temperature. Mark that point on the top line of chart 1 and label the point "B" (74°F, 23°C shown).
6. Measure mixed air (outdoor and return air) temperature. Mark that point on the top line of chart 1 and label point "C" (70°F, 21°C shown).
7. Draw a straight line between points A and B.
8. Draw a vertical line through point C.
9. Draw a horizontal line where the two lines meet. Read the percent of fresh air intake on the side.

10. Repeat steps 3 through 8 until calculation reads desired fresh air percentage.

If fresh air percentage is less than desired, use the A6 keypad to adjust "MIN POS" values higher (further open). If fresh air percentage is more than desired, adjust "MIN POS" values lower (less open). Repeat steps 3 through 8 until calculation reads desired fresh air percentage.

UNITS WITH 2-SPEED SUPPLY AIR BLOWER

NOTE - AFTER setting minimum positions, set the "VENT SPEED" switch on the VFD control board to "LO". See figure 35. Minimum position potentiometers do not function when the unit is equipped with a W7220 economizer control.

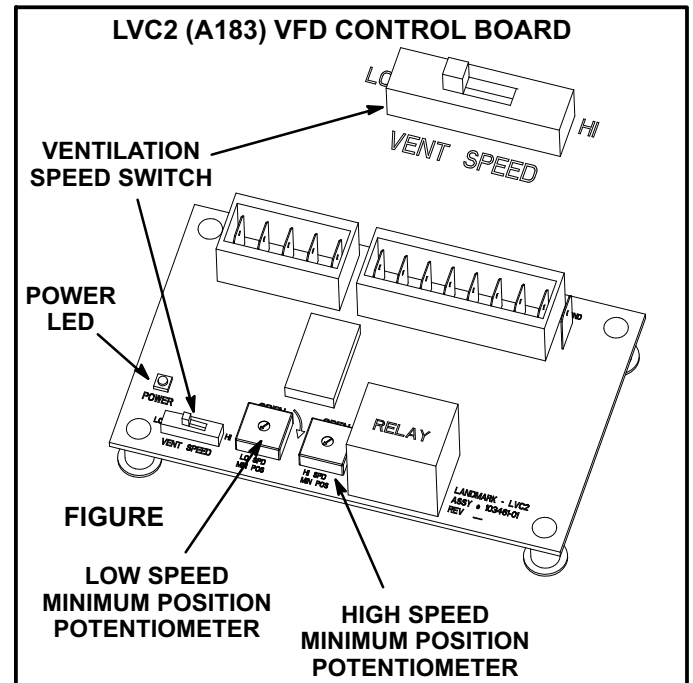


FIGURE 35

1. Set thermostat to occupied mode if the feature is available. Make sure a jumper is in place between TB1 terminals R and OC when using a thermostat which does not have this feature.
2. **Minimum damper position setting - Low Speed** Switch the blower speed setting on the VFD control board to "LO".
3. Turn on the indoor blower using the thermostat or by placing a jumper between TB1 terminals R and G. The inverter or variable frequency drive (VFD) should display "40.00Hz".
4. Navigate to the "SETPOINTS" menu and select "MIN POS L". Adjust value (2-10VDC) to the approximate desired fresh air percentage and save the input.

3.0 VDC	- 12% Open Damper
3.5 VDC	- 18% Open Damper
4.0 VDC	- 25% Open Damper
4.5 VDC	- 31% Open Damper
5.0 VDC	- 37% Open Damper

5.5 VDC - 43% Open Damper

6.0 VDC - 50% Open Damper

NOTE - Damper minimum position can be set lower than traditional minimum air requirements when an IAQ sensor is specified.

5. Navigate to the "CHECKOUT" menu and select "VMAX-LS". Press ←.
6. Display will read "DAMPER VMAX-LS RUN?". Press ←.
7. Damper will drive to the setpoint value stored in step 4..
8. Measure outdoor air temperature. Mark the point on the bottom line of chart 1 figure 34 and label the point "A" (40°F, 4°C shown).
9. Measure return air temperature. Mark that point on the top line of chart 1 and label the point "B" (74°F, 23°C shown).
10. Measure mixed air (outdoor and return air) temperature. Mark that point on the top line of chart 1 and label point "C" (70°F, 21°C shown).
11. Draw a straight line between points A and B.
12. Draw a vertical line through point C.
13. Draw a horizontal line where the two lines meet. Read the percent of fresh air intake on the side.
14. Repeat steps 4 through 13 until calculation reads desired fresh air percentage.

*If fresh air percentage is less than desired, use the A6 keypad to adjust "MIN POS L" values higher (further open).
If fresh air percentage is more than desired, adjust "MIN POS L" values lower (less open).*

15. **Minimum damper position setting - High Speed**
Switch the blower speed setting on the VFD control board to "HI". The VFD should display "60.00HZ".
16. Navigate to the "SETPOINTS" menu and select "MIN POS H". Adjust value (2-10VDC) to the approximate desired fresh air percentage.

3.0 VDC - 12% Open Damper

3.5 VDC - 18% Open Damper

4.0 VDC - 25% Open Damper

4.5 VDC - 31% Open Damper

5.0 VDC - 37% Open Damper

5.5 VDC - 43% Open Damper

6.0 VDC - 50% Open Damper

NOTE - Damper minimum position can be set lower than traditional minimum air requirements when an IAQ sensor is specified.

17. Navigate to the "CHECKOUT" menu and select "VMAX-HS". Press ←.
18. Display will read "DAMPER VMAX-HS RUN?". Press ←.

19. Damper will drive to the setpoint value stored in step 16..
 20. Measure outdoor air temperature. Mark the point on the bottom line of chart 1 and label the point "A" (40°F, 4°C shown).
 21. Measure return air temperature. Mark that point on the top line of chart 1 and label the point "B" (74°F, 23°C shown).
 22. Measure mixed air (outdoor and return air) temperature. Mark that point on the top line of chart 1 and label point "C" (70°F, 21°C shown).
 23. Draw a straight line between points A and B.
 24. Draw a vertical line through point C.
 25. Draw a horizontal line where the two lines meet. Read the percent of fresh air intake on the side.
 26. Repeat steps 16 through 25 until calculation reads desired fresh air percentage.
- If fresh air percentage is less than desired, use the A6 keypad to adjust "MIN POS H" values higher (further open).
If fresh air percentage is more than desired, adjust "MIN POS H" values lower (less open).
27. **Set the "VENT SPEED" switch on the VFD control board to "LO".**

DEMAND CONTROL VENTILATION (DCV) 6-

When a 2-10VDC CO₂ sensor is wired to the controller (leads provided), the DCV SET, VENTMIN, and VENTMAX parameters will appear under "SETPOINTS" menu. Navigate to the "SETPOINTS" menu to adjust setpoints as desired. Refer to the Honeywell manual provided for more details.

E-Outdoor Air Dampers

Outdoor air dampers used on KGB units consist of a set of dampers which may be manually operated (C1DAMP10C-1) or motorized (C1DAMP20C-1) to allow outside air into the system (see figure 36). Either air damper can be installed in KGB units. See outdoor air damper installation instructions for more detail. The motorized damper assembly opens to minimum position during the occupied time period and remains closed during the unoccupied period. Manual damper assembly is set at installation and remains in that position. Washable filter supplied with the outdoor air dampers can be cleaned with water and a mild detergent. It should be sprayed with Filter Handicoater when dry prior to reinstallation. Filter Handicoater is R.P. Products coating no. 418 and is available as Part No. P-8-5069.

Optional manual and motorized outdoor air dampers provide fresh outdoor air.

Follow the steps to determine fresh air percentage

- 1- Measure outdoor air temperature. Mark the point on the bottom line of chart 1 figure 34 and label the point "A" (40°F, 4°C shown).

- 2- Measure return air temperature. Mark that point on the top line of chart 1 figure 34 and label the point "B" (74°F, 23°C shown).
- 3- Measure mixed air (outdoor and return air) temperature. Mark that point on the top line of chart 1 figure 34 and label point "C" (70°F, 21°C shown).
- 4- Draw a straight line between points A and B.
- 5- Draw a vertical line through point C.
- 6- Draw a horizontal line where the two lines meet. Read the percent of fresh air intake on the side.

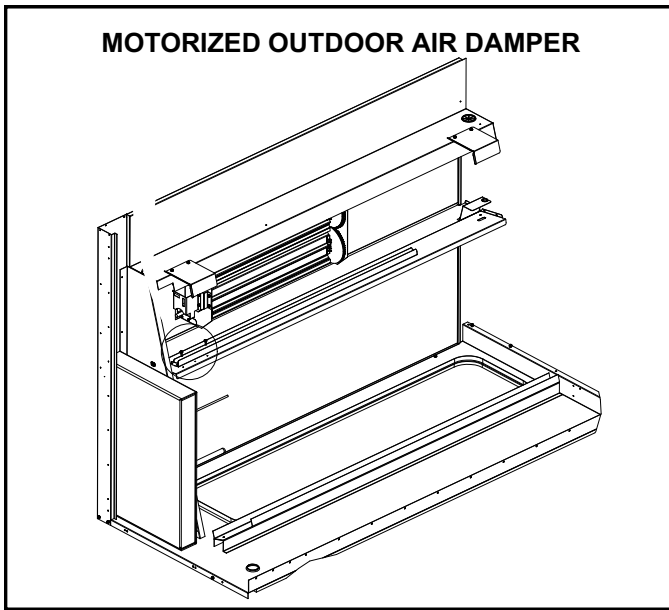


FIGURE 36

- 7- If fresh air percentage is less than desired, adjust thumbwheel higher. If fresh air percentage is more than desired, adjust thumbwheel lower. Repeat steps until calculation reads desired fresh air percentage. See figure 37.

Set damper minimum position in the same manner as economizer minimum position. Adjust motorized damper position using the thumbwheel on the damper motor. See figure 37. Manual damper fresh air intake percentage can be determined in the same manner.

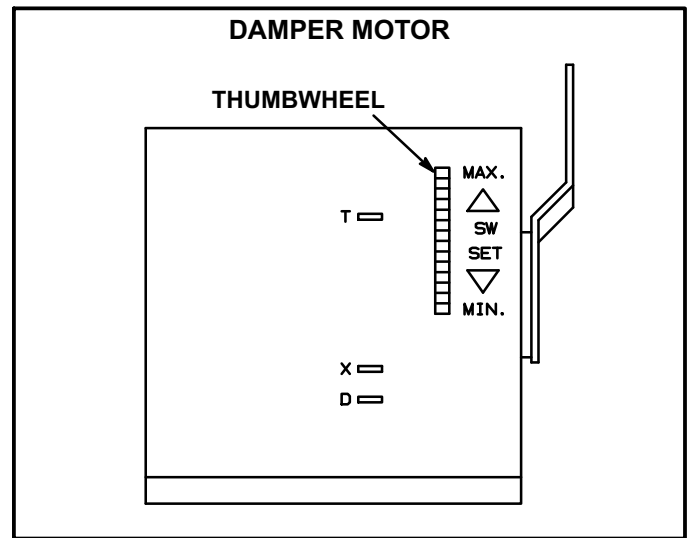


FIGURE 37

F-Barometric Relief Dampers

C1DAMP50 dampers (figure 38) are used in downflow and LAGED(H)18/24 are used in horizontal air discharge applications. LAGED(H) gravity exhaust dampers are installed in the return air plenum. The dampers must be used any time an economizer or power exhaust fans are applied to KGB series units.

Barometric relief dampers allow exhaust air to be discharged from the system when an economizer and/or power exhaust is operating. Barometric relief dampers also prevent outdoor air infiltration during unit off cycle. See installation instructions for more detail.

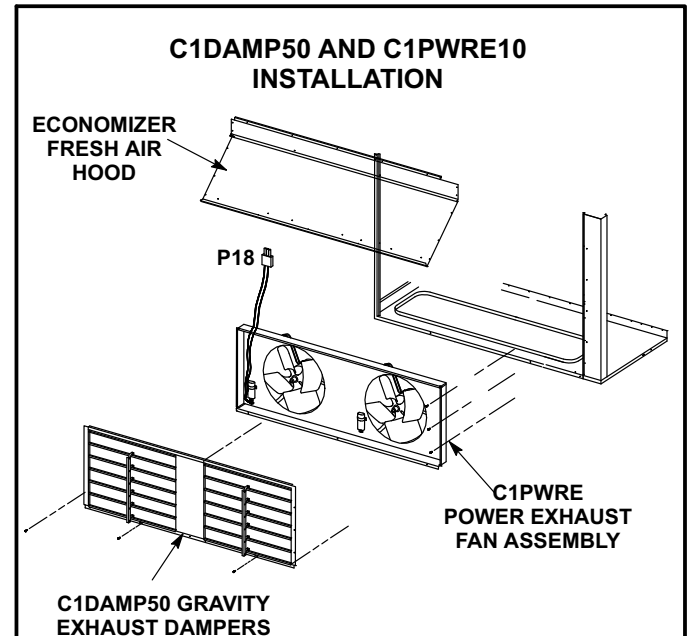


FIGURE 38

G-C1PWRE10C Power Exhaust Fans

Power exhaust fans are used in downflow applications only. The fans require optional downflow barometric relief dampers and K1ECON economizers. Power exhaust fans provide exhaust air pressure relief and also run when return air dampers are closed and supply air blowers are operating. Figure 38 shows the location of the C1PWRE. See installation instructions for more detail.

H-Indoor Air Quality (CO₂) Sensor A63

The indoor air quality sensor monitors CO₂ levels and reports the levels to the economizer control module A6. The board adjusts the economizer dampers according to the CO₂ levels. The sensor is mounted next to the indoor thermostat or in the return air duct. Refer to the indoor air quality sensor installation instructions for proper adjustment.

I- Cold Weather Kit (Canada only)

Electric heater is available to automatically control the minimum temperature in the gas burner compartment. Heater is C.G.A. certified to allow cold weather operation of unit down to -60° F (-50° C).

The kit includes the following parts:

- 1- Transformer (T20) is a 600V to 120/240V step down transformer mounted in the blower compartment.
- 2- T20 has two in-line fuses (F20), one on each leg of the transformer. Both are rated at 15 amps.
- 3- The strip heater (HR6) is located as close as possible to the gas valve. It is wired in series with T20. The strip heater is rated at 500 Watts
- 4- A thermostat mounting box is installed on the vestibule of the heating compartment. Included in the box are the following thermostat switches:
 - a - Thermostat switch (S59) is an auto-reset SPST N.C. switch which opens on a temperature drop. The switch is wired in series with 24v power and the combustion air inducer switch. When the temperature drops below -30° F (-35° C) the switch opens and the gas heat section is de-energized. The switch automatically resets when the heating compartment temperature reaches -10° F (-12° C).
 - b - Thermostat switch (S60) is an auto-reset SPST N.C. switch which opens on a temperature rise. The switch is wired in series with HR6 and T20. When the temperature rises above 20° F (-7° C) the switch opens and the electric heater is de-energized. The switch automatically resets when the heating compartment temperature reaches -10° F (23.3° C).
 - c - Thermostat switch (S61) is an auto-reset SPST N.O. switch which closes on a temperature drop. The switch is wired in series with HR6 and T20. When temperature drops below 20° F (-7° C) the switch closes and electric heater is energized. The switch automatically opens when heating compartment temperature reaches 76° F (24° C).

J-Smoke Detectors A17 and A64

Photoelectric smoke detectors are a field installed option. The smoke detectors can be installed in the supply air section (A64), return air section (A17), or in both the supply and return air section.

K-Control Systems

Three different types of control systems may be used with the KGB series units. All thermostat wiring is connected to terminal block TB1 located in the control box of the unit. Each thermostat has additional control options available. See thermostat installation instructions for more detail.

L-LP / Propane Kit

Units require two (one for each gas heat section) LP kits. The kit includes one gas valve, eleven burner orifices and three stickers. For more detail refer to the natural to LP gas changeover kit installation instructions.

M-UVC Kit

UVC germicidal lamps are a field-installed option. The lamp emits ultraviolet light that greatly reduces the growth and proliferation of mold and other bio-aerosols on illuminated surfaces. The lamp is mounted in the blower compartment with the light directed towards the indoor coil. For more details refer to the installation instructions provided with the UVC lamp.

N-Drain Pan Overflow Switch S149 (optional)

The overflow switch is used to interrupt cooling operation when excessive condensate collects in the drain pan. The N.O. overflow switch is controlled by K220 and DL46 relays, located in the unit control panel. When the overflow switch closes, 24VAC power is interrupted and after a five-second delay unit compressors are de-energized. Once the condensate level drops below the set level, the switch will open. After a five-minute delay the compressor will be energized.

O-Multi-Stage Air Volume Start-Up

A-General

The optional Multi-Stage Air Volume units provide two blower speeds. The blower operates at lower speeds when cooling demand is low and at higher speeds when cooling demand is high. This results in lower energy consumption.

The multi-stage air volume units are set to operate at high speed during ventilation (blower "G" only signal); however, the unit can be adjusted to operate at low speed.

Low speed is approximately 2/3 of the full speed RPM.

B-Set Maximum Blower CFM

- 1- Initiate a blower (G) only signal from the room thermostat or control system.
- 2- Adjust the blower pulley to deliver the full (high speed) CFM in the typical manner. See *Determining Unit CFM* in the Blower Operation and Adjustment section.

C-Set Blower Speed During Ventilation

To save energy during ventilation, the blower speed can be set to low. This is accomplished by changing the ventilation speed switch on the VFD control board to "LO". See figure 39.

NOTE - On units equipped with an economizer, set damper minimum position as shown in the next section. After adjusting the low speed minimum position, the ventilation speed switch will be in the "LO" position.

D-Set Damper Minimum Position (Units W/ Economizer)

To maintain required minimum ventilation air volumes when the unit is in the occupied mode, two minimum damper positions must be set. A high and a low speed potentiometer are provided on the VFD control board to adjust minimum damper position. See figure 39.

Set High Speed Minimum Position

1. Initiate a blower (G) only AND occupied demand from the room thermostat or control system.
2. Set the ventilation speed switch on the VFD control board to "HI".
3. Rotate the high speed potentiometer on the VFD control board to set the high speed minimum damper position.
4. Measure the intake air CFM. If the CFM is lower than the design specified CFM for ventilation air, use the potentiometer to increase the damper percent open. If the CFM is higher than specified, decrease the damper percent open.

NOTE - Intake air CFM can also be determined using the outdoor air temperature, return air temperature and mixed air temperature. Refer to the economizer or outdoor air damper installation instructions.

Set Low Speed Minimum Position

1. Initiate a blower (G) only AND occupied demand from the room thermostat or control system.
2. Set the ventilation speed switch on the VFD control board to "LO".
3. Rotate the low speed potentiometer on the VFD control board to set the low speed minimum damper position.
4. Measure the intake air CFM. If the CFM is lower than the design specified CFM for ventilation air, use the potentiometer to increase the damper percent open. If the CFM is higher than specified, decrease the damper percent open.

NOTE - Intake air CFM can also be determined using the outdoor air temperature, return air temperature and mixed air temperature. Refer to the economizer or outdoor air damper installation instructions.

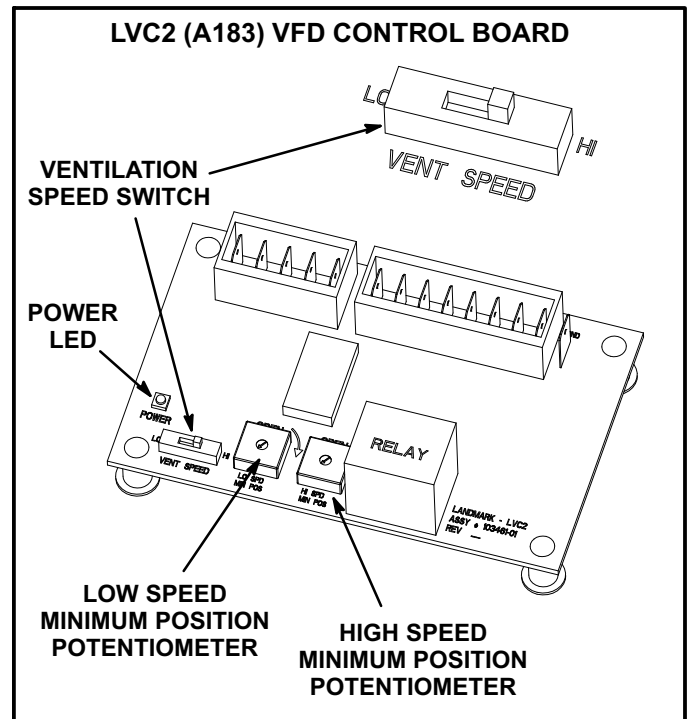


FIGURE 39

Troubleshoot LVC2 Board (A183)

Refer to wiring diagram sections B (unit), C (control) and D (economizer) located on inside of unit panels.

- 1- Inspect the LVC2 for damaged components. Replace the LVC2 if damaged components are found.
- 2- Check all wire connections to LVC2; secure if loose.
- 3- Check for 24VAC signal at the thermostat blower input (G to GND terminal). See figure 40.

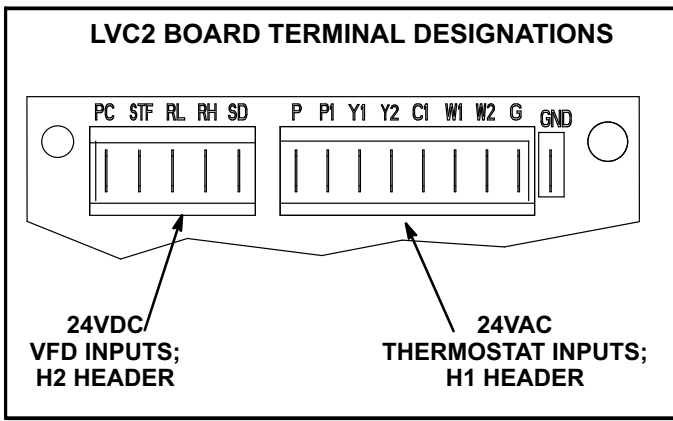


FIGURE 40

- 4- If there is no thermostat signal, troubleshoot back toward the thermostat.
- 5- Check the power LED on the board. See figure 39.
- 6- If the power LED is not on, check voltage between LVC2 terminals PC (H2-1) and SD (H2-5). Voltage should read 24VDC.
- 7- If voltage does not read 24VDC, disconnect the H2 header from the LVC2 VFD inputs terminal block (to make sure the LVC2 is not shorting 24VDC supply from the inverter). Measure the voltage between the end terminals on the H2 header. If 24VDC is present, replace

the LVC2 board. If no voltage is read, troubleshoot the VFD.

- 8- When LVC2 24VAC thermostat blower (G) input and 24VDC power are present, check the LVC2 low and high speed outputs. The LVC2 uses inverse logic to enable the blower; 1VDC will be read at the enabled blower speed terminal. See table 28.
- 9- If all inputs are correct and the unit still does not operate as intended, replace LVC2 board.

**TABLE 28
LVC2 BOARD BLOWER OUTPUTS**

Output Terminals	Voltage	Blower Operation
RL-SD	1VDC	Low Speed
RH-SD	24VDC	
RL-SD	24VDC	High Speed
RH-SD	1VDC	
RL-SD	1VDC	Illegal State (replace board)
RH-SD	1VDC	
RL-SD	24VDC	Blower Off (replace board)
RH-SD	24VDC	

P-Hot Gas Re-Heat Operation

General

Hot gas reheat units provide a dehumidifying mode of operation. These units contain a reheat coil adjacent to and downstream of the evaporator coil. Reheat coil solenoid valves, L14 and L30, route hot discharge gas from the compressor to the reheat coil. Return air pulled across the evaporator coil is cooled and dehumidified; the reheat coil adds heat to supply air.

See figure 41 for 180S, 210S, and 240S reheat refrigerant routing and figure 42 for 180S, 210S, and 240S normal cooling refrigerant routing. See figure 43 for 300S reheat refrigerant routing and figure 44 for 300S normal cooling refrigerant routing.

L14 and L30 Reheat Coil Solenoid Valves

When room conditions close the dehumidistat switch, L14 and L30 reheat valves are energized and refrigerant is routed to the reheat coil.

Check-Out

Test hot gas reheat operation using the following procedure.

- 1- Make sure reheat is wired as shown in wiring section.
- 2- Initiate a dehumidification demand by adjusting dehumidistat setpoint knob **BELOW** indoor relative humidity. The blower, compressor 1 and compressor 2 should be operating.
- 3- End a dehumidification demand by adjusting setpoint knob **ABOVE** indoor relative humidity. The blower, compressor 1, and compressor 2 should deenergize.

Note - When a reheat demand is present, the blower will operate on high speed.

Default Reheat Operation

Reheat will operate as shown in table 29 once three conditions are met:

Blower must be operating.

System must be in occupied mode.

System must NOT be operating in heating mode.

IMPORTANT - Free cooling does not operate during reheat.

**TABLE 29
REHEAT OPERATION**

Two-Stage Thermostat		
T'stat and Humidity Demands	Operation	
	180S, 210S, 240S (3-Compressors)	300S (4-Compressors)
Reheat Only	Compressor 1 & 2 Reheat	Compressor 1 & 2 Reheat
Reheat & Y1	Compressor 1 & 2 Reheat and Compressor 3 Cooling ¹	Compressor 1 & 2 Reheat and Compressor 3 & 4 Cooling ¹
Reheat & Y1 & Y2	Compressor 1, 2, & 3 Cooling ²	Compressor 1, 2, 3 & 4 Cooling ²

*Cooling stage is initiated when zone temperature is higher than the cooling setpoint plus the appropriate stage differential.

**Reheat demand is initiated when relative humidity is higher than relative humidity setpoint.

¹If there is no reheat demand and outdoor air is suitable, free cooling will operate.

²If there is no reheat demand and outdoor air is suitable, free cooling and compressor 1 and 2 will operate.

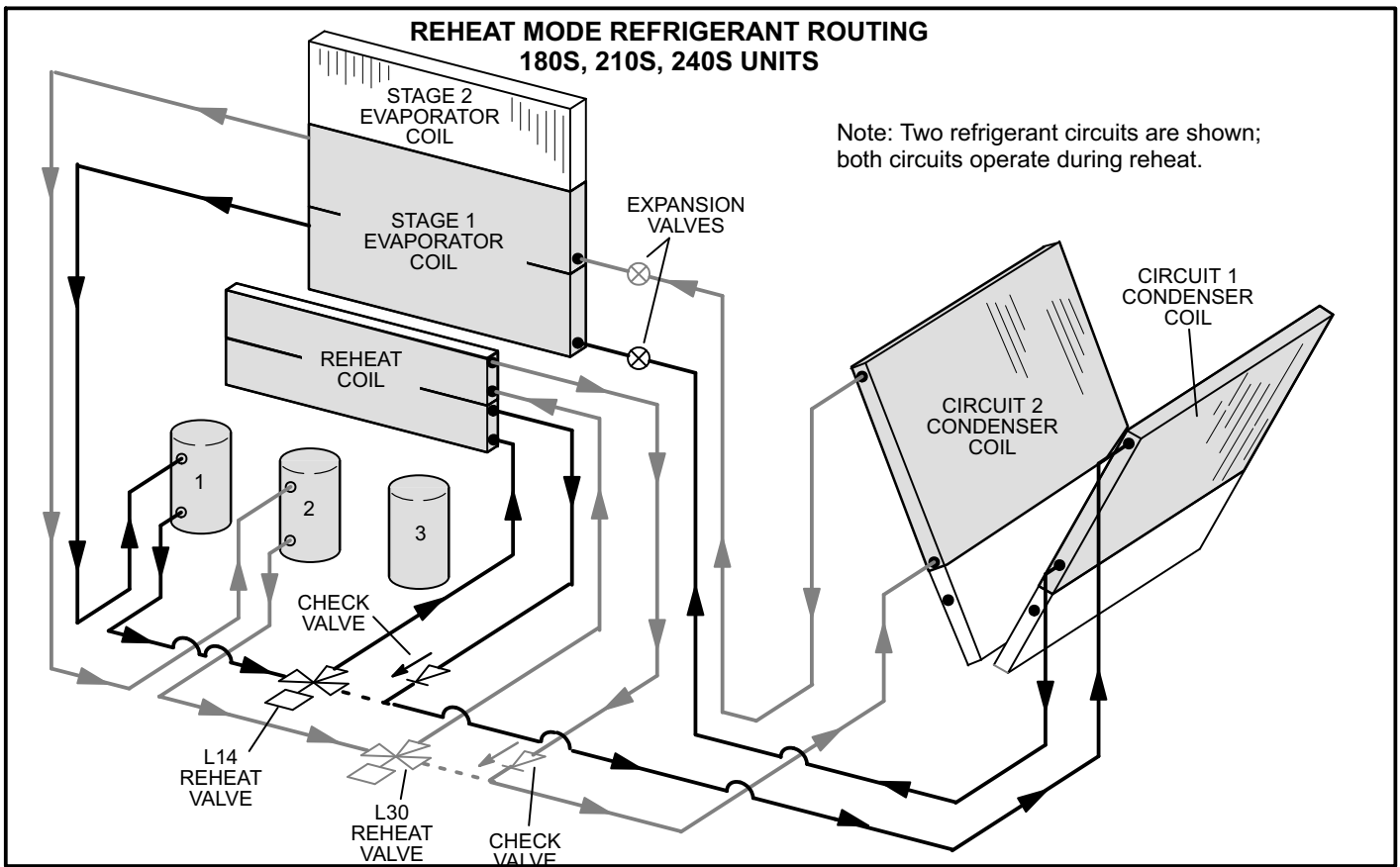


FIGURE 41

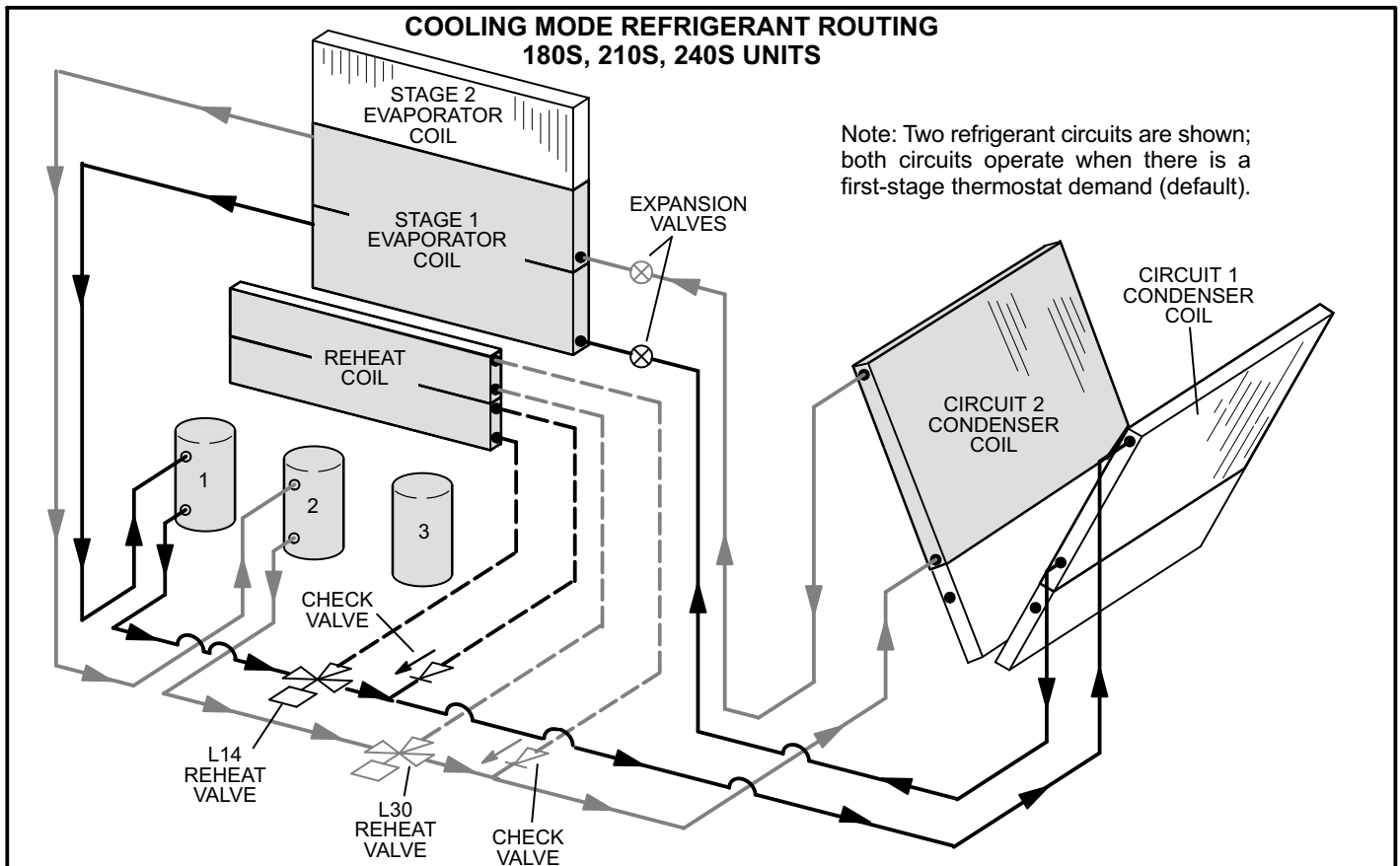


FIGURE 42

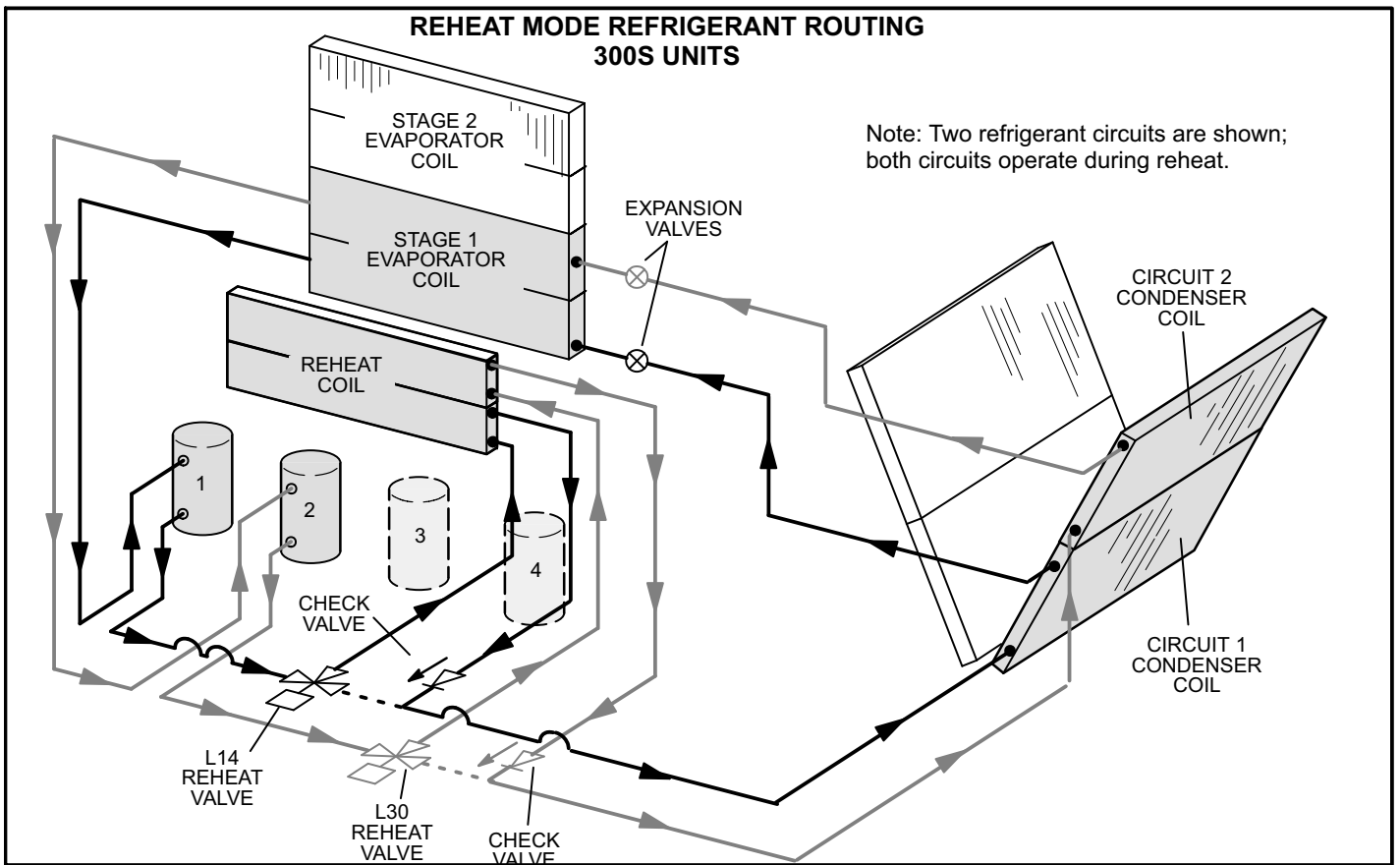


FIGURE 43

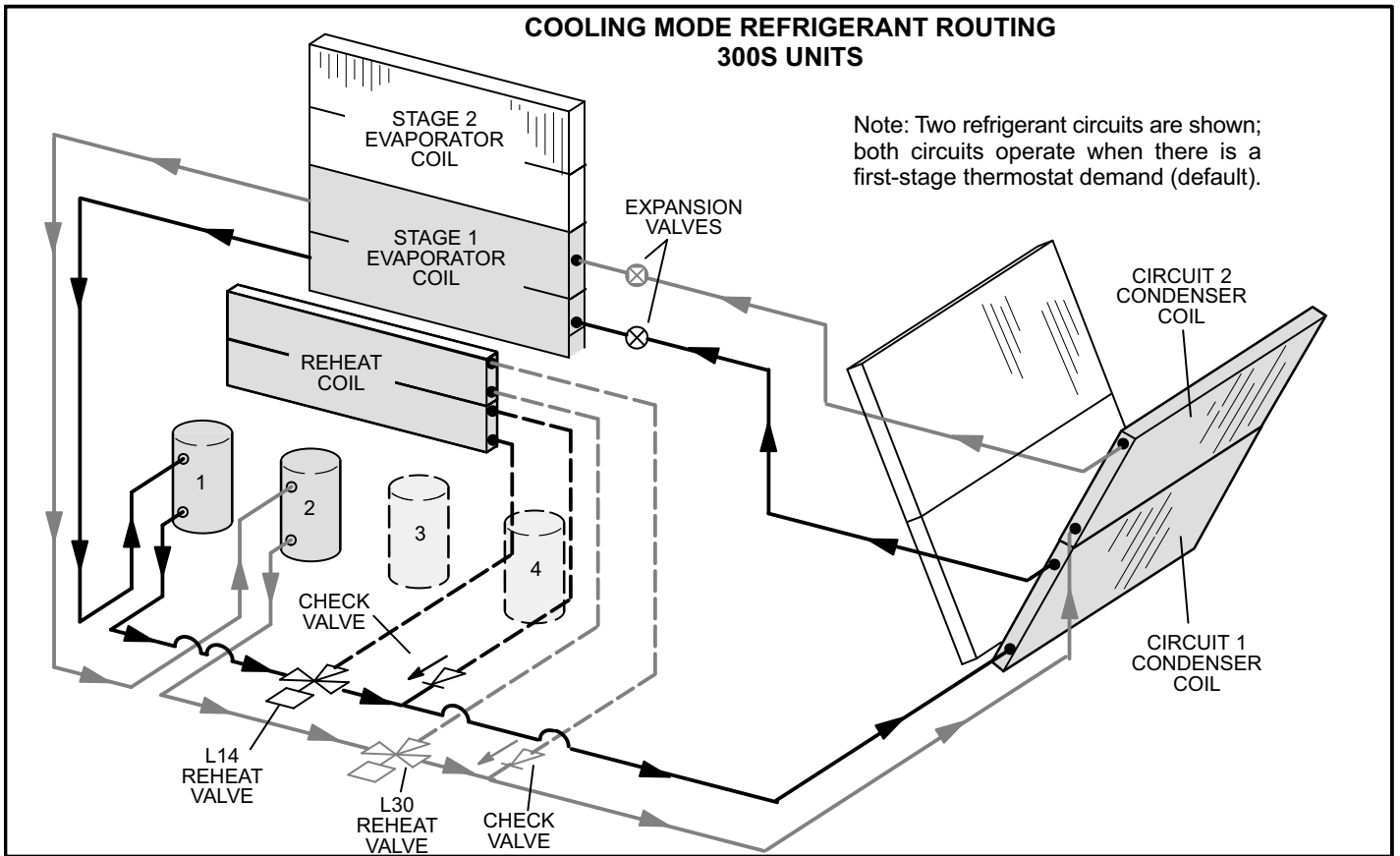
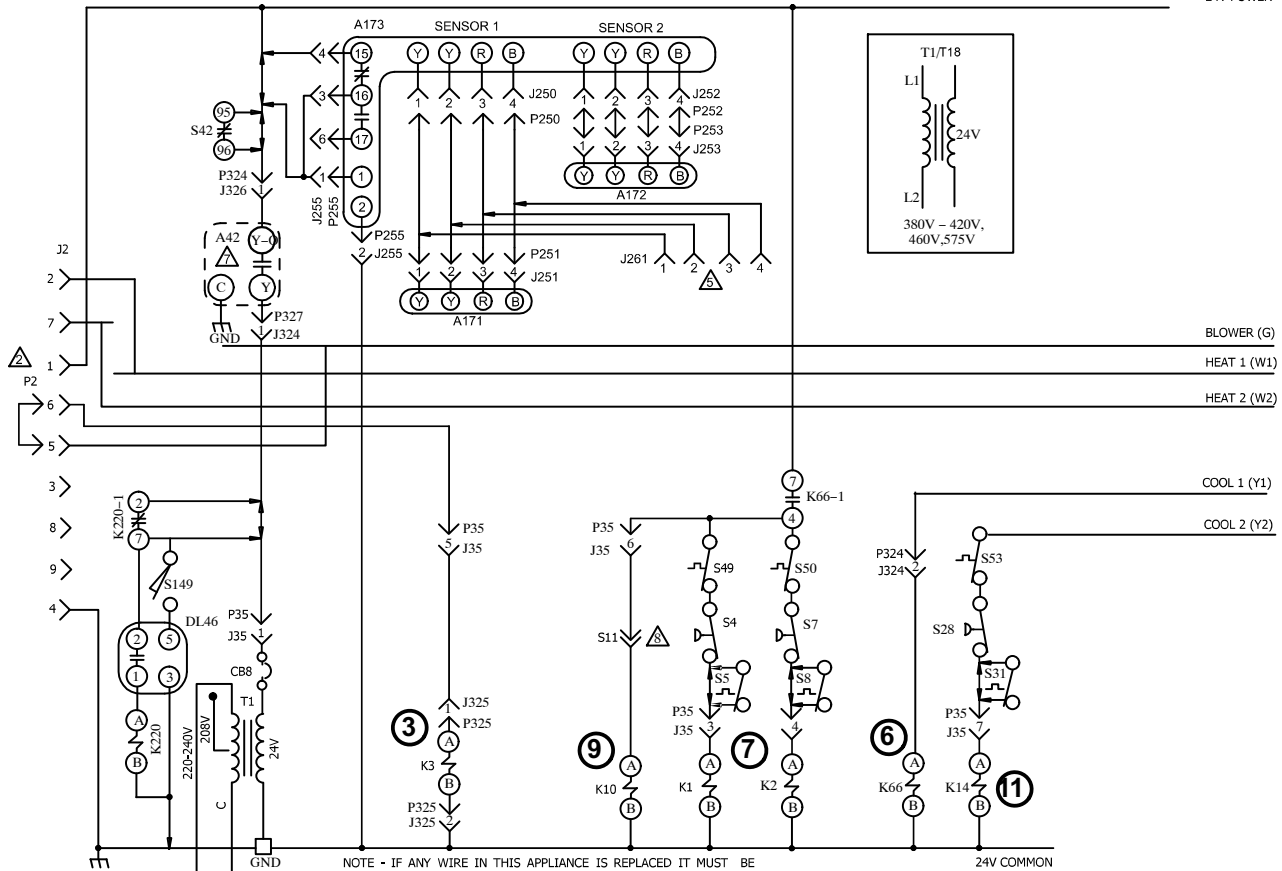


FIGURE 44

VIII-Wiring Diagrams and Sequence of Operation

KGB180S, 210S UNIT DIAGRAM

24V POWER

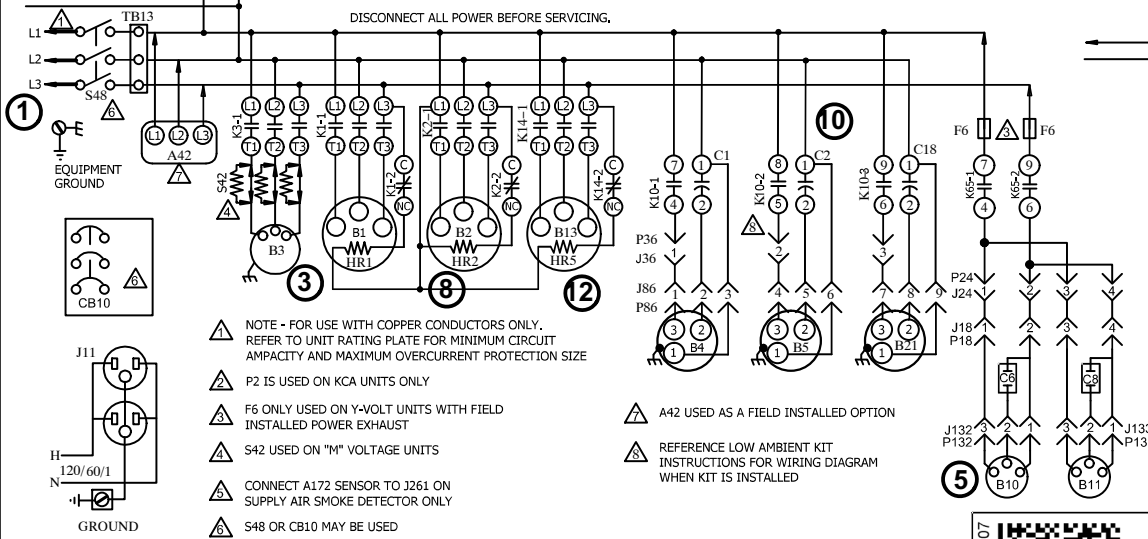


NOTE - IF ANY WIRE IN THIS APPLIANCE IS REPLACED IT MUST BE REPLACED WITH WIRE OF LIKE SIZE, RATING, TERMINATION AND INSULATION THICKNESS

WARNING - ELECTRIC SHOCK HAZARD, CAN CAUSE INJURY OR DEATH UNIT MUST BE GROUNDED IN ACCORDANCE WITH NATIONAL AND LOCAL CODES

DISCONNECT ALL POWER BEFORE SERVICING.

— DENOTES OPTIONAL COMPONENTS
 — LINE VOLTAGE FIELD INSTALLED



NOTE - FOR USE WITH COPPER CONDUCTORS ONLY. REFER TO UNIT RATING PLATE FOR MINIMUM CIRCUIT AMPACITY AND MAXIMUM OVERCURRENT PROTECTION SIZE

P2 IS USED ON KCA UNITS ONLY

F6 ONLY USED ON Y-VOLT UNITS WITH FIELD INSTALLED POWER EXHAUST

S42 USED ON "M" VOLTAGE UNITS

CONNECT A172 SENSOR TO J261 ON SUPPLY AIR SMOKE DETECTOR ONLY

S48 OR CB10 MAY BE USED

A42 USED AS A FIELD INSTALLED OPTION

REFERENCE LOW AMBIENT KIT INSTRUCTIONS FOR WIRING DIAGRAM WHEN KIT IS INSTALLED

2018/07	WIRING DIAGRAM	18/07
537603-05		
COOLING - CAV		
KCB/KGB 180S, 210S, 156H G,J,M,Y		
SECTION B		REV 0
Supersedes	Form No.	
537603-04		537603-05

KGB180S, 210S UNIT DIAGRAM KEY

KEY	COMPONENT DESCRIPTION
A42	MONITOR, PHASE DETECTION
A171	SENSOR ONE, SMOKE, RETURN AIR
A172	SENSOR TWO, SMOKE, SUPPLY AIR
A173	MODULE, CONTROL SMOKE DETECTION
B1	COMPRESSOR 1
B2	COMPRESSOR 2
B3	MOTOR, BLOWER
B4	MOTOR, OUTDOOR FAN 1
B5	MOTOR, OUTDOOR FAN 2
B10	MOTOR, EXHAUST FAN 1
B11	MOTOR, EXHAUST FAN 2

S31	SWITCH, HIGH TEMP LIMIT COMP 3
S42	SWITCH, OVERLOAD BLOWER MOTOR
S48	SWITCH, DISCONNECT
S49	SWITCH, FREEZESTAT COMP 1
S50	SWITCH, FREEZESTAT COMP 2
S53	SWITCH, FREEZESTAT COMP 3
S149	SWITCH, OVERFLOW
T1	TRANSFORMER, CONTROL
T18	TRANSFORMER, REHEAT
TB13	TERMINAL STRIP, POWER DISTRIBUTION

B13	COMPRESSOR 3
B21	MOTOR, OUTDOOR FAN 3
C1	CAPACITOR, OUTDOOR FAN 1
C2	CAPACITOR, OUTDOOR FAN 2
C6	CAPACITOR, EXHAUST FAN 1
C8	CAPACITOR, EXHAUST FAN 2
C18	CAPACITOR, OUTDOOR FAN 3
CB8	CIRCUIT, BREAKER T1
CB10	CIRCUIT, BREAKER MAIN DISCONNECT
DL46	DELAY, OVERFLOW SWITCH
HR1	HEATER, COMPRESSOR 1
HR2	HEATER, COMPRESSOR 2
HR5	HEATER, COMPRESSOR 3
J11	GFI RECEPTACLE
K1,-1,2	CONTACTOR, COMPRESSOR 1
K2,-1,2	CONTACTOR, COMPRESSOR 2
K3,-1	CONTACTOR, BLOWER
K10,-1,2,3	RELAY, OUTDOOR FAN S
K14,-1,2	CONTACTOR, COMPRESSOR 3
K65,-1,2	RELAY, EXHAUST FAN 1
K66,-1	RELAY, STAGE COOL 1
K220,-1	RELAY, OVERFLOW SWITCH
S4	SWITCH, LIMIT HI PRESS COMP 1
S5	SWITCH, HIGH TEMP LIMIT COMP 1
S7	SWITCH, LIMIT HI PRESS COMP 2
S8	SWITCH, HIGH TEMP LIMIT COMP 2
S11	LOW AMBIENT KIT CONNECTION
S28	SWITCH, LIMIT HI PRESS COMP 3

J/P	JACK/PLUG DESCRIPTION
2	HEAT
18	EXHAUST FAN COMPT
24	EXHAUST FAN
35	RUN TEST
36	RUN TEST OUTDOOR FANS
86	OUTDOOR FANS 1,2,3
132	BLOWER , EXHAUST FAN MOTOR 1
133	BLOWER , EXHAUST FAN MOTOR 2
250	SMOKE DETECTOR ONE
251	SMOKE DETECTOR ONE
252	SMOKE DETECTOR TWO
253	SMOKE DETECTOR TWO
255	MODULE, CONTROL SMOKE DETECTION
261	SMOKE DETECTOR JUMPER
324	VFD OPTION CONNECTION
325	K3 BLOWER CONTROL
326	PHASE MONITOR/ VFD CONTROL ADD ON
327	PHASE MONITOR/ VFD CONTROL.ADD ON

KGB180S, 210S SEQUENCE OF OPERATION

Power:

- 1- Line voltage from unit disconnect S48 or TB13 energizes transformer T1 and T18. T1 and T18 provide 24VAC to the unit cooling, heating and blower controls and TB1.

Blower Operation:

- 2- Demand from thermostat terminal G energizes blower contactor K3 with 24VAC.
- 3- N.O. K3 closes, energizing blower B3.

Optional Power Exhaust Operation:

- 4- The economizer control module receives a demand and energizes exhaust fan relay K65 with 24VAC at 50% outside air damper open (adjustable).
- 5- N.O. K65-1 and N.O. K65-2 both close, energizing exhaust fan motors B10 and B11.

1st Stage Cooling (compressor B1 and B2)

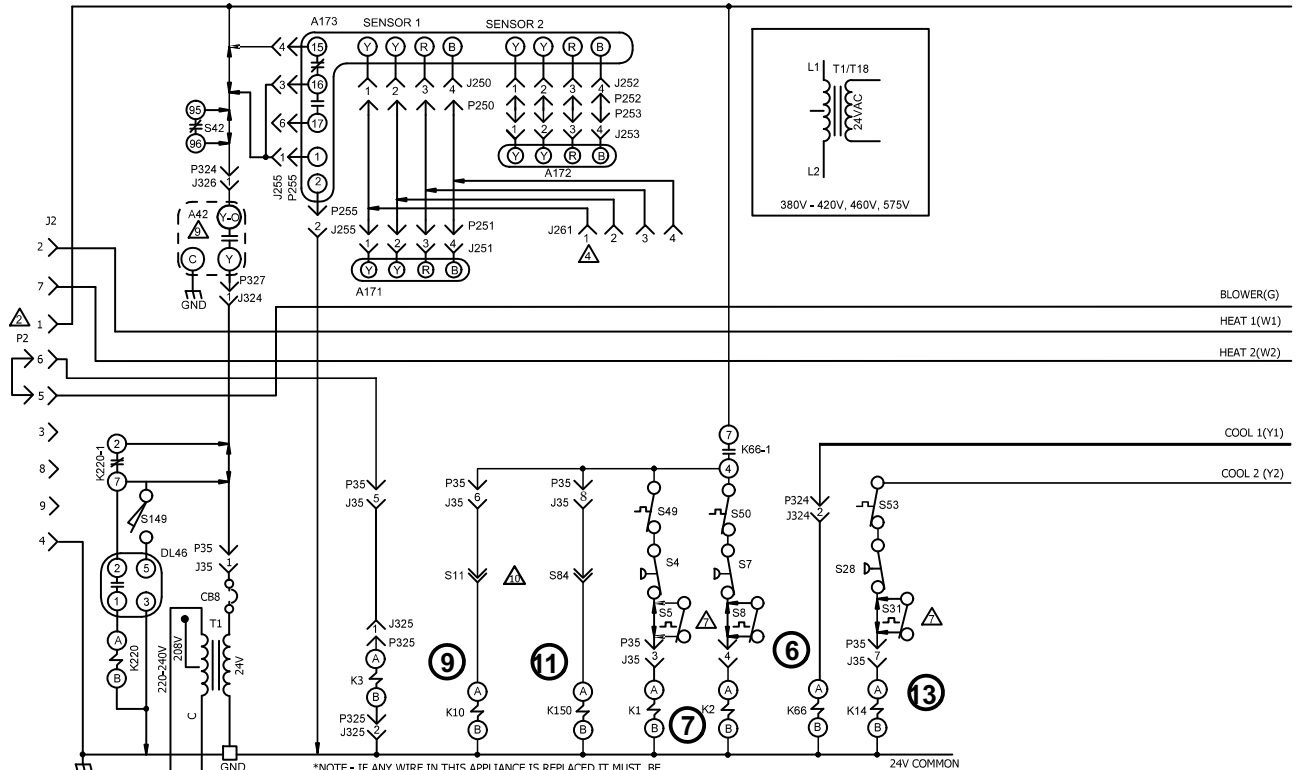
- 6- Y1 energizes the pilot relay K66 and N.O. K66-1 closes.
- 7- 24VAC is routed from T1 to N.C. freezestats S49 and S50 and N.C. high pressure switch S4 and S7. Compressor contactors K1 and K2 are energized.
- 8- N.O. contacts K1 and K2 close energizing compressors B1 and B2.
- 9- Optional N.O. low ambient switch S11 closes to energize condenser fan relay K10.
- 10- N.O. contacts K10-1, K10-2, and K10-3 close energizing condenser fan B4, B5 and B21.

2nd Stage Cooling (compressor B13 is energized)

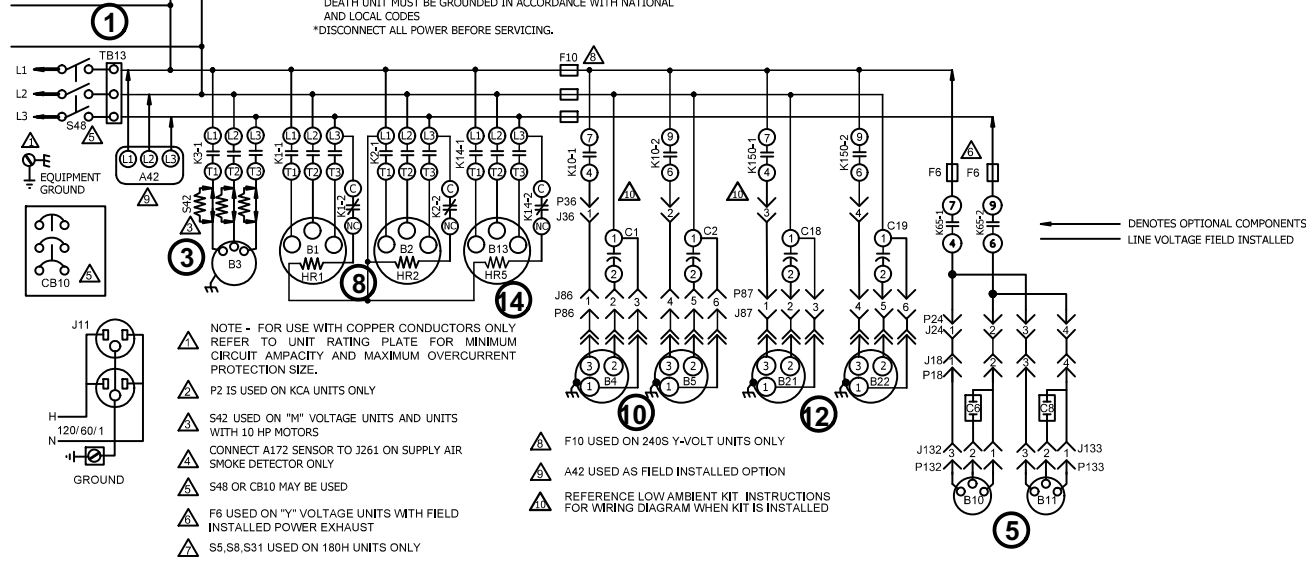
- 11- Y2 energizes the compressor contactor K14.
- 12- N.O. K14 closes energizing compressor B13.

KGB240S UNIT DIAGRAM

24V POWER




*NOTE - IF ANY WIRE IN THIS APPLIANCE IS REPLACED IT MUST BE REPLACED WITH WIRE OF LIKE SIZE, RATING, TERMINATION AND INSULATION THICKNESS
 *WARNING - ELECTRIC SHOCK HAZARD, CAN CAUSE INJURY OR DEATH UNIT MUST BE GROUNDED IN ACCORDANCE WITH NATIONAL AND LOCAL CODES
 *DISCONNECT ALL POWER BEFORE SERVICING.



- NOTE - FOR USE WITH COPPER CONDUCTORS ONLY REFER TO UNIT RATING PLATE FOR MINIMUM CIRCUIT AMPACITY AND MAXIMUM OVERCURRENT PROTECTION SIZE.
- ▲ P2 IS USED ON KCA UNITS ONLY
- ▲ S42 USED ON "M" VOLTAGE UNITS AND UNITS WITH 10 HP MOTORS
- ▲ CONNECT A172 SENSOR TO J261 ON SUPPLY AIR SMOKE DETECTOR ONLY
- ▲ S48 OR CB10 MAY BE USED
- ▲ F6 USED ON "Y" VOLTAGE UNITS WITH FIELD INSTALLED POWER EXHAUST
- ▲ S5, S8, S31 USED ON 180H UNITS ONLY
- ▲ F10 USED ON 240S Y-VOLT UNITS ONLY
- ▲ A42 USED AS FIELD INSTALLED OPTION
- ▲ REFERENCE LOW AMBIENT KIT INSTRUCTIONS FOR WIRING DIAGRAM WHEN KIT IS INSTALLED

← DENOTES OPTIONAL COMPONENTS LINE VOLTAGE FIELD INSTALLED

2018/07		WIRING DIAGRAM 537586-04	18/07
COOLING - CAV			
KCA/KGA - 180H - G,J,M,Y KCB/KGB - 240S - G,J,M,Y			
SECTION B			REV 1
Supersedes 537586-03		Form No. 537586-04	

KGB240S UNIT DIAGRAM KEY

KEY	COMPONENT
A42	MONITOR, PHASE PROTECTION
A171	SENSOR ONE, SMOKE, RETURN AIR
A172	SENSOR TWO, SMOKE, SUPPLY AIR
A173	MODULE, CONTROL SMOKE DETECTION
B1	COMPRESSOR 1
B2	COMPRESSOR 2
B3	MOTOR, BLOWER
B4	MOTOR, OUTDOOR FAN 1
B5	MOTOR, OUTDOOR FAN 2
B10	MOTOR, EXHAUST FAN 1
B11	MOTOR, EXHAUST FAN 2
B13	COMPRESSOR 3

S4	SWITCH, LIMIT HI PRESS COMP 1
S5	SWITCH, LIMIT HI TEMP LIMIT COMP 1
S7	SWITCH, LIMIT HI PRESS COMP 2
S8	SWITCH, LIMIT HI TEMP LIMIT COMP 2
S11	LOW AMBIENT KIT CONNECTION
S28	SWITCH, LIMIT HI PRESS COMP 3
S31	SWITCH, HI TEMP LIMIT COMP 3
S42	SWITCH, OVERLOAD RELAY BLOWER MOTOR
S48	SWITCH, DISCONNECT
S49	SWITCH, FREEZESTAT COMP 1
S50	SWITCH, FREEZESTAT COMP 2
S53	SWITCH, FREEZESTAT COMP 3
S84	LOW AMBIENT KIT CONNECTION

B21	MOTOR, OUTDOOR FAN 3
B22	MOTOR, OUTDOOR FAN 4
C1	CAPACITOR, OUTDOOR FAN 1
C2	CAPACITOR, OUTDOOR FAN 2
C6	CAPACITOR, EXHAUST FAN 1
C8	CAPACITOR, EXHAUST FAN 2
C18	CAPACITOR, OUTDOOR FAN 3
C19	CAPACITOR, OUTDOOR FAN 4
CB8	CIRCUIT, BREAKER T1
CB10	CIRCUIT, BREAKER MAIN DISCONNECT
DL46	DELAY, OVERFLOW SWTCH
HR1	CRANKCASE HEATER, COMPRESSOR 1
HR2	CRANKCASE HEATER, COMPRESSOR 2
HR5	CRANKCASE HEATER, COMPRESSOR 3
F6	FUSE, EXHAUST FANS
F10	FUSE, OUTDOOR FANS
J11	JACK, GFI, RECEPTICLE
K1,-1,2	CONTACTOR, COMPRESSOR 1
K2,-1,2	CONTACTOR, COMPRESSOR 2
K3,-1	CONTACTOR, BLOWER
K10,-1,2	RELAY, OUTDOOR FAN
K14,-1,2	CONTACTOR, COMPRESSOR 3
K65-1,2	RELAY, EXHAUST FAN 1
K66-1	RELAY, STAGE COOL 1
K150,-1,2	RELAY, OUTDOOR FAN 3, 4
K220,-1	RELAY, OVERFLOW SWITCH

S149	SWITCH, OVERFLOW
T1	TRANSFORMER, CONTROL
T18	TRANSFORMER, REHEAT CONTROL
TB13	TERMINAL BLOCK, POWER DISTRIBUTION

J/P	JACK/PLUG DESCRIPTION
2	HEAT
18	EXHAUST FAN COMPT
24	EXHAUST FAN
35	RUN TEST
36	RUN TEST OUTDOOR FANS
86	OUTDOOR FANS 1, 2
87	OUTDOOR FANS 3, 4
132	BLOWER , EXHAUST FAN MOTOR 1
133	BLOWER , EXHAUST FAN MOTOR 2
250	SMOKE DETECTOR ONE
251	SMOKE DETECTOR ONE
252	SMOKE DETECTOR TWO
253	SMOKE DETECTOR TWO
255	MODULE, CONTROL SMOKE DETECTION
261	SMOKE DETECTOR JUMPER
324	VFD OPTION CONNECTION
325	K3 BLOWER CONTROL
326	PHASE MONITOR/ VFD CONTROL ADD ON
327	PHASE MONITOR/ VFD CONTROL ADD ON

KGB240S SEQUENCE OF OPERATION

Power:

- 1- Line voltage from unit disconnect S48 or TB13, energizes transformer T1 and T18. T1 and T18 provide 24VAC to the unit cooling, heating and blower controls and TB1.

Blower Operation:

- 2- Demand from thermostat terminal G energizes blower contactor K3 with 24VAC.
- 3- N.O. K3 closes, energizing blower B3.

Optional Power Exhaust Operation:

- 4- The economizer control module receives a demand and energizes exhaust fan relay K65 with 24VAC at 50% outside air damper open (adjustable).
- 5- N.O. K65-1 and N.O. K65-2 both close, energizing exhaust fan motors B10 and B11.

1st Stage Cooling (compressor B1 and B2)

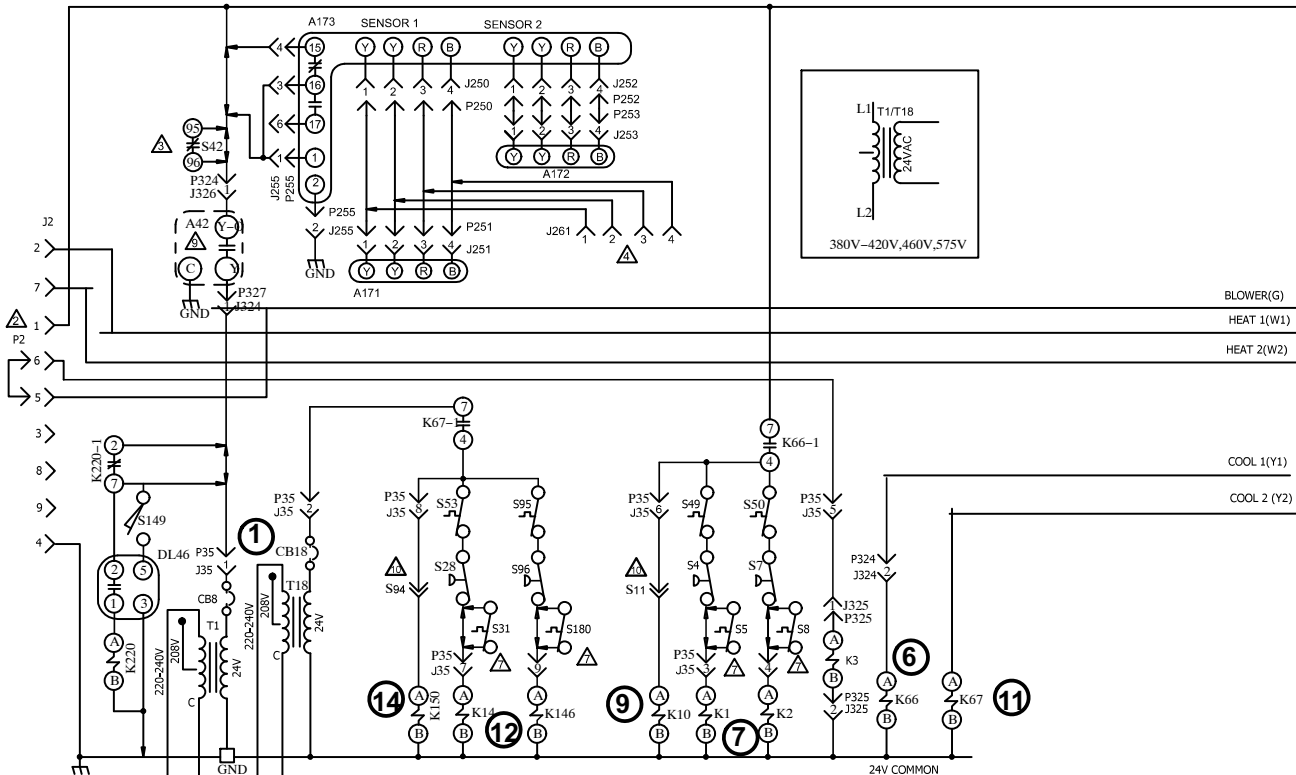
- 6- Y1 energizes the pilot relay K66 and N.O. K66-1 closes.
- 7- 24VAC is routed from T1 to N.C. freezestats S49 and S50 and N.C. high pressure switches S4 and S7. Compressor contactor K1 and K2 is energized.
- 8- N.O. contacts K1 and K2 closes energizing compressor B1 and B2.
- 9- Optional N.O. low ambient switch S11 closes to energize condenser fan relay K10.
- 10- N.O. contacts K10-1 and K10-2 close energizing condenser fan B4 and B5.
- 11- Optional N.O. low ambient switch S84 closes to energize condenser fan relay K150.
- 12- N.O. contacts K150-1 and K150-2 close energizing condenser fan B21 and B22.

2nd Stage Cooling (compressor B13 is energized)

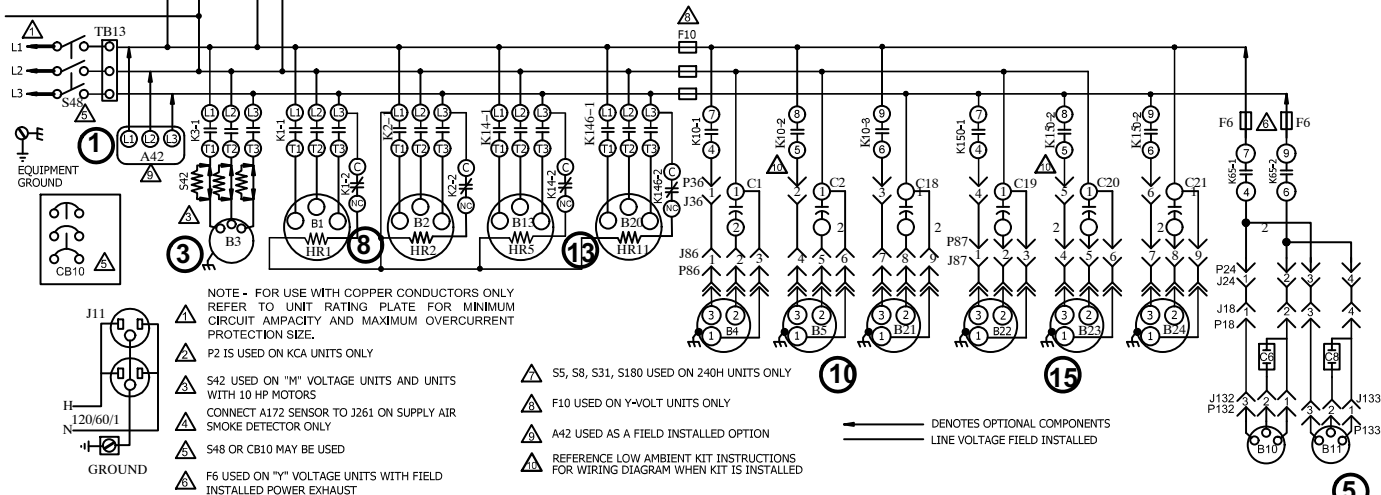
- 13- 24VAC is routed from T18 to N.C. freezestat S53 and N.C. high pressure switch S28. Compressor contactor K14 is energized.
- 14- N.O. K14 closes energizing compressor B13.

KGB300S UNIT DIAGRM

24V POWER



*NOTE - IF ANY WIRE IN THIS APPLIANCE IS REPLACED IT MUST BE REPLACED WITH WIRE OF LIKE SIZE, RATING, TERMINATION AND INSULATION THICKNESS
 *WARNING - ELECTRIC SHOCK HAZARD, CAN CAUSE INJURY OR DEATH UNIT MUST BE GROUNDED IN ACCORDANCE WITH NATIONAL AND LOCAL CODES
 *DISCONNECT ALL POWER BEFORE SERVICING.



- NOTE - FOR USE WITH COPPER CONDUCTORS ONLY REFER TO UNIT RATING PLATE FOR MINIMUM CIRCUIT AMPACITY AND MAXIMUM OVERCURRENT PROTECTION SIZE.
- ▲ P2 IS USED ON KCA UNITS ONLY
 - ▲ S42 USED ON "M" VOLTAGE UNITS AND UNITS WITH 10 HP MOTORS
 - ▲ CONNECT A172 SENSOR TO J261 ON SUPPLY AIR SMOKE DETECTOR ONLY
 - ▲ S48 OR CB10 MAY BE USED
 - ▲ F6 USED ON "Y" VOLTAGE UNITS WITH FIELD INSTALLED POWER EXHAUST

- ▲ S5, S8, S31, S180 USED ON 240H UNITS ONLY
- ▲ F10 USED ON Y-VOLT UNITS ONLY
- ▲ A42 USED AS A FIELD INSTALLED OPTION
- ▲ REFERENCE LOW AMBIENT KIT INSTRUCTIONS FOR WIRING DIAGRAM WHEN KIT IS INSTALLED

← DENOTES OPTIONAL COMPONENTS
 — LINE VOLTAGE FIELD INSTALLED

2018/07	WIRING DIAGRAM	18/07
537588-05		
COOLING - CAV		
KCA/KGA - 240H G,J,M,Y KC/KG - 300S G,J,M,Y		
SECTION B		REV 0
Supersedes	Form No.	
537588-04	537588-05	

KGB300S UNIT DIAGRM KEY

KEY	COMPONENT	KEY	COMPONENT
A42	MONITOR, PHASE PROTECTION	K10,-1,2,3	RELAY, OUTDOOR FAN
A171	SENSOR ONE, SMOKE, RETURN AIR	K14,-1,2	CONTACTOR, COMPRESSOR 3
A172	SENSOR TWO, SMOKE, SUPPLY AIR	K65-1,2	RELAY, EXHAUST FAN 1
A173	MODULE, CONTROL SMOKE DETECTION	K66,-1	RELAY, STAGE COOL 1
B1	COMPRESSOR 1	K67,-1	RELAY, STAGE COOL 2
B2	COMPRESSOR 2	K146,-1,2	CONTACTOR, COMPRESSOR 4
B3	MOTOR, BLOWER	K150,-1,2,3	RELAY, OUTDOOR FAN S 4, 5, 6
B4	MOTOR, OUTDOOR FAN 1	K220, -1	RELAY, OVERFLOW SWITCH
B5	MOTOR, OUTDOOR FAN 2	S4	SWITCH, LIMIT HI PRESS COMP 1
B10	MOTOR, EXHAUST FAN 1	S5	SWITCH, LIMIT HI TEMP LIMIT COMP 1
B11	MOTOR, EXHAUST FAN 2	S7	SWITCH, LIMIT HI PRESS COMP 2
B13	COMPRESSOR 3	S8	SWITCH, LIMIT HI TEMP LIMIT COMP 2
		S11	LOW AMBIENT KIT CONNECTION

B20	COMPRESSOR 4	S28	SWITCH, LIMIT HI PRESS COMP 3
B21	MOTOR, OUTDOOR FAN 3	S31	SWITCH, HI TEMP LIMIT COMP 3
B22	MOTOR, OUTDOOR FAN 4	S42	SWITCH, OVERLOAD RELAY BLOWER MOTOR

B23	MOTOR, OUTDOOR FAN 5
B24	MOTOR, OUTDOOR FAN 6
C1	CAPACITOR, OUTDOOR FAN 1
C2	CAPACITOR, OUTDOOR FAN 2
C6	CAPACITOR, EXHAUST FAN 1
C8	CAPACITOR, EXHAUST FAN 2
C18	CAPACITOR, OUTDOOR FAN 3
C19	CAPACITOR, OUTDOOR FAN 4
C20	CAPACITOR, OUTDOOR FAN 5
C21	CAPACITOR, OUTDOOR FAN 6
CB8	CIRCUIT, BREAKER T1
CB10	CIRCUIT, BREAKER MAIN DISCONNECT
CB18	CIRCUIT, BREAKER T18
DL46	DELAY, OVERFLOW SWITCH
HR1	CRANKCASE HEATER, COMPRESSOR 1
HR2	CRANKCASE HEATER, COMPRESSOR 2
HR5	CRANKCASE HEATER, COMPRESSOR 3
HR11	CRANKCASE HEATER, COMPRESSOR 4
F6	FUSE, EXHAUST FAN
F10	FUSE, OUTDOOR FANS
J11	JACK, GFI, RECEPICLE
K1,-1,2	CONTACTOR, COMPRESSOR 1
K2,-1,2	CONTACTOR, COMPRESSOR 2
K3, -1	CONTACTOR, BLOWER

S48	SWITCH, DISCONNECT
S49	SWITCH, FREEZESTAT COMP 1
S50	SWITCH, FREEZESTAT COMP 2
S53	SWITCH, FREEZESTAT COMP 3
S94	LOW AMBIENTKIT CONNECTION
S95	SWITCH, FREEZESTAT COMP 4
S96	SWITCH, LIMIT HIGH PRESS COMP 4
S149	SWITCH, OVERFLOW
S180	SWITCH, HIGH TEMP COMP 4
T1	TRANSFORMER, CONTROL
T18	TRANSFORMER, CONTACTOR CONTROL
TB13	TERMINAL BLOCK, POWER DISTRIBUTION

J/P	JACK/PLUG DESCRIPTION
2	HEAT
18	EXHAUST FANS
24	EXHAUST FANS
35	RUN TEST
36	RUN TEST OUTDOOR FANS
86	OUTDOOR FANS 1,2,3
87	OUTDOOR FANS 4,5,6
132	EXHAUST BLOWER FAN MOTOR 1
133	EXHAUST BLOWER FAN MOTOR 2
250	SMOKE DETECTOR ONE
251	SMOKE DETECTOR ONE
252	SMOKE DETECTOR TWO
253	SMOKE DETECTOR TWO
255	CONTROL MODULE SMOKE DETECTION
261	SMOKE DETECTOR JUMPER
324	VFD OPTION CONNECTION
325	K3 BLOWER CONTROL
326	PHASE MONITOR/ VFD CONTROL ADD ON
327	PHASE MONITOR/ VFD CONTROL ADD ON

KGB300S SEQUENCE OF OPERATION

Power:

- 1- Line voltage from unit disconnect S48 or TB13, energizes transformer T1 and T18. T1 and T18 provide 24VAC to the unit cooling, heating and blower controls and TB1.

Blower Operation:

- 2- Demand from thermostat terminal G energizes blower contactor K3 with 24VAC.
- 3- N.O. K3 closes, energizing blower B3.

Optional Power Exhaust Operation:

- 4- The economizer control module receives a demand and energizes exhaust fan relay K65 with 24VAC at 50% outside air damper open (adjustable). See thermostat diagram.
- 5- N.O. K65-1 and N.O. K65-2 both close, energizing exhaust fan motors B10 and B11.

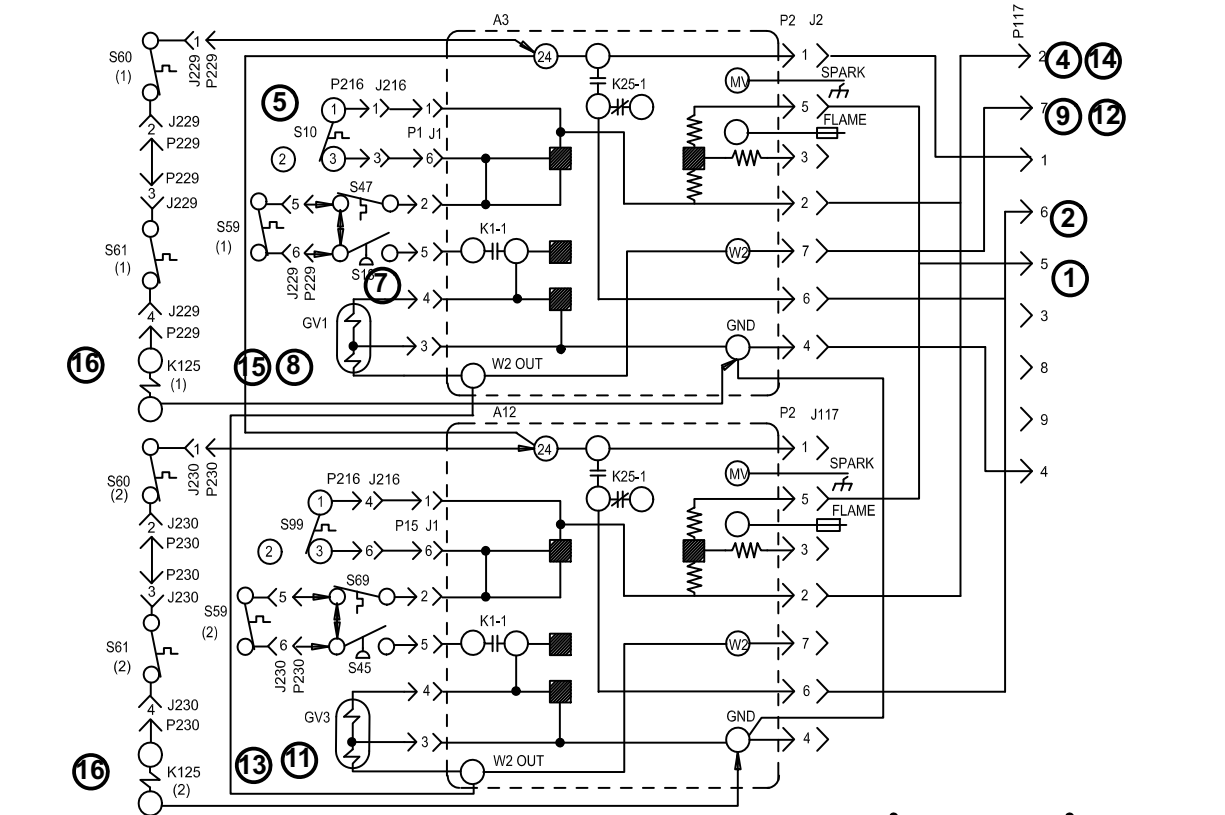
1st Stage Cooling (compressor B1 and B2)

- 6- Y1 energizes the pilot relay K66 and N.O. K66-1 closes.
- 7- 24VAC is routed from T1 to N.C. freezestats S49 and S50 and N.C. high pressure switches S4 and S7. Compressor contactor K1 and K2 is energized.
- 8- N.O. contacts K1 and K2 close energizing compressor B1 and B2.
- 9- Optional N.O. low ambient switch S11 closes to energize condenser fan relay K10.
- 10- N.O. contacts K10-1, K10-2 and K10-3 close energizing condenser fans B4, B5 and B21.

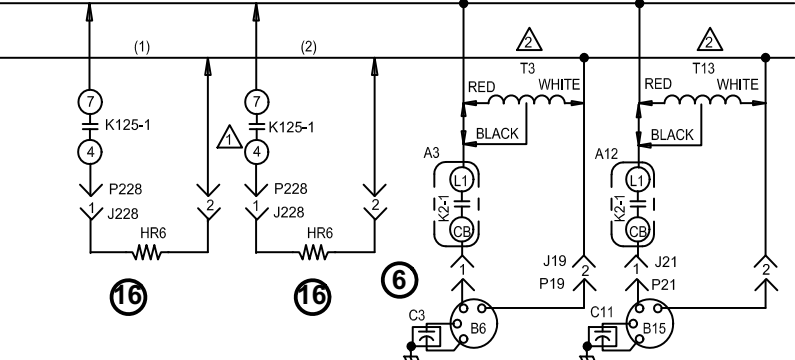
2nd Stage Cooling (compressor B13 is energized)

- 11- Y2 energizes the pilot relay K67 and N.O. K67-1 closes.
- 12- 24VAC is routed from T18 to N.C. freezestat S53, S95 and N.C. high pressure switch S28 and S96. Compressor contactors K14 and K146 are energized.
- 13- N.O. Contacts K14-1 close energizing compressor B13. N.O. Contacts K146-1 close energizing compressor B20.
- 14- S94 closes to energize condenser fan relay K150.
- 15- N.O. contacts K150-1, K150-2 and K150-3 close energizing condenser fan B22, B23 and B24.

GAS HEAT FOR KGB180-300



DESCRIPTION	
KEY	DESCRIPTION
A3	CONTROL, BURNER 1
A12	CONTROL, BURNER 2
B6	MOTOR, COMBUSTION AIR BLOWER 1
B15	MOTOR, COMBUSTION AIR BLOWER 2
C3	CAPACITOR, COMB AIR BLOWER 1
C11	CAPACITOR, COMB AIR BLOWER 2
E1	SPARK
FS1	SENSOR, FLAME
GV1	VALVE, GAS 1
GV2	VALVE, GAS 2
HR6	HEATER, -50C LOW AMBIENT KIT
J1	JACK, GAS LIMIT
J2	HJACK, HEAT
J19	JACK, COMBUSTION AIR BLOWER 1
J21	JACK, COMBUSTION AIR BLOWER 2
J117	JACK, GAS 2 CONTROL
J216	JACK, PRIMARY LIMIT
J228	JACK, VESTIBULE HEATER
J229	JACK, VESTIBULE HEATER CONTROL 1
J230	JACK, VESTIBULE HEATER CONTROL 2
K125,-1	RELAY, HEAT SHUT OFF
P1	PLUG, GAS LIMIT
P2	PLUG, HEAT
P15	PLUG, F.A.T SHIFT
P19	PLUG, COMB AIR BLOWER
P21	PLUG, COMB AIR BLOWER 2
P117	PLUG, GAS 2 CONTROL
P216	PLUG, PRIMARY LIMIT
P228	PLUG, VESTIBULE HEATER
P229	PLUG, VESTIBULE HEATER, CONTROL 1



P230	PLUG, VESTIBULE HEATER, CONTROL 2
S10	SWITCH, LIMIT PRIMARY BURNER 1
S18	SWITCH, COMB AIR BLOWER, PROVE 1
S45	SWITCH, COMB AIR BLOWER, PROVE 2
S47	SWITCH, FLAME ROLLOUT BURNER 1
S59	TSTAT, OPEN -35C, CLOSE -50C
S60	TSTAT, -23C CL, -7C OP, -50C LOW AMB KIT
S61	TSTAT, +24C OPEN, -50C LOW AMB KIT
S69	SWITCH, FLAME ROLLOUT BURNER 2
S99	SWITCH, LIMIT PRIMARY BURNER 2
T3	TRANSFORMER, COMBUSTION AIR BLOWER 1
T13	TRANSFORMER, COMBUSTION AIR BLOWER 2

⚠ CSA(-50C)LOW AMBIENT KIT (OPTIONAL)
 ⚠ T3 & T13 USED ON 575V UNITS ONLY

■ INDICATES MICRO PROCESSOR
 ← DENOTES OPTIONAL COMPONENTS

WIRING DIAGRAM		02/18
HEATING		
GAS HEAT FOR KGA/KGB - 260, 360 AND 480 UNITS		
SECTION A		REV. 1
Supersedes	New Form No. 537056-02	

GAS HEAT FOR KGB180S-300S UNITS

Blower Operation:

- 1- 24VAC is routed from the thermostat G terminal through P117-5 to A3 and A12 ignition controls.
- 2- A3 and A12 N.O. K25-1 contacts close and 24VAC is routed through P117-6.
- 3- On non-MSAV units, the blower is energized via K3 contactor as shown in unit diagrams and sequence of operations. On MSAV units, the A183 VFD control board determines blower speed as shown in MSAV sequence of operation.

First Stage Heat:

- 4- The thermostat initiates W1 heating demand.
- 5- 24VAC is routed from TB1 to ignition controls A3 and A12 through P117. A3 proves N.C. primary limit S10 and N.C. rollout switch S47. A12 proves N.C. primary limit S99 and N.C. rollout switch S69.
- 6- Combustion air inducer blowers B6 and B15 are energized.
- 7- After combustion air inducers B6 and B15 have reached full speed, combustion air proving switch S18 and S45 contacts close.
- 8- After a 30 second delay, A3 and A12 energize the ignitor and LO terminal (low fire) of GV1 and GV3 gas valves.

Second Stage Heat:

- 9- With first stage heat operating, an additional heating demand from the thermostat initiates W2.
- 10- The second stage heat signal passes from TB1 to A3 and A12.
- 11- A3 and A12 energize HI terminal (high fire) of GV1 and GV3 gas valves.

End of Second Stage Heat:

- 12- Heating demand is satisfied. Terminal W2 (high fire) is de-energized.
- 13- Terminal HI of GV1 and GV3 is de-energized by A3 and A12 control modules.

End of First Stage Heat:

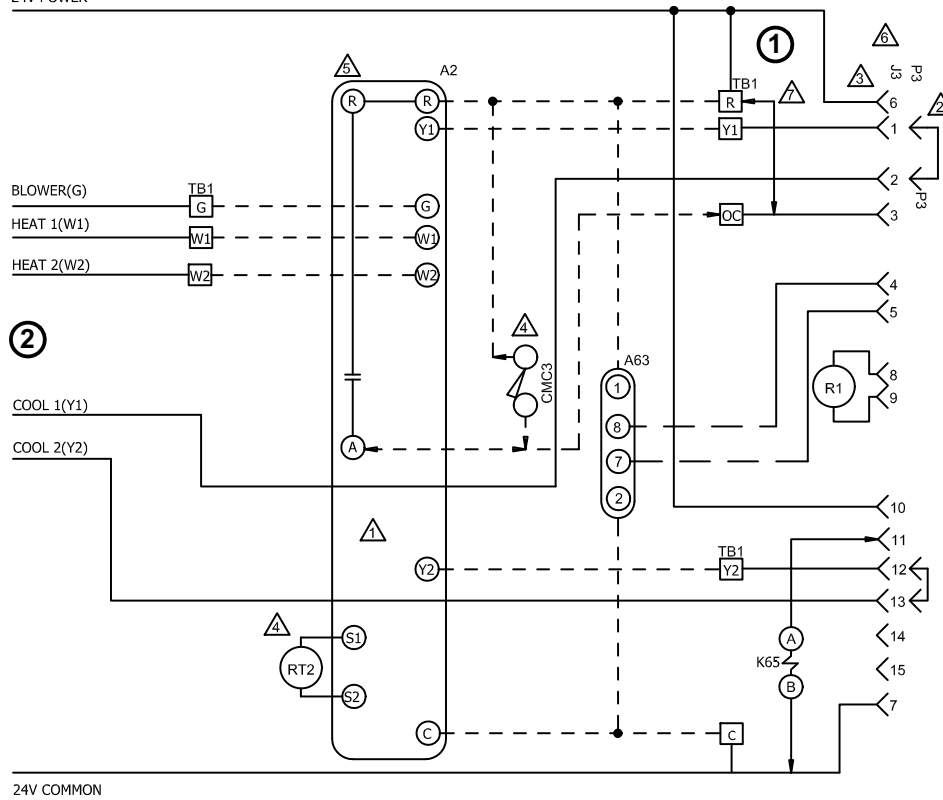
- 14- Heating demand is satisfied. Terminal W1 (low fire) is de-energized.
- 15- A3 and A12 are de-energized by TB1 in turn de-energizing terminal LO of GV1 and GV3.

Optional Low Ambient Kit: (CSA -50° C Low Ambient Kit)

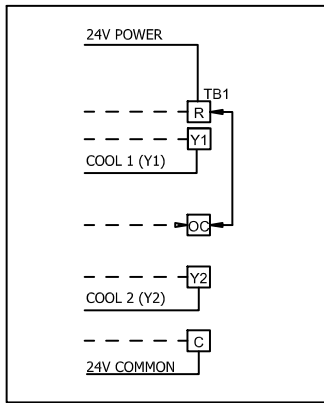
- 16- Line voltage (or transformer T20 in 460V and 575V only) is routed through the low ambient kit fuses F20 and N.C. low ambient kit thermostats S60 and S61, to energize low ambient kit heater HR6.

ELECTRONIC OR ELECTROMECHANICAL THERMOSTAT

24V POWER



24V COMMON



CONNECTION SCHEME FOR KCA, KGA AND KHA 092 THROUGH 150 UNITS WITHOUT ECONOMIZER ONLY

KEY	COMPONENT
A2	SENSOR, ELECTRONIC THERMOSTAT
A63	SENSOR, CO2
CMC3	CLOCK, TIME
J3	JACK, UNIT ECONOMIZER
K65	RELAY, EXHAUST FAN
P3	PLUG, ECONOMIZER BYPASS
R1	SENSOR, MIXED AIR OR SUPPLY AIR
RT2	SENSOR, REMOTE THERMOSTAT
TB1	TERMINAL STRIP, CLASS II VOLTAGE

- ⚠ THERMOSTAT SUPPLIED BY USER
- ⚠ REMOVE P3 WHEN ECONOMIZER IS USED, ONLY ON KCA, KGA AND KHA 156 THROUGH 300 UNITS.
- ⚠ J3 MAXIMUM LOAD 20VA 24VAC CLASS II
- ⚠ TIME CLOCK CONTACTS (OPT) CLOSED OCCUPIED
- ⚠ TOUCHSCREEN THERMOSTAT
- ⚠ J3 AND P3 ARE NOT USED ON KCA, KGA AND KHA 092 THROUGH 150 UNITS WITHOUT ECONOMIZER
- ⚠ REMOVE JUMPER BETWEEN TB1-R AND TB1-OCP WHEN USING A NITE SETBACK THERMOSTAT

- DENOTES OPTIONAL COMPONENTS
- - - CLASS II FIELD WIRING

01/13		WIRING DIAGRAM	01/13
		537612-01	
CONTROL			
ELECTRONIC/ELECTROMECHANICAL THERMOSTAT			
SECTION C			REV. 0
Supersedes	New Form No. 537612-01		

©

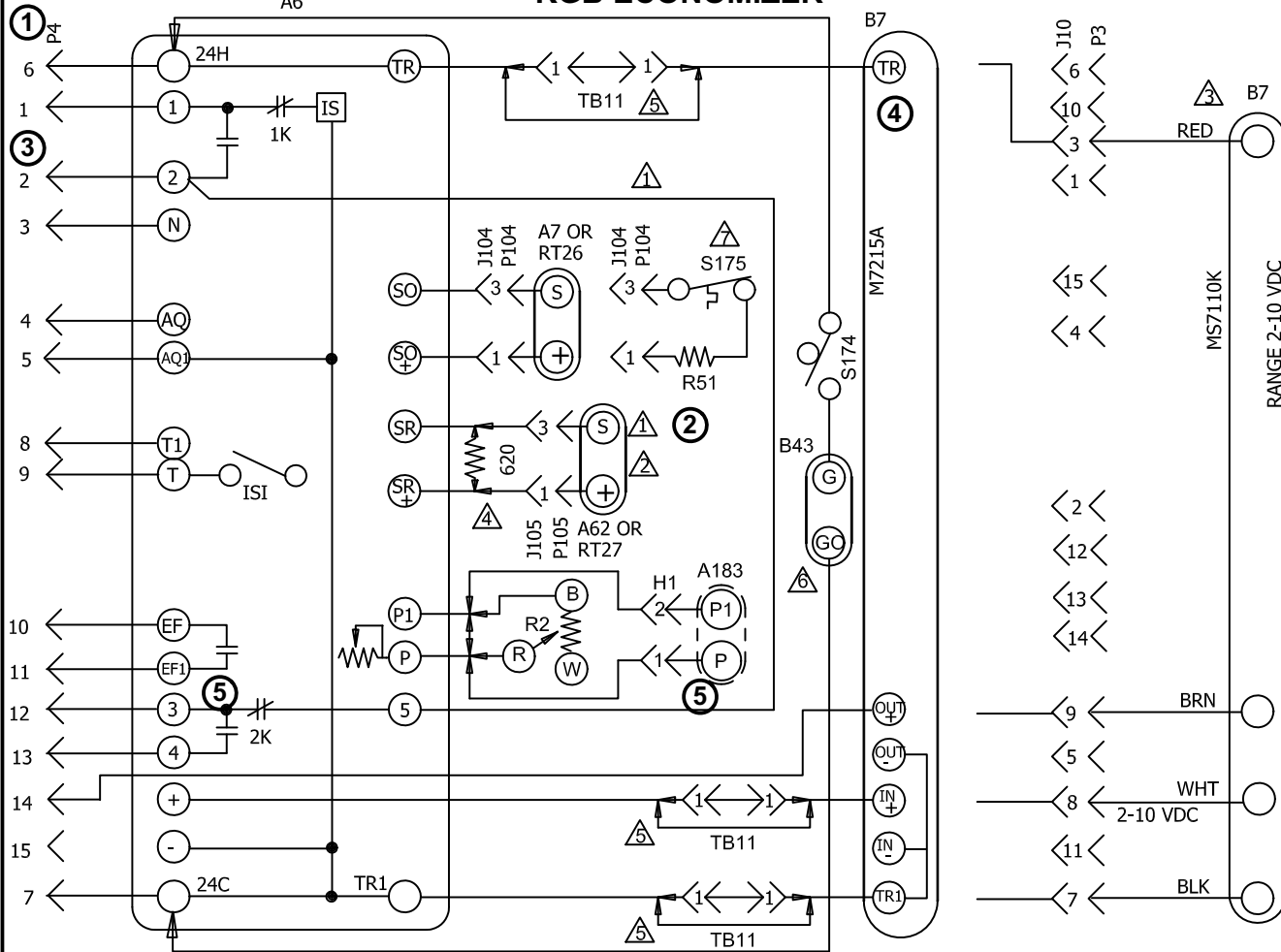
POWER:

1- Terminal strip TB1 found on the control panel energizes thermostat components with 24VAC.

OPERATION:

2- TB1 receives data from the electronic thermostat A2 (Y1, Y2, W1, W2, G, OCP)
 TB1 energizes the appropriate components for heat or cool demand.

KGB ECONOMIZER



KEY	COMPONENT
A6	CONTROL-SOLID STATE ENTHALPY
A7	SENSOR-SOLID STATE ENTHALPY
A62	SENSOR-ENTHALPY, INDOOR
A183	CONTROL, VFD BOARD
B7	MOTOR-DAMPER, ECONOMIZER
B43	MOTOR-EXHAUST DAMPER
H1	HEADER 1 ON LANDMARK VFD BOARD
J10	JACK-ECONOMIZER
J104	JACK-SENSOR, OUTDOOR ENTHALPY
J105	JACK-SENSOR, RETURN AIR ENTHALPY
P3	PLUG-LESS ECONOMIZER
P4	PLUG-ECONOMIZER
P104	PLUG-SENSOR, OUTDOOR ENTHALPY
P105	PLUG-SENSOR, RETURN AIR ENTHALPY
R2	POT-MINIMUM POSITION
R51	RESISTOR-SENSIBLE 820 OHM
RT26	SENSOR-OUTDOOR AIR TEMP
RT27	SENSOR-INDOOR AIR TEMP
S175	THERMOSTAT-SENSIBLE TEMP 55-70F
S174	SWITCH-EXHAUST DAMPER
TB11	TERMINAL STRIP-CLASS II VOLT

- ⚠ RT26 AND RT27, TEMPERATURE SENSORS MAY BE USED INSTEAD OF A7 AND A62 ENTHALPY SENSORS
- ⚠ A62 ENTHALPY SENSOR OR RT27 USED FOR DIFFERENTIAL SENSING
- ⚠ USED ON C BOX UNITS
- ⚠ REPLACE A7 OR RT26 WITH 620 OHM RESISTOR FOR CONTROLS WITH GLOBAL ECON
- ⚠ TB11 USED ON "C" BOX ONLY WITH MOTOR M7215A
- ⚠ OPTIONAL EXHAUST DAMPER TO HOLD EXHAUST DAMPER CLOSED WHEN OUTSIDE AIR DAMPER IS CLOSED
- ⚠ OPTIONAL OUTDOOR THERMOSTAT TO REPLACE RT26 SENSIBLE SENSOR

DESIGNATES OPTIONAL WIRING
 CLASS II FIELD WIRING

SEQUENCE OF OPERATION

POWER:

- Economizer control module A6 is energized through P4-6.

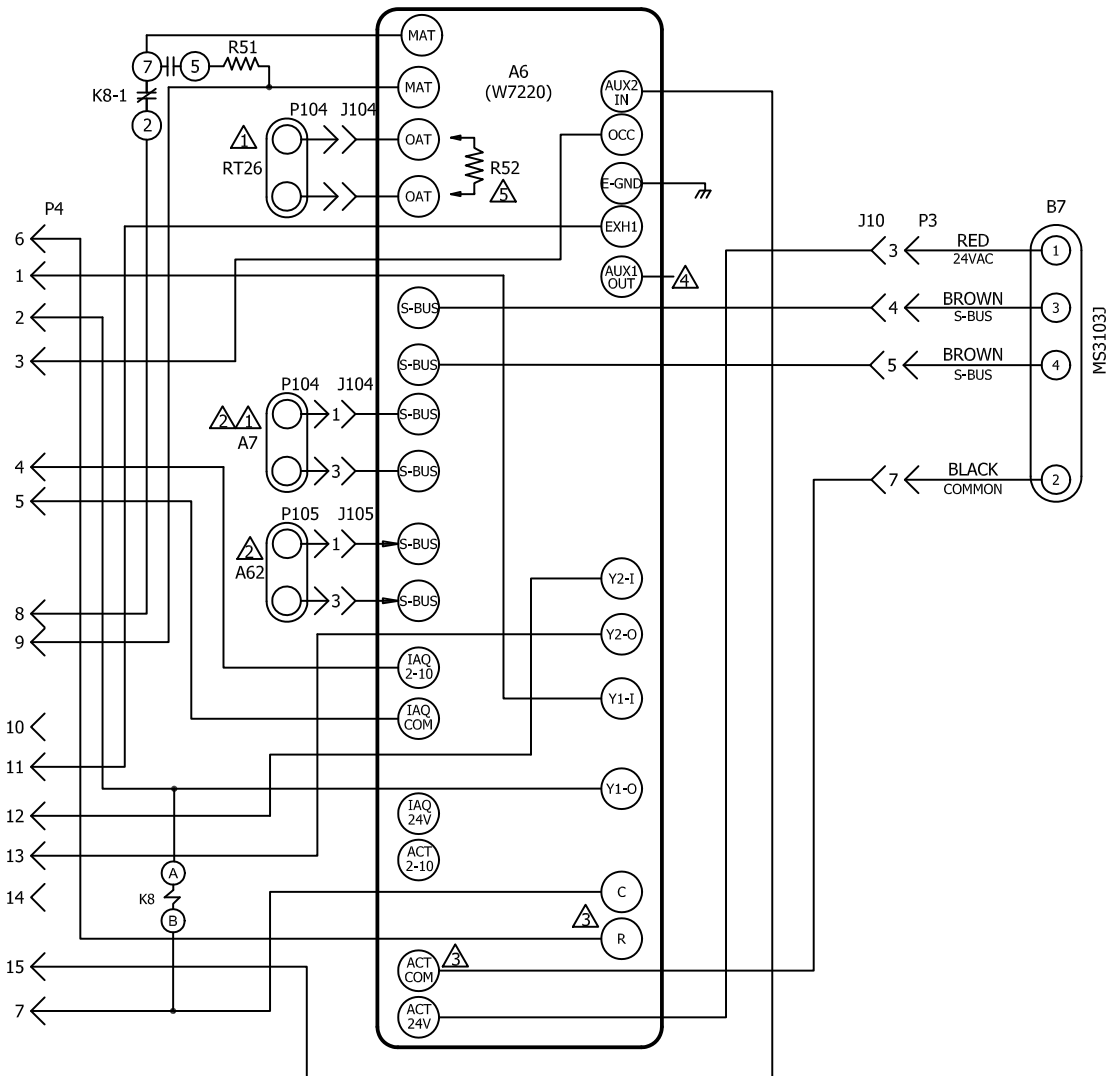
OPERATION:

- Temperature sensor S175 or enthalpy sensor A7 and A62 (if differential enthalpy is used) communicates to the economizer control module A6 when outdoor air is suitable for free cooling.
- A6 energizes the economizer.
- Economizer control module A6 supplies B7 with 0 - 10 VDC to control the positioning of economizer.
- The damper actuator provides 2 to 10 VDC position feedback.

	LANDMARK WIRING DIAGRAM	11/11
	ACCESSORIES	
ECONOMIZER		
SECTION D		REV 0
Supersedes	New Form No. 537080-02	

© 2011

KGB ECONOMIZER



KEY	COMPONENT
A6	CONTROL - ECONOMIZER
A7	SENSOR - OUTDOOR ENTHALPY
A62	SENSOR - INDOOR ENTHALPY
B7	MOTOR - DAMPER, ECONOMIZER
J10	JACK - ECONOMIZER MOTOR
J104	JACK - SENSOR OUTDOOR
J105	JACK - SENSOR RETURN AIR
K8	TRANSFER RELAY
P3	PLUG - ECONOMIZER MOTOR
P4	PLUG - ECONOMIZER
P104	PLUG - SENSOR OUTDOOR
P105	PLUG - SENSOR RETURN AIR
RT26	SENSOR - OUTDOOR AIR TEMP
R51	RESISTOR, MAT BYPASS
R52	RESISTOR, OAT BYPASS

DESIGNATES OPTIONAL WIRING
 CLASS II FIELD WIRING

- OUTDOOR AIR TEMP SENSOR RT26 OR OUTDOOR AIR ENTHALPY SENSOR A7 MAY BE USED
- FOR DIFFERENTIAL ENTHALPY SENSING USE OUTDOOR ENTHALPY SENSOR A7 AND INDOOR ENTHALPY SENSOR A62
- REFER ALSO TO MAIN UNIT WIRING DIAGRAM SECTION C
- PROGRAMMABLE, USE FOR EXHAUST FAN 2 OUTPUT OR ERV OR SYSTEM ALARM OUTPUT
- R52 USED WITH NOVAR 2024 OR 2051 DDC CONTROLS.

10/13		WIRING DIAGRAM	10/13
537636-01			
ACCESSORIES			
JADE CONTROL ECONOMIZER (B & C-BOX)			
SECTION B		REV 0	
Supersedes		New Form No.	
537636-01			

OPERATION:

When the outdoor air is suitable and a thermostat demand calls for 1st. stage cooling (Y1), the economizer will modulate the dampers between the minimum and fully open positions to maintain a 55° F (12.8° C) mixed air temperature. When there is an increased thermostat demand for second stage cooling (Y2), the economizer damper opens 100% and the economizer controller (A6) will bring on the compressor. At that point, K8 relay will switch from the R1 mixed air sensor to R51 resistor allowing the economizer damper to stay open 100%. The damper will stay open 100% with the compressor running simultaneously until Y2 demand is met.

TYPICAL MSAV UNIT DIAGRAM

KEY	COMPONENT
A42	MONITOR, PHASE PROTECTION
A49	CONTROL INVERTER
A171	SENSOR ONE, SMOKE, RETURN AIR
A172	SENSOR TWO, SMOKE, SUPPLY AIR
A173	MODULE, CONTROL, SMOKE DETECTION
A188	CONTROL, VFD BOARD
B1	COMPRESSOR 1
B2	COMPRESSOR 2
B3	MOTOR, BLOWER
B4	MOTOR, OUTDOOR FAN 1
B5	MOTOR, OUTDOOR FAN 2
B10	MOTOR, EXHAUST FAN 1
B11	MOTOR, EXHAUST FAN 2
B13	COMPRESSOR 3
B21	MOTOR, OUTDOOR FAN 3
B22	MOTOR, OUTDOOR FAN 4
B23	MOTOR, OUTDOOR FAN 5
B24	MOTOR, OUTDOOR FAN 6
C1	CAPACITOR, OUTDOOR FAN 1
C2	CAPACITOR, OUTDOOR FAN 2
C6	CAPACITOR, EXHAUST FAN 1
C8	CAPACITOR, EXHAUST FAN 2
C18	CAPACITOR, OUTDOOR FAN 3
C19	CAPACITOR, OUTDOOR FAN 4
C20	CAPACITOR, OUTDOOR FAN 5
C21	CAPACITOR, OUTDOOR FAN 6
C86	CIRCUIT, BREAKER T1
C87	CIRCUIT, BREAKER T18
C88	CIRCUIT, OVERFLOW SWITCH
DL46	DELAY, OVERFLOW SWITCH
F6	FUSE, EXHAUST FAN
H2	HEADER & LVCI
H11	HEATER, COMPRESSOR 1
H12	HEATER, COMPRESSOR 2
H13	HEATER, COMPRESSOR 3
J11	JACK, GFI, RECEPTACLE
K1-1,2	CONTACTOR, COMPRESSOR 1
K2-1,2	CONTACTOR, COMPRESSOR 2
K3-1	CONTACTOR, BLOWER
K10-1,2	RELAY, OUTDOOR FAN
K14-1,2	CONTACTOR, COMPRESSOR 3
K6-1,2	RELAY, EXHAUST FAN 1
K6-1	RELAY, STAGE COOL 1
K67-1	RELAY, STAGE COOL 2
K150-1,2	RELAY, OUTDOOR FAN 2&3
K150-1,2	RELAY, OUTDOOR FAN 4
K152-1,2	RELAY, OUTDOOR FAN 5&6
K220-1	RELAY, OVERFLOW SWITCH
K282	RELAY, INVERTER PROTECTION
S4	SWITCH, LIMIT HI PRESS COMP 1 (MANUAL RESET)
S7	SWITCH, LIMIT HI PRESS COMP 2 (MANUAL RESET)
S11	SWITCH, LOW PRESS, LOW AMBIENT KIT COMP 1
S28	SWITCH, LIMIT HI PRESS COMP 3 (MANUAL RESET)
S42	SWITCH, OVERLOAD RELAY BLOWER MOTOR
S46	SWITCH, DISCONNECT
S48	SWITCH, FREEZE/STAT COMP 1
S50	SWITCH, FREEZE/STAT COMP 2
S53	SWITCH, FREEZE/STAT COMP 3
S84	SWITCH, LOW PRESS, LOW AMBIENT KIT COMP 2
S86	SWITCH, LOW PRESS, LOW AMBIENT KIT COMP 3
S149	SWITCH, OVERFLOW
T1	TRANSFORMER, CONTROL
T18	TRANSFORMER, CONTACTOR CONTROL
TB13	TERMINAL STRIP, POWER DISTRIBUTION

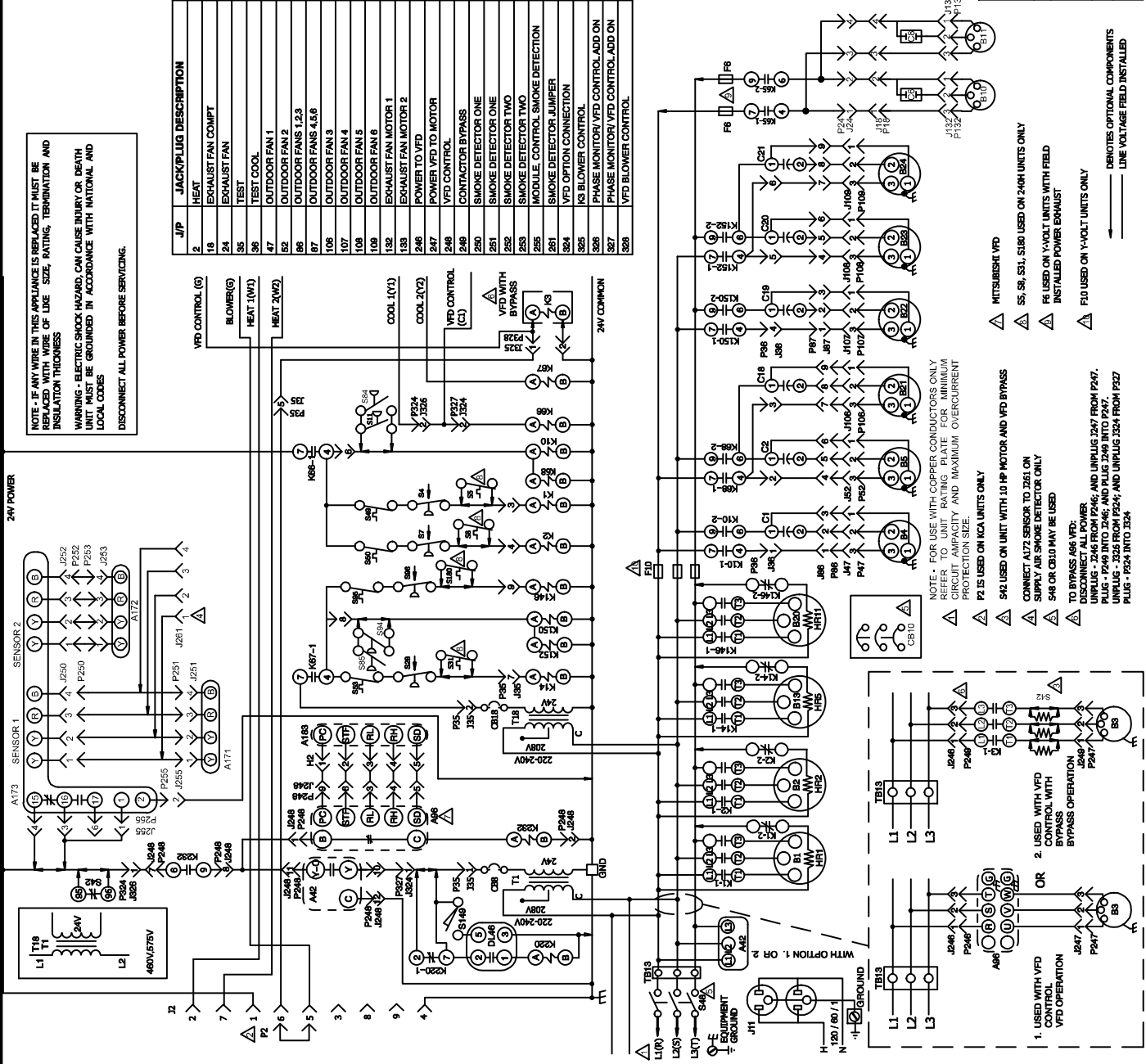
07/17	WIRING DIAGRAM
COOLING	
KC/KG - 240H, 300S - G,J,Y - VFD	
SECTION B	REV 0
New Form No. 537608-04	

NOTE - IF ANY WIRE IN THIS APPLIANCE IS REPLACED IT MUST BE REPLACED WITH WIRE OF LIKE SIZE, RATING, TERMINATION AND INSULATION THICKNESS

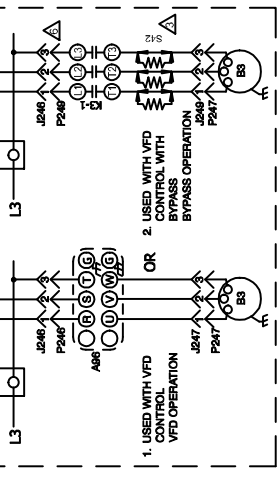
WARNING - ELECTRIC SHOCK HAZARD, CAN CAUSE INJURY OR DEATH. UNIT MUST BE GROUNDED IN ACCORDANCE WITH NATIONAL AND LOCAL CODES

DISCONNECT ALL POWER BEFORE SERVICING.

J/P	JACK/PLUG DESCRIPTION
2	HEAT
18	EXHAUST FAN COMP 1
24	EXHAUST FAN
35	TEST
36	TEST COOL
47	OUTDOOR FAN 1
62	OUTDOOR FAN 2
66	OUTDOOR FANS 1,2,3
67	OUTDOOR FANS 4,5,6
106	OUTDOOR FAN 3
107	OUTDOOR FAN 4
108	OUTDOOR FAN 5
109	OUTDOOR FAN 6
132	EXHAUST FAN MOTOR 1
133	EXHAUST FAN MOTOR 2
246	POWER VFD TO MOTOR
247	VFD CONTROL
248	CONTACTOR BYPASS
250	SMOKE DETECTOR ONE
251	SMOKE DETECTOR TWO
252	SMOKE DETECTOR TWO
253	SMOKE DETECTOR TWO
255	MODULE, CONTROL, SMOKE DETECTION
261	SMOKE DETECTOR BUMPER
264	VFD OPTION CONNECTION
265	IS BLOWER CONTROL
266	PHASE MONITOR/VFD CONTROL, ADD ON
267	PHASE MONITOR/VFD CONTROL, ADD ON
268	VFD BLOWER CONTROL

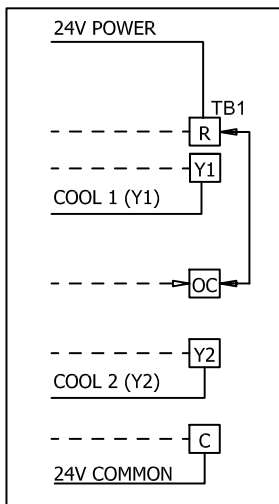
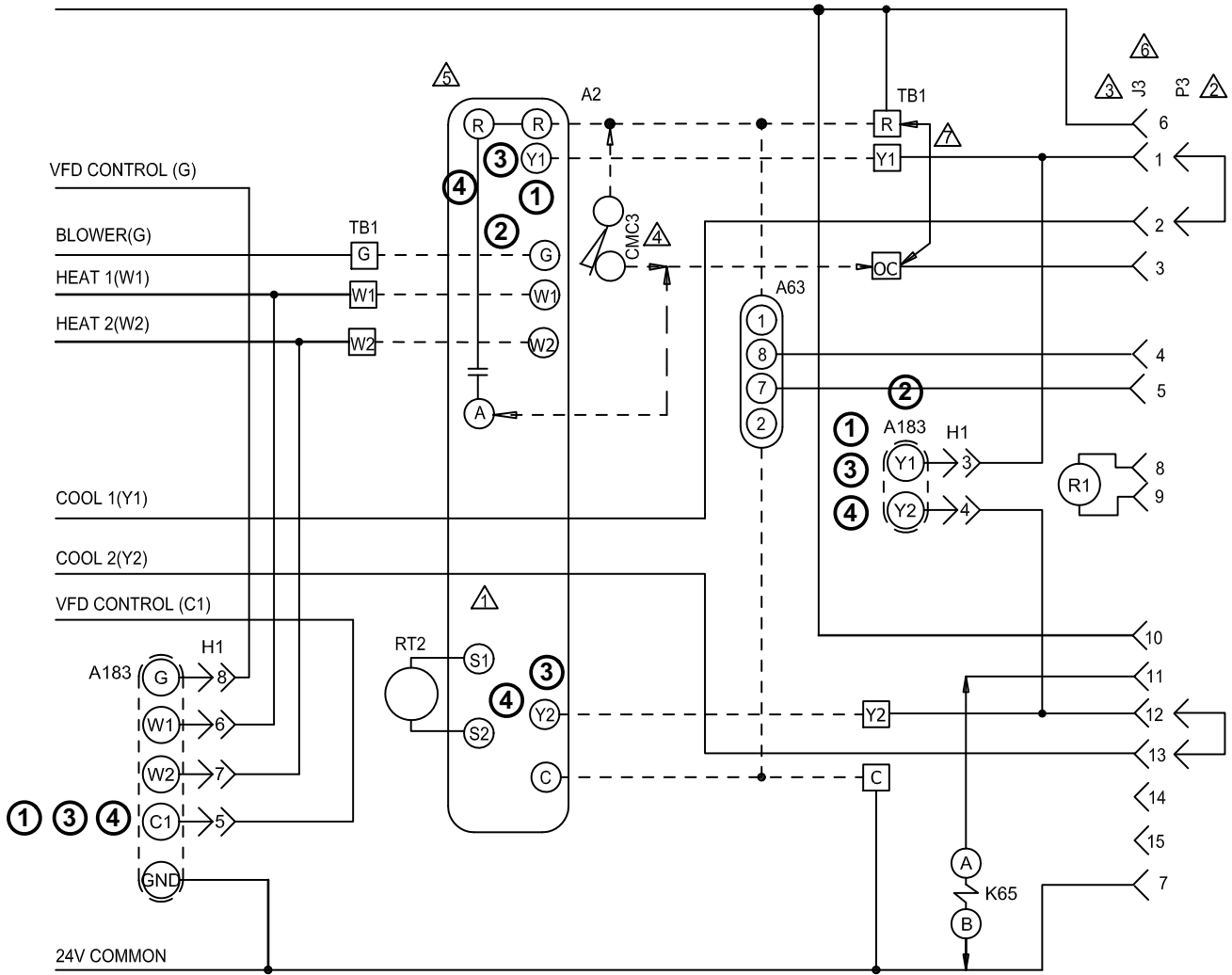


- NOTE - FOR USE WITH COPPER CONDUCTORS ONLY. REFER TO UNIT RATING PLATE FOR MINIMUM CIRCUIT AMPACITY AND MAXIMUM OVERCURRENT PROTECTION SIZE.
- ▲ P2 15 USED ON KCA UNITS ONLY
 - ▲ S42 USED ON UNIT WITH 10 HP MOTOR AND VFD BYPASS
 - ▲ CONNECT A172 SENSOR TO S261 ON SUPPLY AIR SMOKE DETECTOR ONLY
 - ▲ S48 OR C810 MAY BE USED TO BYPASS A66 VFD.
 - ▲ DISCONNECT ALL POWER UNPLUG - 246 FROM P246; AND UNPLUG 247 FROM P247.
 - ▲ UNPLUG P249 INTO 246; AND PLUG 249 INTO P247.
 - ▲ UNPLUG P250, P251, P252; AND UNPLUG 254 FROM P257.
 - ▲ PLUG - P254 INTO 254.
- ▲ MITSUBISHI VFD
- ▲ S5, S8, S31, S38 USED ON 240H UNITS ONLY
 - ▲ F6 USED ON Y-VOLT UNITS WITH FIELD INSTALLED POWER EXHAUST
 - ▲ F10 USED ON Y-VOLT UNITS ONLY
- ← DENOTES OPTIONAL COMPONENTS
→ LINE VOLTAGE FIELD INSTALLED



ELECTROMECHANICAL OR ELECTRONIC THERMOSTAT WITH MSAV

24V POWER



CONNECTION SCHEME FOR KCA, KGA, AND KHA 092 THROUGH 150 UNITS WITHOUT ECONOMIZER ONLY

KEY	COMPONENT
A2	SENSOR, ELECTRONIC
A63	SENSOR, CO2
A183	CONTROL, VFD BOARD
CMC3	CLOCK, TIME
H1	HEADER 1 ON VFD BOARD
J3	JACK, UNIT ECONOMIZER
K65	RELAY, EXHAUST FAN
P3	PLUG, LESS ECONOMIZER
R1	SENSOR, MIXED / SUPPLY AIR
RT2	SENSOR, REMOTE THERMOSTAT
TB1	TERMINAL STRIP, CLASS II VOLTAGE

- ⚠ THERMOSTAT SUPPLIED BY USER
- ⚠ REMOVE P3 WHEN ECONOMIZER IS USED; ONLY ON KCA, KGA AND KHA 156 THRU 300 UNITS
- ⚠ J3 MAXIMUM LOAD 20VA 24VAC CLASS II
- ⚠ TIME CLOCK CONTACTS (OPT) CLOSED OCCUPIED
- ⚠ TOUCHSCREEN THERMOSTAT
- ⚠ J3 AND P3 ARE NOT USED ON KCA, KGA, AND KHA 092 THRU 150 UNITS WITHOUT ECONOMIZER
- ⚠ REMOVE JUMPER BETWEEN TB1-R AND TB1-OC WHEN USING A NITE SETBACK THERMOSTAT

→ DESIGNATES OPTIONAL WIRING
 CLASS II FIELD WIRING

01/13	WIRING DIAGRAM	01/13
537615-01		
CONTROL - VFD		
ELECTRONIC/ELECTROMECHANICAL THERMOSTAT		
SECTION C		REV. 0
Supersedes	New Form No. 537615-01	

MSAV BLOWER OPERATION

Cooling and heating operate the same as non-MSAV units except for blower operation.

During heating, the blower operates on high speed. See table 30 for blower speed during cooling.

During ventilation, the blower speed is determined by the low/high switch on the A183 VFD control board.

TABLE 30

Diagram Reference No.	Outdoor Air Condition For Free Cooling	Thermostat Demand	A183 Terminals Energized	Blower Speed
1	Not Suitable (or no economizer)	Y1	Y1 and C1*	Low
2	Suitable	Y1	Y1	High
3	Not Suitable (or no economizer)	Y1 and Y2	Y1, C1* and Y2	High
4	Suitable	Y1 and Y2	Y1, C1* and Y2	High

*C1 is energized via A6 enthalpy control.

Y1 thermostat demand, outdoor air NOT suitable for free cooling (or no economizer):

1- 24v is routed to A183 VFD control board Y1 and C1 (via A6-2) terminals. A183 operates the blower in low speed.

Y1 thermostat demand, outdoor air SUITABLE for free cooling:

2- 24v is routed to A183 VFD control board Y1 terminal. A183 operates the blower in high speed.

Y1 and Y2 thermostat demand, outdoor air NOT suitable for free cooling (or no economizer)

3- 24v is routed to A183 VFD control board Y1, Y2 and C1 (via A6-2) terminals. A183 operates the blower in high speed.

Y1 and Y2 thermostat demand, outdoor air SUITABLE for free cooling:

4- 24v is routed to A183 VFD control board Y1, Y2 and C1 (via A6-3) terminals. A183 operates the blower in high speed.