

### VOLTEX® MAX SMART HYBRID ELECTRIC HEAT PUMP WATER HEATER WITH HOT WATER+ TECHNOLOGY

The Voltex MAX Smart Hybrid Electric heat pump water heater from A.O. Smith can deliver more hot water with innovative smart valve technology. Voltex MAX combines annual savings of more than \$600 per year on utility savings bill with more modes for customized hot water usage.

#### HOW DO THEY WORK?

- Absorb ambient heat from the surrounding air to heat water using a compressor
- Self-contained heat pump unit is integrated into the top of the tank
- Backup electric elements can supplement the heat pump depending on operating mode, environmental conditions and hot water demand

#### EXCEPTIONAL ENERGY EFFICIENCY

- Improved efficiency up to 3.88 Uniform Energy Factor (UEF) can reduce the cost of water heating by up to 75%\*
- Heat pump can work down to 37°F ambient for more days of high efficiency operation

#### MORE HOT WATER

- Choose from three Hot Water+ levels for up to 40% more hot water than a standard heat pump
- Guest Mode provides maximum hot water for up to seven days
- Innovative digital smart valve

#### iCOMM® SMART CONNECTIVITY

- Monitor and control your water heater through the free A. O. Smith app
- Connect through a local Wi-Fi network or directly to the water heater through Bluetooth
- If applicable download the Time of Use schedule of your local electric utility to prioritize heating when the rates are most affordable
- Receive alerts and notifications

#### LEAK PROTECTION TECHNOLOGY

- Smart anode adapts to local water conditions to protect and extend the life of the water heater
- Controls regulate depletion of the anode to extend the life of the anode allowing superior tank protection far longer than standard anode rods
- User is notified when the anode is consumed and needs to be replaced
- Smart sensor leak detection and automatic water shutoff for added peace of mind and enhanced protection

#### WHISPER QUIET OPERATION AT 45 dBA

- No vibration isolation kit required

#### FLEXIBLE DESIGN

- Contractor preferred top water connections
- Zero clearance required on sides and back to fit in tighter spaces
- 450 ft³ space requirement is lower than other heat pump water heaters plus integrated ducting adapters for easy installation in smaller spaces
- Ideal for basements, utility rooms or garage installations; the compressor transfers heat to the water while dehumidifying and cooling the ambient air



QUALIFIES FOR MANY STATE AND LOCAL UTILITY REBATES - CHECK [WWW.HOTWATER.COM](http://WWW.HOTWATER.COM)



\*Comparing 80-gallon Voltex MAX heat pump against pre-2015 similarly-sized standard electric using DOE EF to UEF conversion rates and \$0.14 per kWh electricity cost. Savings may vary.

Model Number	Nominal Capacity	Rated Storage Volume	UEF	First Hour Rating (gallons)	Dimensions in Inches							Approx Shipping Weight (lbs)	Warranty Term
					A	B	C	D	E	F	G		
HPTA-40	40	36	3.60	55	64.75	20	41.5	3.75	8	43.5	46.5	191	10
HPTA-50	50	46	3.68	65	63	22	40.5	3.75	8	43.5	48	196	10
HPTA-66	66	68	3.84	83	61.5	26.5	38.25	4	8	41.25	46	284	10
HPTA-80	80	81	3.88	95	69	26.5	46.5	4	8	50.5	54.5	302	10

Top T&P option not available.

## MULTIPLE OPERATING MODES

Choose from multiple modes to match water heating needs and environmental conditions. Use Hot Water+ in conjunction with other modes to customize the amount of hot water for daily operations

### STANDARD MODES:

Hot Water+ levels can be used to customize the amount of hot water for daily operations

- Hybrid (Default): Hot water delivery balanced with energy saving performance
- Heat Pump: Maximum energy efficiency

### TEMPORARY MODES:

- Guest: Provides maximum hot water for up to seven days
- Electric: Uses only the electric heating elements
- Vacation: Reduce energy use while you are away

### ADVANCED QUALIFICATIONS:

- ASSE 1082
- California Title 24 JA13 Qualified
- CTA-2045 (AC)
- ENERGY STAR®
- HUD Compliant
- NEEA Tier 4
- OpenADR 2.0b VEN
- Utility Demand Response Advanced Load-Up Capable

### OTHER FEATURES:

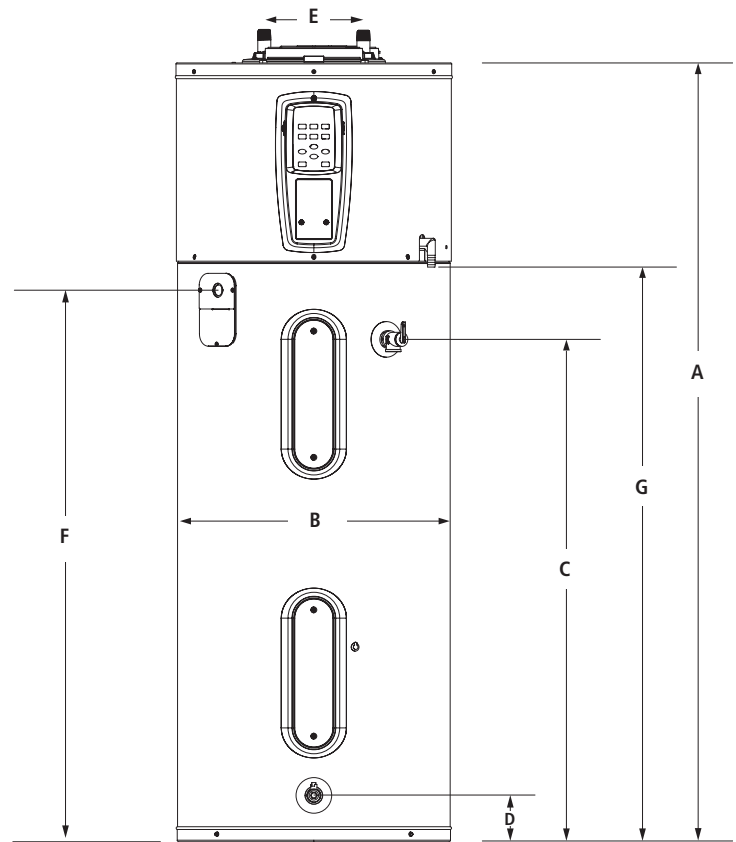
- Easily accessible front mounted junction box
- Environmentally-friendly, non-CFC foam insulation
- Durable, enhanced-flow brass drain valve
- CSA certified and ASME rated temperature & pressure relief valve

### OPERATING REQUIREMENTS:

- Requires provision for non-acidic condensate draining; if a suitable drain is not available a condensate pump is required
- 208/240 VAC 60Hz single phase 30 amp power supply

### 10-YEAR LIMITED WARRANTY

- For complete information, consult written warranty or go to [hotwater.com](http://hotwater.com)



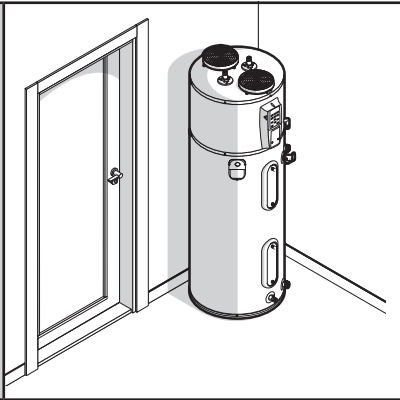
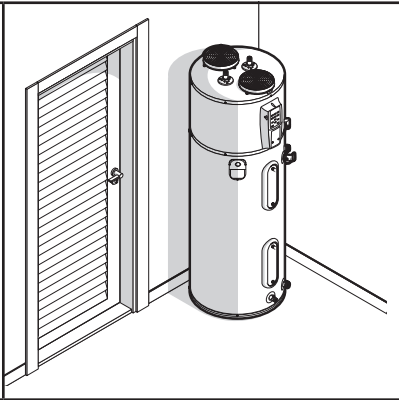

### iCOMM™ SMART CONNECTIVITY

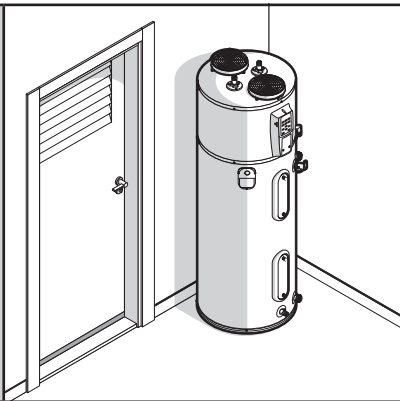
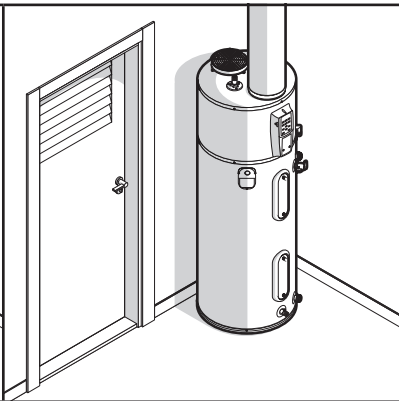
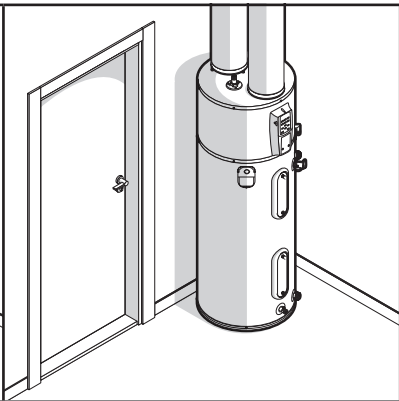
Download the free A. O. Smith app to get started.



Apple logo and Apple App Store Logo are trademarks of Apple Inc. Google Play and the Google Play logo are trademarks of Google LLC.

### 450 FT<sup>3</sup> ENCLOSED ROOM SIZE IS 35% SMALLER THAN OTHER MANUFACTURERS REQUIRE

			
<b>Configuration</b>	Enclosed Room	Fully Louvered Door	Upper and Lower Louvers in Door <sup>1,2</sup>
<b>Minimum Space (FT<sup>3</sup>)</b>	450	84	84
<b>Space Example L x W x H (FT)</b>	6 x 7.5 x 10	3 x 2.8 x 10	3 x 2.8 x 10

			
<b>Configuration</b>	Upper Louver and Undercut Door <sup>1,3,4</sup>	Inlet <b>OR</b> Outlet Ducting and a Single Louver <b>OR</b> Undercut Door <sup>1,3,4,5</sup>	Inlet <b>AND</b> Outlet Ducting <sup>5</sup>
<b>Minimum Space (FT<sup>3</sup>)</b>	84	No minimum space requirement	No minimum space requirement
<b>Space Example L x W x H (FT)</b>	6 x 7.5 x 10		

<sup>1</sup>Minimum louver size is 130 in<sup>2</sup> free area each.

<sup>2</sup>When two louvers are installed, install one louver at the top of the heater and the other close to the floor.

<sup>3</sup>Undercut door should have a minimum of 0.75" clearance. (minimum 18 in<sup>2</sup> air gap)

<sup>4</sup>When one louver is installed, install the louver in a location close to the top of the heater.

<sup>5</sup>This heater supports multiple duct diameters as well as rigid and flex ducting options. See manual for more information.

For Technical Information, call 800-527-1953. A. O. Smith Corporation reserves the right to make product changes or improvements without prior notice.