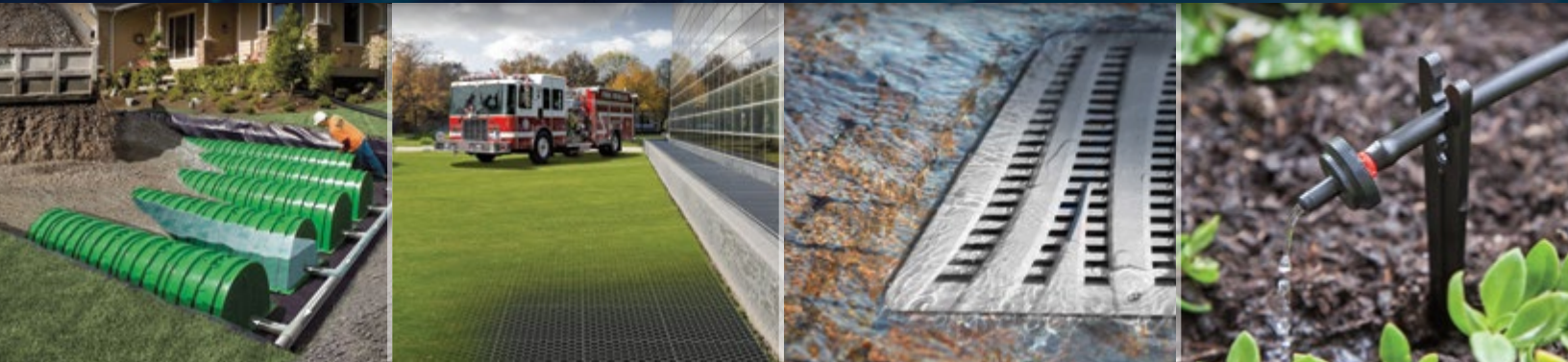




Your knowledgeable and
trusted partner for the best in
water management solutions



2016/2017 Product Catalog

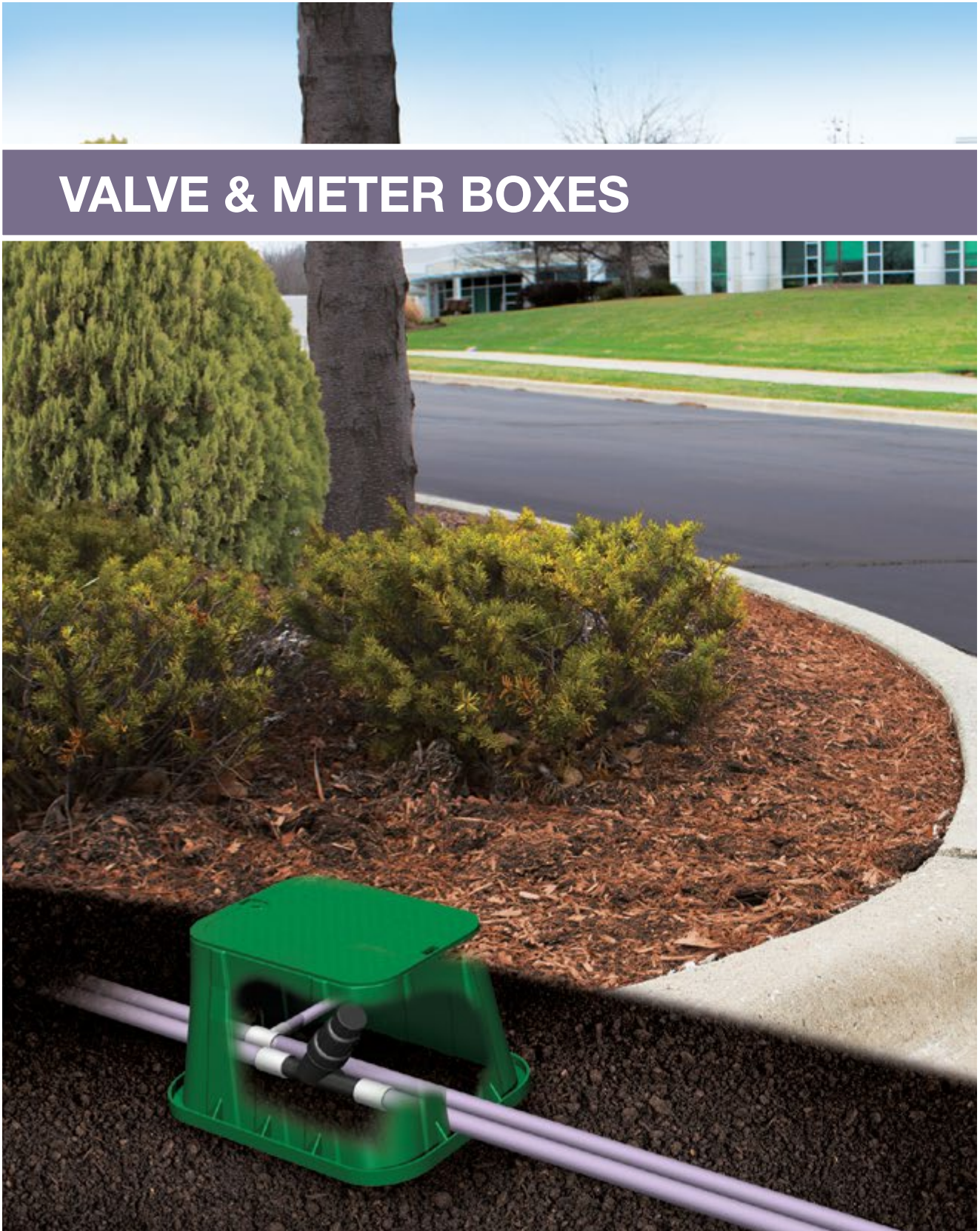
Commercial Stormwater Management

Residential Stormwater Management

Professional Irrigation

Flow Management

VALVE & METER BOXES



VALVE BOXES

NDS valve and meter boxes are proudly manufactured in Lindsay, CA, and span a wide variety of sizes, from 6" round to 17" x 30" rectangular. Available with black, green, purple, gray, and sand covers with designations including irrigation control valve, water, sewer, electric, reclaimed water, cable TV, telephone, and others, all NDS boxes and lids contain UV inhibitors for sustained durability and performance in direct sunlight.

PRO SERIES PLUS

The NDS Pro Series Plus line is the next generation of valve boxes, ideal for the specification market. These boxes are engineered with unique corrugated sidewalls that provide added strength to the boxes while reducing material and weight, allowing us to price the Pro Series Plus line to be less overall than our Pro Series line. The Pro Series Plus boxes are the strongest in the NDS offering, and they also come with reinforced lids.

Details

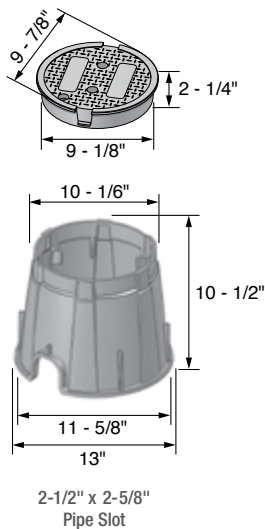
- Corrugated sidewalls provide greater strength
- Reinforced covers for heavier loads
- Specification grade valve boxes for professional applications
- Stainless steel nut on boxes for bolt-down capability

Materials and Standards

- High-impact, high-density, injection-molded structural foam polyethylene construction with a melt index between 10-12
- Overlapping covers prevent dirt and grass from settling in between body and cover
- UV inhibitors prevent discoloration and cracking

NDS Pro Series Plus 10" Round Corrugated Valve Boxes

Specifications: The NDS PRO SERIES PLUS 10" round body is tapered and has a minimum wall thickness of 0.250". The cover seat area has 8 structural support ribs on the underside of the seat, each with a minimum thickness of 0.250". The bottom of the body has a 0.500" flange. The 10" round cover has an average thickness of 0.300". The valve box has a 3/8" 304 SS nut for the bolt-down as a standard feature.



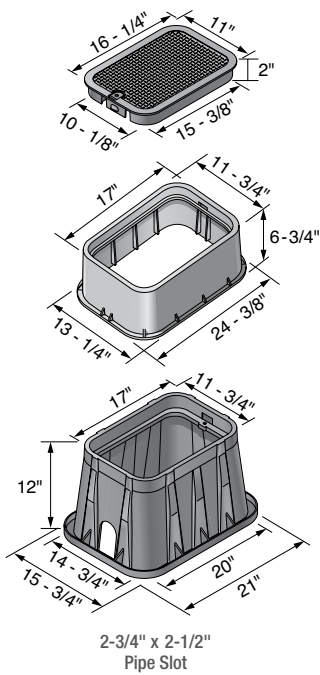
Part No.	Description - Marking	Color (Box/Cover)	Pallet Qty.	Wt. Ea. lbs.	Product Class
Box & Cover					
312BC	10" Round Corrugated Box, Round Overlapping Cover - ICV	Green/Green	132	4.00	20PR
312BCB	10" Round Corrugated Box, Overlapping Bolt-Down Cover - ICV	Green/Green	132	4.10	20PR
312BCSAND	10" Round Corrugated Box, Round Overlapping Cover - ICV	Sand/Sand	132	4.00	20PR
312BCBSAND	10" Round Corrugated Box, Overlapping Bolt-Down Cover - ICV	Sand/Sand	132	4.10	20PR
312BCRBLK	10" Round Overlapping Reclaimed Cover	Black/Black	132	4.70	20PR
312PBCR	10" Round Corrugated Box, Round Overlapping Cover - Reclaimed Water	Purple/Purple	132	4.00	20PR
312PBCBR	10" Round Corrugated Box, Overlapping Bolt-Down Cover - Reclaimed Water	Purple/Purple	132	4.10	20PR
Cover Only					
311C	10" Round Overlapping Cover - ICV	Green	200	1.50	20PR
311CSAND	10" Round Overlapping Cover - ICV	Sand	200	1.50	20PR
311CR	10" Round Overlapping Cover - Reclaimed Water	Purple	200	1.50	20PR
311CRBLK	10" Round Overlapping Cover	Black	200	1.48	20PR
Box Only					
312BSAND	10" Round Corrugated Box	Sand	132	2.50	20PR
312PB	10" Round Corrugated Box	Purple	132	2.50	20PR
211BB	2-1/2" x 3/8" SS Bolt	Steel	10/bag	0.10	20PR
312B	10" Round Corrugated Box	Green	132	2.50	20PR

VALVE BOXES

NDS PRO SERIES PLUS VALVE BOXES – NEXT-GENERATION COMMERCIAL GRADE

NDS Pro Series Plus 14" x 19" Corrugated Irrigation Valve Boxes

Specifications: The NDS PRO SERIES PLUS 14" x 19" body is tapered and has a minimum wall thickness of 0.187". The body has a double wall at the top cover seat area with a minimum thickness of 0.200". The cover seat area has 18 structural support ribs on the underside of the seat, each with a minimum thickness of 0.200". The bottom of the body has a 0.500" flange. The 14" x 19" cover has an average thickness of 0.200". The valve box has a 3/8" 304 Brass nut for the bolt-down as a standard feature.

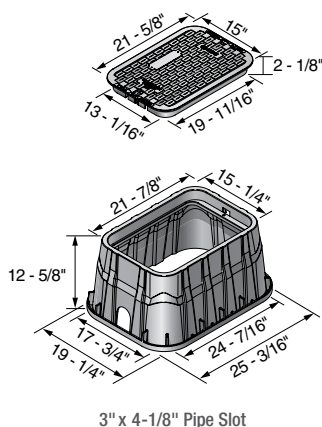


Part No.	Description - Marking	Color (Box/Cover)	Pallet Qty.	Wt. Ea. lbs.	Product Class
Box & Cover					
314BC	14" x 19" Box, Overlapping Cover - ICV	Green/Green	84	7.30	20PR
314BCB	14" x 19" Corrugated Box, Overlapping Bolt-Down Cover - ICV	Green/Green	84	7.40	20PR
314BCNH	14" x 19" Corrugated Box w/ No Holes, Overlapping Cover - ICV	Green/Green	84	7.30	20PR
314BCSAND	14" x 19" Box, Overlapping Cover - ICV	Sand/Sand	84	7.30	20PR
314BCSAND	14" x 19" Corrugated Box, Overlapping Bolt-Down Cover - ICV	Sand/Sand	84	7.40	20PR
314BNHCWG	14" x 19" Corrugated Box w/ No Holes, Overlapping Cover - Reclaimed Water	Purple/Purple	84	7.30	20PR
314PBCR	14" x 19" Box, Overlapping Cover - Reclaimed Water	Purple/Purple	84	7.30	20PR
314BCRBLK	14" x 19" Overlapping Reclaimed Cover	Black	84	8.50	20PR
314PBCBR	14" x 19" Corrugated Box, Overlapping Bolt-Down Cover - Reclaimed Water	Purple/Purple	84	7.40	20PR
314PBCR NH	14" x 19" Corrugated Box w/ No Holes, Overlapping Cover - Reclaimed Water	Purple/Purple	84	7.30	20PR
314BCRG	14" x 19" Box, 14" x 19" Overlapping Cover - Reclaimed Water	Green/Green	84	7.30	20PR
Cover Only					
313C	14" x 19" Overlapping Cover - ICV	Green	300	2.30	20PR
313CSAND	14" x 19" Overlapping Cover - ICV	Sand	300	2.30	20PR
313CR	14" x 19" Overlapping Cover - Reclaimed Water	Purple	300	2.30	20PR
313CRG	14" x 19" Overlapping Cover - Reclaimed Water	Green	300	2.30	20PR
314CW	14" x 19" Overlapping Cover - Water	Green	300	2.30	20PR
Box Only					
314B	14" x 19" Box	Green	84	5.00	20PR
314BBLK	14" x 19" Box	Black	84	5.41	20PR
314BSAND	14" x 19" Box	Sand	84	5.00	20PR
314PB	14" x 19" Box	Purple	84	5.00	20PR
314BNH	14" x 19" Corrugated Box w/ No Holes	Green	84	5.00	20PR
314PBNH	14" x 19" Corrugated Box w/ No Holes	Purple	84	5.00	20PR
214-6	14" x 19" x 6" Extension	Green	49	4.00	20PR
113BB	2-1/2" x 3/8" SS Bolt	Steel	(Bag of 10)	0.10	20NM

NDS Pro Series Plus 13" x 20" Jumbo Corrugated Valve Boxes

Specifications: The NDS PRO SERIES PLUS 13" x 20" body is tapered and has a minimum wall thickness of 0.250". The body has a double wall at the top cover seat area with a minimum thickness of 0.250". The cover seat area has 22 structural support ribs on the underside of the seat, each with a minimum thickness of 0.130". The bottom of the body has a 0.500" flange. The 13" x 20" cover has an average thickness of 0.250". The valve box has a 3/8" 304 Brass nut for the bolt-down as a standard feature.

VALVE BOXES



Part No.	Description - Marking	Color (Box/Cover)	Pallet Qty.	Wt. Ea. lbs.	Product Class
Box & Cover					
318BC	13" x 20" Jumbo Box, Overlapping Cover - ICV	Green/Green	56	14.25	20PR
318BCB	13" x 20" Corrugated Jumbo Box, Overlapping Bolt-Down Cover - ICV	Green/Green	56	14.35	20PR
318BCSAND	13" x 20" Jumbo Box, Overlapping Cover - ICV	Sand/Sand	56	14.25	20PR
318PBCR	13" x 20" Jumbo Box, Overlapping Cover - Reclaimed Water	Purple/Purple	56	14.25	20PR
318PBCBR	13" x 20" Corrugated Jumbo Box, Overlapping Bolt-Down Cover - Reclaimed Water	Purple/Purple	56	14.35	20PR
Cover Only					
317C	13" x 20" Overlapping Cover - ICV	Green	180	5.05	20PR
317CSAND	13" x 20" Overlapping Cover - ICV	Sand	180	5.05	20PR
317CR	13" x 20" Overlapping Cover - Reclaimed Water	Purple	180	5.05	20PR
Box Only					
318B	13" x 20" Jumbo Box	Green	56	9.20	20PR
318BSAND	13" x 20" Jumbo Box	Sand	56	9.20	20PR
318PB	13" x 20" Jumbo Box	Purple	56	9.20	20PR
113BB	2-1/2" x 3/8" SS Bolt	Steel	(Bag of 10)	0.10	20NM

NDS PRO SERIES VALVE BOXES – COMMERCIAL GRADE

Pro Series Valve Boxes by NDS

- Engineered specifically for the professional contractor and heavy-duty use
- Superior strength for commercial and utility applications

Details

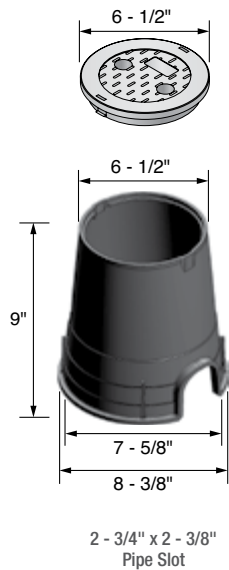
- Thicker wall dimensions for increased strength and durability
- Reinforced covers for heavier loads
- Reinforced ribs offer exceptional sidewall strength
- Stainless steel nut on boxes for bolt-down capability

Materials and Standards

- High-impact, high-density structural foam polyethylene construction
- Overlapping covers prevent dirt and grass from settling in between body and cover
- UV inhibitors prevent discoloration and cracking

NDS Pro Series 6" Round Valve Boxes

Specifications: The NDS PRO SERIES 6" round body is tapered and has a minimum wall thickness of 0.200". The body has a double wall at the top cover seat area with a minimum thickness of 0.130". The bottom of the body has a 0.250" flange. The 6" round cover has an average thickness of 0.187".

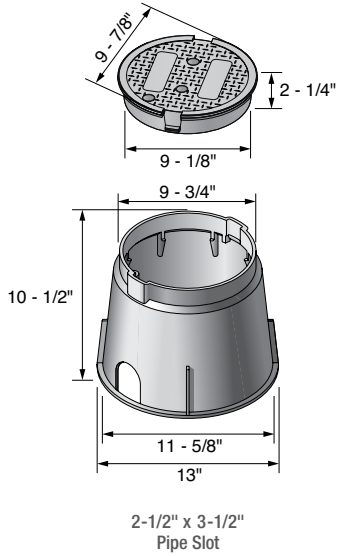


Part No.	Description - Marking	Color (Box/Cover)	Pallet Qty.	Wt. Ea. lbs.	Product Class
Box & Cover					
208BC	6" Round Box, Round Overlapping Cover - ICV	Green/Green	250	1.50	20PR
208BCW	6" Round Box, Round Overlapping Cover - Water	Green/Green	250	1.50	20PR
208BCS	6" Round Box, Round Overlapping Cover - Sewer	Green/Green	250	1.50	20PR
Cover Only					
107C	6" Round Overlapping Cover - ICV	Green	800	0.40	20ND
107CW	6" Round Overlapping Cover - Water	Green	800	0.40	20NM
107CS	6" Round Overlapping Cover - Sewer	Green	800	0.40	20nm
Box Only					
208B	6" Round Box	Green	250	1.10	20PR

NDS PRO SERIES VALVE BOXES – COMMERCIAL GRADE

NDS Pro Series 10" Round Valve Boxes

Specifications: The NDS PRO SERIES 10" round body is tapered and has a minimum wall thickness of 0.250". The cover seat area has 8 structural support ribs on the underside of the seat, each with a minimum thickness of 0.250". The bottom of the body has a 0.500" flange. The 10" round cover has an average thickness of 0.300". The valve box has a 3/8" 304 Brass nut for the bolt-down as a standard feature.

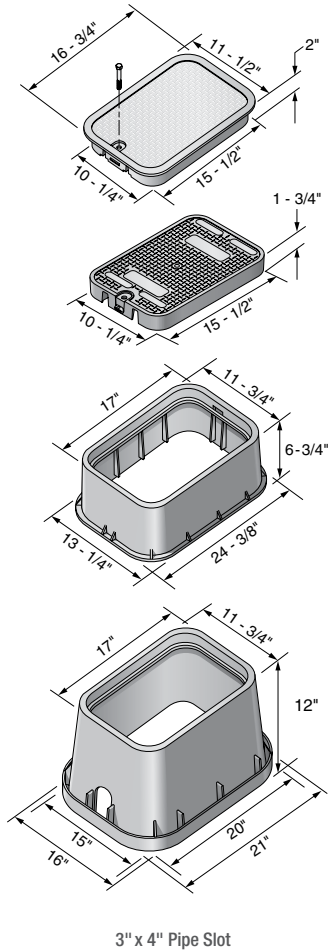


Part No.	Description - Marking	Color (Box/Cover)	Pallet Qty.	Wt. Ea. lbs.	Product Class
Box & Cover					
212BC	10" Round Box, Round Overlapping Cover - ICV	Green/Green	120	4.50	20PR
212BCB	10" Round Box, Round Overlapping Bolt-Down Cover - ICV	Green/Green	120	4.60	20PR
211BCBLK	10" Round Box, Round Overlapping Cover - ICV	Black/Black	120	4.50	20PR
211PBCR	10" Round Box, Round Overlapping Cover - Reclaimed Water	Purple/Purple	120	4.50	20PR
212BCW	10" Round Box, Round Overlapping Cover - Water	Green/Green	120	4.50	20PR
212BCBW	10" Round Box, Round Overlapping Bolt-Down Cover - Water	Green/Green	120	4.60	20PR
212BCS	10" Round Box, Round Overlapping Cover - Sewer	Green/Green	120	4.50	20PR
212BCBS	10" Round Box, Round Overlapping Bolt-Down Cover - Sewer	Green/Green	120	4.60	20PR
212BC ELEC	10" Round Box, Round Overlapping Cover - Electrical	Gray/Gray	120	4.50	20PR
212BCB ELEC	10" Round Box, Round Overlapping Bolt-Down Cover - Electrical	Gray/Gray	120	4.60	20PR
Cover Only					
211C	10" Round Overlapping Cover - ICV	Green	200	1.50	20PR
211CR	10" Round Overlapping Cover - Reclaimed Water	Purple	200	1.50	20PR
211CRG	10" Round Overlapping Cover - Reclaimed Water	Green	200	1.50	20PR
211C BLK	10" Round Overlapping Cover - ICV	Black	200	1.50	20PR
211CW	10" Round Overlapping Cover - Water	Black	200	1.50	20PR
211CWG	10" Round Overlapping Cover - Water	Green	200	1.40	20PR
211CS	10" Round Overlapping Cover - Sewer	Green	200	1.50	20PR
211C ELEC	10" Round Overlapping Cover - Electrical	Gray	200	1.50	20PR
211PBCBR	10" Round Reclaimed ICV and Bolted Cover	Purple/Purple	120	4.50	20PR
Box Only					
212B	10" Round Box	Green	120	3.00	20PR
212PB	10" Round Box	Purple	120	3.00	20PR
212B BLK	10" Round Box	Black	120	3.00	20PR
212B GRAY	10" Round Box	Gray	120	3.00	20PR
113BB	2-1/2" x 3/8" SS Bolt	Steel	(Bag of 10)	0.10	20NM

NDS PRO SERIES VALVE BOXES – COMMERCIAL GRADE

NDS Pro Series 14" x 19" Rectangular Valve Boxes

Specifications: The NDS PRO SERIES 14" x 19" body is tapered and has a minimum wall thickness of 0.200". The body has a double wall at the top cover seat area with a minimum thickness of 0.250". The cover seat area has 16 structural support ribs on the underside of the seat, each with a minimum thickness of 0.250". The bottom of the body has a 0.500" flange. The 14" x 19" cover has an average thickness of 0.300". The valve box has a 3/8" 304 Brass nut for the bolt-down as a standard feature.

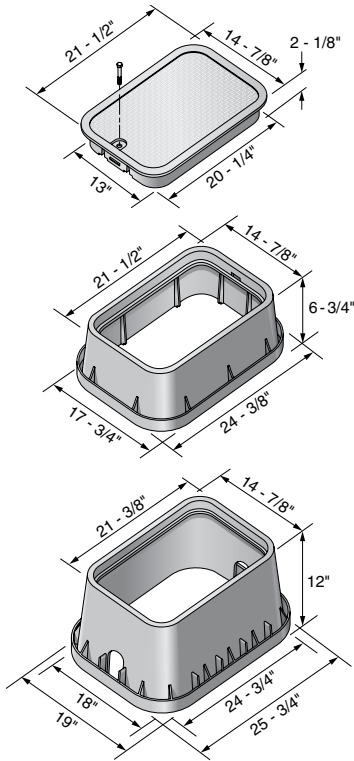


Part No.	Description - Marking	Color (Box/Cover)	Pallet Qty.	Wt. Ea. lbs.	Product Class
Box & Cover					
214BC	14" x 19" Box, Overlapping Cover - ICV	Green/Green	78	9.00	20PR
213BCBLK	14" x 19" Box, Overlapping Cover - ICV	Black/Black	78	9.00	20PR
216	14" x 19" x 6" Extension, Overlapping Cover - ICV	Green/Green	49	9.00	20PR
216BCB	14" x 19" x 6" Extension, Overlapping Bolt-Down Cover - ICV	Green/Green	49	9.10	20PR
213PBCR	14" x 19" Box, Overlapping Cover - Reclaimed Water	Purple/Purple	78	9.00	20PR
214BCW	14" x 19" Box, Overlapping Cover - Water	Green/Green	78	10.30	20PR
214BCS	14" x 19" Box, Overlapping Cover - Sewer	Green/Green	78	9.00	20PR
214BCB ELEC	14" x 19" Box, Overlapping Bolt-Down Cover - Electrical	Gray/Gray	78	9.10	20PR
Cover Only					
213C	14" x 19" Overlapping Cover - ICV	Green	300	2.50	20PR
213CB	14" x 19" Overlapping Cover - ICV	Black	300	2.50	20PR
213CW	14" x 19" Overlapping Cover - Water	Green	300	2.50	20PR
213CS	14" x 19" Overlapping Cover - Sewer	Green	300	2.50	20PR
213CDW	14" x 19" Pro Series Drop In Cover - Water	Green	200	2.40	20PR
213C ELEC	14" x 19" Overlapping Cover - Electrical	Green	300	2.50	20PR
Box Only					
214B	14" x 19" Box	Green	78	6.00	20PR
214-6	14" x 19" x 6" Extension	Green	49	4.00	20PR
214B CAL	14" x 19" Box w/ No Holes	Green	78	6.00	20PR
214B GRAY	14" x 19" Box	Gray	78	6.00	20PR
113BB	2-1/2" x 3/8" SS Bolt	Steel	(Bag of 10)	0.10	20NM

NDS PRO SERIES VALVE BOXES – COMMERCIAL GRADE

NDS Pro Series 13" x 20" Jumbo Rectangular Valve Boxes

Specifications: The NDS PRO SERIES 13" x 20" body is tapered and has a minimum wall thickness of 0.250". The body has a double wall at the top cover seat area with a minimum thickness of 0.250". The cover seat area has 16 structural support ribs on the underside of the seat, each with a minimum thickness of 0.250". The bottom of the body has a 0.500" flange. The 13" x 20" cover has an average thickness of 0.250". The valve box has a 3/8" 304 Brass nut for the bolt-down as a standard feature.



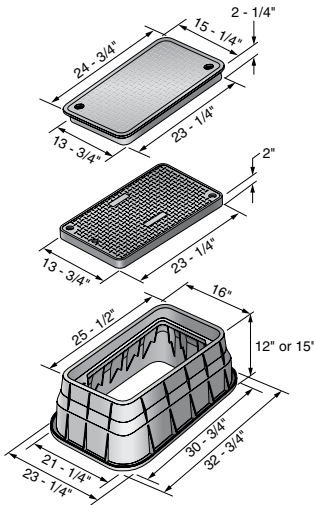
3" x 4" Pipe Slot

Part No.	Description - Marking	Color (Box/Cover)	Pallet Qty.	Wt. Ea. lbs.	Product Class
Box & Cover					
218BC	13" x 20" Jumbo Box, Overlapping Cover - ICV	Green/Green	56	14.00	20PR
218BCB	13" x 20" Jumbo Box, Overlapping Bolt-Down Cover - ICV	Green/Green	56	14.10	20PR
220	13" x 20" x 6" Jumbo Extension, Overlapping Cover - ICV	Green/Green	32	11.00	20PR
217PBCR	13" x 20" Jumbo Box, Overlapping Cover - Reclaimed Water	Purple/Purple	56	14.00	20PR
218BCW	13" x 20" Jumbo Box, Overlapping Cover - Water	Green/Green	56	14.00	20PR
218BCS	13" x 20" Jumbo Box, Overlapping Cover - Sewer	Green/Green	56	14.00	20PR
218BCBS	13" x 20" Jumbo Box, Overlapping Bolt-Down Cover - Sewer	Green/Green	56	14.10	20PR
Cover Only					
217C	13" x 20" Overlapping Cover - ICV	Green	180	5.00	20PR
217CW	13" x 20" Overlapping Cover - Water	Green	180	5.00	20PR
217CS	13" x 20" Jumbo Overlapping Cover - Sewer	Green	180	5.00	20PR
217CR	13" x 20" Jumbo Overlapping Cover - Reclaimed Water	Purple	180	5.00	20PR
Box Only					
218B	13" x 20" Jumbo Box	Green	56	9.00	20PR
218-6	13" x 20" x 6" Jumbo Extension	Green	32	6.00	20PR
113BB	2-1/2" x 3/8" SS Bolt	Steel	(Bag of 10)	0.10	20NM

NDS PRO SERIES VALVE BOXES – COMMERCIAL GRADE

NDS Pro Series 13" x 24" Rectangular Valve Boxes

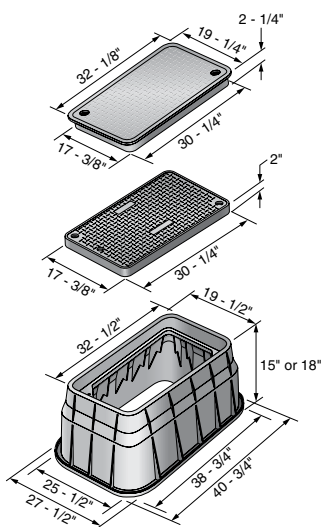
Specifications: The NDS PRO SERIES 13" x 24" body is tapered and has a minimum wall thickness of 0.270". The body has a double wall at the top cover seat area with a minimum thickness of 0.270". The cover seat area has 18 structural support ribs on the underside of the seat, each with a minimum thickness of 0.250". The bottom of the body has a 1.000" flange. The 13" x 24" cover has an average thickness of 0.320". The valve box has a 3/8" 304 Brass nut for the bolt-down as a standard feature.



Part No.	Description - Marking	Color (Box/Cover)	Pallet Qty.	Wt. Ea. lbs.	Product Class
Box & Cover					
221BCB	13" x 24" x 12" Box, Overlapping Bolt-Down Cover - ICV	Green/Green	12	24.00	20PR
222BCB	13" x 24" x 15" Box, Overlapping Bolt-Down Cover - ICV	Green/Green	12	26.00	20PR
222BCB BLK (MTO)	13" x 24" x 15" Box, Overlapping Bolt-Down Cover - ICV	Black/Black	12	26.00	20PR
221BCDB (MTO)	13" x 24" x 12" Box, Drop-in Bolt-Down Cover - ICV	Green/Green	12	24.00	20PR
222BCDB	13" x 24" x 15" Box, Drop-in Bolt-Down Cover - ICV	Green/Green	12	26.00	20PR
Cover Only					
222C	13" x 24" Overlapping Cover - ICV	Green	125	7.00	20PR
222CD	13" x 24" Drop-in Cover - ICV	Green	125	7.00	20PR
222CD ELEC-L-BOLT	13" x 24" Drop-in Cover - Electric**	Gray	125	7.00	20NM
**Note – Installer responsible for ensuring product meets local building/electrical code requirements. Insulate bolt with 1/2" x 2-3/4" heat shrink tube and/or a ground rod clamp (such as Thomas & Betts Part Number 63) to reduce the chance of electrical shock.					
Box Only					
221B	13" x 24" x 12" Box	Green	16	17.00	20PR
222B	13" x 24" x 15" Box	Green	12	19.00	20PR

NDS Pro Series 17" x 30" Rectangular Valve Boxes

Specifications: The NDS PRO SERIES 17" x 30" body is tapered and has a minimum wall thickness of 0.320". The body has a double wall at the top cover seat area with a minimum thickness of 0.320". The cover seat area has 20 structural support ribs on the underside of the seat, each with a minimum thickness of 0.250". The bottom of the body has a 1.000" flange. The 17" x 30" cover has an average thickness of 0.350". The valve box shall have a 3/8" 304 S5 nut for the bolt-down as a standard feature.



Part No.	Description - Marking	Color (Box/Cover)	Pallet Qty.	Wt. Ea. lbs.	Product Class
Box & Cover					
224BCB	17" x 30" x 15" Box, Overlapping Bolt-Down Cover - ICV	Green/Green	12	28.00	20PR
226BCB	17" x 30" x 18" Box, Overlapping Bolt-Down Cover - ICV	Green/Green	10	37.00	20PR
226BCB BLK (MTO)	17" x 30" x 18" Box, Overlapping Bolt-Down Cover - ICV	Black/Black	10	37.00	20PR
224BCDB	17" x 30" x 15" Box, Drop-in Bolt-Down Cover - ICV	Green/Green	12	28.00	20PR
226BCDB	17" x 30" x 18" Box, Drop-in Bolt-Down Cover - ICV	Green/Green	10	37.00	20PR
226PBCRB	17" x 30" x 18" Box, Overlapping Cover - Reclaimed Water	Purple/Purple	10	37.00	20PR
Cover Only					
223C	17" x 30" Overlapping Cover - ICV	Green	75	11.00	20PR
223CD	17" x 30" Drop-in Cover - ICV	Green	75	11.00	20PR
223CR	17" x 30" Overlapping Cover - Reclaimed Water	Purple	75	11.00	20PR
223CDS	17" x 30" Pro Series Drop in Cover - Sewer	N/A	75	11.00	20PR
223CD ELEC	17" x 30" Drop-in Cover - Electric	Gray	75	11.00	20PR
Box Only					
224B	17" x 30" x 15" Box	Green	12	20.00	20PR
226B	17" x 30" x 18" Box	Green	12	20.00	20PR
226B GRAY	17" x 30" x 18" Valve Box	Gray	5	23.00	20PR
126PB	17" x 30" x 18" Box	Purple	10	23.00	20ND

NDS STANDARD SERIES VALVE BOXES – RESIDENTIAL/COMMERCIAL GRADE

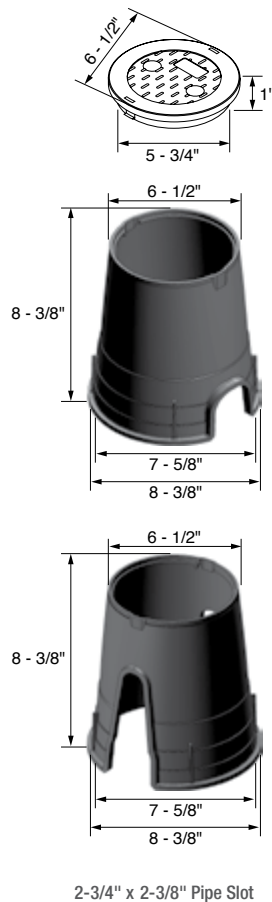
Standard Series Valve Boxes by NDS

NDS valve, meter and access boxes are offered in a wide range of sizes from the 6-inch round valve box to the 17" x 30" rectangular box. They are available with black, green, purple, gray and sand covers with designations including irrigation control valve, water, sewer, electric, reclaimed water, cable TV, telephone and others.

- Covers are identified with ICV (Irrigation Control Valve) designation, unless otherwise specified
- Overlapping covers prevent dirt and grass from settling between body and cover
- The bayonet twist-on cover ensures easy removal on 7-inch and 10-inch round covers
- 6" Snap cover and body available
- The 10-inch round and all rectangular boxes include a brass insert, so bolts may be easily added for lockdown
- UV inhibitors prevent discoloration and deterioration, such as cracking or blistering
- Standard cover color and designations:
ICV – Green, Water – Black, Sewer – Green, CATV – Black, Reclaimed – Purple, Telephone – Black, Electric – Gray
- Stainless steel nut on boxes for bolt-down capability
- Injection-molded of structural foam polyolefin with a melt index between 10-12

NDS Standard Series 6" Round Valve Boxes

Specifications: The NDS STANDARD SERIES 6" round body is tapered and has a minimum wall thickness of 0.200". The body has a double wall at the top cover seat area with a minimum thickness of 0.130". The bottom of the body has a 0.250" flange. The 6" round cover has an average thickness of 0.187".

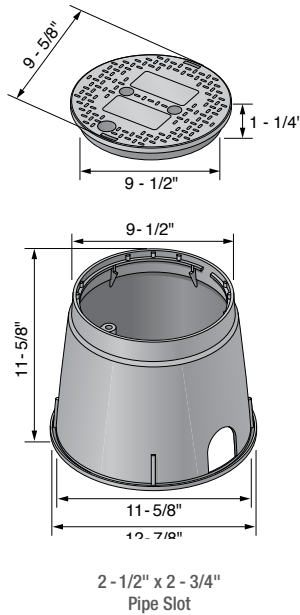


Part No.	Description - Marking	Color (Box/Cover)	Pallet Qty.	Wt. Ea. lbs.	Product Class
Box & Cover					
107BC	6" Round Box, Round Overlapping Cover - ICV	Black/Green	250	1.50	20ND
107BCH	6" Round Snap-in Valve Box, Round Snap-in Overlapping Cover - ICV	Black/Green	250	1.50	20ND
107BCGR	6" Round ICV Box and Cover	Black/Green	250	1.50	20ND
107BC CTN	6" Round ICV Box and Cover	Black/Green	108	1.05	20ND
107BCW	6" Round Box, Overlapping Solid Plastic Cover - Water	Green	250	1.50	20NM
107BC SAND	6" Round Box, Round Overlapping Cover - ICV	Sand/Sand	250	1.50	20ND
107EBC	6" Round Emitter Box, Round Overlapping Cover - Emitter Box	Black/Green	250	1.50	20ND
107BCR	6" Round Box, Round Overlapping Cover - Reclaimed Water	Black/Purple	250	1.50	20ND
107PBCR	6" Round Box, Overlapping Cover - Reclaimed Water	Purple/Purple	250	1.50	20ND
107EBCR	6" Round Emitter Box, Round Overlapping Cover - Emitter Box	Black/Purple	250	1.50	20ND
107BCS	6" Round Box, Overlapping Cover - Sewer	Black/Green	250	1.50	20NM
Cover Only					
107C	6" Round Overlapping Cover - ICV	Green	800	0.40	20ND
107C SAND	6" Round Overlapping Cover - ICV	Sand	800	0.40	20ND
107CH	6" Round Snap-in Overlapping Cover - ICV	Green	1200	0.40	20ND
107CS	6" Round Overlapping Cover - Sewer	Green	800	0.40	20NM
107CR	6" Round Overlapping Cover - Reclaimed Water	Purple	800	0.40	20ND
107CW	6" Round Overlapping Cover - Water	Green	800	0.40	20NM
Box Only					
107B	6" Round Box	Black	250	1.10	20ND
107PB	6" Round Box	Purple	250	1.10	20ND
107B SAND	6" Round Box	Sand	250	1.10	20ND
106B	6" Round Snap-in Valve Box	Black	250	1.10	20ND
107EB	6" Round Emitter Box	Black	250	1.10	20ND

NDS STANDARD SERIES VALVE BOXES – RESIDENTIAL/COMMERCIAL GRADE

NDS Standard Series 10" Round Valve Boxes

Specifications: The NDS STANDARD SERIES 10" round body is tapered and has a minimum wall thickness of 0.200". The cover seat area has 6 structural support ribs on the underside of the seat, each with a minimum thickness of 0.250". The bottom of the body has a 0.500" flange. The 10" round cover has an average thickness of 0.250". The valve box has a 5/16" 304 Brass nut for the bolt-down as a standard feature.

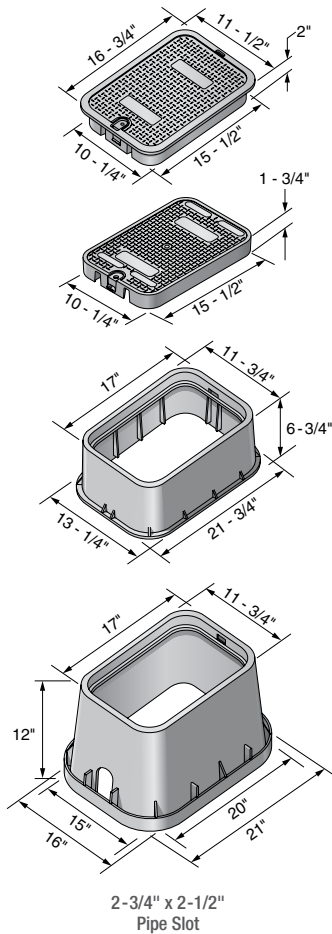


Part No.	Description - Marking	Color (Box/Cover)	Pallet Qty.	Wt. Ea. lbs.	Product Class
Box & Cover					
111BC	10" Round Box, Round Overlapping Cover - ICV	Black/Green	180	3.00	20ND
111BCB	10" Round Box, Round Overlapping Bolt-Down Cover - ICV	Black/Green	180	3.00	20ND
111BC CTN	10" Round ICV Box and Cover	N/A	72	3.90	20ND
111BC SAND	10" Round Box, Round Overlapping Cover - ICV	Sand/Sand	180	3.00	20ND
111BCR	10" Round Box, Round Overlapping Cover - Reclaimed Water	Black/Purple	180	3.00	20ND
111BCGR	10" Round ICV Box and Cover	Black/Green	180	3.00	20NM
111PBCR	10" Round Box, Round Overlapping Cover - Reclaimed Water	Purple/Purple	180	3.00	20ND
111BCW	10" Round Box, Round Overlapping Cover - Water	Black/Green	180	3.00	20NM
111BCS	10" Round Box, Overlapping Cover - Sewer	Black/Green	180	3.00	20NM
111BCBS	10" Round Box, Overlapping Bolt-Down Cover - Sewer	Black/Green	180	3.00	20NM
Cover Only					
111C	10" Round Overlapping Cover - ICV	Green	300	1.00	20ND
111C SAND	10" Round Overlapping Cover - ICV	Sand	300	1.00	20ND
111CR	10" Round Overlapping Cover - Reclaimed Water	Purple	300	1.00	20ND
111CE-GY	10" Round Overlapping Cover - Electrical	Gray	300	1.00	20NM
111CW	10" Round Overlapping Cover - Water	Green	300	1.00	20NM
111CS	10" Round Overlapping Cover - Sewer	Green	300	1.00	20NM
Box Only					
111B	10" Round Box	Black	180	2.00	20NM
111B SAND	10" Round Box	Sand	180	2.00	20ND
111PB	10" Round Box	Purple	180	2.00	20ND
111BB	1-1/4" x 5/16" SS Bolt	Steel	(Bag of 10)	0.10	20ND
112B	10" Round Box	Green	180	2.00	20ND

NDS STANDARD SERIES VALVE BOXES – RESIDENTIAL/COMMERCIAL GRADE

NDS Standard Series 14" x 19" Rectangular Valve Boxes

Specifications: The NDS STANDARD SERIES 14" x 19" body is tapered and has a minimum wall thickness of 0.200". The body has a double wall at the top cover seat area with a minimum thickness of 0.250". The cover seat area has 16 structural support ribs on the underside of the seat, each with a minimum thickness of 0.250". The bottom of the body has a 0.500" flange. The 14" x 19" cover has an average thickness of 0.250". The valve box has a 3/8" 304 Brass nut for the bolt-down as a standard feature.

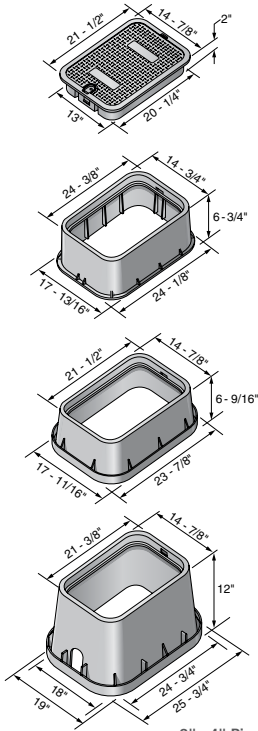


Part No.	Description - Marking	Color (Box/Cover)	Pallet Qty.	Wt. Ea. lbs.	Product Class
Box & Cover					
113BC	14" x 19" Box, Overlapping Cover - ICV	Black/Green	78	8.00	20ND
113BCB	12" x 17" ICV Box and Bolted Cover	Black/Green	78	8.00	20ND
113BC CTN	12" x 17" Valve Box Overlap ICV Cover	Black/Green	48	9.32	20ND
113BC SAND	14" x 19" Box, Overlapping Cover - ICV	Sand/Sand	78	8.00	20ND
113BCR	14" x 19" Box, Overlapping Cover - Reclaimed Water	Black/Purple	78	8.00	20ND
113PBCR	14" x 19" Box, Overlapping Cover - Reclaimed Water	Purple/Purple	78	8.00	20ND
113BCBW	14" x 19" Box, Overlapping Bolt-Down Cover - Water	Black/Black	78	8.10	20NM
113BCBS	14" x 19" Box, Overlapping Bolt-Down Cover - Sewer	Black/Green	78	8.10	20NM
113BCE	14" x 19" Box, Overlapping Cover - Electrical	Black/Green	78	8.00	20NM
113BCDS	14" x 19" Box, Drop-in Cover - Sewer	Black/Green	78	8.00	20NM
115	14" x 19" x 6" Box, Extension, Overlapping Cover - ICV	Black/Green	49	8.00	20ND
115TBC	14" x 19" x 6" Tapered Box, Overlapping Cover - ICV	Black/Green	96	6.00	20ND
116	14" x 19" x 6" Box, Extension, Overlapping Cover - ICV	Green/Green	49	8.00	20ND
116TBC	14" x 19" x 6" Tapered Box, Overlapping Cover - ICV	Green/Green	96	6.00	20ND
116TBC SAND	14" x 19" x 6" Tapered Box, Overlapping Cover - ICV	Sand/Sand	96	6.00	20ND
Cover Only					
113C	14" x 19" Overlapping Cover - ICV	Green	300	2.00	20ND
113C SAND	14" x 19" Overlapping Cover - ICV	Sand	300	2.00	20ND
113CR	14" x 19" Overlapping Cover - Reclaimed Water	Purple	300	2.00	20ND
113CE	14" x 19" Overlapping Cover - Electrical	Green	300	2.00	20NM
Box Only					
113B	14" x 19" Box	Black	78	6.00	20NM
114B-SAND	14" x 19" Box	Sand	78	6.00	20ND
113PB	14" x 19" Box	Purple	78	6.00	20ND
113-6	14" x 19" x 6" Extension	Black	49	4.00	20ND
116TB	14" x 19" x 6" Tapered Box	Green	96	4.00	20ND
116-SAND	14" x 19" x 6" Extension	Sand	49	6.00	20ND
116TB SAND	14" x 19" x 6" Tapered Box	Sand	96	4.00	20ND
113BB	2-1/2" x 3/8" SS Bolt	Steel	(Bag of 10)	0.10	20NM
114B	14" x 19" Box	Green	78	6.00	20ND

NDS STANDARD SERIES VALVE BOXES – RESIDENTIAL/COMMERCIAL GRADE

NDS Standard Series 13" x 20" Jumbo Rectangular Valve Boxes

Specifications: The NDS STANDARD SERIES 13" x 20" body is tapered and has a minimum wall thickness of 0.250". The body has a double wall at the top cover seat area with a minimum thickness of 0.250". The cover seat area has 16 structural support ribs on the underside of the seat, each with a minimum thickness of 0.250". The bottom of the body has a 0.500" flange. The 13" x 20" cover has an average thickness of 0.250". The valve box has a 3/8" 304 SS nut for the bolt-down as a standard feature.

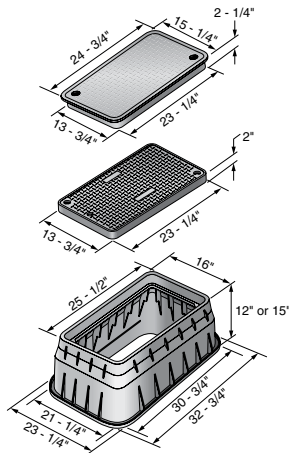


3" x 4" Pipe Slot

Part No.	Description - Marking	Color (Box/Cover)	Pallet Qty.	Wt. Ea. lbs.	Product Class
Box & Cover					
117BC	13" x 20" Jumbo Box, Overlapping Cover - ICV	Black/Green	56	14.00	20ND
117BC SAND	13" x 20" Jumbo Box, Overlapping Cover - ICV	Sand/Sand	56	14.00	20ND
117BCS	13" x 20" Jumbo Box, Overlapping Cover - Sewer	Black/Green	56	14.00	20NM
118BC	Jumbo Box and Cover	Green/Green	56	14.00	20ND
118TBC	12" x 20" x 6" Tapered Box and Cover	Green/Green	56	14.00	20ND
119	13" x 20" x 6" Jumbo Extension, Overlapping Cover - ICV	Black/Green	32	12.00	20ND
119TBC	13" x 20" x 6" Tapered Box, Overlapping Cover - ICV	Black/Green	56	12.00	20ND
119 SAND	13" x 20" x 6" Jumbo Extension, Overlapping Cover - ICV	Sand/Sand	32	12.00	20ND
Cover Only					
117C	13" x 20" Overlapping Cover - ICV	Green	180	5.00	20ND
117CD	Jumbo Box ICV Cover	Green	180	1.30	20ND
117C SAND	13" x 20" Overlapping Cover - ICV	Sand	180	5.00	20ND
117CS	13" x 20" Jumbo Overlapping Cover - Sewer	Green	180	5.00	20NM
Box Only					
117B	13" x 20" Jumbo Box	Black	56	9.00	20NM
117-6	13" x 20" x 6" Jumbo Extension	Black	32	6.00	20ND
118TB	12" x 20" x 6" Tapered Box	Green	56	6.15	20ND
119TB	13" x 20" x 6" Tapered Box	Black	56	6.00	20ND
113BB	2-1/2" x 3/8" SS Bolt	Steel	(Bag of 10)	0.10	20NM

NDS Standard Series 13" x 24" Rectangular Valve Boxes

Specifications: The NDS STANDARD SERIES 13" x 24" body is tapered and has a minimum wall thickness of 0.270". The body has a double wall at the top cover seat area with a minimum thickness of 0.270". The cover seat area has 18 structural support ribs on the underside of the seat, each with a minimum thickness of 0.250". The bottom of the body has a 1.000" flange. The 13" x 24" cover has an average thickness of 0.320". The valve box has a 3/8" 304 SS nut for the bolt-down as a standard feature.



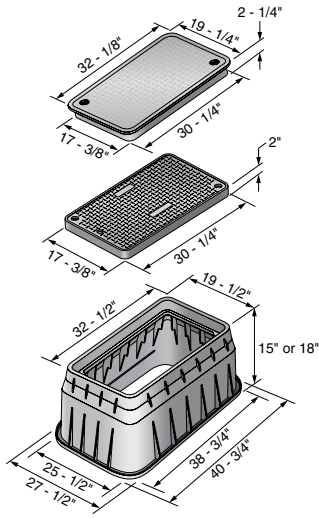
Part No.	Description - Marking	Color (Box/Cover)	Pallet Qty.	Wt. Ea. lbs.	Product Class
Box & Cover					
121BCB	13" x 24" x 12" Box, Overlapping Bolt-Down Cover - ICV	Black/Green	12	24.00	20ND
125BCB	13" x 24" x 15" Box, Overlapping Bolt-Down Cover - ICV	Black/Green	12	26.00	20ND
121BCDB	13" x 24" x 12" Box, Drop-in Bolt-Down Cover - ICV	Black/Green	12	24.00	20ND
125BCDB	13" x 24" x 15" Box, Drop-in Bolt-Down Cover - ICV	Black/Green	12	26.00	20ND
125PBCRB	13" x 24" x 15" Box, Overlapping Cover - Reclaimed Water	Black/Purple	12	26.00	20ND
Cover Only					
121CR	13" x 24" Overlapping Reclaimed Cover	Purple	125	7.00	20ND
222C	13" x 24" Overlapping Cover - ICV	Green	125	7.00	20PR
Box Only					
125B	13" x 24" x 15" Box	Black	12	19.00	20NM

VALVE BOXES

NDS STANDARD SERIES VALVE BOXES – RESIDENTIAL/COMMERCIAL GRADE

NDS Standard Series 17" x 30" Rectangular Valve Boxes

Specifications: The NDS STANDARD SERIES 17" x 30" body is tapered and has a minimum wall thickness of 0.320". The body has a double wall at the top cover seat area with a minimum thickness of 0.320". The cover seat area has 20 structural support ribs on the underside of the seat, each with a minimum thickness of 0.250". The bottom of the body has a 1.000" flange. The 17" x 30" cover has an average thickness of 0.350". The valve box has a 3/8" 304 Brass nut for the bolt-down as a standard feature.



Part No.	Description - Marking	Color (Box/Cover)	Pallet Qty.	Wt. Ea. lbs.	Product Class
Box & Cover					
124BCB	17" x 30" x 15" Box, Overlapping Bolt-Down Cover - ICV	Black/Green	12	28.00	20ND
126BCB	17" x 30" x 18" Box, Overlapping Bolt-Down Cover - ICV	Black/Green	6	37.00	20ND
124BCDB	17" x 30" x 15" Box, Drop-in Bolt-Down Cover - ICV	Black/Green	12	28.00	20ND
126BCDB	17" x 30" x 18" Box, Drop-in Bolt-Down Cover - ICV	Black/Green	10	37.00	20ND
Cover Only					
223C	17" x 30" Overlapping Cover - ICV	Green	75	11.00	20PR
223CR	17" x 30" Overlapping Cover - Reclaimed Water	Purple	75	11.00	20PR
Box Only					
124B	17" x 30" x 15" Box	Black	12	20.00	20NM
126B	17" x 30" x 18" Box	Black	10	23.00	20NM

NDS STANDARD SERIES VALVE BOXES – RESIDENTIAL GRADE

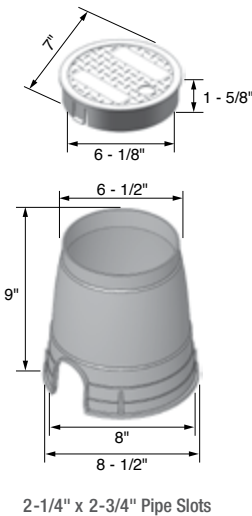
Valve Boxes by NDS

NDS Valve Boxes are designed to offer years of service under the most demanding outdoor conditions.

- Overlapping and drop-in covers available
- Overlapping covers prevent dirt and grass from settling between body and cover, making it easier to remove over time
- Available in round, oval, and rectangular
- One-piece molded of polyolefins with a melt index between 10-12
- UV inhibitors added to aid in preventing discoloration and cracking

NDS 6" Round Valve Boxes

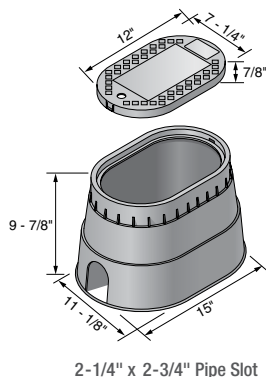
Specifications: NDS 6" round body is tapered and has a minimum wall thickness of 0.130". The body has a double wall at the top cover seat area with a minimum thickness of 0.125". The bottom of the body has a 0.250" flange. The 6" round cover has an average thickness of 0.150".



Part No.	Description - Marking	Color (Box/Cover)	Pallet Qty.	Wt. Ea. lbs.	Product Class
Box & Cover					
D108-G	6" Valve Box and Overlapping Cover - ICV	Green/Green	600	1.20	20ND
D109-G	6" Round Box, 6" Round Cover - ICV	Black/Green	600	1.20	20DV
D109-P	6" Round Box, 6" Round Cover - Reclaimed Water	Black/Purple	600	1.21	20DV
D109-GBOX	6" Round Box, 6" Round Cover - ICV	Black/Green	36 Box/ 900 Pall.	1.20	20DV
Cover Only					
D109-GL	6" Round Cover - ICV	Green	600	0.40	20DV
D109-PL	6" Round Cover - Reclaimed Water	Purple	600	0.40	20DV
Box Only					
D109-B/O	6" Round Box	Black	600	0.80	20ME

NDS 8" x 12" Oval Valve Boxes

Specifications: NDS 8" x 12" body is tapered and has a minimum wall thickness of 0.187". The body has a double wall at the top cover seat area with a minimum thickness of 0.200". The cover seat area has 10 structural support ribs on the underside of the seat, each with a minimum thickness of 0.150". The bottom of the body has a 0.375" flange. The 8" x 12" cover shall have an average thickness of 0.150".

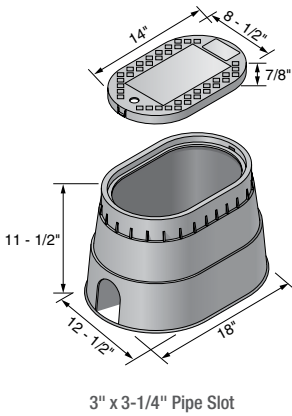


Part No.	Description - Marking	Color (Box/Cover)	Pallet Qty.	Wt. Ea. lbs.	Product Class
Box & Cover					
M2-SG	8" x 12" Box, Drop-in Cover - Control Valve	Black/Green	132	4.00	20ND
Cover Only					
M2-SG-LID	8" x 12", Drop-in Cover	Green	132	0.719	20ND

NDS STANDARD SERIES VALVE BOXES – RESIDENTIAL GRADE

NDS 8" x 14" Oval Valve Boxes

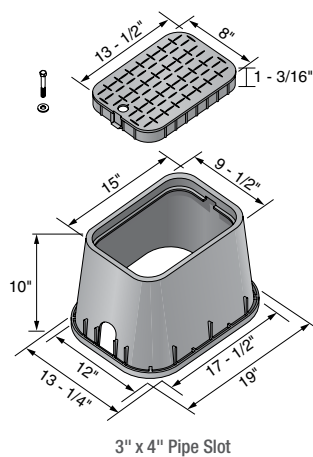
Specifications: NDS 8" x 14" body is tapered and has a minimum wall thickness of 0.187". The body has a double wall at the top cover seat area with a minimum thickness of 0.200". The cover seat area has 10 structural support ribs on the underside of the seat, each with a minimum thickness of 0.150". The bottom of the body has a 0.375" flange. The 8" x 14" cover has an average thickness of 0.150".



Part No.	Description - Marking	Color (Box/Cover)	Pallet Qty.	Wt. Ea. lbs.	Product Class
Box & Cover					
M4-SG	8" x 14" Box, Drop-in Cover - Control Valve	Black/Green	96	4.60	20ND

NDS 10" x 15" Rectangular Valve Boxes

Specifications: NDS 10" x 15" x 10" body is tapered and has a minimum wall thickness of 0.130". The body has a double wall at the top cover seat area with a minimum thickness of 0.200". The cover seat area has 12 structural support ribs on the underside of the seat, each with a minimum thickness of 0.130". The bottom of the body has a 0.750" flange. The D1000 cover has an average thickness of 0.187". NDS D1000 valve boxes and covers are injection molded of structural foam recycled polyolefin material with a melt index between 10-12. Coloring and UV stabilizers are added, along with processing lubricants when needed.



Part No.	Description - Marking	Color (Box/Cover)	Pallet Qty.	Wt. Ea. lbs.	Product Class
Box & Cover					
D1000-SG	10" x 15" x 10" Box, Drop-in Cover - Valve Box	Black/Green	96	4.80	20DV
Cover Only					
D1000-SGL	10" x 15" Drop-in Cover - Valve Box	Green	360	1.40	20DV
Box Only					
D1000-B/O	10" x 15" x 10" Box	Black	96	3.40	20ME

NDS AUTOMATIC METER READER (AMR) BOXES – STANDARD COMMERCIAL GRADE



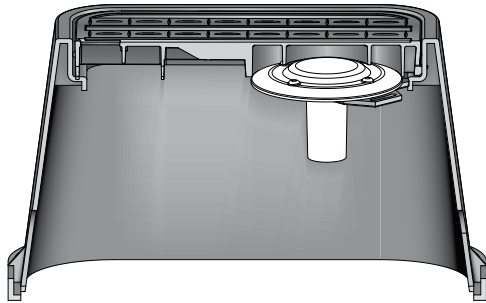
Superior signal transmission versus products made of concrete materials or cast iron.

Lighter weight material eases installation and lowers freight and handling costs.

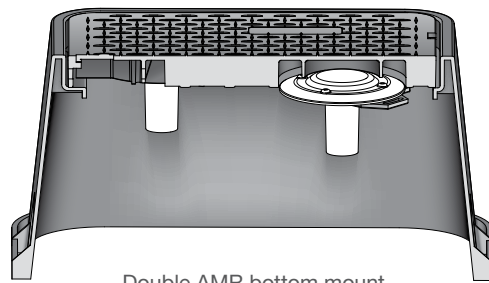
Designed specifically for the Automatic Meter reading industry, the newest line of AMR boxes builds on the NDS tradition of strength, durability and value. Like our current automatic Meter Reading products, this new line of AMR boxes and covers are injection-molded of polyoefins and contain UV inhibitors to prevent discoloration and cracking.

Bottom Mounts

- Concealed antennae are completely protected from landscape equipment damage and are less likely to draw attention from vandals
- Exceptional antennae signal transmissions
- Offset cavities eliminate the physical interference between antennae and meter
- Bracket accommodates a majority of the industry antennae



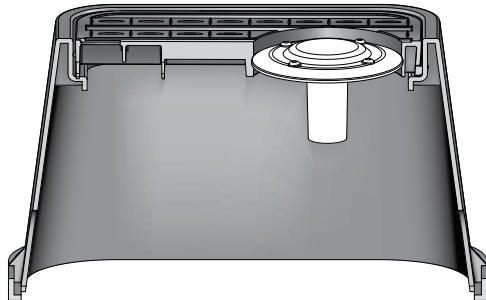
Single AMR bottom mount
(pre-assembled bracket)



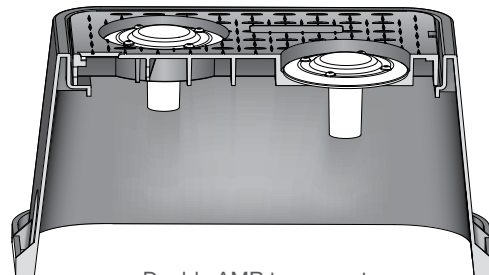
Double AMR bottom mount
(pre-assembled bracket)

Top Mounts

- Recess reduces the probability of damage caused by landscape equipment and vandals
- Offset recesses eliminate the physical interference between the antennae and meter
- Recess and holes accommodate most of the industry antennae
- Compatible with many of the industry Touch Read antennae



Single AMR top mount

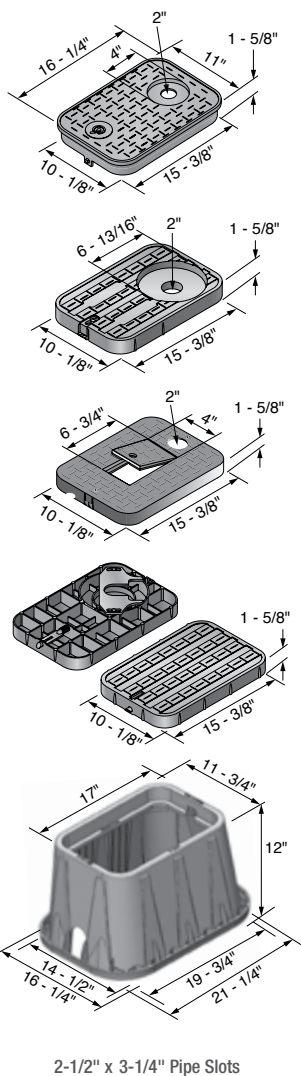


Double AMR top mount

NDS AUTOMATIC METER READER (AMR) BOXES – STANDARD COMMERCIAL GRADE

NDS 14" x 19" AMR Meter Boxes & Covers

Specifications: NDS 14" x 19" AMR meter boxes and covers are injection molded of structural foam recycled polyolefin material with a melt index between 10-12. Coloring and UV stabilizers are added, along with processing lubricants when needed. NDS 14" x 19" x 12" body is tapered and has a minimum wall thickness of 0.250". The body has a double wall at the top cover seat area with a minimum thickness of 0.187". The cover seat area has 30 structural support ribs on the underside of the seat, each with a minimum thickness of 3/16". The bottom of the body has a 1" flange. The 14" x 19" cover has a minimum thickness of 0.250".

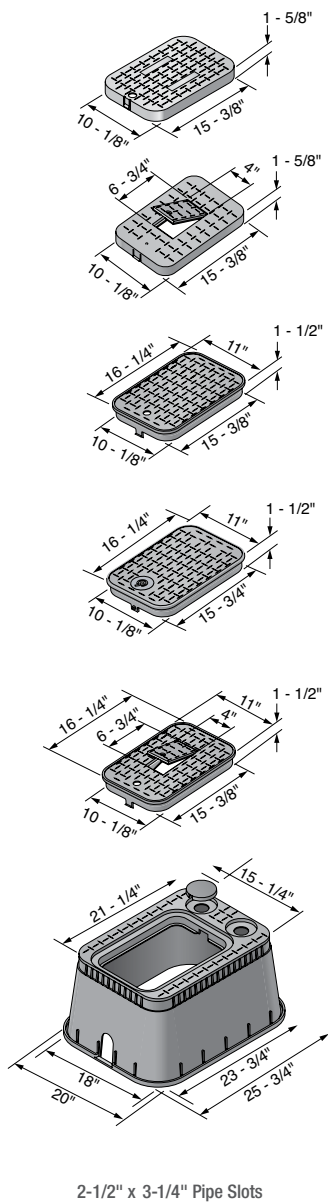


Part No.	Description - Marking	Color (Box/Cover)	Pallet Qty.	Wt. Ea. lbs.	Product Class
Drop-in Box & Cover					
D12-BAMR	14" x 19" x 12" Box, Drop-in Locking Solid Plastic, Single Bottom Mount AMR Bracket Cover - Water Meter	Black/Black	72	8.90	20ME
D12-TAMR	14" x 19" x 12" Box, Drop-in Locking Solid Plastic, Single 2" AMR/TR Hole w/ 7" Top Recess Cover - Water Meter	Black/Black	72	9.22	20ME
D1200-DITR	14" x 19" x 12" Box, Drop-in Solid Plastic, Single 2" AMR/TR Hole Cover - Water Meter	Black/Black	72	9.00	20ME
Overlapping Box & Cover					
D1200-OLTR	14" x 19" x 12" Box, Overlapping Solid Plastic, Single 2" AMR/TR Hole Cover - Water Meter	Black/Black	72	9.20	20ME
Drop-in Cover Only					
D12-BAMRL	14" x 19" Drop-in Locking Solid Plastic, Single Bottom Mount AMR Bracket Cover - Water Meter	Black	100	2.10	20ME
D12-TAMRL	14" x 19" Drop-in Locking Solid Plastic, Single 2" AMR/TR Hole w/ 7" Top Recess Cover - Water Meter	Black	100	2.42	20ME
D1200-DITRL	14" x 19" Drop-in Solid Plastic, Single 2" AMR/TR Hole Cover - Water Meter	Black	100	2.20	20ME
D12-TAMRBLUL	12" x 17" AMR Top Mount Locking Lid	Blue	100	2.42	20ME
Overlapping Cover Only					
D12AMR-OLLOCL	14" x 19" Overlapping Solid Plastic, Single 4" Top Recess Cover - Water Meter	Black	100	2.80	20ME
D12AMR-OLLOCTRL	14" x 19" Overlapping Solid Plastic, Single 1.75" AMR/TR Hole w/ 4" Top Recess Cover - Water Meter	Black	100	2.80	20ME
Box Only					
D1200-B/O	14" x 19" x 12" Box	Black	72	6.80	20ME
D600E-EXT	14" x 19" x 6" Extension	Black	42	4.20	20ME
D1800-B/O	14" x 19" x 18" Box	Black	48	10.00	20ME
Box with Overlapping Cover					
D600E-DISG	12" x 6" Extension Drop-in Solid Plastic Cover	Black/Green	42	6.40	20ME
D600PS-DISG	12" x 6" Extension Drop-in Solid Plastic Cover	Purple	42	6.60	20ME

NDS AUTOMATIC METER READER (AMR) BOXES – STANDARD COMMERCIAL GRADE

NDS 13" x 20" AMR Boxes & Covers

Specifications: NDS 13" x 20" AMR meter boxes and covers are injection molded of structural foam recycled polyolefin material with a melt index between 10-12. Coloring and UV stabilizers are added, along with processing lubricants when needed. The 13" x 20" body is tapered and has a minimum wall thickness of 0.250". The body has a double wall at the top cover seat area with a minimum thickness of 0.187". The cover seat area has 30 structural support ribs on the underside of the seat, each with a minimum thickness of 3/16". The bottom of the body has a 1" flange. The 14" x 19" cover has an average thickness of 0.250".

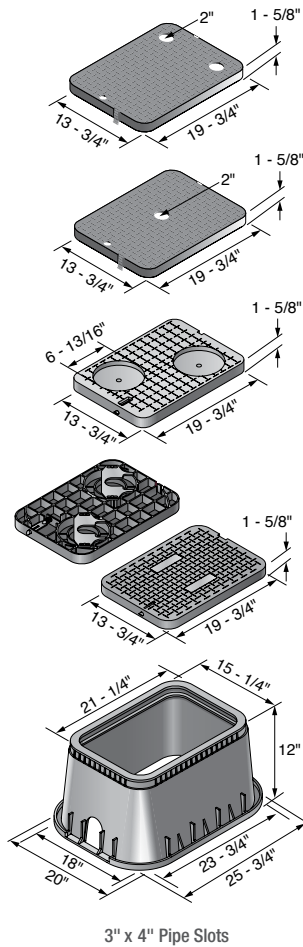


Part No.	Description - Marking	Color (Box/Cover)	Pallet Qty.	Wt. Ea. lbs.	Product Class
Drop-in Box & Cover					
D15AMR2-DI	13" x 20" x 12" Jumbo AMR Box, Drop-in Solid Plastic Cover - Water Meter	Black/Black	48	16.20	20ME
D1200-DICIRBLU	12" x 17" Box with Drop-in Plastic Cover with cast Iron Meter Reader	Black/Blue	72	10.20	20ME
Overlapping Box & Cover					
D15AMR2-OLLOC	13" x 20" x 12" Jumbo AMR Box, Overlapping Locking Solid Plastic Cover - Water Meter	Black/Black	48	16.60	20ME
D15AMR2-OLR	13" x 20" x 12" Jumbo AMR Box, Overlapping Meter Reader Plastic w/ Plastic Reader Cover - Water Meter	Black/Black	48	16.40	20ME
Drop-in Cover Only					
D1200-DISBL	14" x 19" Drop-in Solid Plastic Cover - Water Meter	Black	216	2.20	20ME
D1200-DIRBL	14" x 19" Drop-in Meter Reader Plastic w/ Plastic Reader Cover - Water Meter	Black	216	2.20	20ME
D1200-DICIRLID	14" x 19" Drop-in Meter Reader Plastic w/ Cast Iron Reader Cover - Water Meter	Black	216	3.40	20ME
Overlapping Cover Only					
D1200-OLSBL	14" x 19" Overlapping Solid Plastic Cover - Water Meter	Black	216	2.40	20ME
D1200-OLLOCBLD	14" x 19" Overlapping Locking Solid Plastic Cover - Water Meter	Black	100	2.60	20ME
Box Only					
D15AMR2-B/O	13" x 20" x 12" Jumbo AMR Box with No Pipe Slots	Black	48	12.09	20ME
D15AMR2-DU B/O	13" x 20" x 12" Jumbo AMR Box with Dual Pipe Slots Reader End	Black	48	10.20	20ME
D15AMR2-PS B/O	Jumbo AMR Box with Pipe Slots	Black	48	10.20	20ME

NDS AUTOMATIC METER READER (AMR) BOXES – STANDARD COMMERCIAL GRADE

NDS 13" x 20" Jumbo Boxes & AMR Covers

Specifications: NDS 13" x 20" meter boxes and AMR covers are injection molded of structural foam recycled polyolefin material with a melt index between 10-12. Coloring and UV stabilizers are added, along with processing lubricants when needed. The 13" x 20" body is tapered and has a minimum wall thickness of 0.250". The body has a double wall at the top cover seat area with a minimum thickness of 0.187". The cover seat has 56 structural support ribs on the underside of the seat, each with a minimum thickness of 1/50". The bottom of the body has a 1" flange. The 13" x 20" cover has an average thickness of 0.25".

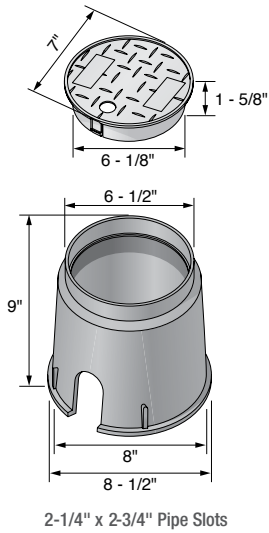


Part No.	Description - Marking	Color (Box/Cover)	Pallet Qty.	Wt. Ea. lbs.	Product Class
Drop-in Box & Cover					
D15-BAMR	13" x 20" x 12" Jumbo Box, Drop-in Locking Solid Plastic w/Double Bottom Mount AMR Brackets Cover - Water Meter	Black/Black	48	24.40	20ME
D15DU-BAMR	13" x 20" x 12" Dual Pipe Slot Box, Drop-in Locking Solid Plastic w/ Double Bottom Mount AMR Brackets Cover - Water Meter	Black/Black	48	23.91	20ME
D1500-DISBTR	13" x 20" x 12" Jumbo Box, Drop-in Solid Plastic w/ Single Custom AMR/TR Hole Cover - Water Meter	Black/Black	48	13.20	20ME
D1500-DISB2DTRL	13 x 20, Jumbo Box, Water Cover, with two holes	Black	96	6.00	20ME
Drop-in Cover Only					
D15-BAMRL	13" x 20" Drop-in Locking Solid Plastic w/ Double Bottom Mount AMR Brackets Cover - Water Meter	Black	96	15.00	20ME
D15-BAMRLP-AM	13" x 20" x 12" Drop in Solid Plastic Cover - Reclaimed Water	Purple	96	15.00	20ME
D15-BAMRP	13" x 20" x 12" Drop in Solid Plastic Cover with Lid - Reclaimed Water	Purple/Purple	48	15.00	20ME
Box Only					
D1500-B/O	13" x 20" x 12" Jumbo Box	Black	48	9.40	20ME
D1500-DUB/O	13" x 20" x 12" Dual Pipe Slot Box	Black	48	8.91	20ME
D750E-EXT	13" x 20" x 6" Extension	Black	36	5.60	20ME

NDS METER BOXES – STANDARD COMMERCIAL GRADE

NDS D109 Meter Boxes

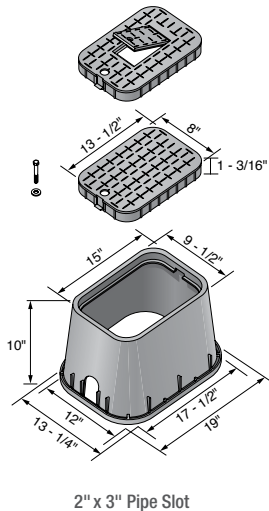
Specifications: NDS 6" round meter boxes and covers are injection molded of recycled polyolefin material with a melt index between 10-12. Coloring and UV stabilizers are added, along with processing lubricants when needed. The 6" round body is tapered and has a minimum wall thickness of 0.13". The body has a double wall at the top cover seat area with a minimum thickness of 0.125". The bottom of the body has a 0.250" flange. The 6" round cover has an average thickness of 0.15".



Part No.	Description - Marking	Color (Box/Cover)	Pallet Qty.	Wt. Ea. lbs.	Product Class
Box & Cover					
D109-B	6" Round Box, Overlapping Solid Plastic Cover - Water Meter	Black/Black	900	1.21	20ME
D109-P	6" Round Box, Overlapping Solid Plastic Cover - Reclaimed Water	Purple/Purple	900	1.21	20ME
Cover Only					
D109-PL	6" Round Overlapping Solid Plastic Cover - Reclaimed Water	Purple	900	0.40	20ME
D1100-SPL	10" Overlapping Cover - Reclaimed	Purple	350	0.80	20ME
Box Only					
D109-B/O	6" Round Box	Black	600	0.80	20ME

NDS D1000 Meter Boxes

Specifications: NDS D1000 meter boxes and covers are injection molded of structural foam recycled polyolefin material with a melt index between 10-12. Coloring and UV stabilizers are added, along with processing lubricants when needed. NDS 10" x 15" x 10" body is tapered and has a minimum wall thickness of 0.13". The body has a double wall at the top cover seat area with a minimum thickness of 0.20". The cover seat area has 12 structural support ribs on the underside of the seat, each with a minimum thickness of 0.13". The bottom of the body has a 0.75" flange.

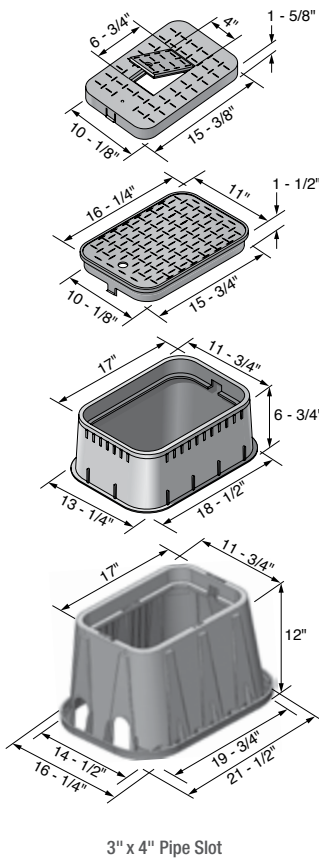


Part No.	Description - Marking	Color (Box/Cover)	Pallet Qty.	Wt. Ea. lbs.	Product Class
Drop-in Box & Cover					
D1000-SB	10" x 15" x 10" Box, Drop-in Solid Plastic Cover - Water Meter	Black/Black	96	5	20ME
D1000-RB	10" x 15" x 10" Box, Drop-in Meter Reader Plastic w/ Plastic Reader Cover - Water Meter	Black/Black	96	5	20ME
Drop-in Cover Only					
D1000-SBL	10" x 15" Drop-in Meter Solid Plastic Cover - Water Meter	Black	300	1.4	20ME
D1000-RBL	10" x 15" Drop-in Meter Reader w/ Plastic Reader Cover - Water Meter	Black	300	1.6	20ME

NDS METER BOXES – STANDARD COMMERCIAL GRADE

NDS D1200 Meter Boxes

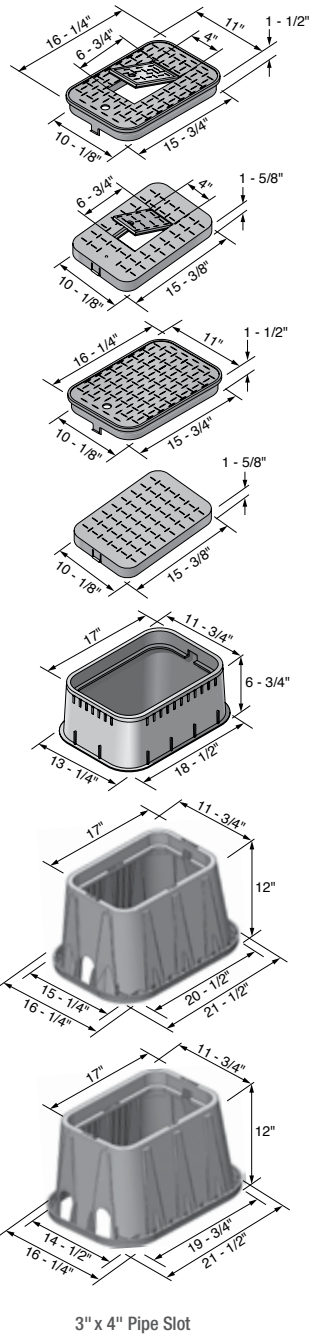
Specifications: NDS D1200 meter boxes and covers are injection molded of structural foam recycled polyolefin material with a melt index between 10-12. Coloring and UV stabilizers are added, along with processing lubricants when needed. NDS 14" x 19" x 12" body is tapered and has a minimum wall thickness of 0.25". The body has a double wall at the top cover seat area with a minimum thickness of 0.187". The cover seat area has 30 structural support ribs on the underside of the seat, each with a minimum thickness of 3/16". The bottom of the body has a 1" flange. The D1200 cover has a minimum thickness of 0.250".



Part No.	Description - Marking	Color (Box/Cover)	Pallet Qty.	Wt. Ea. lbs.	Product Class
Drop-in Box & Cover					
D1200-DISB	14" x 19" x 12" Standard Box, Drop-in Solid Plastic Cover - Water Meter	Black/Black	72	9.00	20ME
D1200-DUDISB	14" x 19" x 12" Standard Dual Pipe Slot Box, Drop-in Solid Plastic Cover - Water Meter	Black/Black	72	9.00	20ME
D1200-DISBSWR	14" x 19" x 12" Standard Box, Drop-in Solid Plastic Cover - Sewer	Black/Black	72	9.00	20ME
D1200-DISGSR	14" x 19" x 12" Standard Box, Drop-in Solid Plastic Cover - Sewer	Black/Green	72	9.00	20ME
D1200G-DISGSR	14" x 19" x 12" Standard Box, Drop-in Solid Plastic Cover - Sewer	Green/Green	72	9.00	20ME
D1200-DISBLU	14" x 19" x 12" Standard Box, Drop-in Solid Plastic Cover - Water Meter	Black/Blue	72	9.00	20ME
D1200-DIRB	14" x 19" x 12" Standard Box, Drop-in Meter Reader Plastic w/ Plastic Reader Cover - Water Meter	Black/Black	72	9.00	20ME
D1200-DUDIRB	14" x 19" x 12" Standard Dual Pipe Slot Box, Drop-in Meter Reader Plastic w/ Plastic Reader Cover - Water Meter	Black/Black	72	9.00	20ME
D1200-DIBLRD	14" x 19" x 12" Standard Box, Drop-in Meter Reader Plastic w/ Plastic Reader Cover - Water Meter	Black/Blue	72	9.00	20ME
D1200-DIRG	14" x 19" x 12" Standard Box, Drop-in Meter Reader Plastic w/ Plastic Reader Cover - Water Meter	Black/Green	72	9.00	20ME
D1200-DICIR	14" x 19" x 12" Standard Box, Drop-in Meter Reader Plastic w/ Cast Iron Reader Cover - Water Meter	Black/Black	72	10.20	20ME
D1200-DUDICIR	14" x 19" x 12" Standard Dual Pipe Slot Box, Drop-in Meter Reader Plastic w/ Cast Iron Reader Cover - Water Meter	Black/Black	72	10.20	20ME
D1200P-DICIRP	14" x 19" x 12" Standard Box, Drop-in Meter Reader Plastic w/ Cast Iron Reader Cover - Reclaimed Water	Purple/Purple	72	10.20	20ME
Cover Only					
D1200-DISBLUL	12" Drop in Solid Plastic Cover - Meter Reader	Blue	216	2.20	20ME

NDS METER BOXES – STANDARD COMMERCIAL GRADE

NDS D1200 Meter Boxes (continued)

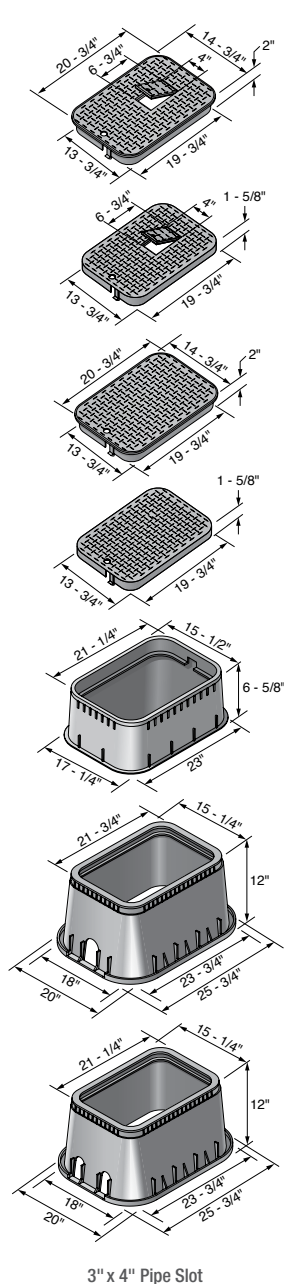


Part No.	Description - Marking	Color (Box/Cover)	Pallet Qty.	Wt. Ea. lbs.	Product Class
Overlapping Box & Cover					
D1200-OLSB	14" x 19" x 12" Standard Box, Overlapping Solid Plastic Cover – Water Meter	Black/Black	72	9.20	20ME
D1200-DUOLSB	14" x 19" x 12" Standard Dual Pipe Slot Box, Overlapping Solid Plastic Cover – Water Meter	Black/Black	72	9.20	20ME
D1200-OLLOCB	14" x 19" x 12" Standard Box, Overlapping Locking Solid Plastic Cover – Water Meter	Black/Black	72	9.40	20ME
D1200-CI	14" x 19" x 12" Standard Box, Overlapping Solid Cast Iron Cover – Water Meter	Black/Black	72	19.00	20ME
D1200-OLRB	14" x 19" x 12" Standard Box, Overlapping Meter Reader Plastic with Plastic Reader Cover – Water Meter	Black/Black	72	9.20	20ME
D1200-OLCIR	14" x 19" x 12" Standard Box, Overlapping Meter Reader Plastic with Cast Iron Reader Cover – Water Meter	Black/Black	72	10.60	20ME
D1200-OLRBLU	12" Overlapping Cover with Plastic Meter Reader	Black/Blue	72	9.20	20ME
D1200-CICIR	14" x 19" x 12" Standard Box, Overlapping Meter Reader Cast Iron w/ Cast Iron Reader Cover – Water Meter	Black/Black	72	10.28	20ME
Drop-in Cover Only					
D1200-DISBL	14" x 19" Drop-in Solid Plastic Cover – Water Meter	Black	216	2.20	20ME
D1200-DISBSWRL	14" x 19" Drop-in Solid Plastic Cover – Sewer	Black	216	2.20	20ME
D1200-DISGL	12" Drop in Solid Plastic Cover – Meter Reader	Green	216	2.20	20ME
D1200-DISGSWRL	14" x 19" Drop-in Solid Plastic Cover – Sewer	Green	216	2.20	20ME
D1200-DIRBL	14" x 19" Drop-in Meter Reader with Plastic Reader Cover – Water Meter	Black	216	2.20	20ME
D1200-DIBLRDL	14" x 19" Drop-in Meter Reader with Plastic Reader Cover – Water Meter	Blue	216	2.20	20ME
D1200-DICIRLID	14" x 19" Drop-in Meter Reader with Cast Iron Reader Cover – Water Meter	Black	216	3.40	20ME
Overlapping Cover Only					
D1200-CICIR LD	14" x 19" Overlapping Cast Iron Lid with Cast Iron Reader – Water Meter	Black	216	2.40	20ME
D1200-OLSBL	14" x 19" Overlapping Solid Plastic Cover – Water Meter	Black	216	2.40	20ME
D1200-OLSGL	12" Overlapping Cover with Solid Plastic Meter Reader	Green	216	2.40	20ME
D1200-OLLOCBLD	14" x 19" Overlapping Locking Solid Plastic Cover – Water Meter	Black	100	2.60	20ME
D1200-OLBLL	14" x 19" Overlapping Solid Plastic Cover – Water Meter	Blue	216	2.40	20ME
D1200-CIL	14" x 19" Overlapping Meter Reader Solid Cast Iron Cover – Water Meter	Black	216	12.20	20ME
D1200-OLRBLUL	14" x 19" Overlapping Meter Reader Plastic with Plastic Reader Cover – Water Meter	Blue	216	2.40	20ME
D1200-OLCIR LD	14" x 19" Overlapping Meter Reader Plastic with Cast Iron Reader Cover – Water Meter	Black	216	3.80	20ME
D1200-OLCIRSS	12" Overlapping Cover with Cast Iron Meter Reader	Black/Black	72	10.33	20ME
Box Only					
D1200-B/O	14" x 19" x 12" Standard Box	Black	72	6.80	20ME
D1200-DUB/O	14" x 19" x 12" Standard Dual Pipe Slot Box	Black	72	6.80	20ME
D1200G-B/O	14" x 19" x 12" Standard Box	Green	72	6.80	20ME
D600E-EXT	14" x 19" x 6" Extension Only	Black	42	4.20	20ME

NDS METER BOXES – STANDARD COMMERCIAL GRADE

NDS D1500 Meter Boxes

Specifications: NDS 13" x 20" meter boxes and covers are injection molded of structural foam recycled polyolefin material with a melt index between 10-12. Coloring and UV stabilizers are added, along with processing lubricants when needed. The 13" x 20" body is tapered and has a minimum wall thickness of 0.250". The body has a double wall at the top cover seat area with a minimum thickness of 0.187". The cover seat area has 30 structural support ribs on the underside of the seat, each with a minimum thickness of 1/50". The bottom of the body has a 1" flange. The 13" x 20" cover has an average thickness of 0.250".

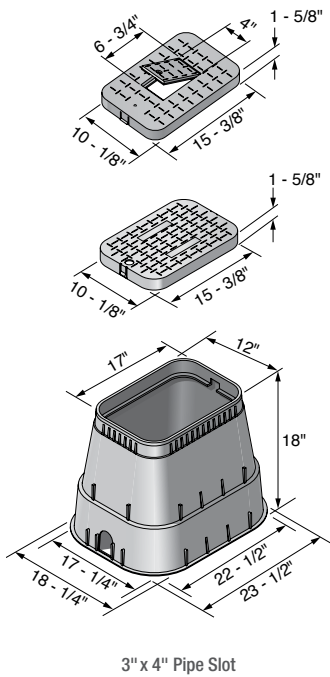


Part No.	Description - Marking	Color (Box/Cover)	Pallet Qty.	Wt. Ea. lbs.	Product Class
Drop-in Box & Cover					
D1500-DISB	13" x 20" x 12" Jumbo Box, Drop-in Solid Plastic Cover – Water Meter	Black/Black	48	13.20	20ME
D1500-DUDISB	13" x 20" x 12" Dual Pipe Slot Jumbo Box, Drop-in Solid Plastic Cover – Water Meter	Black/Black	48	13.49	20ME
D1500-DIRB	13" x 20" x 12" Jumbo Box, Drop-in Meter Reader Plastic w/ Plastic Reader Cover – Water Meter	Black/Black	48	13.20	20ME
D1500-DUDIRB	13" x 20" x 12" Dual Pipe Slot Jumbo Box, Drop-in Meter Reader Plastic with Plastic Reader Cover – Water Meter	Black/Black	48	13.49	20ME
D1500-DICIR	13" x 20" x 12" Jumbo Box, Drop-in Meter Reader Plastic w/ Cast Iron Reader Cover – Water Meter	Black/Black	48	14.40	20ME
D1500-DUDICIR	13" x 20" x 12" Dual Pipe Slot Jumbo Box, Drop-in Meter Reader Plastic with Cast Iron Reader Cover – Water Meter	Black/Black	48	13.20	20ME
D1500P-DU-DICP	13" x 20" x 12" Dual Pipe Slot Jumbo Box, Drop-in Meter Reader Plastic with Cast Iron Reader Cover – Water Meter	Purple/Purple	48	14.60	20ME
Overlapping Box & Cover					
D1500-OLSB	13" x 20" x 12" Jumbo Box, Overlapping Solid Plastic Cover – Water Meter	Black/Black	48	13.20	20ME
D1500-OLRB	13" x 20" x 12" Jumbo Box, Overlapping Meter Reader Plastic w/ Plastic Reader Cover – Water Meter	Black/Black	48	13.20	20ME
Drop-in Cover Only					
D1500-DISBL	13" x 20" Drop-in Solid Plastic Cover – Water Meter	Black	96	3.80	20ME
D1500-DIRBL	13" x 20" Drop-in Meter Reader Plastic with Plastic Reader Cover – Water Meter	Black	96	3.80	20ME
D1500-DIRBLU	13" x 20" Drop-in Plastic Cover with Plastic Meter Reader – Water Meter	Blue/Blue	48	11.60	20ME
D1500-DICIR LD	13" x 20" Drop-in Meter Reader Plastic with Cast Iron Reader Cover – Water Meter	Black	96	5.00	20ME
D1500-OLRBL	13" x 20" Drop-in Plastic Cover with Plastic Meter Reader – Water Meter	Blue	96	3.80	20ME
D1500-OLSGL	13" x 20" Drop-in Plastic Cover with Plastic Meter Reader – Water Meter	Green	96	3.80	20ME
Overlapping Cover Only					
D1500-OLSBL	13" x 20" Jumbo Overlapping Solid Plastic Cover – Water Meter	Black	96	3.80	20ME
Box Only					
D1500-B/O	13" x 20" x 12" Jumbo Box	Black	48	9.40	20ME
D1500-DUB/O	13" x 20" x 12" Dual Pipe Slot Jumbo Box	Black	48	8.91	20ME
D750E-EXT	13" x 20" x 6" Extension Only	Black	36	5.60	20ME

NDS METER BOXES – STANDARD COMMERCIAL GRADE

NDS D1800 Meter Boxes

Specifications: NDS 14" x 19" x 18" meter boxes and covers are injection molded of structural foam recycled polyolefin material with a melt index between 10-12. Coloring and UV stabilizers are added, along with processing lubricants when needed. The 14" x 19" body is tapered and has a minimum wall thickness of 0.250". The body has a double wall at the top cover seat area with a minimum thickness of 0.22". The cover seat area has 26 structural support ribs on the underside of the seat, each with a minimum thickness of 0.12". The bottom of the body has a 0.50" flange. The 14" x 19" cover has an average thickness of 0.20".

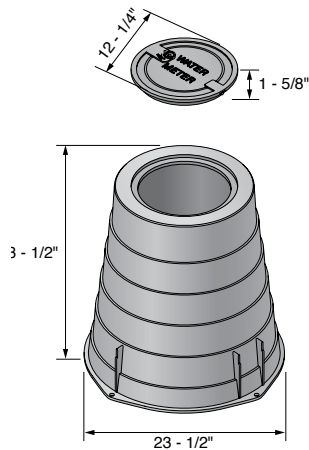


Part No.	Description - Marking	Color (Box/Cover)	Pallet Qty.	Wt. Ea. lbs.	Product Class
Drop-in Box & Cover					
D1800-DISB	14" x 19" x 18" Box, Drop-in Solid Plastic Cover - Water Meter	Black/Black	48	12.20	20ME
D1800-DIRB	14" x 19" x 18" Box, Drop-in Meter Reader Plastic w/ Plastic Reader Cover - Water Meter	Black/Black	48	12.20	20ME
D1800-DICIR	14" x 19" x 18" Box, Drop-in Meter Reader Plastic w/ Cast Iron Reader Cover - Water Meter	Black/Black	48	13.40	20ME
Drop-in Cover Only					
D1200-DISBL	14" x 19" Drop-in Box Solid Plastic Cover - Water Meter	Black	216	2.20	20ME
D1200-DIRBL	14" x 19" Drop-in Meter Reader w/ Plastic Reader Cover - Water Meter	Black	216	2.20	20ME
D1200-DICIRLID	14" x 19" Drop-in Meter Reader w/ Cast Iron Reader Cover - Water Meter	Black	216	3.40	20ME
D1200-DISBSWRL	14" x 19" Drop-in Solid Plastic Cover - Sewer	Black	216	2.20	20ME
Overlapping Cover Only					
D1800-OLSG	12" x 18" Overlapping Cover - ICV	Black/Green	48	12.40	20ME
Box Only					
D1800-B/O	14" x 19" x 18" Box	Black	48	10.00	20ME
D1800-B/O NH	14" x 19" x 18" Box, No Pipe Slots	Black	48	10.00	20ME
D1800-B/O WHT	12" x 18" Box	White	48	10.00	20ME

NDS METER BOXES – STANDARD COMMERCIAL GRADE

NDS D2400 Meter Boxes

Specifications: NDS 16" round meter pits and covers are injection molded of structural foam recycled polyolefin material with a melt index between 10-12. Coloring and UV stabilizers are added, along with processing lubricants when needed. The 16" round meter pit body is tapered and has a minimum wall thickness of 0.2615". The body has a double wall at the top cover seat area with a minimum thickness of 0.2780". The cover seat area has 8 structural support ribs on the underside of the seat, each with a minimum thickness of 0.0995". The bottom of the body has a 1/2" flange which flares to 1-1/4" at bolt hole. The 12-3/8" cover has an average thickness of 0.375".



Part No.	Description - Marking	Color (Box/Cover)	Pallet Qty.	Wt. Ea. lbs.	Product Class
Box & Cover					
D2400-18LOCSB	18" Meter Pit, Overlapping Locking Solid Plastic Cover - Water Meter	Black/Black	52	11.40	20ME
D2400-LOCSB	24" Meter Pit, Overlapping Locking Solid Plastic Cover - Water Meter	Black/Black	52	17.53	20ME
Cover Only					
D2400-LOCSWBL	Overlapping Locking Solid Plastic Cover - Water Meter	Black	52	1.60	20ME
Box Only					
D2400-18 B/O	18" Meter Pit	Black	52	9.80	20ME
D2400-B/O	24" Meter Box	Black	52	14.00	20ME

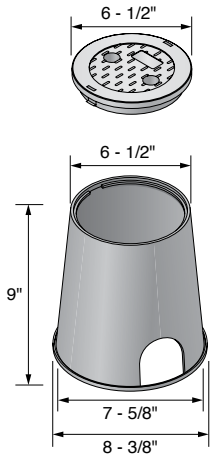
NDS Replacement Parts

Part No.	Description - Marking	Color (Box/Cover)	Pallet Qty.	Wt. Ea. lbs.	Product Class
DKEY	Brass Locking Key	Brass	1	0.50	20ME

NDS PRO SERIES METER BOXES – PREMIUM COMMERCIAL GRADE

NDS 6" Round Meter Boxes

Specifications: The NDS 6" round meter boxes and covers are injection molded of structural foam polyolefin material with a melt index between 10-12. Coloring and UV stabilizers are added, along with processing lubricants when needed. The 6" round body is tapered and has a minimum wall thickness of 0.20". The body has a double wall at the top cover seat area with a minimum thickness of 0.13". The bottom of the body has a 0.250" flange. The 6" round cover has an average thickness of 0.187".

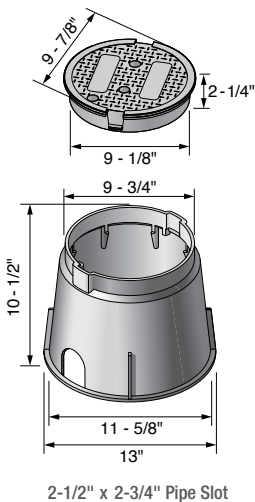


2-3/4" x 2-3/8" Pipe Slot

Part No.	Description - Marking	Color (Box/Cover)	Pallet Qty.	Wt. Ea. lbs.	Product Class
Box & Cover					
107BCW	6" Round Box, Overlapping Solid Plastic Cover - Water Meter	Black/Green	250	1.50	20NM
107BCR	6" Round Box, Overlapping Solid Plastic Cover - Reclaimed Water	Black/Purple	250	1.50	20ND
107PBCR	6" Round Box, Overlapping Solid Plastic Cover - Reclaimed Water	Purple/Purple	250	1.50	20ND
107BCS	6" Round Box, Overlapping Solid Plastic Cover - Sewer	Black/Green	250	1.50	20NM
208BCS	6" Round Box, Round Overlapping Solid Plastic Cover - Sewer	Green/Green	250	1.50	20PR
Cover Only					
107CW	6" Overlapping Solid Plastic Cover - Water Meter	Green	800	0.40	20NM
107CR	6" Overlapping Solid Plastic Cover - Reclaimed Water	Purple	800	0.40	20ND
107CS	6" Overlapping Solid Plastic Cover - Sewer	Green	800	0.40	20NM
Box Only					
107B	6" Round Box	Black	250	1.23	20ND

NDS 10" Round Meter Boxes

Specifications: The NDS 10" round meter boxes and covers are injection molded of structural foam polyolefin material with a melt index between 10-12. Coloring and UV stabilizers are added, along with processing lubricants when needed. The 10" round body is tapered and has a minimum wall thickness of 0.30". The cover seat area has 8 structural support ribs on the underside of the seat, each with a minimum thickness of 0.250". The bottom of the body has a 0.50" flange. The 10" round cover has an average thickness of 0.30". The meter box has a 3/8" 304 SS nut for the bolt-down as a standard feature.



2-1/2" x 2-3/4" Pipe Slot

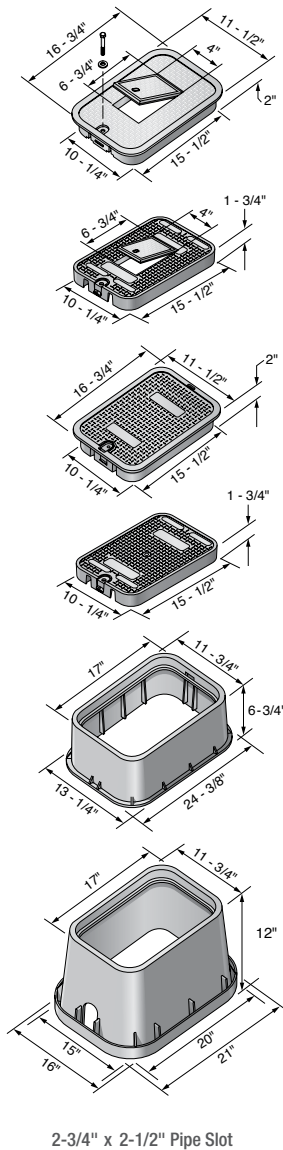
Part No.	Description - Marking	Color (Box/Cover)	Pallet Qty.	Wt. Ea. lbs.	Product Class
Box & Cover					
211PBCR	10" Round Box, Overlapping Reclaimed Solid Plastic Cover - Water Meter	Purple/Purple	120	4.50	20PR
111BCS	10" Round Box, Overlapping Solid Plastic Cover - Sewer	Black/Green	180	3.00	20NM
212BCS	10" Round Box, Round Overlapping Solid Plastic Cover - Sewer	Green/Green	120	4.50	20PR
212BCBS	10" Round Box, Round Overlapping Bolt-Down Solid Plastic Cover - Sewer	Green/Green	120	4.50	20PR
212BC ELEC	10" Round Box, Overlapping Solid Plastic Cover - Electrical	Gray/Gray	120	4.50	20PR
212BCB ELEC	10" Round Box, Overlapping Bolt-Down Solid Plastic Cover - Electrical**	Gray/Gray	120	4.50	20PR
Cover Only					
211CW	10" Overlapping Water Solid Plastic Cover - Water Meter	Black	200	1.34	20PR
211CR	10" Overlapping Reclaimed Solid Plastic Cover - Water Meter	Purple	200	1.50	20PR
111CS	10" Round Overlapping Solid Plastic Cover - Sewer	Green	300	1.00	20NM
211CRG	10" Round Overlapping Solid Plastic Cover - Reclaimed Water	Green	200	1.34	20PR
211CS	10" Round Overlapping Solid Plastic Cover - Sewer	Green	200	1.50	20PR
211C ELEC	10" Overlapping Solid Plastic Cover - Electrical	Gray	200	1.50	20PR
Box Only					
212B	10" Round Box	Green	120	3.00	20PR
211BB	Bolt for 10" Cover	Steel	(Bag of 10)	0.05	20PR

**Note – Installer responsible for ensuring product meets local building/electrical code requirements.

NDS PRO SERIES METER BOXES – PREMIUM COMMERCIAL GRADE

NDS 14" x 19" Meter Boxes

Specifications: The NDS 14" x 19" meter boxes and covers are injection molded of structural foam polyolefin material with a melt index between 10-12. Coloring and UV stabilizers are added, along with processing lubricants when needed. The 14" x 19" body is tapered and has a minimum wall thickness of 0.250". The body has a double wall at the top cover seat area with a minimum thickness of 0.250". The cover seat area has 16 structural support ribs on the underside of the seat, each with a minimum thickness of 0.250". The bottom of the body has a 0.50" flange. The 12" x 20" cover shall have an average thickness of 0.250". The meter box has a 3/8" 304 SS nut for the bolt-down as a standard feature.



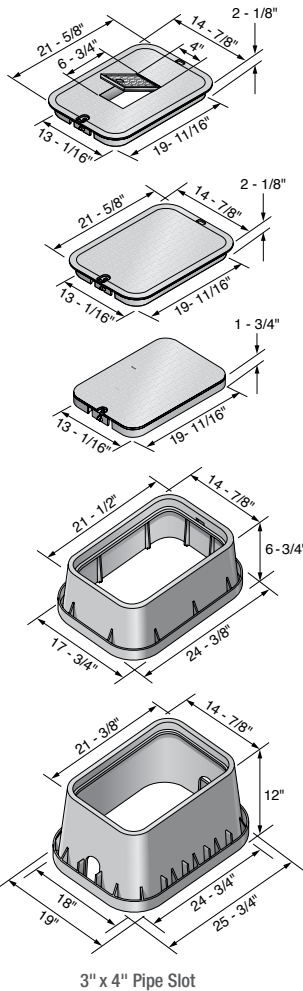
Part No.	Description - Marking	Color (Box/Cover)	Pallet Qty.	Wt. Ea. lbs.	Product Class
Drop-in Box & Cover					
113BCDW	14" x 19" x 12" Box, Drop-in Solid Plastic Cover - Water Meter	Black/Black	78	8.00	20NM
113BCDS	14" x 19" x 12" Box, Drop-in Solid Plastic Cover - Sewer	Black/Green	78	8.00	20NM
113BCDMCIF	14" x 19" x 12" Box, Drop-in Meter Reader Plastic w/ Cast Iron Reader Cover - Water Meter	Black/Black	78	12.00	20NM
Overlapping Box & Cover					
113BCW	14" x 19" x 12" Box, Overlapping Solid Plastic Cover - Water Meter	Black/Black	78	9.32	20NM
113BCS	14" x 19" x 12" Box, Overlapping Solid Plastic Cover - Sewer	Black/Green	78	9.32	20NM
113BCE	14" x 19" x 12" Box, Overlapping Solid Plastic Cover - Electrical	Green/Green	78	9.32	20NM
113BCR	14" x 19" x 12" Box, Overlapping Solid Plastic Cover - Reclaimed Water	Black/Purple	78	9.10	20ND
113PBCR	14" x 19" x 12" Box, Overlapping Solid Plastic Cover - Reclaimed Water	Purple/Purple	78	9.29	20ND
113BCM	14" x 19" x 12" Box, Overlapping Meter Reader Plastic w/ Plastic Reader Cover - Water Meter	Black/Black	78	8.92	20NM
113BCMCIF	14" x 19" x 12" Box, Overlapping Meter Reader Plastic w/ Cast Iron Reader Cover - Water Meter	Black/Black	78	9.38	20NM
213PBCR	14" x 19" Box, Overlapping Solid Plastic Cover - Reclaimed Water	Purple/Purple	78	9.00	20PR
214BCS	14" x 19" Box, Overlapping Solid Plastic Cover - Sewer	Green/Green	78	9.00	20PR
214BCB ELEC	14" x 19" Box, Overlapping Bolt-Down Solid Plastic Cover - Electrical**	Gray/Gray	78	9.00	20PR
Drop-in Cover Only					
113CDMCIF	14" x 19" Drop-in Meter Reader Plastic w/ Cast Iron Reader Cover - Water Meter	Black	300	3.80	20NM
Overlapping Cover Only					
113CW	14" x 19" Overlapping Solid Plastic Cover - Water Meter	Black	300	2.30	20NM
114CW	14" x 19" Overlapping Solid Plastic Cover - Water Meter	Green	300	2.30	20NM
113CR	14" x 19" Overlapping Solid Plastic Cover - Reclaimed Water	Purple	300	2.50	20ND
113CE	14" x 19" Overlapping Solid Plastic Cover - Electric	Green	300	2.30	20NM
113CM	14" x 19" Overlapping Meter Reader Plastic w/ Plastic Reader Cover - Water Meter	Black	300	2.50	20NM
113CMCIF	14" x 19" Overlapping Meter Reader Plastic w/ Cast Iron Reader Cover - Water Meter	Black	300	3.65	20NM
213CS	14" x 19" Overlapping Solid Plastic Cover - Sewer	Green	300	2.50	20PR
213C ELEC	14" x 19" Overlapping Solid Plastic Cover - Electrical**	Gray	300	2.50	20PR
Box Only					
113B	14" x 19" x 12" Box	Black	78	6.00	20NM
113-6	14" x 19" x 6" Extension	Black	49	4.00	20ND
114-6	14" x 19" x 6" Extension	Green	49	3.86	20ND
113BB	2-1/2" x 3/8" SS Bolt	Steel	(Bag of 10)	0.10	20NM

**Note – Installer responsible for ensuring product meets local building/electrical code requirements.

NDS PRO SERIES METER BOXES – PREMIUM COMMERCIAL GRADE

NDS 13" x 20" Meter Boxes

Specifications: The NDS 13" x 20" meter boxes and covers are injection molded of structural foam polyolefin material with a melt index between 10-12. Coloring and UV stabilizers are added, along with processing lubricants when needed. The 13" x 20" body is tapered and has a minimum wall thickness of 0.250". The body has a double wall at the top cover seat area with a minimum thickness of 0.250". The cover seat area has 16 structural support ribs on the underside of the seat, each with a minimum thickness of 0.250". The bottom of the body has a 0.50" flange. The 13" x 20" cover has an average thickness of 0.250". The meter box has a 3/8" 304 SS nut for the bolt-down as a standard feature.

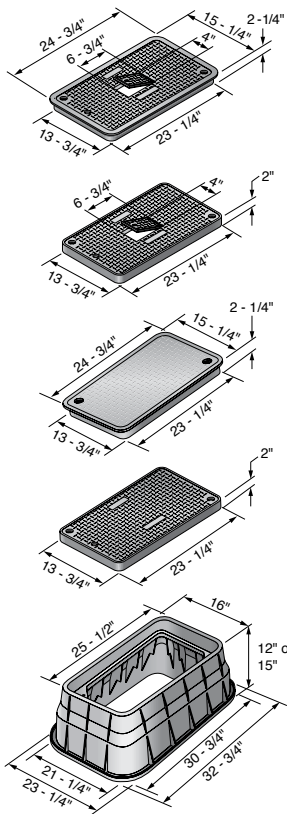


Part No.	Description - Marking	Color (Box/Cover)	Pallet Qty.	Wt. Ea. lbs.	Product Class
Drop-in Box & Cover					
117BCDW	13" x 20" x 12" Box, Drop-in Solid Plastic Cover - Water	Black/Black	56	13.25	20NM
117DBCDCMIF	13" x 20" x 12" Dual Outlet Box, Drop-in Meter Reader Plastic w/ Cast Iron Reader Cover - Water Meter	Black/Black	56	14.50	20NM
Overlapping Box & Cover					
117BCS	13" x 20" x 12" Box, Overlapping Solid Plastic Cover - Sewer	Black/Green	56	14.00	20NM
117B12CW	13" x 20" x 12" Valve Box with Overlapping Cover - Water	Black	56	14.00	20NM
217PBCR	13" x 20" Jumbo Box, Overlapping Solid Plastic Cover - Reclaimed Water	Purple	56	13.69	20PR
218BCS	13" x 20" Jumbo Box, Overlapping Solid Plastic Cover - Sewer	Green/Green	56	14.00	20PR
Drop-in Cover Only					
117CDMIF	13" x 20" Drop-in Meter Reader Plastic w/ Cast Iron Reader Cover - Water Meter	Black	180	7.50	20NM
Overlapping Cover Only					
117CW	13" x 20" Overlapping Solid Plastic Cover - Water Meter	Black	180	5.00	20NM
117CS	13" x 20" Overlapping Solid Plastic Cover - Sewer	Green	180	5.00	20NM
217CR	13" x 20" Jumbo Overlapping Solid Plastic Cover - Reclaimed Water	Purple	180	4.51	20PR
Box Only					
117B	13" x 20" x 12" Box, Single Inlet, Single Outlet	Black	56	8.14	20NM
117-6	13" x 20" Jumbo Extension	Black	32	6.88	20ND
113BB	2-1/2" x 3/8" SS Bolt	Steel	(Bag of 10)	0.10	20NM

NDS PRO SERIES METER BOXES – PREMIUM COMMERCIAL GRADE

NDS 13" x 24" Meter Boxes

Specifications: The NDS 13" x 24" meter boxes and covers are injection molded of structural foam polyolefin material with a melt index between 10-12. Coloring and UV stabilizers are added, along with processing lubricants when needed. The 13" x 24" body is tapered and has a minimum wall thickness of 0.27". The body has a double wall at the top cover seat area with a minimum thickness of 0.27". The cover seat area has 18 structural support ribs on the underside of the seat, each with a minimum thickness of 0.250". The bottom of the body has a 1" flange. The 13" x 24" cover has an average thickness of 0.32". The meter box has a 3/8" 304 SS nut for the bolt-down as a standard feature.



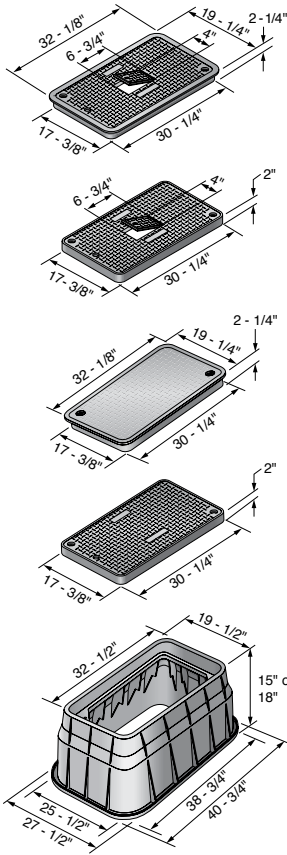
Part No.	Description - Marking	Color (Box/Cover)	Pallet Qty.	Wt. Ea. lbs.	Product Class
Drop-in Box & Cover					
121BCDWB	13" x 24" x 12" Box, Bolt-Down Drop-in Solid Plastic Cover - Water Meter	Black/Black	12	22.78	20NM
121BCDMCIFB	13" x 24" x 12" Box, Bolt-Down Drop-in Meter Reader Plastic w/ Cast Iron Reader Cover - Water Meter	Black/Black	12	23.13	20NM
125BCDMCIFB	13" x 24" x 12" Box, Bolt-Down Drop-in Meter Reader Plastic w/ Cast Iron Reader Cover - Water Meter	Black/Black	12	26.13	20NM
**Note – Installer responsible for ensuring product meets local building/electrical code requirements. Insulate bolt with 1/2" x 2-3/4" heat shrink tube and/or a ground rod clamp (such as Thomas & Betts Part Number 63) to reduce the chance of electrical shock.					
Overlapping Box & Cover					
125PBCRB	13" x 24" x 15" Box, Bolt-Down Overlapping Solid Plastic Cover - Reclaimed Water	Purple/Purple	12	26.44	20ND
Drop-in Cover Only					
121CDM	13" x 24" Drop-in Meter Reader Plastic w/ Plastic Reader Cover - Water Meter	Black	125	5.81	20NM
121CDMCI	13" x 24" Drop-in Meter Reader Plastic w/ Cast Iron Reader Cover - Water Meter	Black	125	7.13	20NM
123CDMCI	17" x 30" Drop In Cover with Cast Iron Meter Reader	Black	75	10.30	20NM
123CDW	17" x 30" Drop in Cover - Water	Black	75	1.50	20NM
Box Only					
125B	13" x 24" x 15" Box	Black	12	19.00	20NM

**Note – Installer responsible for ensuring product meets local building/electrical code requirements.

NDS PRO SERIES METER BOXES – PREMIUM COMMERCIAL GRADE

NDS 17" x 30" Meter Boxes

Specifications: The NDS 17" x 30" meter boxes and covers are injection molded of structural foam polyolefin material with a melt index between 10-12. Coloring and UV stabilizers are added, along with processing lubricants when needed. The 17" x 30" body is tapered and has a minimum wall thickness of 0.32". The body has a double wall at the top cover seat area with a minimum thickness of 0.32". The cover seat area has 20 structural support ribs on the underside of the seat, each with a minimum thickness of 0.250". The bottom of the body has a 1" flange. The 17" x 30" cover has an average thickness of 0.35". The meter box has a 3/8" 304 SS nut for the bolt-down as a standard feature.



Part No.	Description - Marking	Color (Box/Cover)	Pallet Qty.	Wt. Ea. lbs.	Product Class
Drop-in Box & Cover					
124BCDWB	17" x 30" x 15" Box, Bolt-Down Drop-in Solid Plastic Cover - Water Meter	Black/Black	12	34.70	20NM
126BCDWB	17" x 30" x 18" Box, Bolt-Down Drop-in Solid Plastic Cover - Water Meter	Black/Black	10	37.65	20NM
126BCDWB	17" x 30" x 18" Box, Bolt-Down Drop-in Plastic w/ Plastic Reader Cover - Water Meter	Black/Black	10	41.00	20NM
124BCDMCIFB	17" x 30" x 15" Box, Bolt-Down Drop-in Plastic w/ Cast Iron Reader Cover - Water Meter	Black/Black	12	33.70	20NM
126BCDMCIFB	17" x 30" x 18" Box, Bolt-Down Drop-in Plastic w/ Cast Iron Reader Cover - Water Meter	Black/Black	10	37.65	20NM
226BCDWB ELEC	17" x 30" x 18" Box, Bolt-Down Drop-in Solid Plastic Cover - Electric**	Gray/Gray	10	37.05	20PR
Overlapping Cover Only					
223CR	17" x 30" Overlapping Solid Plastic Cover - Reclaimed Water	Purple	75	11.60	20ND
Box Only					
124B	17" x 30" x 15" Box	Black	12	20.00	20NM
126B	17" x 30" x 18" Box	Black	10	23.80	20NM

**Note – Installer responsible for ensuring product meets local building/electrical code requirements.

Our products are engineered and produced for performance, durability, ease of installation and the efficient use of resources.

