

### DESCRIPTION

- Brass construction with chrome plated finish
- 1/2" IPS connections
- 8" widespread

### OPERATION


- Lever style handles with hot and cold color indicators
- 1/4 turn to open (clockwise to close)
- Vandal resistant torx head screws

### CARTRIDGE

- Brass shell, ceramic disc cartridge
- Nonmetallic/nonferrouse and ceramic material

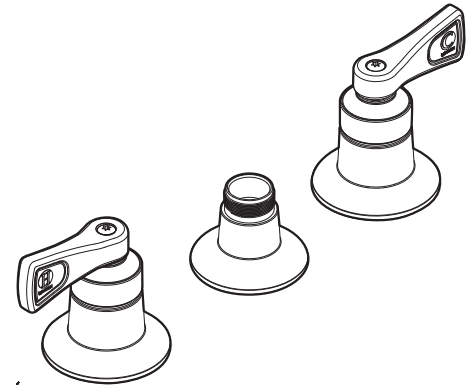
### STANDARDS

- Third party certified to meet ASME A112.18.1/CSA B125.1 and all applicable specifications referenced therein
- Certified to NSF 61/9 & 372
- Complies with California Proposition 65 and with the Federal Safe Drinking Water Act

- **ADA**  for lever handles

### WARRANTY

- Warranted for 5 years against material or manufacturing defects

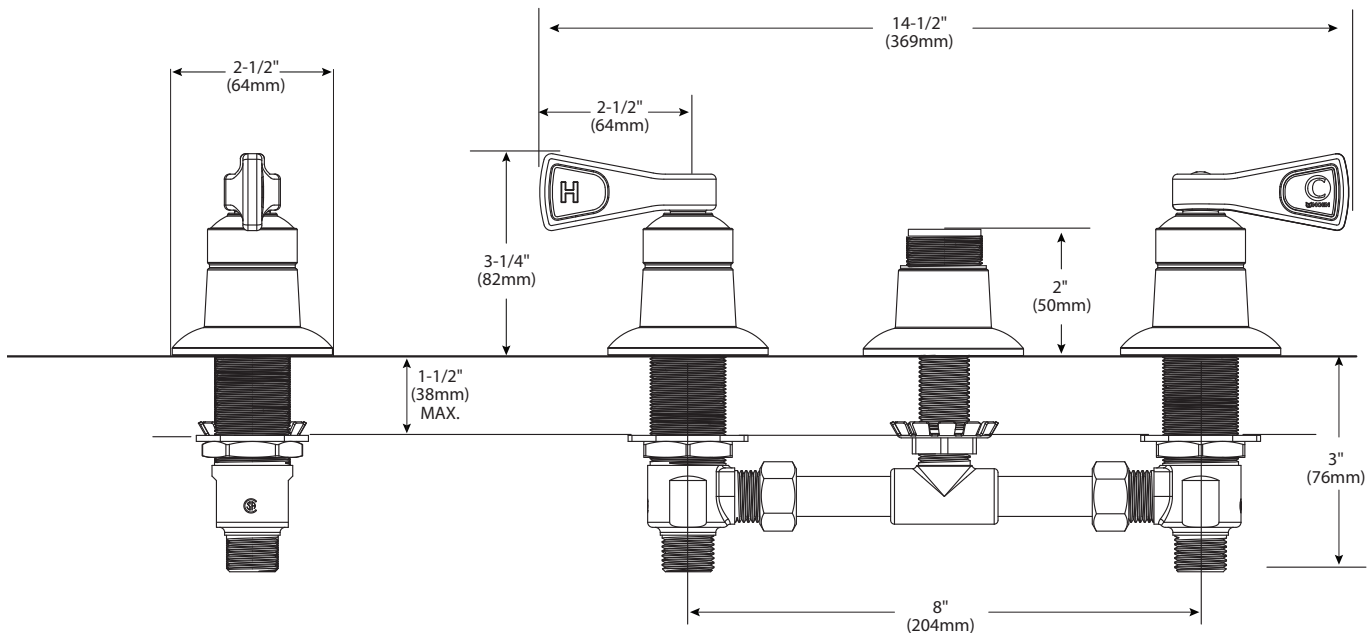


## Two-Handle Lavatory Faucet Less Spout

Model: 8226



**NOTE:** Designed to be installed through 3 holes – 1-9/32" min. dia.



### CRITICAL DIMENSIONS

(DO NOT SCALE)