

For Residential and Commercial Applications

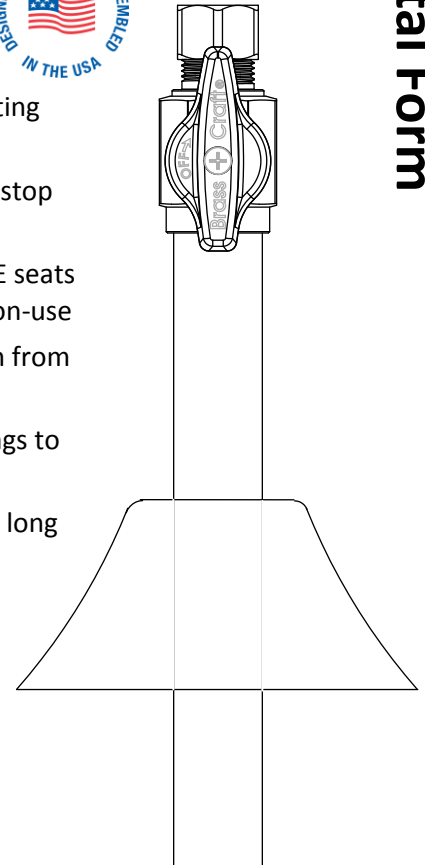
Job Name		Engineer / Architect	
Job Location		Wholesaler	
Submittal Date		Contractor	

KTCS41 1/4 Turn Straight Ball Stop - Sweat x Compression With 5" Sweat Extension

Use: For use with water in accessible locations only

Design Features:

- **Machined one-piece brass body** provides strength, durability and long-lasting performance
- **Easy-to-remove handle** with screw attachment protects against accidental stop operation during rough-ins
- **Precision-machined brass ball** is specially engineered and mated with PTFE seats to provide smooth operation without freeze ups even after long periods of non-use
- **Two high-performance o-rings** withstand high temperatures and corrosion from harsh water environments
- **Blow-out proof brass stem** is assembled from the inside out with two o-rings to ensure safe, reliable performance
- **Plated stem** provides corrosion resistance and prevents o-ring damage after long periods of non-use
- **Metal handle** is designed for durability, corrosion resistance, and a sleek appearance
- **100% Leak tested**
- **No Lead**



Operating Specifications:

Temperature: 40° - 180° F
Pressure: 125 PSI maximum

Standard

STOP MATERIAL SPECIFICATIONS	
Body	Brass or brass, plated
Stem	Brass, chrome plated
Handle	Zinc die cast, plated
Handle Screw	Steel, zinc plated
O-ring	Rubber
Ball	Brass, chrome plated
Seat	PTFE
Compression Sleeve	Brass
Compression Nut	Brass or brass, plated
Extension Tube	Copper, plated
Bell Escutcheon	Steel, plated

Compliant

STOP MATERIAL SPECIFICATIONS	
Body	Compliant brass or compliant brass, plated
Stem	Compliant brass, chrome plated
Handle	Zinc die cast, plated
Handle Screw	Steel, zinc plated
O-ring	Rubber
Ball	Compliant brass, chrome plated
Seat	PTFE
Compression Sleeve	Brass
Compression Nut	Brass or brass, plated
Extension Tube	Copper, plated
Bell Escutcheon	Steel, plated

This specification and all information contained herein is the confidential and exclusive property of BrassCraft Manufacturing, and shall not be disclosed to others without the written consent of BrassCraft Mfg. This specification must be returned to BrassCraft Mfg if requested.



KTCS41 1/4 Turn Straight Ball Stop - Sweat x Compression With 5" Sweat Extension

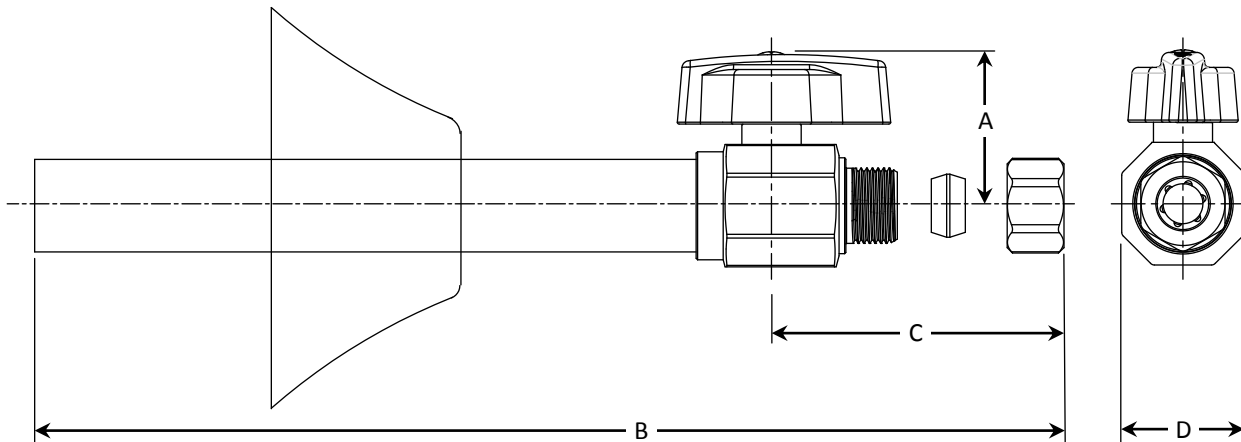
Standard Part Listing:

- KTCS41 C 1/2" nom sweat x 3/8" OD compression, chrome plated
- KTCS41B C 1/2" nom sweat x 3/8" OD compression, chrome plated
- KTCS41B BRL 1/2" nom sweat x 3/8" OD compression, polished brass PVD
- KTCS41B BZ 1/2" nom sweat x 3/8" OD compression, oil rubbed bronze
- KTCS41B NS 1/2" nom sweat x 3/8" OD compression, satin nickel

Compliant Part Listing:

- KTCS41X C 1/2" nom sweat x 3/8" OD compression, chrome plated
- KTCS41BX C 1/2" nom sweat x 3/8" OD compression, chrome plated

PART DIMENSIONS (Inches)				
Model	DIM A	DIM B	DIM C	DIM D
KTCS41	1.14	6.66	1.20	.91



Listings & Certifications:

- IAPMO listed to ASME A112.18.1 / CSA B125.1 (File # 0645)
- CSA listed to ASME A112.18.1 / CSA B125.1 (File # 204593)
- Compliant product CSA listed to Low Lead Content Certification Program – Plumbing Products Class 6853-01



This specification and all information contained herein is the confidential and exclusive property of BrassCraft Manufacturing, and shall not be disclosed to others without the written consent of BrassCraft Mfg. This specification must be returned to BrassCraft Mfg if requested.

BrassCraft®