

| | | | |
|--------------|-------|------|-------|
| Item No.: | _____ | Qty. | _____ |
| Model No.: | _____ | | |
| Project No.: | _____ | | |



12" Standard Series Sinks

12" Deep Standard Series Two Compartment Stainless Steel Sinks

- 2C18X18-0X**
- 2C18X24-0X**
- 2C24X24-0X**

Options

- Faucets
- Tub Accessories
- Undershelves
- Rotary Drain Options
- H-Frame Stainless Steel Legs
- Stainless Steel Feet Options (bullet & flange styles)

Specifications

12" Standard Series Sink, with two compartments, no drainboards, 10" backsplash, 16 gauge, 300 series stainless steel top and bowl, galvanized legs & adjustable feet, raised 1-1/2" rolled edge, includes 3-1/2" basket strainer, NSF approved

Features

- 16 Ga. stainless steel
- Welded construction for consistent metal gauge thickness throughout
- 12" (304.8 mm) deep tubs with 3/4" (19.1 mm) coved radius tub corners
- 10" (254 mm) backsplash with tile ledge for easy installation
- Raised 1-1/2" (38.1 mm) diameter rolled edge
- 3-1/2" (88.9 mm) drain with basket strainers included
- 1-5/8" (41.3 mm) galvanized legs with 1" (25.4 mm) adjustable plastic feet
- 2" (50.8 mm) divider between each tub

Materials

- Sink & Bowl: 16 Ga. 300 series stainless steel
- Top: Backsplash is 16 gauge 300 series stainless steel.
- Legs: All sinks furnished with 1-5/8" (41.3 mm) diameter heavy gauge galvanized tubing with plated galvanized leg gussets and high impact corrosion resistant fully adjustable 1" (25.4 mm) feet.

Mechanical

- 1-1/8" (28.6mm) faucet holes on 8" (203.2mm) centers
- 3-1/2" (88.9mm) waste drain opening

Flyer Product

In keeping with our policy of continuing product improvement, Elkay SSP reserves the right to change product specifications without notice.



AUTOQUOTES



This specification describes an Elkay SSP product with design, quality and functional benefits to the user. When making a comparison of other producers' offerings, be certain these features are not overlooked.

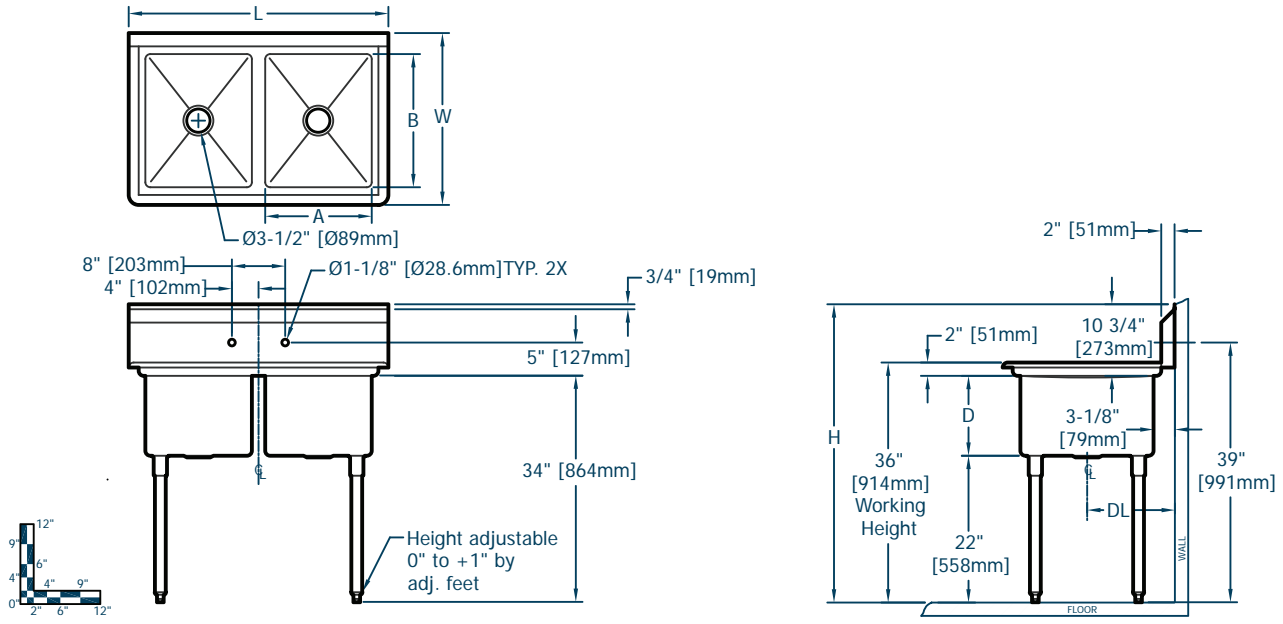
Elkay SSP
 421 N. Freya St.
 Spokane, WA 99205
 Phone: 800-726-0553 Fax: 509-535-1493

Website: www.sspinc.net
 Email: sspsales@elkay.com
 ©2011 SSP INC.



Item No.: _____ Qty. _____
 Model No.: _____
 Project No.: _____

12" Standard Series Sinks
 12" Deep Standard Series Two Compartment Stainless Steel Sinks



| 12" Standard Series Sinks | | | | | | | | | | | | | | | | | | | |
|---------------------------|-----------------|-----|---------------|-----|-------|-----|--------------|------|-------|-----|--------|------|------------|---------|-------|----------|--------|-----|----|
| Model Number | Bowl Dimensions | | | | | | Overall Size | | | | | | Drainboard | | Drain | | Weight | | |
| | Width | | Front-to-Back | | Depth | | Length | | Width | | Height | | Location | Size DB | | Location | lbs. | kg | |
| | A | mm | B | mm | D | mm | L | mm | W | mm | H | mm | | in. | mm | in. | mm | | |
| 2C 18 X 18 0 X | 18 | 457 | 18 | 457 | 12 | 305 | 43 | 1092 | 23.8 | 605 | 44.8 | 1137 | No | 0 | 0 | 12 | 305 | 138 | 63 |
| 2C 18 X 24 0 X | 18 | 457 | 24 | 610 | 12 | 305 | 43 | 1092 | 29.8 | 757 | 44.8 | 1137 | No | 0 | 0 | 15 | 381 | 152 | 69 |
| 2C 24 X 24 0 X | 24 | 610 | 24 | 610 | 12 | 305 | 55 | 1397 | 29.8 | 757 | 44.8 | 1137 | No | 0 | 0 | 15 | 381 | 182 | 82 |

